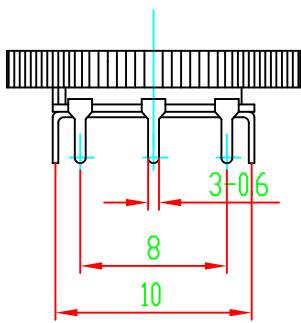
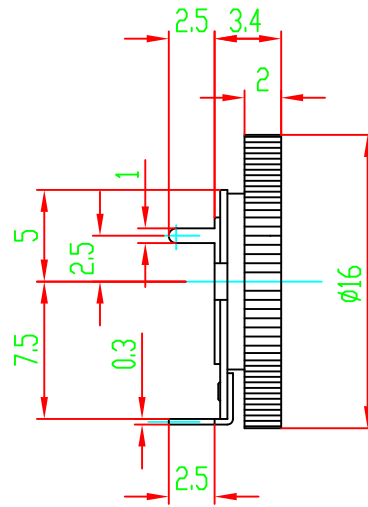
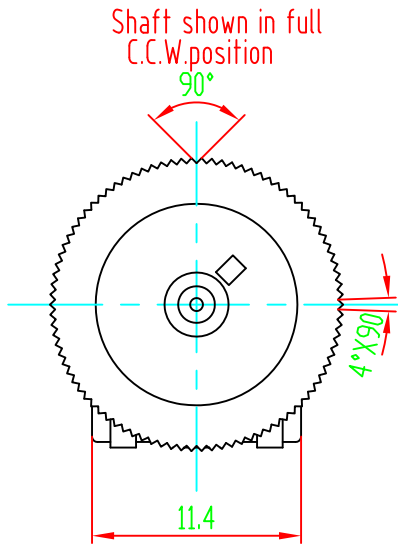
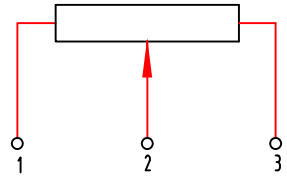
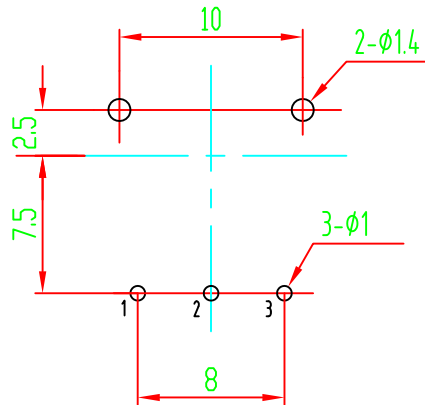


Model	R0141-2
Customer P/N	
1 Electrical characteristics:	
Item(项目)	Performance (性能)
1.1 Total Resistance 阻值	1K Ω ~1M Ω
1.2 Rated power/功率	Linear Taper B:0.05W Other Tapers:0.025W
1.3 Resistance Taper	A, B, C
1.4 Rotational noise/动噪音	Less than 100mV
1.5 Insulation resistance/绝缘阻值	>100M Ω At 100V DC
1.6 Voltage proof/耐电压	1 Minute At 100V AC
1.7 Tracking error/同步	/
1.8 Residual resistance/残留阻值	20 Ω max.
1.9 Toerance/公差	\pm 20%
2 Mechanical characteristics	
2.1 Dimension/尺寸	See the drawing
2.2 Total rotational angle/旋转角度	270 \pm 5 $^{\circ}$
2.3 Rotation torque/旋转力矩	10~90gf. cm
2.4 Shaft stopper strength/止档力矩	0.8Kgf. cm Min
2.5 Shaft push pull strength/轴推拉强度	Push:0.5Kgf. Min;Pull:0.2Kgf Min
2.6 Operating Temperature Range	-10 $^{\circ}$ C ~+70 $^{\circ}$ C
2.7 Rotary life/旋转寿命	10,000 cycles



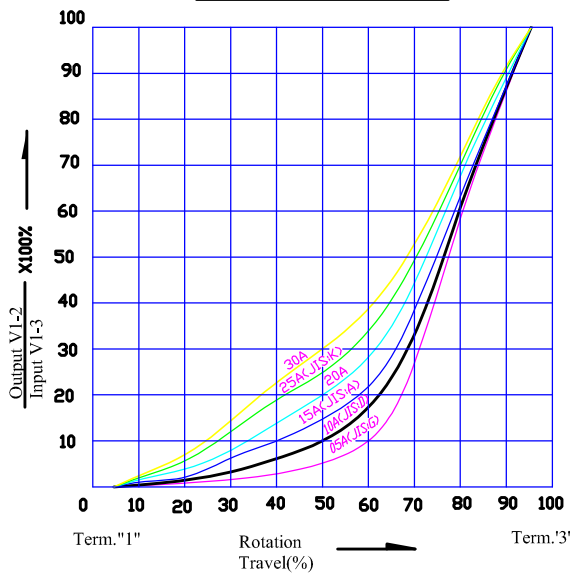
Mounting Hole



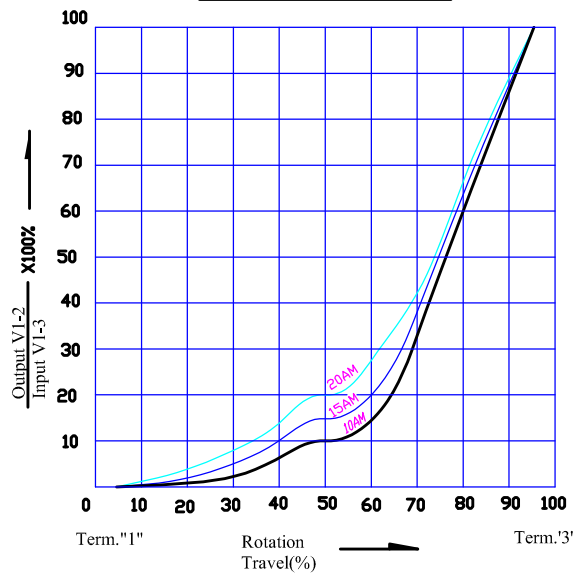
2				5			
1				4			
	DATE	REVISION	APPROVED	3			
			MODER:				DRAWING NO:
DWN	DHKD	APPD					

Pattern of resistance curve

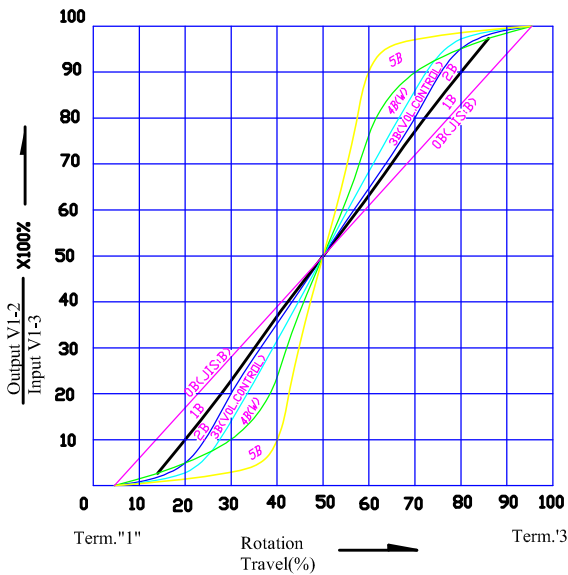
TAPERS (A) SERIES



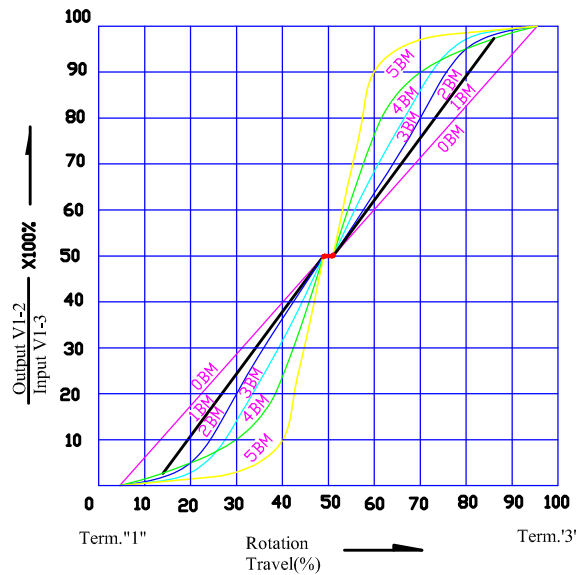
TAPERS (A) WITH 50% TAP



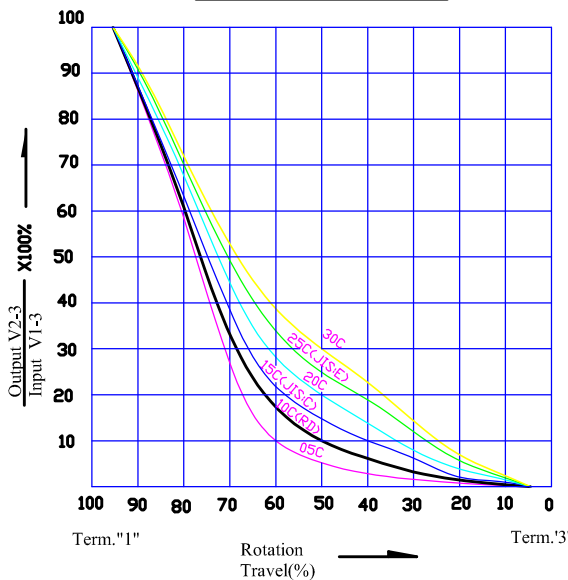
TAPERS (B) SERIES



TAPERS (B) WITH 50% TAP



TAPERS (C) SERIES



TAPERS (M) & (N)

