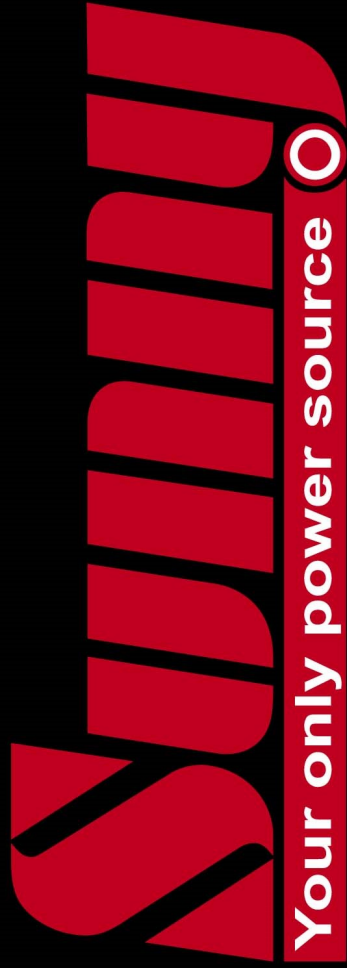


2021



The Professional Power Supply Designer and Manufacturer!



Wall Mount Power Supplies



[SYS1052-W2E series](#)

[SYS1001-W2E series](#)

[SYS1001-Wxx 6W series](#)

[SYS1121-Wxx 6W series](#)

[SYS1638-Wxx series](#)

[SYS1058-W2E series](#)

Coming soon

[SYS1573-Wxx series](#)

Coming soon

[SYS1561-Wxx series](#)

[SYS1001-Wxx 12W series](#)

[SYS1121-Wxx 12W series](#)

[SYS1381N-Wxx series](#)

[SYS1529-Wxx series](#)

[SYS1530-Wxx series](#)

[SYS1128-W2E series](#)

Coming soon

[SYS1888-Wxx/T2 series](#)

[SYS1308-Wxx series](#)

[SYS1308N-Wxx series](#)

[SYS1531-Wxx series](#)

Coming soon

[SYS1541-Wxx series](#)

[SYS1308N special](#)

[SYS1588-W2E 30W series](#)

[SYS1588-Wxx 30W series](#)

[SYS1588-W2E 40W series](#)

Coming soon

[SYS1588-Wxx 40W series](#)

[SYS1621-Wxx series](#)

[SYS1621-W2E 20W series](#)

[SYS1621-W2E 30W series](#)

LED Drivers



[SYL1460-Wxx series](#)

Car adapters



[RY-CC24U2 \(Dual Car Charger 1205\)](#)

Power cords | Cables | Connectors



[IEC320-C5 series](#)

[IEC320-C7 series](#)

[IEC320-C13 series](#)

[Extension cable Plug](#)

[Extension cable Jack](#)

[Extension cable Jack to Plug](#)

[Extension cable Plug to Plug](#)

[Extension cable Switch](#)

[Extension cable USB](#)

[Cable Splitter](#)

[Cable Splitter Chain](#)

[Reduction connectors](#)

Desktop Power Supplies



[PoE-M3 series](#)

Clearance sale

[SYS1001-T2 6W series](#)

[SYS1001-T3 6W series](#)

[SYS1001-T2 12W series](#)

[SYS1001-T3 12W series](#)

[SYS1544-T2 series](#)

[SYS1544-T3 series](#)

[SYS1319-T2 series](#)

[SYS1319-T3 series](#)

[SYS1588-T2 30W series](#)

[SYS1588-T3 30W series](#)

[SYS1546-T2 series](#)

[SYS1546-T3 series](#)

[SYS1588-T2 40W series](#)

[SYS1588-T3 40W series](#)

[SYS1548-T2 series](#)

[SYS1548-T3 series](#)

[ATS-65W series](#)

[SYS1575-M3 series](#)

[SYS1576-M3 series](#)

[STD-120W series](#)

[ATS-160W series](#)

[ATS-200W series](#)

Content

Country of Origin : China
 Operating Temperature : 0~40 [°C]
 Dimension : 52 × 37 × 62 [mm]
 Efficiency level (ErP) : VI



Approvals / Marks :



Specifications

Basic Models	Voltage DC [4.0V~24V]	Loading [A]	Max. Power [W]	Ripple / Noise [mV] p-p	Connector [mm]
SYS1052-0605-W2E	5	0~1.2	6	200	2.1x5.5x11
SYS1052-0606-W2E	6	0~1.0	6	200	2.1x5.5x11
SYS1052-06075-W2E	7,5	0~0.8	6	200	2.1x5.5x11
SYS1052-0609-W2E	9	0~0.66	6	200	2.1x5.5x11
SYS1052-0312-W2E	12	0~0.25	3	200	2.1x5.5x11
SYS1052-0612-W2E	12	0~0.5	6	200	2.1x5.5x11
SYS1052-0615-W2E	15	0~0.4	6	200	2.1x5.5x11
SYS1052-0618-W2E	18	0~0.33	6	200	2.1x5.5x11
SYS1052-0624-W2E	24	0~0.25	6	200	2.1x5.5x11

Features:

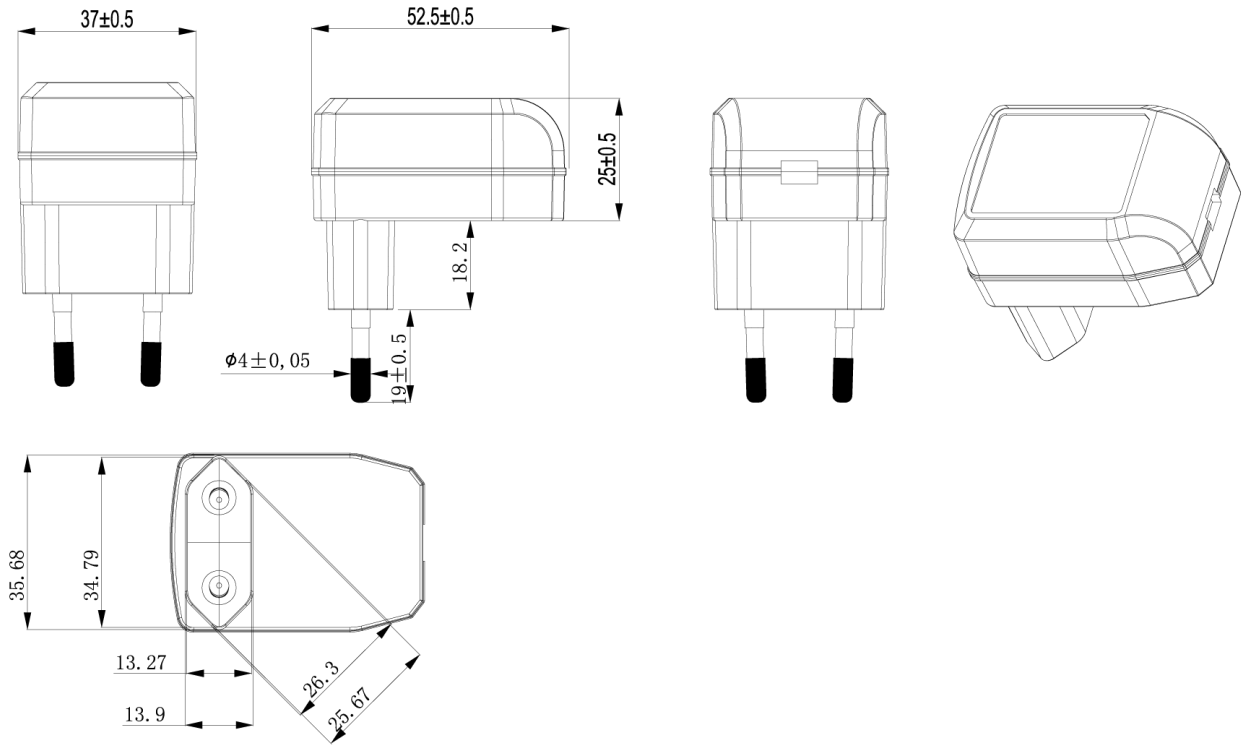
Certified plugs Wxx = W2E - Europe | W2 - USA,Canada,Japan | W3U - UK | W2A - Australia | W2C - China

For all models, the minimum rising step of output voltage is 0.1V - 4.0V~24V 6W max | Private Label Marking Available | 2 Years Warranty

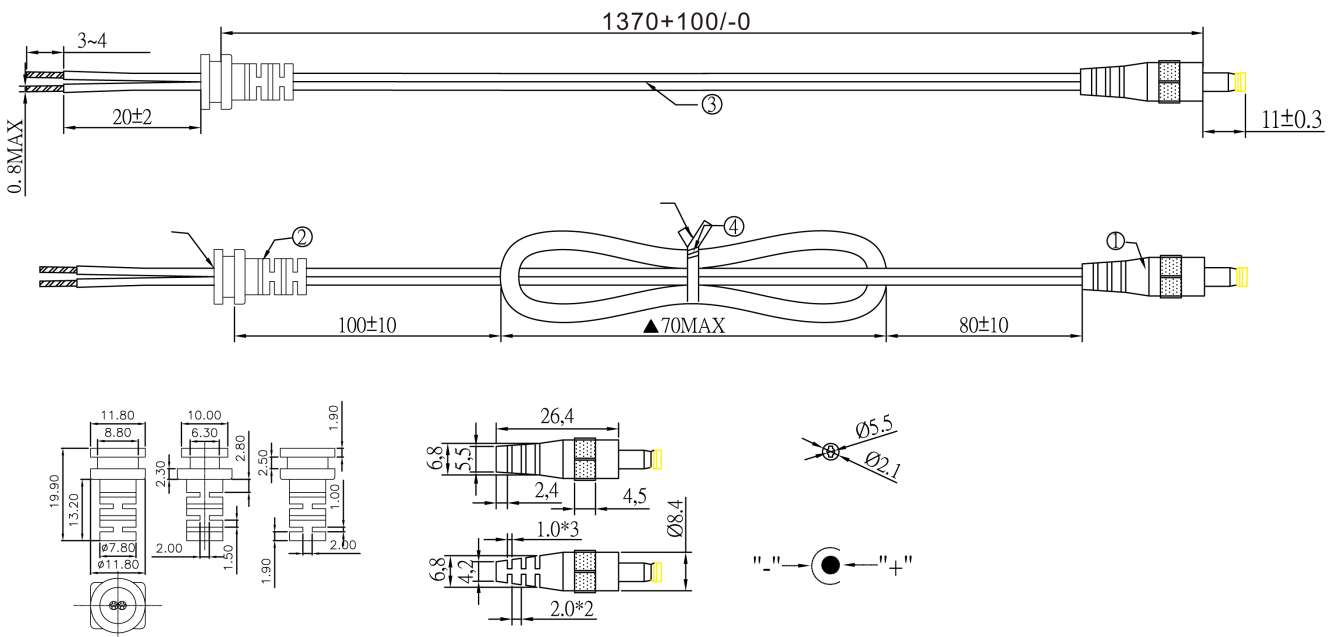
OUTPUT		CE	
Turn delay	5000ms max@AC low line input@output full load	EMC	2014/30/EU
Hold up time	8ms min@AC nominal input@output full load	LVD	2014/35/EU EN 60950-1:2006+A11+A1+A12+A2 EN 62368-1
Efficiency (Normal)	Meet DOE level VI	SAFETY	
Burn in limit	220VAC 80% Load (Ref) 4 hours & 40°C + 5°C -0°C	GS CE CB	
Power consumption	0.1W max. At AC nominal input@output min load	OTHERS	
INPUT		Dielectric Strength (Hi-pot)	I/P-O/P:3000VAC
Voltage	(90~264)VAC	M.T.B.F	500,000 Calculated Hours at 25°C, by Telcordia SR-332
Frequency	(47~63)hz	Cable Length	1370mm (4.5 feet) standard cable or as required
Current	0.2A rms@AC low line input and DC output full load	Cooling method	Natural Convection Cooling
Inrush Surge Current (cold start)	40/60A max@power supply cold start,ambient temperature 25°C @115Vac/230Vac nominal AC input	Housing material	PC
leakage current	< 5 mA max	Temperature coefficient:	< ±0.5% / °C
PROTECTION		ENVIRONMENT	
Over current/ Short protection	The power supply will be auto recovered when over current or short circuit faults remove (fold back). Is defined as any output impedance of less than 0.1Ω.The power supply will be auto recovered when short circuit faults remove	Temperature	Operating: 0~40°C / Storage: -20~85°C
Over Voltage	The power supply will not be auto recovered when faults remove 110%-150%. (Voltage limit)	Humidity	Operating: 8%~90%RH / Storage: 5%~95% RH non condensing
Input protection	F1:1A 250V Fuse The power supply shall be protected against power line surges and any abnormal condition	WEIGHT	
No Load protection	The power supply is provided with no load operation to prevent the power supply and system from damage.	NW: 56g/pc	
Protection class	II	GW: 73g/pc	
		PACKING	
		Box	100 pcs/1 box

Mechanical specification:

W2E - Europe version



Cable specification:



Country of Origin : China
 Operating Temperature : 0~40 [°C]
 Dimension : 64 × 27 × 39 [mm]
 Efficiency level (ErP) : VI



Approvals / Marks :



Specifications

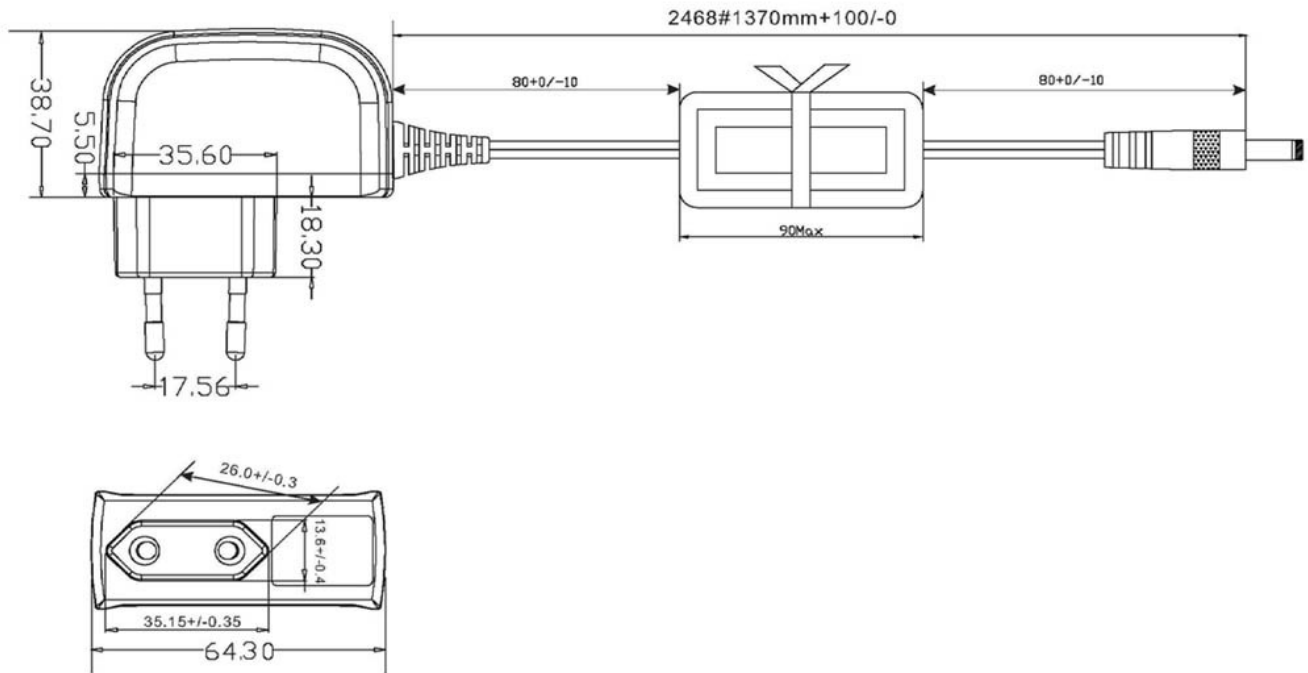
Model	Voltage DC [V]	Loading [A]	Max. Power [W]	Ripple / Noise [mV] p-p	Connector [mm]
SYS1001-0303-W2E	3.3	0~1	3.3	200	2.1x5.5x11

Features:

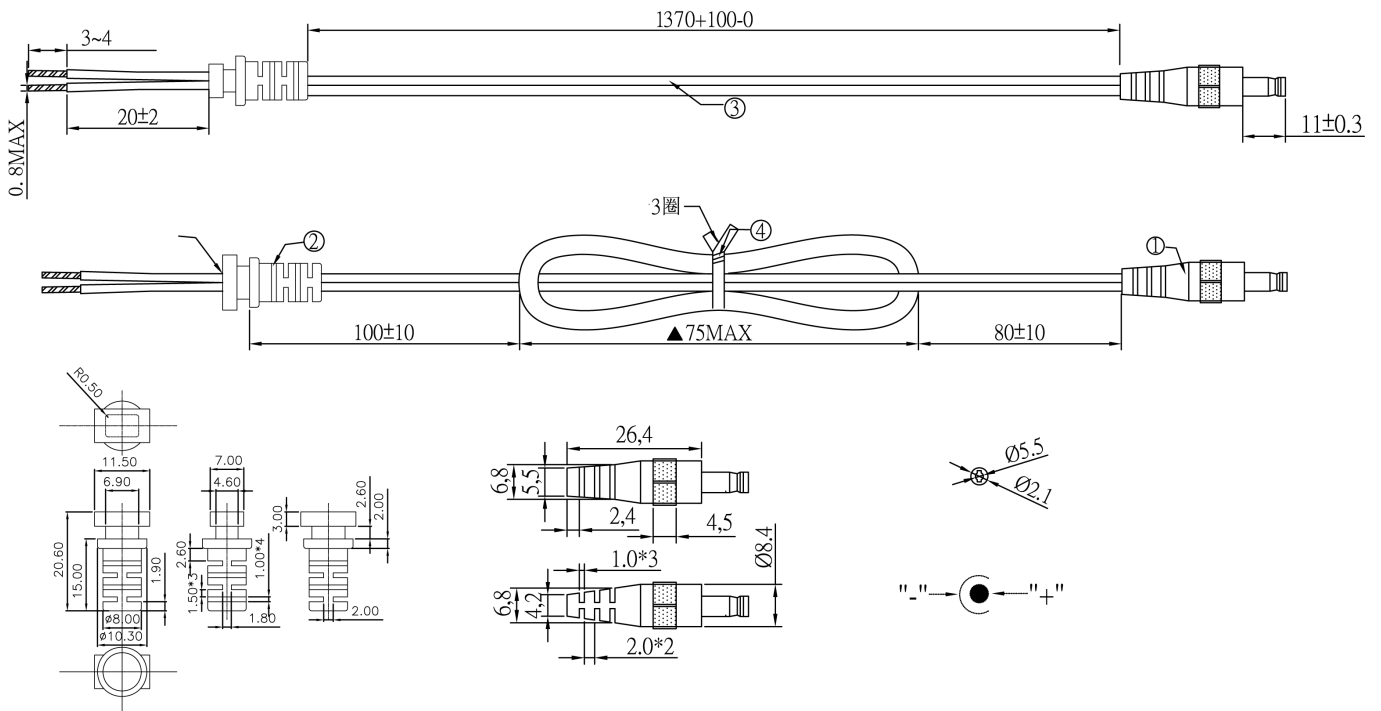
Output connector: standard: 2.1 x 5.5 x 11mm or customer requirement | Regulated Output With Low Ripple Noise | Safety Agency Requirements and EM/EMS Certified
 Private Label Marking Available | Modified and Custom Design Available | 2 Years Warranty

OUTPUT		CE	
Turn delay	3000 ms max @ AC low line input@output full load	EMC	2014/30/EU
Hold up time	8ms min@AC nominal input@output full load (>half cycle)	LVD	2014/35/EU EN 60950-1:2006+A11+A1+A12+A2 EN 62368-1
Efficiency (Normal)	>70.4%@115v/60HZ,230V/50HZ input &Full load	SAFETY	
Burn in limit	Full load 2 Hours	GS CE CB EAC	
Power consumption	Less than 0.1W rms max. At AC nominal input@output no load	OTHERS	
INPUT		Dielectric Strength(Hi-pot)	Primary to Secondary:3000VAC 10mA/60S
Voltage	(90~264)VAC	M.T.B.F	500,000 Calculated Hours at 25°C, by Telcordia SR-332
Frequency	(47~63)hz	Cable Length	1370mm (4.5 feet) standard cable or as required
Current	0.5A rms @ AC low line input and DC output full load	PLD (power line disturbance)	Line power surge Line voltage SAG-more info on request
Inrush Surge Current (cold start)	30/40A max@power supply cold start,ambient temperature 25°C @100Vac/230Vac nominal AC input	Cooling method	Natural Convection Cooling
leakage current	5mA Max	Housing material	PC
PROTECTION		Temperature coefficient:	< ±0.5% / °C
Over current/ Short protection	The power supply will self-protect any output to ground and auto recovery when abnormal circuit faults remove. An output short circuit is defined as any output impedance of less than 0.1 ohms.	ENVIRONMENT	
Over Voltage	The power supply will be auto recovered when faults remove	Temperature	Operating: 0~40°C / Storage: -20~85°C
Input protection	The switching adaptor use 0.68/4.7/10 Ω resistance fuse.	Humidity	Operating: 8%~90%RH / Storage: 5%~95% RH non condens-ing
No Load protection	The power supply is provided with no load operation to prevent the power supply and system from damage.	WEIGHT	
Protection class	II	1PC	NW: 65g/pc
			GW: 80g/pc
		PACKING	
		PE plastic bag	100 pcs /1 box

Mechanical specification:



Cable specification:



Country of Origin : China
 Operating Temperature : 0~40 [°C]
 Dimension : 73.8 × 44.3 × 28.8 [mm]
 Certified AC Plugs: EU, UK, USA/Japan/Taiwan, Aus, China, Korea
 Efficiency level (ErP) : VI



Approvals / Marks :



Specifications

Model	Voltage DC [V]	Loading [A]	Max. Power [W]	Ripple / Noise [mV] p-p	Connector [mm]
SYS1001-0505-Wxx*	5	0~1.0	5	150	2.1x5.5x11
SYS1001-0608-Wxx*	7,5	0~0.8	6	150	2.1x5.5x11
SYS1001-0609-Wxx*	9	0~0.66	6	150	2.1x5.5x11
SYS1001-0612-Wxx*	12	0~0.5	6	150	2.1x5.5x11
SYS1001-0615-Wxx*	15	0~0.4	6	200	2.1x5.5x11
SYS1001-0618-Wxx*	18	0~0.33	6	200	2.1x5.5x11
SYS1001-0624-Wxx*	24	0~0.25	6	240	2.1x5.5x11

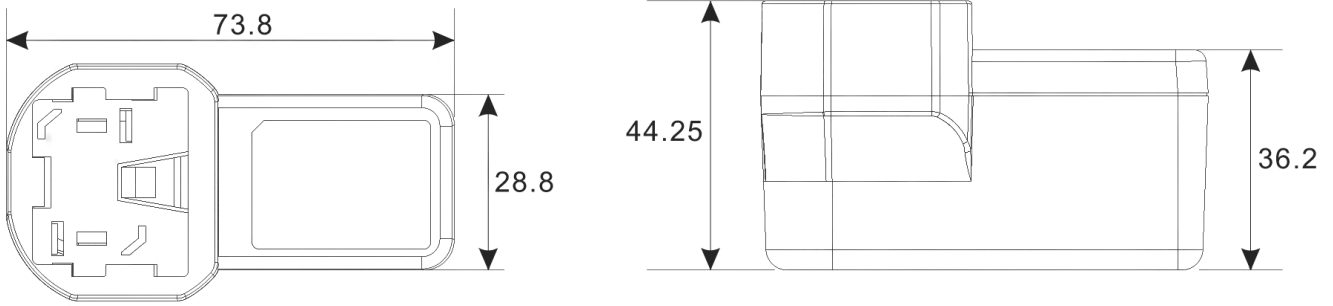
Features:

Certified plugs Wxx = W2E - Europe | W3U - England | W2 - USA, Canada, Japan,Taiwan | W2A - Australia | W2C - China | W2K - Korea
 Output connector: standard: 2.1 x 5.5 x 11mm or customer requirement | Regulated Output With Low Ripple Noise | Safety Agency Requirements and EMI/EMS Certified
 Private Label Marking Available | Modified and Custom Design Available | 2 Years Warranty

OUTPUT	
Turn delay	3000ms max@AC low line input@output full load
Hold up time	8ms min@AC nominal input@output full load
Efficiency (Normal)	>72%@115v/60HZ,230V/50HZ input & Full load
Transient response (dv,tmax)	0.4V dv max At AC nominal input loading from 20%load to 80% load 16ms tmax Dynamic rise time 10 us max,duty 40ms max,Dynamic load step is slew rate of 0.5A/us
Power out.Limit	6W
Burn in limit	Full load 2 Hours
Power consumption	0.1W max. At AC nominal input@output min load
INPUT	
Voltage	(90~264)VAC
Frequency	(47~63)hz
Current	0.5A rms@AC low line input and DC output full load
Inrush Surge Current (cold start)	30/40A max@power supply cold start,ambient temperature 25°C @115Vac/230Vac nominal AC input
leakage current	0.25mA Max
PROTECTION	
Over current/ Short protection	The power supply will be auto recovered when over current or short circuit faults remove (fold back). Is defined as any output impedance of less than 0.1Ω. The power supply will be auto recovered when short circuit faults remove
Over Voltage	The power supply will not be auto recovered when faults remove 110%-150%. (Voltage limit)
Input protection	F1 1A/250V Fuse The power supply shall be protected against power line surges and any abnormal condition
No Load protection	The power supply is provided with no load operation to prevent the power supply and system from damage.
Protection class	II

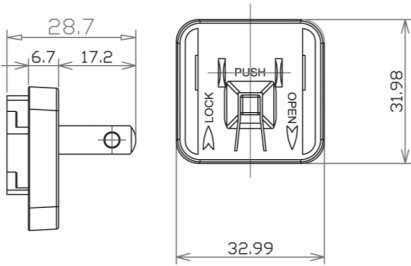
CE	
EMC	2014/30/EU
LVD	2014/35/EU EN 60950-1:2006+A11+A1+A12+A2 EN 62368-1
SAFETY	
cTUVus FCC GS CE CB RCM SAA PSE EAC LVD UKCA	
OTHERS	
Dielectric Strength (Hi-pot)	I/P-O/P:3000VAC
M.T.B.F	500,000 Calculated Hours at 25°C, by Telcordia SR-332
Cable Length	1370mm (4.5 feet) standard cable or as required
PLD (power line disturbance)	Line power surge Line voltage SAG-more info on request
Cooling method	Natural Convection Cooling
Housing material	PC + ABS
Temperature coefficient:	< ±0.5% / °C
ENVIRONMENT	
Temperature	Operating: 0~40°C / Storage: -20~85°C
Humidity	Operating: 8%~90%RH / Storage: 5%~95% RH non condensing
WEIGHT	
NW:	80g/pc + plug
GW:	95g/pc + plug
PACKING	
Box	100 pcs/1 box

Mechanical case specification:

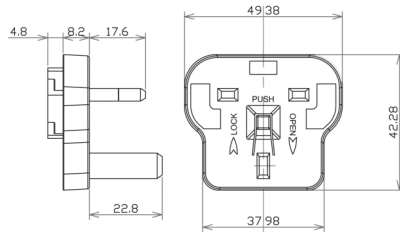


Mechanical specification (country housing):

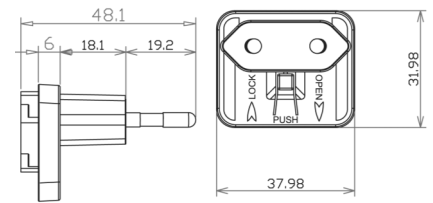
US / Japan type (W2)



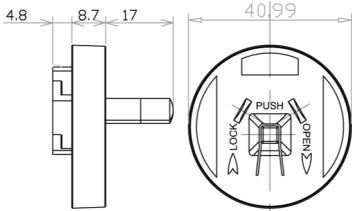
UK type (W3U)



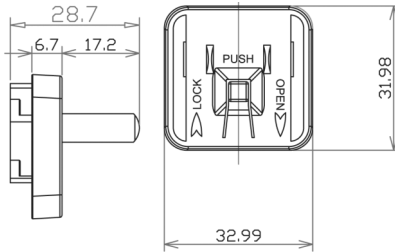
Europe type (W2E)



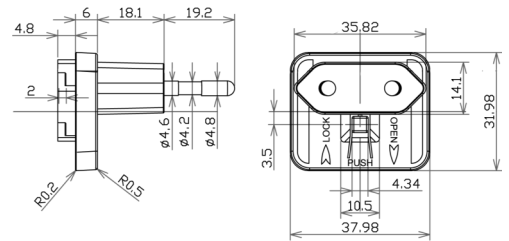
Australia type (W2A)



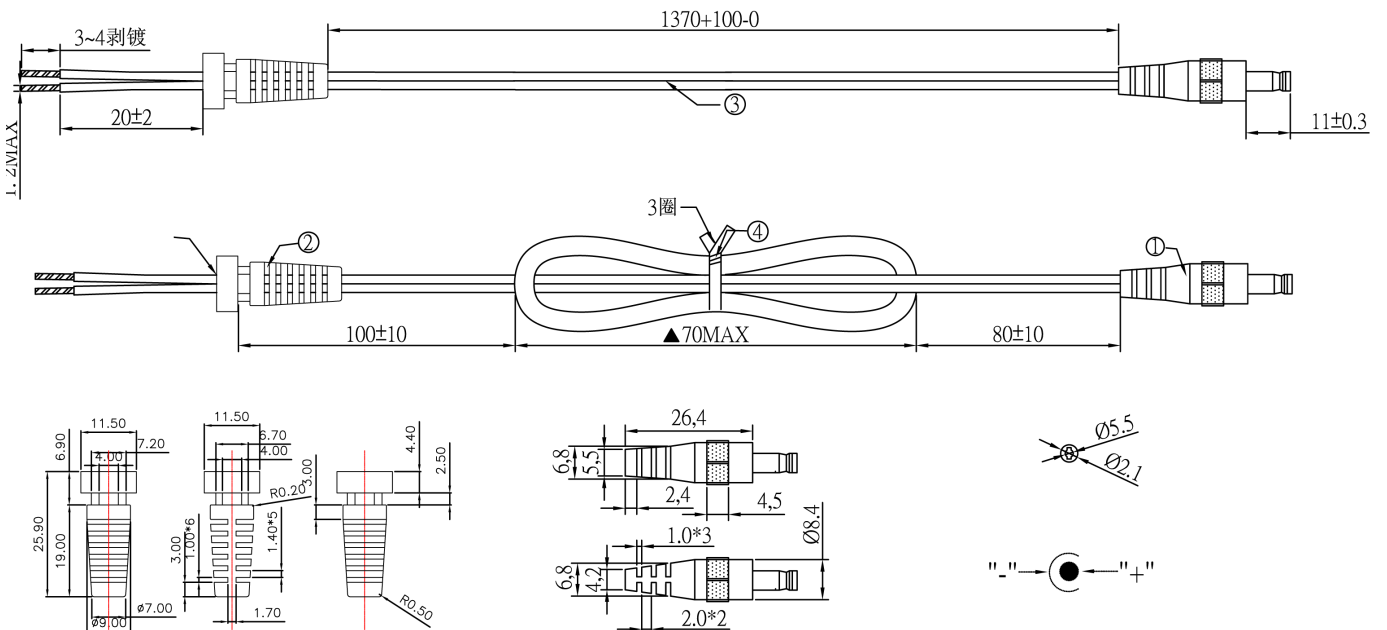
China type (W2C)



Korea type (W2K)



Cable specification:



Country of Origin : China
 Operating Temperature : 0~40[°C]
 Dimension : 68 × 42 × 29 [mm]
 Efficiency level (ErP) : VI



Approvals / Marks :



Specifications

Basic Models	Voltage DC [4.0V~24V]	Loading [A]	Max. Power [W]	Ripple / Noise [mV] p-p	Connector [mm]
SYS1121-0605-Wxx	5	0~1.2	6	200	2.1x5.5x11
SYS1121-0606-Wxx	6	0~1.0	6	200	2.1x5.5x11
SYS1121-06075-Wxx	7,5	0~0.8	6	200	2.1x5.5x11
SYS1121-0609-Wxx	9	0~0.66	6	200	2.1x5.5x11
SYS1121-0612-Wxx	12	0~0.5	6	200	2.1x5.5x11
SYS1121-0615-Wxx	15	0~0.4	6	200	2.1x5.5x11
SYS1121-0618-Wxx	18	0~0.33	6	200	2.1x5.5x11
SYS1121-0624-Wxx	24	0~0.25	6	200	2.1x5.5x11

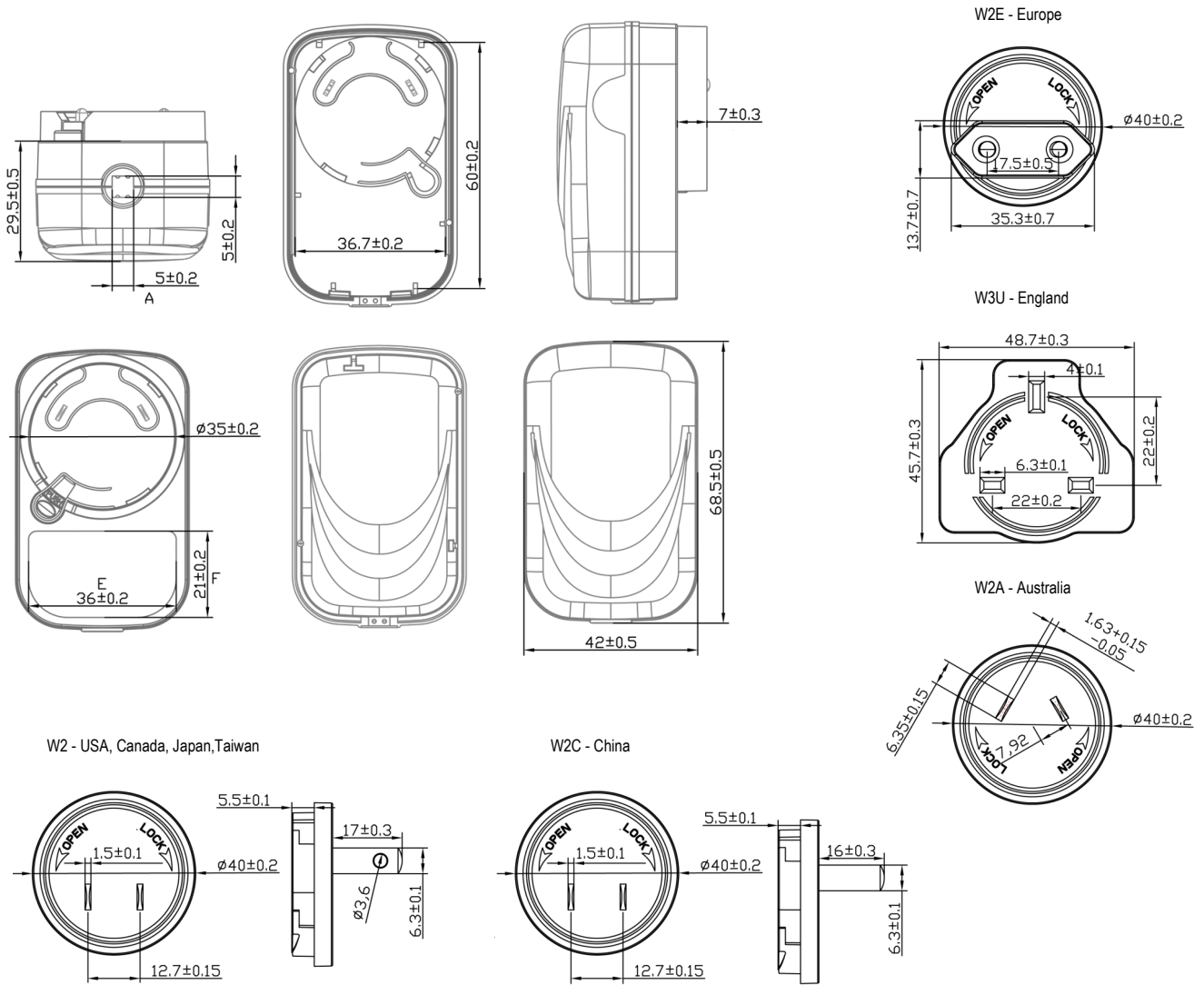
Features:

Certified plugs Wxx = W2E - Europe | W3U - England | W2 - USA, Canada, Japan, Taiwan | W2A - Australia | W2C - China

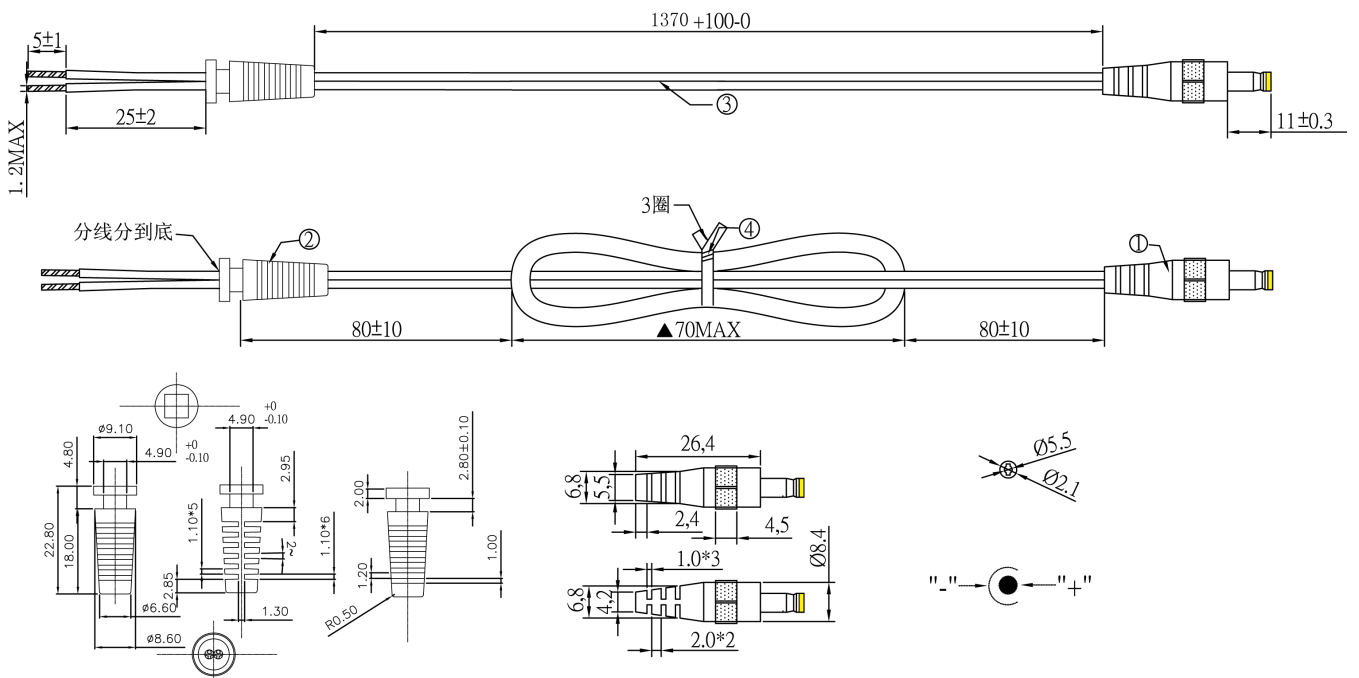
For all models, the minimum rising step of output voltage is 0.1V - 4.0V~24V 6W max | Private Label Marking Available | 2 Years Warranty

OUTPUT		CE	
Turn delay	3000ms max@AC low line input@output full load	EMC	2014/30/EU
Hold up time	8ms min@AC nominal input@output full load	LVD	2014/35/EU EN 60950-1:2006+A11+A1+A12+A2 EN 62368-1
Efficiency (Normal)	Meet DOE level VI	SAFETY	
Burn in limit	220VAC 80% Load (Ref) 4 hours & 40°C + 5°C -0°C	cUL FCC GS CE CB RCM SAA PSE EAC LVD UKCA BS BSMI CCC	
Power consumption	0.1W max. At AC nominal input@output min load	OTHERS	
INPUT		Dielectric Strength (Hi-pot)	I/P-O/P:3000VAC
Voltage	(90~264)VAC	M.T.B.F	500,000 Calculated Hours at 25°C, by Telcordia SR-332
Frequency	(47~63)hz	Cable Length	1370mm (4.5 feet) standard cable or as required
Current	0.5A rms@AC low line input and DC output full load	Cooling method	Natural Convection Cooling
Inrush Surge Current (cold start)	40/60A max@power supply cold start, ambient temperature 25°C @115Vac/230Vac nominal AC input	Housing material	PC
leakage current	< 5 mA max	Temperature coefficient:	< ±0.5% / °C
PROTECTION		ENVIRONMENT	
Over current/ Short protection	The power supply will be auto recovered when over current or short circuit faults remove (fold back). Is defined as any output impedance of less than 0.1Ω. The power supply will be auto recovered when short circuit faults remove	Temperature	Operating: 0~40°C / Storage: -20~85°C
Over Voltage	The power supply shall be self-recovering when the fault condi-	Humidity	Operating: 8%~90%RH / Storage: 5%~95% RH non condensing
Input protection	F1:1A 250V Fuse The power supply shall be protected against power line surges and any abnormal condition	WEIGHT	
No Load protection	The power supply is provided with no load operation to prevent the power supply and system from damage.	NW: 69 g/pc (without plugs) + W2E plug 24g; W3U plug 19g; W2 plug 13g; W2A plug 13g	
Protection class	II	GW: 89 g/pc (without plugs)	
		PACKING	
		Box	100 pcs/1 box

Mechanical specification:



Cable specification:



Country of Origin : China
 Operating Temperature : 0~40 [°C]
 Efficiency level (ErP) : VI



Approvals / Marks :



Specifications

Model	Voltage DC [V]	Loading [A]	Max. Power [W]	Ripple / Noise [mV] p-p	Connector [mm]
SYS1638-0605-Wxx	5	0~1.2	6	250	2.1x5.5x11
SYS1638-0605-Wxx	5	0~1.2	6	250	Mini USB
SYS1638-0605-Wxx	5	0~1.2	6	250	Micro USB
SYS1638-0605-Wxx	5	0~1.2	6	250	USB inlet
SYS1638-0612-Wxx	12	0~0.5	6	200	2.1x5.5x11

Features:

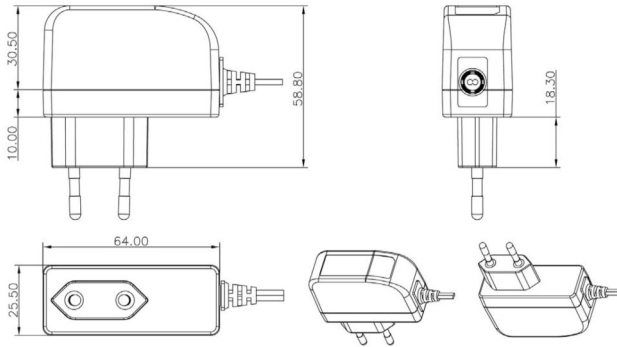
Certified plugs Wxx = W2E - Europe | W3U - England | W2 - USA, Canada, Japan, Taiwan | W2C - China | W2K - Korea
 Output connector: standard: 2.1 x 5.5 x 11mm or customer requirement | Regulated Output With Low Ripple Noise | Safety Agency Requirements and EMI/EMS Certified
 Private Label Marking Available | Modified and Custom Design Available | 2 Years Warranty

OUTPUT	
Turn delay	3000ms max@AC low line input@output full load
Hold up time	5ms min@AC nominal input@output full load
Efficiency (Normal)	>79.03%@115v/60HZ,230V/50HZ input & Full load
Transient response (dv,tmax)	0.6V dv max At AC nominal input loading from 20%load to 80% load Dynamic rise time 10 us max,duty 40ms max,Dynamic load step is slew rate of 0.5A/us
Power out.Limit	6W
Burn in limit	Full load 2 Hours
Power consumption	0.075W max. At AC nominal input@output min load
INPUT	
Voltage	(90~264)VAC
Frequency	(47~63)hz
Current	0.5A rms@AC low line input and DC output full load
Inrush Surge Current (cold start)	40/60A max@power supply cold start,ambient temperature 25°C @115Vac/230Vac nominal AC input
leakage current	0.25mA Max
PROTECTION	
Over current/ Short protection	The power supply will be auto recovered when over current or short circuit faults remove (fold back). Is defined as any output impedance of less than 0.1Ω. The power supply will be auto recovered when short circuit faults remove
Over Voltage	The power supply will not be auto recovered when faults remove 110%-150%. (Voltage limit)
Input protection	F1 1A/250V Fuse The power supply shall be protected against power line surges and any abnormal condition
No Load protection	The power supply is provided with no load operation to prevent the power supply and system from damage.
Protection class	II

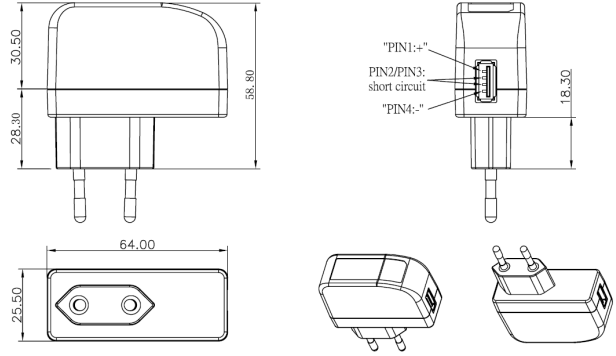
CE	
EMC	2014/30/EU
LVD	2014/35/EU EN 62368-1
SAFETY	
CB CE GS FCC cULus	
OTHERS	
Dielectric Strength(Hi-pot)	Primary to Secondary:4000VAC 10mA/60S
M.T.B.F	500,000 Calculated Hours at 25°C, by Telcordia SR-332
Cable Length	1500mm (5 feet) standard cable or as required
PLD (power line disturbance)	Line power surge Line voltage SAG-more info on request
Cooling method	Natural Convection Cooling
Housing material	PC
Temperature coefficient:	< ±0.5% / °C
ENVIRONMENT	
Temperature	Operating: 0~40°C / Storage: -20~85°C
Humidity	Operating: 8%~90%RH / Storage: 5%~95% RH non condens-ing
WEIGHT	
1PC	NW: 79g/pc
	GW: 95g/pc
PACKING	
PE plastic bag	100 pcs /1 box

Mechanical case specification:

1) SYS1638-series (EU)

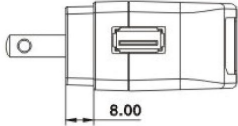


2) SYS1638-series (EU) / USB inlet

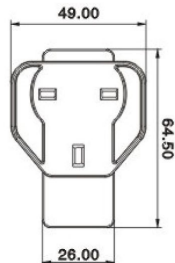


Mechanical specification (country housing):

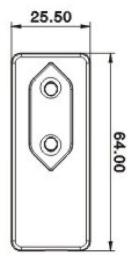
US / Japan type (W2)



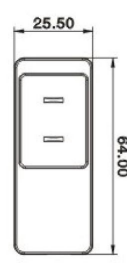
UK type (W3U)



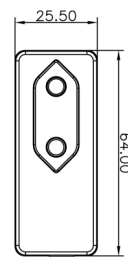
Europe type (W2E)



China type (W2C)

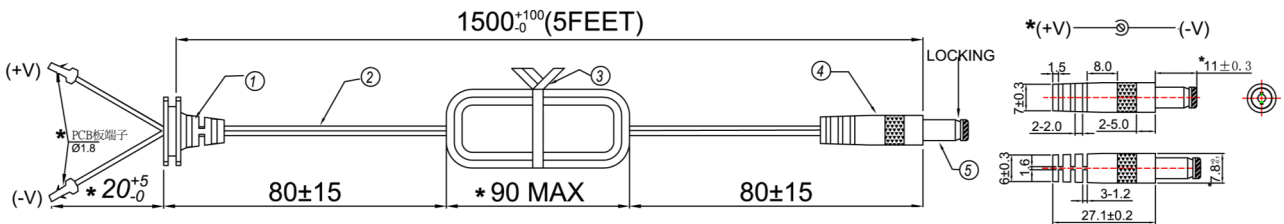


Korea (type W2K)

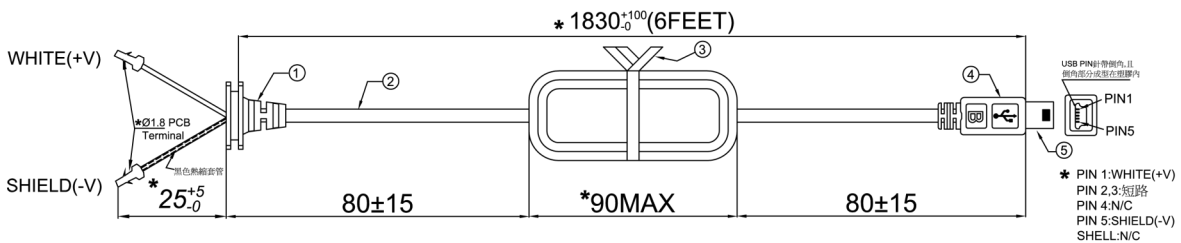


Cable specification:

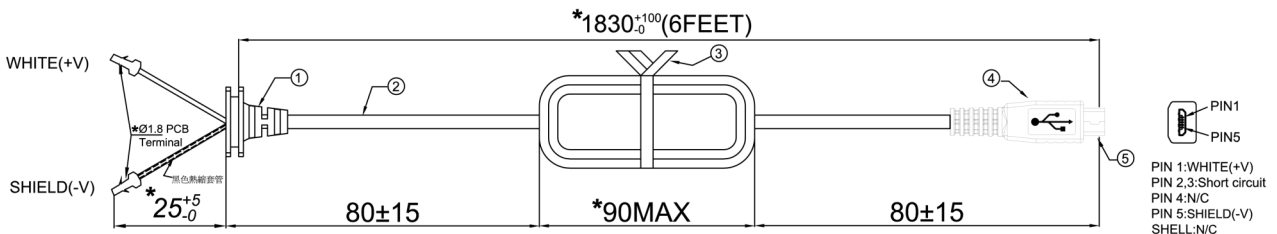
a) 2.1*5.5*11 (2468#22*2C/ 5FT)



b) mini USB (1185#22*1C+SHIELD / 6FT)



c) micro USB (1185#22*1C+SHIELD / 6FT)



Country of Origin : China
 Operating Temperature : 0~40 [°C]
 Dimension : 61 x 40 x 78 [mm]
 Efficiency level (ErP) : VI



Approvals / Marks :



Specifications

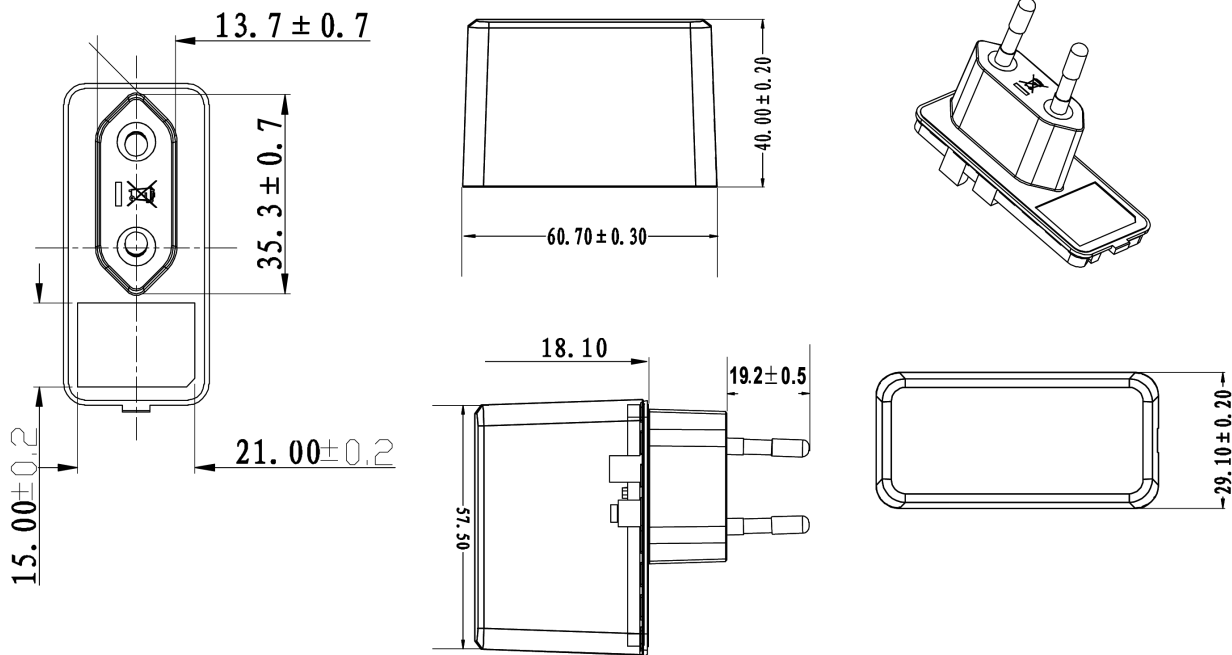
Model	Voltage DC [V]	Loading [A]	Max. Power [W]	Ripple / Noise [mV] p-p	Connector [mm]
SYS1058-0503-W2E	3,3	0~1.5	5	200	2.1x5.5x11
SYS1058-0605-W2E	5	0~1.2	6	200	2.1x5.5x11
SYS1058-0606-W2E	6	0~1	6	200	2.1x5.5x11
SYS1058-0609-W2E	9	0~0.66	6	200	2.1x5.5x11
SYS1058-0612-W2E	12	0~0.5	6	200	2.1x5.5x11
SYS1058-0615-W2E	15	0~0.4	6	200	2.1x5.5x11
SYS1058-0619-W2E	19	0~0.33	6	200	2.1x5.5x11
SYS1058-0624-W2E	24	0~0.25	6	200	2.1x5.5x11

Features:

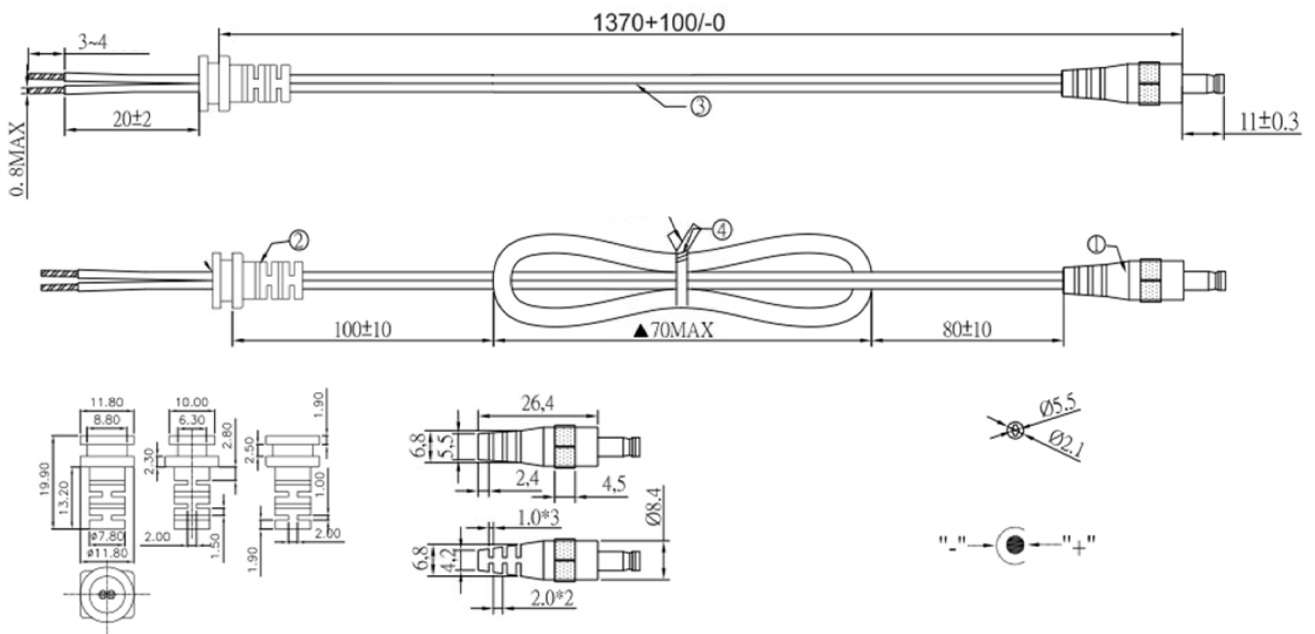
Certified plugs Wxx = W2E - Europe | W3U - England | W2 - USA, Canada, Japan, Taiwan | W2A - Australia | W2C - China | W2K - Korea
 Output connector: standard: 2.1 x 5.5 x 11mm or customer requirement | Regulated Output With Low Ripple Noise | Safety Agency Requirements and EMV/EMS Certified
 Private Label Marking Available | Modified and Custom Design Available | 2 Years Warranty

OUTPUT		CE	
Turn delay	5000ms max@AC low line input@output full load	EMC	EN 55014-1:2017 EN 55014-2: 2015
Hold up time	8ms min@AC nominal input@output full load	LVD	2014/35/EU EN 61558-2-16:2009 + A1:2013
Efficiency (Normal)	>78.88%@115v/60HZ,230V/50HZ input & Full load	SAFETY	
Transient response (dv,tmax)	0.4V dv max At AC nominal input loading from 20%load to 80% load 16ms tmax Dynamic rise time 10 us max,duty 40ms max,Dynamic load step is slew rate of 0.5A/us	CE GS ETL-UL1310 FCC RCM PSE CB CCC	
Power out.Limit	6W	OTHERS	
Burn in limit	Full load 2 Hours	Dielectric Strength (Hi-pot)	I/P-O/P:3000VAC
Power consumption	0.1W max. At AC nominal input@output min load	M.T.B.F	50,000 Calculated Hours at 25°C, according to the MIL-HDBK-217F
INPUT		Cable Length	1370mm (4.5 feet) standard cable or as required
Voltage	(90~264)VAC	PLD (power line disturbance)	Line power surge Line voltage SAG-more info on request
Frequency	(50-60)hz	Cooling method	Natural Convection Cooling
Current	0.2A Max@AC low line input and DC output full load	Housing material	PC
Inrush Surge Current (cold start)	40/60A max@power supply cold start,ambient temperature 25°C @115Vac/230Vac nominal AC input	Temperature coefficient:	<±0.5%/°C
leakage current	0.5mA Max	ENVIRONMENT	
PROTECTION		Temperature	Operating: 0~40°C / Storage: -20~-85° °C
Over current/ Short protection	The power supply will be auto recovered when over current or short circuit faults remove (fold back). Is defined as any output impedance of less than 0.1Ω.The power supply will be auto recovered when short circuit faults remove	Humidity	Operating: 8%~90%RH / Storage: 5%~95% RH non condensing
Over Voltage	The power supply will not be auto recovered when faults remove 110%-150%. (Voltage limit)	WEIGHT	
Input protection	FR1:0.68/4.7/10 Ω resistance fuse The power supply shall be protected against power line surges and any abnormal condition	NW: 6.84Kg	
No Load protection	The power supply is provided with no load operation to prevent the power supply and system from damage.	GW:10.1Kg	
Protection class	II	PACKING	
		Box	100 pcs/1 box

Mechanical case specification:



Cable specification:



Country of Origin : China
 Operating Temperature : 0~40 [°C]
 Dimension : 64 x 40.5 x 25.5 [mm]
 Efficiency level (ErP) : VI



Approvals / Marks :



Specifications

Model	Voltage DC [V]	Loading [A]	Max. Power [W]	Ripple / Noise [mV] p-p	Connector [mm]
SYS1573-0605-Wxx	5	0~1.2	6	150	2.1x5.5x11
SYS1573-0605-Wxx	5	0~1.2	6	150	mini USB
SYS1573-0605-Wxx	5	0~1.2	6	150	micro USB
SYS1573-0605-Wxx	5	0~1.2	6	150	USB inlet
SYS1573-0612-Wxx	12	0~0.5	6	200	2.1x5.5x11

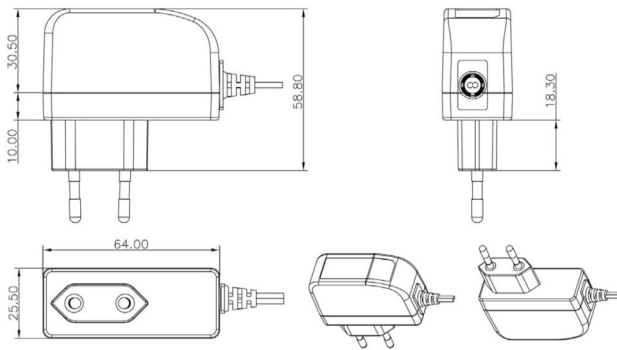
Features:

PSU housing ready for use in country : Wxx = W2E - Europe | W3U - England | W2 - USA, Canada | W2C - China | W2K - Korea | W2J - Japan
 Output connector: standard: 2.1 x 5.5 x 11mm or customer requirement | Regulated Output With Low Ripple Noise | Safety Agency Requirements and EMI/EMS Certified

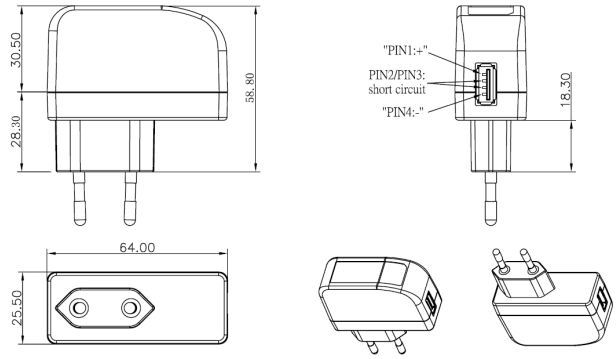
OUTPUT		CE	
Turn delay	3000 ms max @ AC low line input@output full load	EMC	2014/30/EU
Hold up time	5ms min@AC nominal input@output full load (>half cycle)	LVD	2014/35/EU EN 60950-1:2006+A11+A1+A12+A2
Efficiency (Normal)	Meet CEC,DOE,ERP,MEPS Level VI @115v/60HZ,230V/50HZ	SAFETY	
Transient response (dv,tmax)	0.4v dv max At AC nominal input loading from 50% load to max load or peak load 6ms tmax Dynamic rise time 10uS max , duty 40mS max , Dynamic load step is slew rate of 0.5A/uS	cULus FCC CB PSE BSMI	
Power out.Limit	Peak 7W for model 0605	OTHERS	
Burn in limit	Full load 2 Hours	Dielectric Strength (Hi-pot)	Primary to Secondary:3000VAC 10mA/60S
Power consumption	Less than 0.075W ms max. At AC nominal input@output min load	M.T.B.F	500,000 Calculated Hours at 25°C, by Telcordia SR-332
INPUT		Cable Length	1830mm (6 feet) standard 2 wire cable or as required
Voltage	(90~264)VAC	PLD (power line disturbance)	Line power surge Line voltage SAG-more info on request
Frequency	(47~63)hz	Cooling method	Natural Convection Cooling
Current	0.5A rms @ AC low line input and DC output full load	Housing material	PC or PPO
Inrush Surge Current (cold start)	30/60A max@power supply cold start,ambient temperature 25°C @115Vac/230Vac nominal AC input	Temperature coefficient:	< ±0.5% / °C
leakage current	0.25mA Max	ENVIRONMENT	
PROTECTION		Temperature	Operating: 0~40°C / Storage: -20~85°C
Over current/ Short protection	The power supply will self-protect any output to ground & auto recovery when abnormal circuit faults remove. An output short circuit is defined as any output impedance less than 0.1 ohms.	Humidity	Operating: 8%~90%RH / Storage: 5%~95% RH non condensing
Over Voltage	The power supply will be auto recovered when faults remove	WEIGHT	
Input protection	F1 1A/250V Fuse The power supply shall be protected against power line surges and any abnormal condition	NW: 50g/pc	
No Load protection	The power supply is provided with no load operation to prevent the power supply and system from damage.	GW: 7kg/box	
Protection class	II	PACKING	
		PE plastic bag	80-100 pcs /1 box

Mechanical case specification:

1) SYS1573-series (W2E)

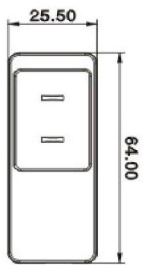


2) SYS1573-series (W2E) / USB inlet

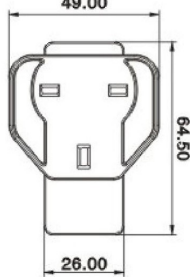


Mechanical specification (country housing): more detailed drawings on request

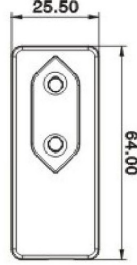
US / Canada type (W2)



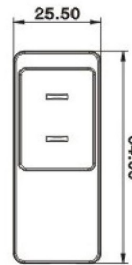
UK type (W3U)



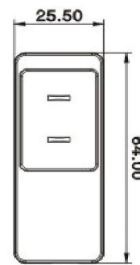
Europe type (W2E)



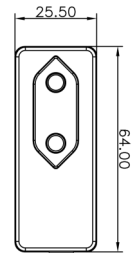
China type (W2C)



Japan type (W2J)

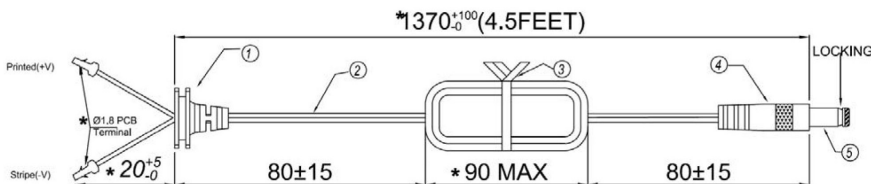


Korea (type W2K)

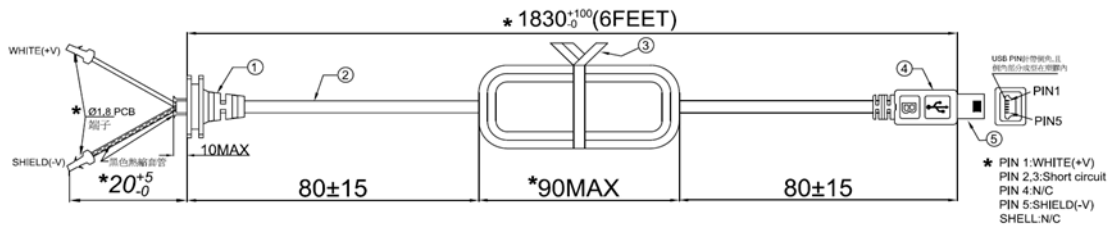


Cable specification:

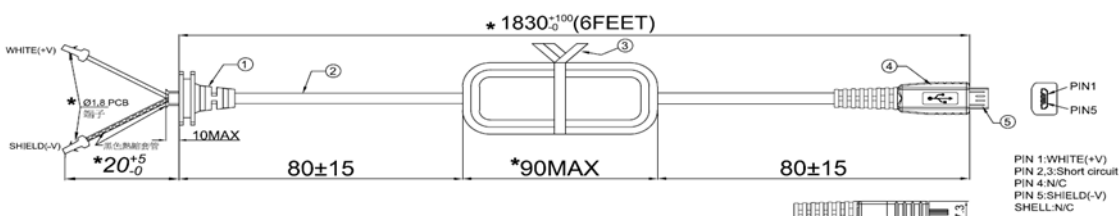
a) 2.1*5.5*11 (2468#24*2C / 5FT)



b) mini USB (1185#22*1C+SHIELD / 6FT)



c) micro USB (1185#22*1C+SHIELD / 6FT)





GREEN MODE

RoHS

Country of Origin : China
 Operating Temperature : 0~40 [°C]
 Dimension : 65 x 45 x 30 [mm]
 Certified AC Plugs: EU, UK, USA/Japan, Aus, China, Korea
 Efficiency level (ErP) : VI

Approvals / Marks :



Specifications

Model	Voltage DC [V]	Loading [A]	Max. Power [W]	Ripple / Noise [mV] p-p	Connector [mm]
SYS1561-1105-Wxx*	5	0~2.1	10.5	200	2.1x5.5x11
SYS1561-1105-Wxx*	5	0~2.1	10.5	200	micro USB
SYS1561-1105-Wxx*	5	0~2.1	10.5	200	USB-C
SYS1561-1105-Wxx*	5	0~2.1	10.5	200	USB inlet
SYS1561-11054-Wxx*	5.35	0~2.0	10.7	200	2.1x5.5x11
SYS1561-1006-Wxx*	6	0~1.66	10	200	2.1x5.5x11
SYS1561-1212-Wxx*	12	0~1.0	12	200	2.1x5.5x11

Features:

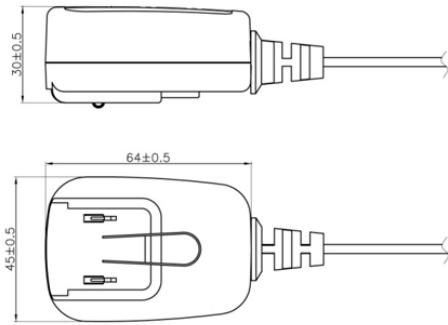
Certified plugs Wxx = W2E - Europe | W3U - England | W2 - USA, Canada, Japan, Taiwan | W2A - Australia | W2C - China | W2K - Korea
 Output connector: standard: 2.1 x 5.5 x 11mm or customer requirement | Regulated Output With Low Ripple Noise | Safety Agency Requirements and EMI/EMS Certified
 Private Label Marking Available | Modified and Custom Design Available | 2 Years Warranty

OUTPUT	
Turn delay	3000 ms max @ AC low line input@output full load
Hold up time	5ms min@AC nominal input@output full load (>half cycle)
Efficiency (Normal)	Meet CEC,DOE,ERP,MEPS Level VI @115v/60HZ,230V/50HZ
Transient response (dv,tmax)	0.3v dv max At AC nominal input loading from 50% load to max load or peak load 8ms tmax Dynamic rise time 10uS max , duty 40mS max , Dynamic load step is slew rate of 0.5A/uS
Power out.Limit	Peak 13W for SYS1561-1212
Burn in limit	Full load 2 Hours
Power consumption	Less than 0.075W ms max. At AC nominal input@output min load
INPUT	
Voltage	(90~264)VAC
Frequency	(47~63)hz
Current	0.5A rms @ AC low line input and DC output full load
Inrush Surge Current (cold start)	40/60A max@power supply cold start,ambient temperature 25°C @115Vac/230Vac nominal AC input
leakage current	0.25mA Max
PROTECTION	
Over current/ Short protection	The power supply will self-protect any output to ground & auto recovery when abnormal circuit faults remove. An output short circuit is defined as any output impedance less than 0.1 ohms.
Over Voltage	The power supply will be auto recovered when faults remove
Input protection	F1:1A 250V Fuse The power supply shall be protected against power line surges and any abnormal condition
No Load protection	The power supply is provided with no load operation to prevent the power supply and system from damage.
Protection class	II, (ITU-T K.21 Surge 6KV on request)

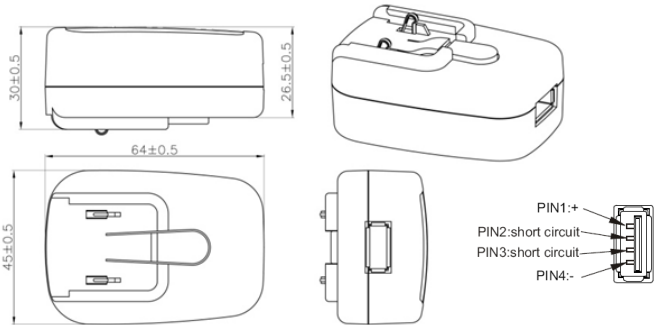
CE	
EMC	2014/30/EU
LVD	2014/35/EU EN 60950-1:2006+A11+A1+A12+A2 EN 62368-1
SAFETY	
CB CE GS FCC cULus CCC BSMI PSE KC(5Vonly) SAA RCM PSB(1005,1212) EAC BIS(1005) S-MARK(1105)	
OTHERS	
Dielectric Strength (Hi-pot)	Primary to Secondary:3000VAC 10mA/60S
M.T.B.F	500,000 Calculated Hours at 25°C, by Telcordia SR-332
Cable Length	1370mm (4.5 feet) standard cable or as required
PLD (power line disturbance)	Line power surge Line voltage SAG-more info on request
Cooling method	Natural Convection Cooling
Housing material	PC
Temperature coefficient:	< ±0.5% / °C
ENVIRONMENT	
Temperature	Operating: (0 ~ 40)°C / Storage: (-20 ~ 85)°C
Humidity	Operating: 8%~90%RH / Storage: 5%~95% RH non condensing
WEIGHT	
NW:	72g/pc
GW:	8.8kg/box 13.5kg/box (for USB inlet)
PACKING	
PE plastic bag	80 pcs / 1 box 180 pcs / 1box (for USB inlet)

Mechanical case specification:

1) Cable type

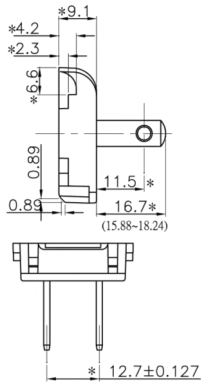


2) USB inlet type

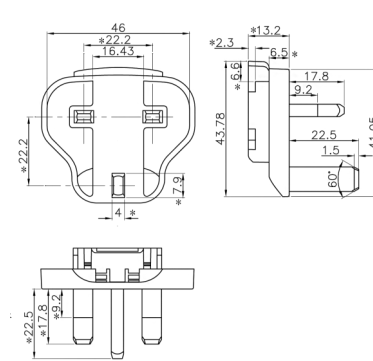


Mechanical specification (country housing):

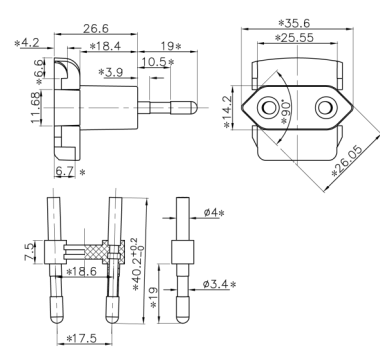
US / Japan type (W2)



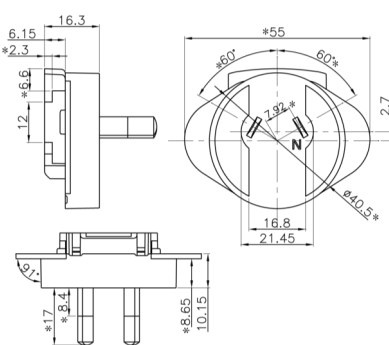
UK type (W3U)



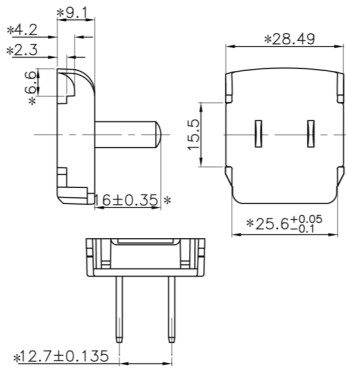
Europe type (W2E)



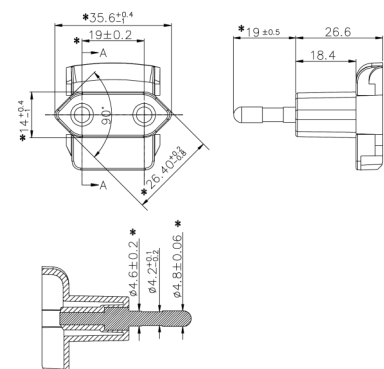
Australia type (W2A)



China type (W2C)



Korea type (W2K)

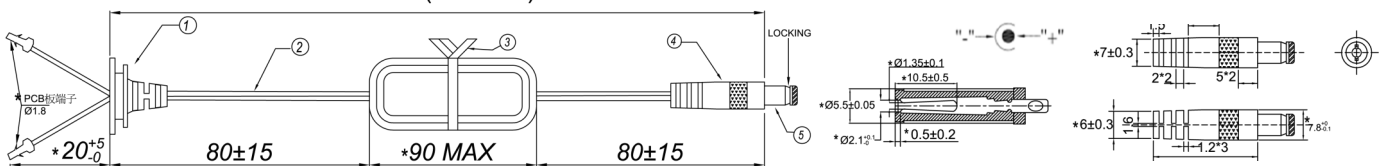


Cable specification:

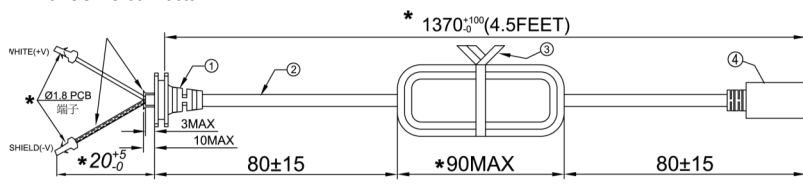
2468#20*2C – SYS1561-1105-Wxx | 2468#24*2C – SYS1561-1212-Wxx

For 2.1x5.5 connector

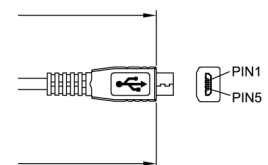
* 1370⁺¹⁰⁰ (4.5FEET)



For USB C connector



For micro USB connector



Country of Origin : China
 Operating Temperature : 0~40 [°C]
 Dimension : 73.8 × 44.3 × 28.8 [mm]
 Certified AC Plugs: EU, UK, USA/Japan/Taiwan, Aus, China, Korea
 Efficiency level (ErP) : VI



Approvals / Marks :



Specifications

Model	Voltage DC [V]	Loading [A]	Max. Power [W]	Ripple / Noise [mV] p-p	Connector [mm]
SYS1001-0703-Wxx*	3,3	0~2.2	7.26	120	2.1x5.5x11
SYS1001-1105-Wxx*	5	0~2.1	10	120	2.1x5.5x11
SYS1001-1108-Wxx*	7.5	0~1.6	11	120	2.1x5.5x11
SYS1001-0909-Wxx*	9	0~1.33	9	120	2.1x5.5x11
SYS1001-1212-Wxx*	12	0~1.0	12	200	2.1x5.5x11
SYS1001-1215-Wxx*	15	0~0.8	12	200	2.1x5.5x11
SYS1001-1218-Wxx*	18	0~0.66	12	240	2.1x5.5x11
SYS1001-1224-Wxx*	24	0~0.5	12	240	2.1x5.5x11

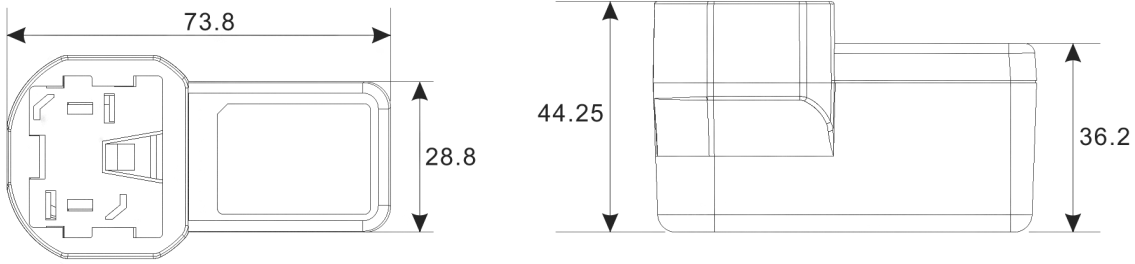
Features:

Certified plugs Wxx = W2E - Europe | W3U - England | W2 - USA, Canada, Japan,Taiwan | W2A - Australia | W2C - China | W2K - Korea
 Output connector: standard: 2.1 x 5.5 x 11mm or customer requirement | Regulated Output With Low Ripple Noise | Safety Agency Requirements and EM/EMS Certified
 Private Label Marking Available | Modified and Custom Design Available | 2 Years Warranty

OUTPUT	
Turn delay	3000ms max@AC low line input@output full load
Hold up time	8ms min@AC nominal input@output full load
Efficiency (Normal)	>80%@115v/60HZ,230V/50HZ input & Full load
Transient response (dv,tmax)	0.4V dv max At AC nominal input loading from 20%load to 80% load 16ms tmax Dynamic rise time 10 us max,duty 40ms max,Dynamic load step is slew rate of 0.5A/us
Power out.Limit	12W
Burn in limit	Full load 2 Hours
Power consumption	0.1W max. At AC nominal input@output min load
INPUT	
Voltage	(90~264)VAC
Frequency	(47~63)hz
Current	0.5A rms@AC low line input and DC output full load
Inrush Surge Current	30/40A max@power supply cold start,ambient temperature 25°C
leakage current	0.25mA Max
PROTECTION	
Over current/ Short protection	The power supply will be auto recovered when over current or short circuit faults remove (fold back). Is defined as any output impedance of less than 0.1Ω.The power supply will be auto recovered when short circuit faults remove
Over Voltage	The power supply will not be auto recovered when faults remove 110%-150%. (Voltage limit)
Input protection	F1 1A/250V Fuse The power supply shall be protected against power line surges and any abnormal condition
No Load protection	The power supply is provided with no load operation to prevent the power supply and system from damage.
Protection class	II

CE	
EMC	2014/30/EU
LVD	2014/35/EU EN 60950-1:2006+A11+A1+A12+A2 EN 62368-1
SAFETY	
cTUVus FCC GS CE CB RCM SAA PSE EAC UKCA	
OTHERS	
Dielectric Strength (Hi-pot)	I/P-O/P:3000VAC
M.T.B.F	500,000 Calculated Hours at 25°C, by Telcordia SR-332
Cable Length	1370mm (4.5 feet) standard cable or as required
PLD (power line disturbance)	Line power surge Line voltage SAG-more info on request
Cooling method	Natural Convection Cooling
Housing material	PC + ABS
Temperature coefficient:	< ±0.5% / °C
ENVIRONMENT	
Temperature	Operating: 0~40°C / Storage: -20~85°C
Humidity	Operating: 8%~90%RH / Storage: 5%~95% RH non condensing
WEIGHT	
NW:	80g/pc + plug
GW:	95g/pc + plug
PACKING	
Box	100 pcs/1 box

Mechanical case specification:

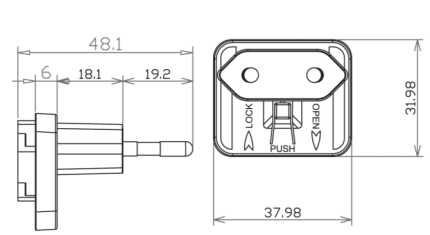
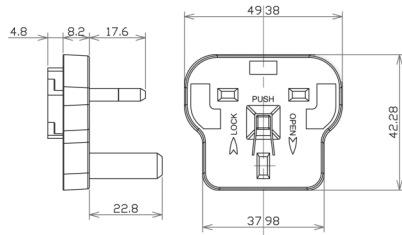
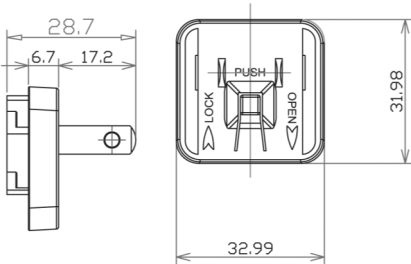


Mechanical specification (country housing):

US / Japan type (W2)

UK type (W3U)

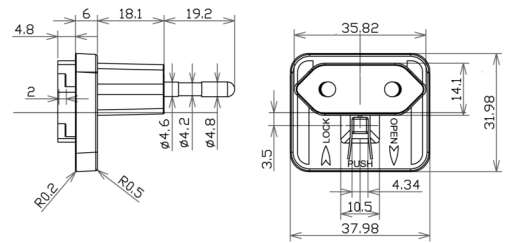
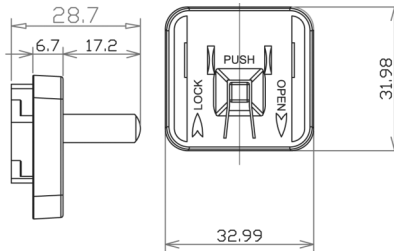
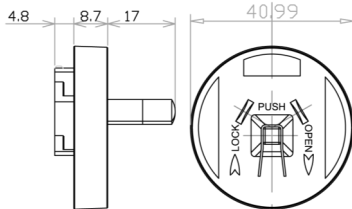
Europe type (W2E)



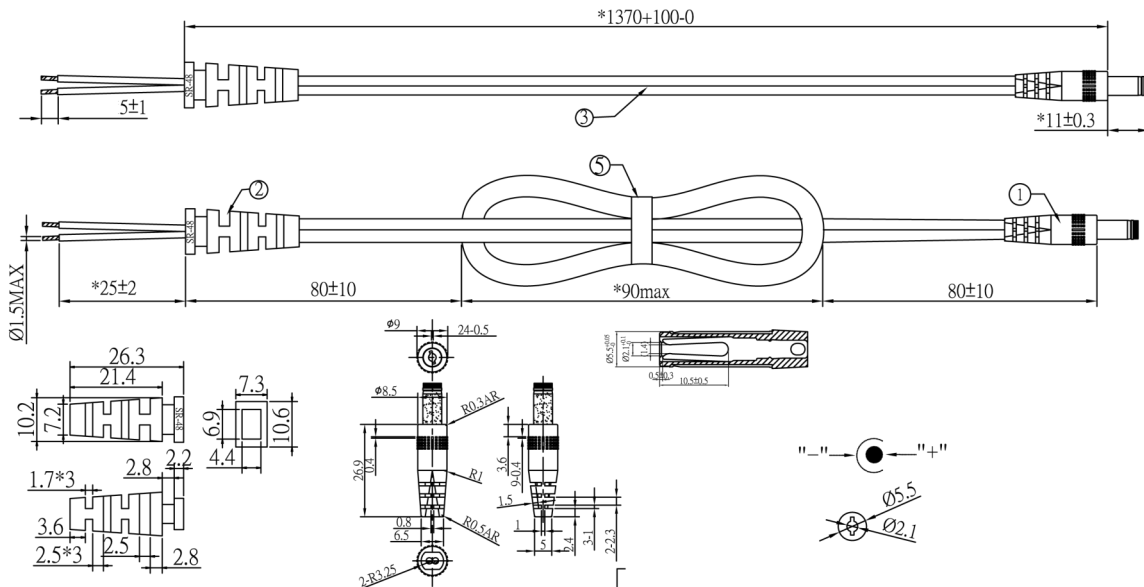
Australia type (W2A)

China type (W2C)

Korea type (W2K)



Cable specification:



Country of Origin : China
 Operating Temperature : 0~40[°C]
 Dimension : 68 × 42 × 29 [mm]
 Efficiency level (ErP) : VI



Approvals / Marks :



Specifications

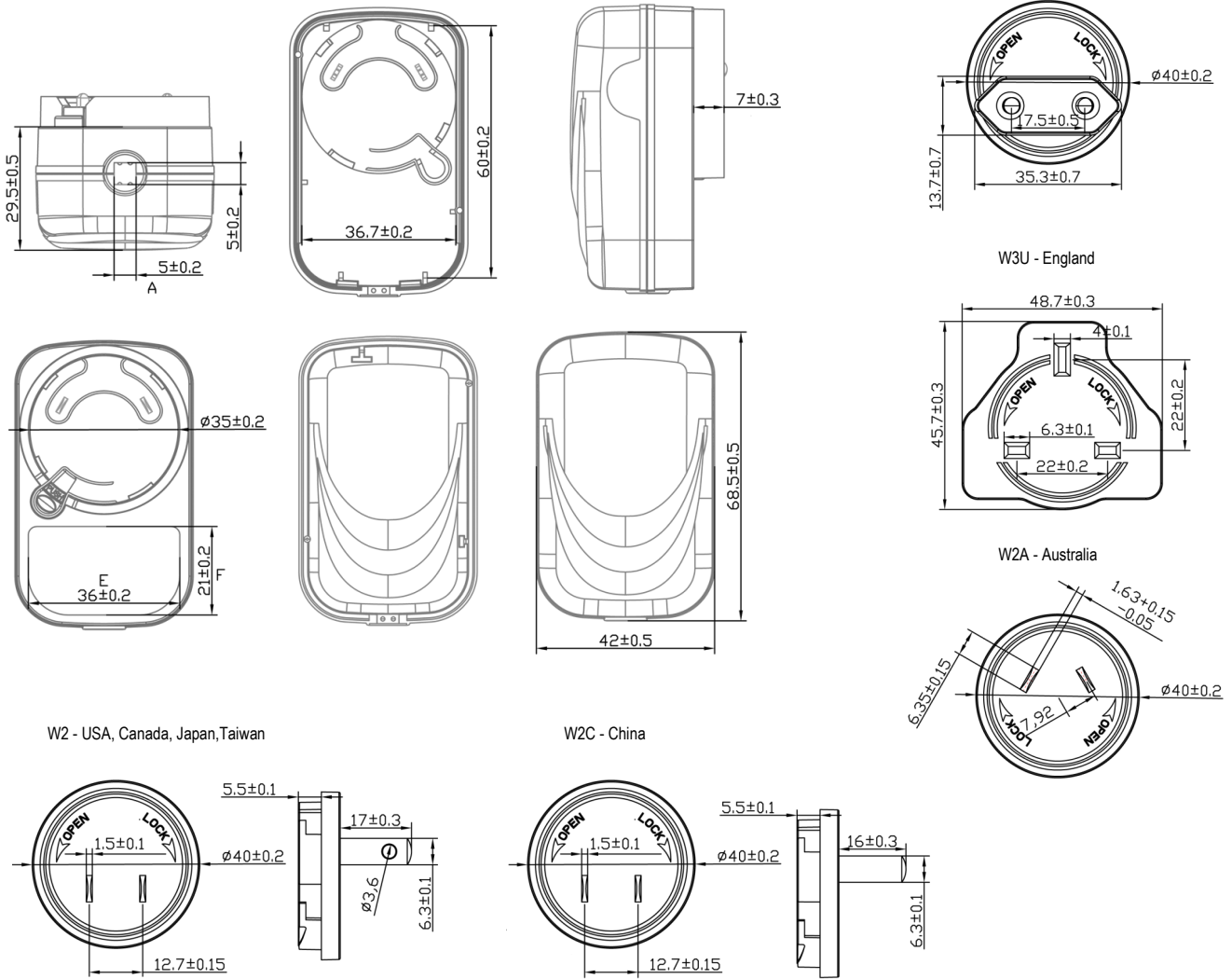
Basic Models	Voltage DC [4.0V~24V]	Loading [A]	Max. Power [W]	Ripple / Noise [mV] p-p	Connector [mm]
SYS1121-0909-Wxx	9	0~1.0	9	200	2.1x5.5x11
SYS1121-1105-Wxx	5	0~2.2	11	200	2.1x5.5x11
SYS1121-1106-Wxx	6	0~1.83	11	200	2.1x5.5x11
SYS1121-12075-Wxx	7,5	0~1.6	12	200	2.1x5.5x11
SYS1121-1209-Wxx	9	0~1.33	12	200	2.1x5.5x11
SYS1121-1212-Wxx	12	0~1.0	12	200	2.1x5.5x11
SYS1121-1215-Wxx	15	0~0.8	12	200	2.1x5.5x11
SYS1121-1218-Wxx	18	0~0.66	12	200	2.1x5.5x11
SYS1121-1224-Wxx	24	0~0.5	12	200	2.1x5.5x11

Features:

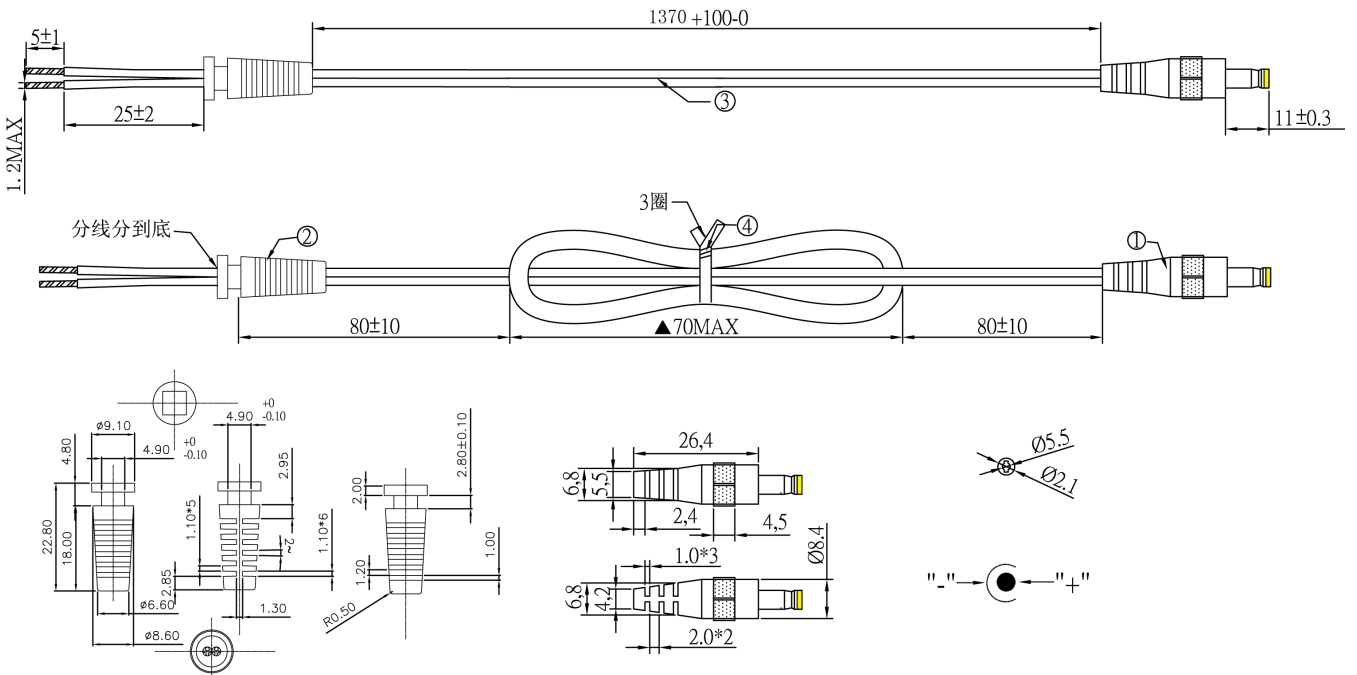
Certified plugs Wxx = W2E - Europe | W3U - England | W2 - USA, Canada, Japan, Taiwan | W2A - Australia | W2C - China
 For all models, the minimum rising step of output voltage is 0.1V - 4.0V~24V 12W max | Private Label Marking Available | 2 Years Warranty

OUTPUT		CE	
Turn delay	3000ms max@AC low line input@output full load	EMC	2014/30/EU
Hold up time	8ms min@AC nominal input@output full load	LVD	2014/35/EU EN 60950-1:2006+A11+A1+A12+A2 EN 62368-1
Efficiency (Normal)	Meet DOE level VI	SAFETY	
Burn in limit	220VAC 80% Load (Ref) 4 hours & 40°C + 5°C -0°C	cUL FCC GS CE CB RCM SAA PSE EAC UKCA BS BSMI CCC	
Power consumption	0.1W max. At AC nominal input@output min load	OTHERS	
INPUT		Dielectric Strength (Hi-pot)	I/P-O/P:3000VAC
Voltage	(90~264)VAC	M.T.B.F	500,000 Calculated Hours at 25°C, by Telcordia SR-332
Frequency	(47~63)hz	Cable Length	1370mm (4.5 feet) standard cable or as required
Current	0.5A rms@AC low line input and DC output full load	Cooling method	Natural Convection Cooling
Inrush Surge Current (cold start)	40/60A max@power supply cold start, ambient temperature 25°C @115Vac/230Vac nominal AC input	Housing material	PC
leakage current	< 5 mA max	Temperature coefficient:	< ±0.5% / °C
PROTECTION		ENVIRONMENT	
Over current/ Short protection	The power supply will be auto recovered when over current or short circuit faults remove (fold back). Is defined as any output impedance of less than 0.1Ω. The power supply will be auto recovered when short circuit faults remove	Temperature	Operating: 0~40°C / Storage: -20~85°C
Over Voltage	The power supply shall be self-recovering when the fault condi-	Humidity	Operating: 8%~90%RH / Storage: 5%~95% RH non condensing
Input protection	F1:1A 250V Fuse The power supply shall be protected against power line surges and any abnormal condition	WEIGHT	
No Load protection	The power supply is provided with no load operation to prevent the power supply and system from damage.	NW: 69 g/pc (without plugs) + W2E plug 24g; W3U plug 19g; W2 plug 13g; W2A plug 13g	
Protection class	II	GW: 89 g/pc (without plugs)	
		PACKING	
		Box	100 pcs/1 box

Mechanical specification:



Cable specification:



Country of Origin : China
 Operating Temperature : 0~40 [°C]
 Dimension : 63.6 x 29.5 x 45.6 [mm]
 Efficiency level (ErP) : VI



Approvals / Marks :



Specifications

Basic Models	Voltage DC [V]	Loading [A]	Max. Power [W]	Ripple / Noise [mV] p-p	Connector [mm]
SYS1381N-1205-Wxx	5	0~2.4	12	150	2.1x5.5x11
SYS1381N-1205-Wxx	5	0~2.4	12	150	1.7x5.5x11
SYS1381N-1205-Wxx	5	0~2.4	12	150	Micro USB
SYS1381N-1206-Wxx	6	0~2.0	12	150	2.1x5.5x11
SYS1381N-1207-Wxx	7,5	0~1.6	12	150	2.1x5.5x11
SYS1381N-1209-Wxx	9	0~1.33	12	150	2.1x5.5x11
SYS1381N-1212-Wxx	12	0~1.0	12	150	2.1x5.5x11
SYS1381N-1215-Wxx	15	0~0.8	12	180	2.1x5.5x11
SYS1381N-1218-Wxx	18	0~0.66	12	200	2.1x5.5x11
SYS1381N-1224-Wxx	24	0~0.5	12	250	2.1x5.5x11

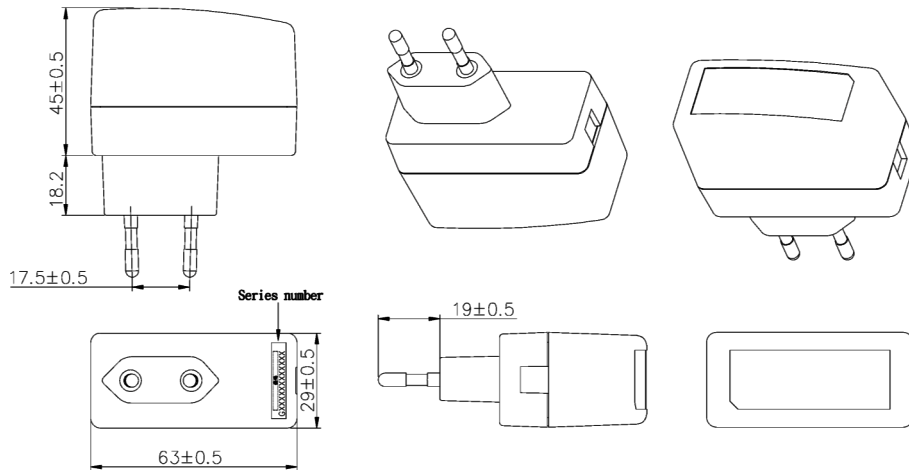
Features:

Certified plugs Wxx = W2E - Europe | W3U - England | W2 - USA, Canada, Japan, Taiwan | W2A - Australia | W2C - China

For all models, the minimum rising step of output voltage is 0.1V - 4.0V~24V 12W max | Private Label Marking Available | 2 Years Warranty

OUTPUT		CE	
Turn delay	5000ms max@AC low line input@output full load	EMC	2014/30/EU
Hold up time	10ms min@AC nominal input@output full load	LVD	2014/35/EU EN 60950-1:2006+A11+A1+A12+A2 EN 62368-1
Efficiency (Normal)	>79.94% min. Eff= 0.071 x ln(Po/1W) - 0.0014 x Po/1W + 0.67 Directive EU 2019/1782	SAFETY	CE CB TUV/GS
Transient response (dv,tmax)	0.3V dv max at AC nominal input loading from 50Ω load to max load or peak load. 16ms tmax Dynamic rise time 10 us max,duty 40ms max,Dynamic load step is slew rate of 0.5A/us	OTHERS	
Burn in limit	Ambient temp: 35C+/-3%; 80% load; input voltage 230V; 2 hours.	Dielectric Strength (Hi-pot)	HI-POT B / IEC 320 2pin primary to secondary 4000Vdc 10mA 1min
Power consumption	0.1W max. At AC nominal input@output min load	M.T.B.F	500,000 Calculated Hours at 25°C, by Telcordia SR-332
INPUT		Cable Length	1370mm (4.5 feet) standard cable or as required
Voltage	(90~264)VAC	PLD (power line disturbance)	Line power surge Line voltage SAG-more info on request
Frequency	(47~63)hz	Cooling method	Natural Convection Cooling
Current	0.5A rms@AC low line input and DC output full load	Housing material	PC
Inrush Surge Current	40/60A max@power supply cold start,ambient temperature 25°C	Temperature coefficient:	< ±0.5% / °C
leakage current	0.25 mA max	ENVIRONMENT	
PROTECTION		Temperature	Operating: 0~40°C / Storage: -20~85°C
Over current/ Short protection	The power supply will self-protect any output to ground, And auto recovery when abnormal circuit faults remove. An output short circuit is defined as any output impedance of less than 0.1 ohms.	Humidity	Operating: 8%~90%RH / Storage: 5%~95% RH non condensing
Over Voltage	The power supply will not be auto recovered when faults remove 110%-150%. (Voltage limit)	WEIGHT	
Input protection	F1:1A /250V Fuse. The power supply shall be protected against power line surges and any abnormal condition	NW:	85 g/pc
No Load protection	The power supply is provided with no load operation to prevent the power supply and system from damage.	Box:	11,5 kg
Protection class	II	PACKING	
		Box	100 pcs/1 box

Mechanical case specification:



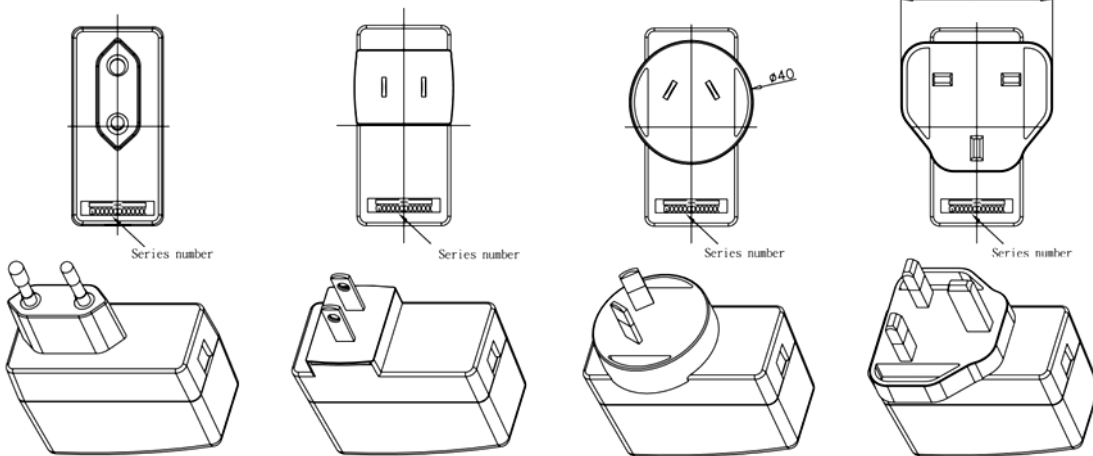
Mechanical specification (country housing):

Europe / Korea type (W2E/W2K)

US / Canada type (W2)

Australia type (W2A)

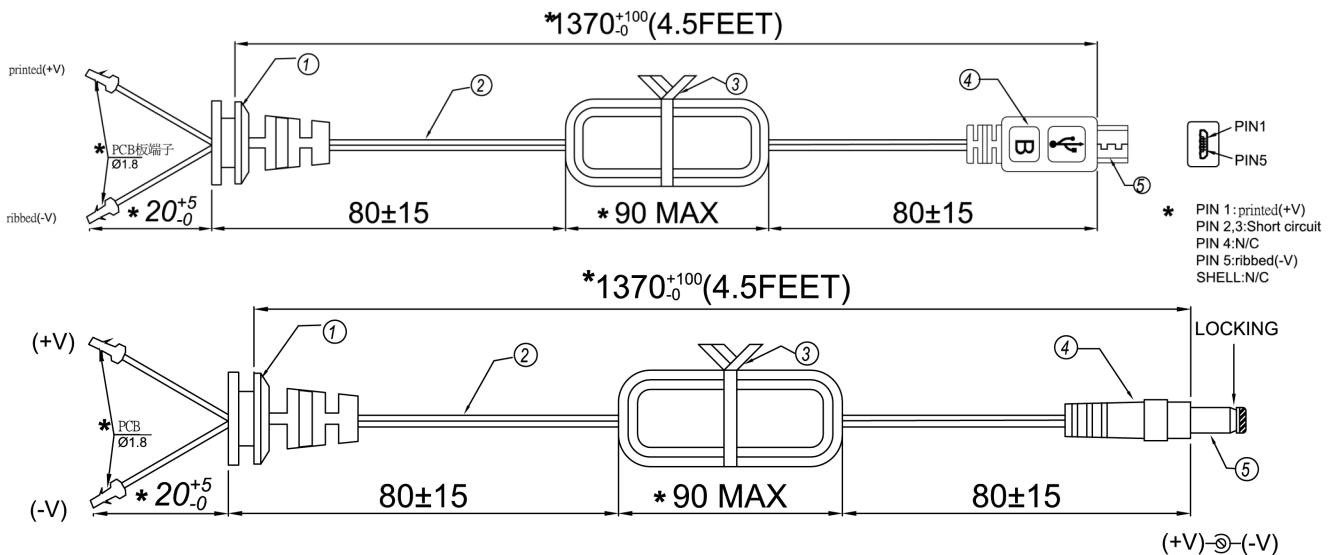
UK type (W3U)



Cable specification:

Connectors 2.1*5.5*11; 1.7*5.5*11; micro USB

Cable (2468#20*2C / 4.5FT)



Country of Origin : China
 Operating Temperature : 0~40 [°C]
 Dimension : 40 x 35x 33 [mm]
 AC Plugs: EU, UK, USA/Japan, Australia, China
 Efficiency level : VI



Approvals / Marks :



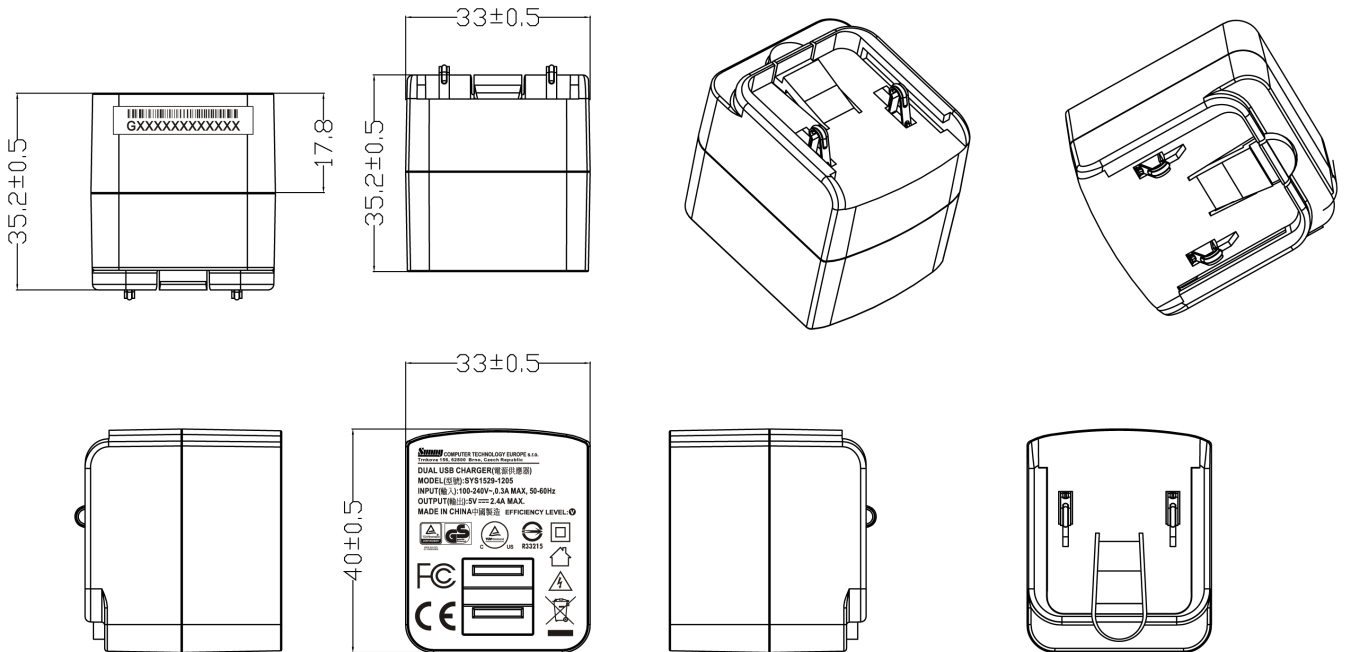
Features:

Dual USB inlet charger with Exchangeable AC Plugs.
 Wide range Input (90 ~ 264) VAC / (47 ~ 63) Hz.
 Customer can choose one or more from 5 AC plugs Wxx* (W2 - USA,Canada,Japan | W2A - Australia | W2C - China | W2E - Europe | W3U - England).
 Output connector: dual USB inlet

Specification:

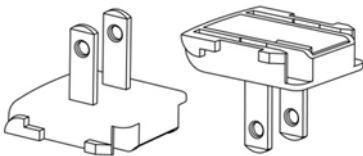
ErP V.	Model	Voltage DC [V]	Efficiency [%]	OCP [A]	OVP [V]	Max. Power [W]	Ripple & Noise [mV]p-p max.	Connector [mm]
	SYS1529-1205	5.0	75	2.5-3.0	max 10V	12	250	USB inlet
note	Max load: 2.4A if 1 USB port is used / 1.2A if 2 USB ports are used							
INPUT	Voltage	(90 ~ 264) VAC						
	Frequency	(47 ~ 63) Hz						
	Current	0.3 A at AC low line input and DC output full load						
	Input surge current	40A/60A max at power supply cold start, ambient temperature 25°C@115Vac/230Vac nominal AC input.						
	Power Efficiency	74.74% minimum average efficiency in active mode (Meet CEC V)						
PROTECTION	Over Current	The power supply will self-protect any output to ground.						
	Over Voltage	The power supply will not be auto recovered when faults remove 110%-150%. (Voltage limit)						
	Short Circuit	Is defined as any output impedance of less than 0.1Ω. The power supply will be auto recovered when short circuit faults remove.						
OUTPUT	Line regulation	-9 % / +5%						
	Hold up time	0.3ms min At AC nominal input@ output full load						
	Standby Power	0.3W max.						
	Cooling	Free air convection						
	M.T.B.F.	500,000 Calculated Hours at 25°C, by Telcordia SR-332						
	Withstand Voltage	I/P-O/P: 3000VAC						
ENVIRONMENT	Temperature	Operating: (0 ~ 40)°C / Storage: (-20 ~ 85)°C						
	Humidity	Operating: (8 ~ 90)% RH / Storage: (5 ~ 95)% RH						
SAFETY CB FCC CE cTUVus GS								
CE	EMC	2014/30/EU						
	LVD	2014/35/EU EN 60950-1:2006+A11+A1+A12+A2 EN 62368-1						
WEIGHT	1pc	N.W.: 38g / pcs + plug						
PACKING	Box	0.455 x 0.390x 0.200 [m]						
		400pcs / 1box						
		G.W.: 18,1kg / box						

Mechanical case specification:

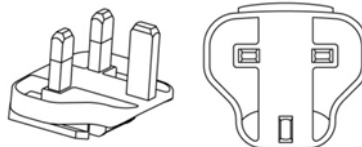


Mechanical specification (country housing):

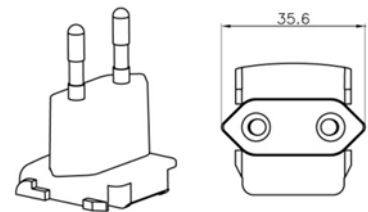
US / Japan type (W2)



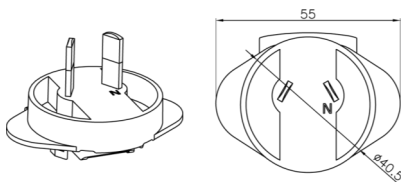
UK type (W3U)



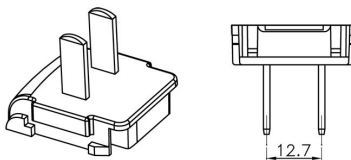
Europe type (W2E)



Australia type (W2A)



China type (W2C)



Country of Origin : China
 Operating Temperature : 0~40 [°C]
 Dimension : 70.5 x 33 x 35.5 [mm]
 Efficiency level (ErP) : VI



Specifications

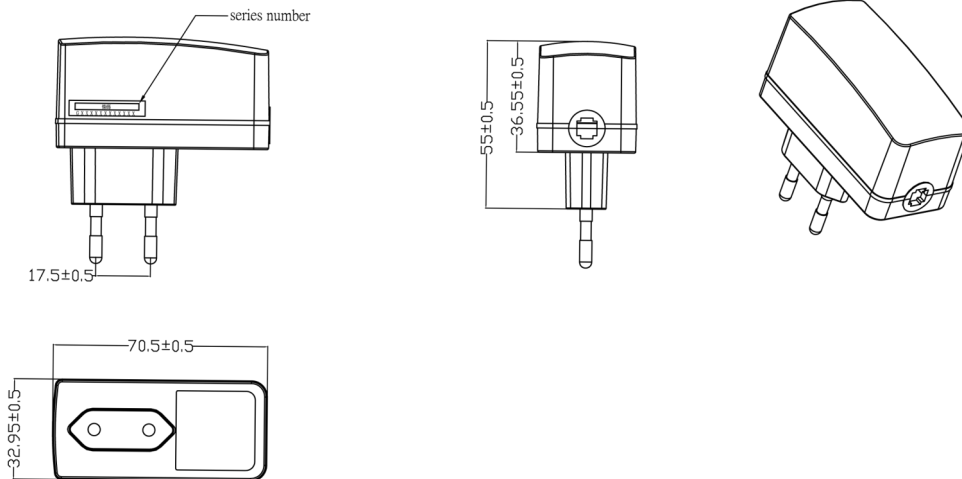
Model	Voltage DC [V]	Loading [A]	Max. Power [W]	Ripple / Noise [mV] p-p	Connector [mm]
SYS1530-1005-Wxx	5	0~2.0	10	150	2.1x5.5x11
SYS1530-0906-Wxx	6	0~1.5	9	150	2.1x5.5x11
SYS1530-0808-Wxx	7,5	0~1.0	8	180	2.1x5.5x11
SYS1530-0909-Wxx	9	0~1.0	9	180	2.1x5.5x11
SYS1530-1212-Wxx	12	0~1.0	12	180	2.1x5.5x11
SYS1530-1215-Wxx	15	0~0.8	12	200	2.1x5.5x11
SYS1530-1218-Wxx	18	0~0.66	12	200	2.1x5.5x11
SYS1530-1224-Wxx	24	0~0.5	12	240	2.1x5.5x11

Features:

PSU housing ready for use in country : Wxx = W2E - Europe | W2 - USA, Canada, Japan
 Output connector: standard: 2.1 x 5.5 x 11mm or customer requirement | Regulated Output With Low Ripple Noise | Safety Agency Requirements and EMI/EMS Certified
 Private Label Marking Available | Modified and Custom Design Available | 2 Years Warranty

OUTPUT		CE	
Turn delay	3000 ms max @ AC low line input@output full load	EMC	2014/30/EU
Hold up time	5ms min@AC nominal input@output full load (>half cycle)	LVD	2014/35/EU EN 60950-1:2006+A11+A1+A12+A2 EN 62368-1
Efficiency (Normal)	Meet CEC,DOE,ERP,MEPS Level VI	SAFETY	
Transient response (dv,tmax)	0.4v dv max At AC nominal input loading from 50% load to max load or peak load 16ms tmax Dynamic rise time 10uS max , duty 40mS max , Dynamic load step is slew rate of 0.5A/uS	CB CE GS FCC cULus BSMI	
Power out.Limit	Peak 13W	OTHERS	
Burn in limit	Full load 2 Hours	Dielectric Strength(Hi-pot)	Primary to Secondary:3000VAC 10mA/60S
Power consumption	Less than 0.075W ms max. At AC nominal input@output min load	M.T.B.F	500,000 Calculated Hours at 25°C, by Telcordia SR-332
INPUT		Cable Length	1370mm (4.5 feet) standard 2 wire cable or as required
Voltage	(90~264)VAC	PLD (power line disturbance)	Line power surge Line voltage SAG-more info on request
Frequency	(47~63)hz	Cooling method	Natural Convection Cooling
Current	0.3A rms @ AC low line input and DC output full load	Housing material	PC
Inrush Surge Current	40/60A max@power supply cold start,ambient temperature	Temperature coefficient:	< ±0.5% / °C
leakage current	0.25mA Max	ENVIRONMENT	
PROTECTION		Temperature	Operating: 0~40°C / Storage: -20~85°C
Over current/ Short protection	The power supply will self-protect any output to ground & auto recovery when abnormal circuit faults remove. An output short circuit is defined as any output impedance less than 0.1 ohms.	Humidity	Operating: 8%~90%RH / Storage: 5%~95% RH non condens-ing
Over Voltage	The power supply will be auto recovered when faults remove	WEIGHT	
Input protection	F1 1A/250V Fuse The power supply shall be protected against power line surges and any abnormal condition	NW:	75g/pc
No Load protection	The power supply is provided with no load operation to prevent the power supply and system from damage.	GW:	kg/box
Protection class	II, (ITU-T K.21 Surge 6KV on request)	PACKING	
		PE plastic bag	100 pcs / 1 box

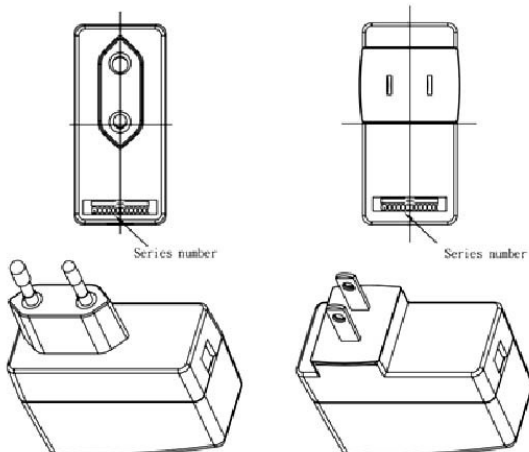
Mechanical case specification:



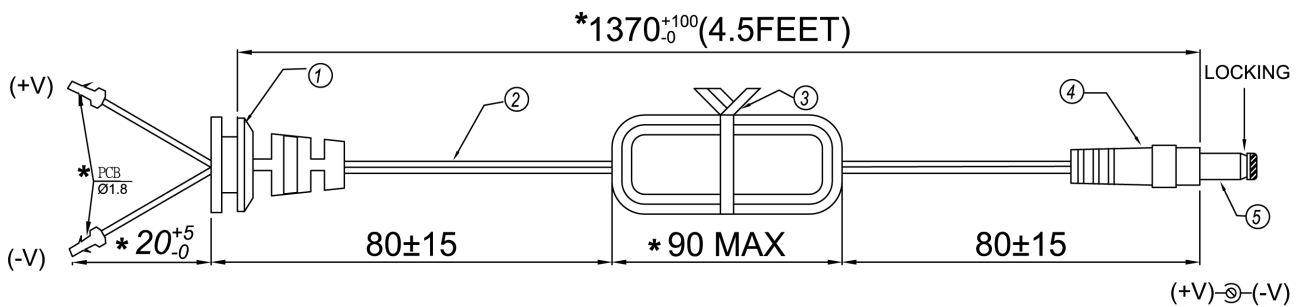
Mechanical specification (country housing):

Europe type (W2E)

US / Canada / Japan type (W2)



Cable specification:



Country of Origin : China
 Operating Temperature : 0~40 [°C]
 Dimension : 74 x 29 x 79 [mm]
 Efficiency level (ErP) : VI



Approvals / Marks :



Specifications

Model	Voltage DC [V]	Loading [A]	Max. Power [W]	Ripple / Noise [mV] p-p	Connector [mm]
SYS1128-0903-W2E	3,3	0~2.5	8,3	200	2.1x5.5x11
SYS1128-1205-W2E	5	0~2.4	12	200	2.1x5.5x11
SYS1128-1206-W2E	6	0~2	12	200	2.1x5.5x11
SYS1128-1409-W2E	9	0~1.5	13,5	200	2.1x5.5x11
SYS1128-1512-W2E	12	0~1.25	15	200	2.1x5.5x11
SYS1128-1515-W2E	15	0~1	15	200	2.1x5.5x11
SYS1128-1218-W2E	18	0~0.66	12	200	2.1x5.5x11
SYS1128-1224-W2E	24	0~0.5	12	200	2.1x5.5x11

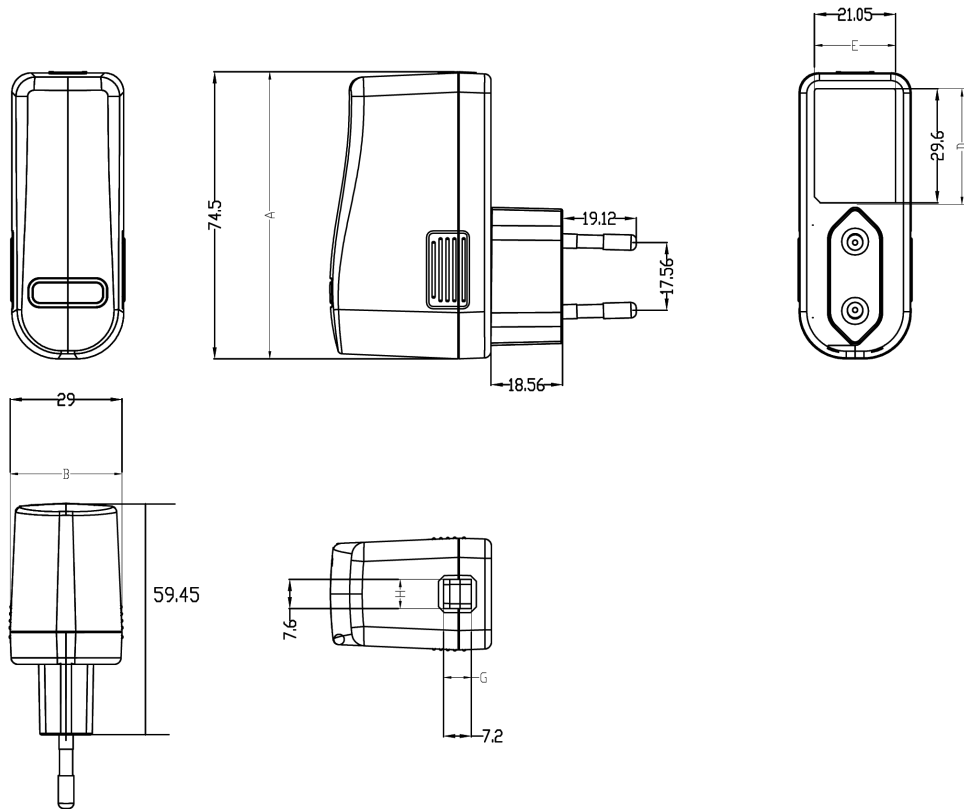
Features:

Certified plugs Wxx = W2E - Europe | W3U - England | W2 - USA, Canada, Japan, Taiwan | W2A - Australia | W2C - China | W2K - Korea
 Output connector: standard: 2.1 x 5.5 x 11mm or customer requirement | Regulated Output With Low Ripple Noise | Safety Agency Requirements and EM/EMS Certified
 Private Label Marking Available | Modified and Custom Design Available | 2 Years Warranty

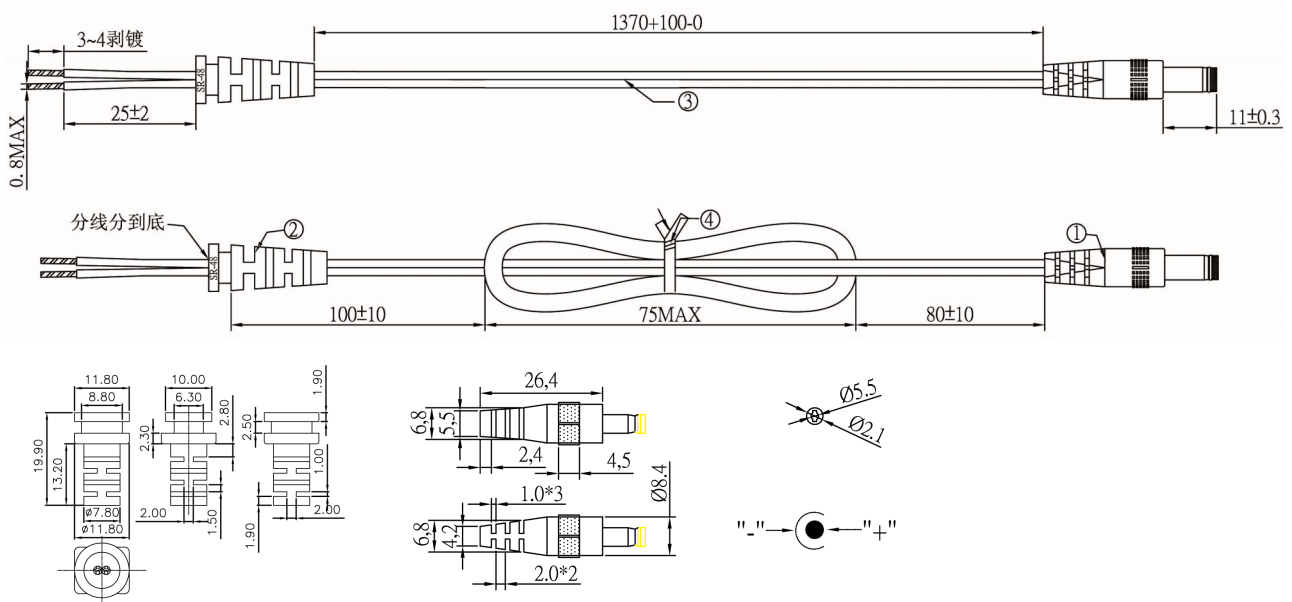
OUTPUT	
Turn delay	5000ms max@AC low line input@output full load
Hold up time	8ms min@AC nominal input@output full load
Efficiency (Normal)	>84.13%@115v/60HZ,230V/50HZ input & Full load 15W Max
Transient response (dv,tmax)	0.4V dv max At AC nominal input loading from 20%load to 80% load 16ms tmax Dynamic rise time 10 us max,duty 40ms max,Dynamic load step is slow rate of 0.5A/us
Power out.Limit	15W
Burn in limit	Full load 2 Hours
Power consumption	0.1W max. At AC nominal input@output min load
INPUT	
Voltage	(90~264)VAC
Frequency	(50-60)hz
Current	0.5A Max@AC low line input and DC output full load
Inrush Surge Current (cold start)	40/60A max@power supply cold start,ambient temperature 25°C @115Vac/230Vac nominal AC input
leakage current	0.5mA Max
PROTECTION	
Over current/ Short protection	The power supply will be auto recovered when over current or short circuit faults remove (fold back). Is defined as any output impedance of less than 0.1Ω. The power supply will be auto recovered when short circuit faults remove
Over Voltage	The power supply will not be auto recovered when faults remove 110%-150%. (Voltage limit)
Input protection	FR1:0.68/4.7/10 Ω resistance fuse The power supply shall be protected against power line surges and any abnormal condition
No Load protection	The power supply is provided with no load operation to prevent the power supply and system from damage.
Protection class	II

CE	
EMC	EN 55014-1:2017 EN 55014-2: 2015
LVD	2014/35/EU EN 61558-2-16:2009 + A1:2013
SAFETY	
CE GS ETL-UL1310 FCC RCM PSE CB CCC	
OTHERS	
Dielectric Strength (Hi-pot)	I/P-O/P:3000VAC
M.T.B.F	50,000 Calculated Hours at 25°C, according to the MIL-HDBK-217F
Cable Length	1370mm (4.5 feet) standard cable or as required
PLD (power line disturbance)	Line power surge Line voltage SAG-more info on request
Cooling method	Natural Convection Cooling
Housing material	PC
Temperature coefficient:	<±0.5%/°C
ENVIRONMENT	
Temperature	Operating: 0~40°C / Storage: -20~-85° °C
Humidity	Operating: 8%~90%RH / Storage: 5%~95% RH non condensing
WEIGHT	
NW:	8.44Kg
GW:	11.7Kg
PACKING	
Box	100 pcs/1 box

Mechanical case specification:



Cable specification:



Country of Origin : China
 Operating Temperature : 0~40 [°C]
 Dimension : 64 x 27x 76 [mm]
 Efficiency level (ErP) : VI



Approvals / Marks :



Specifications

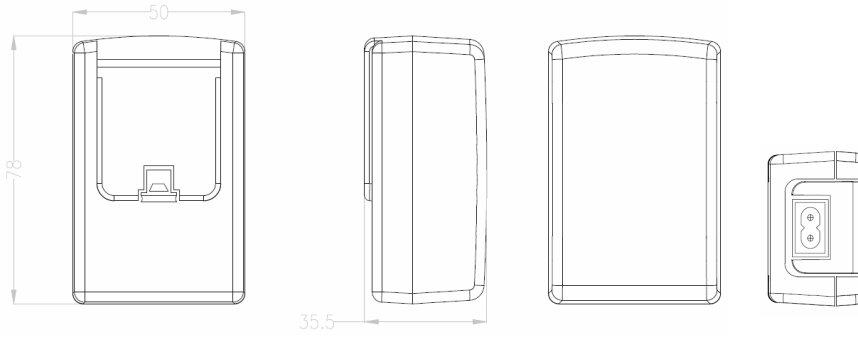
Model	Voltage DC [V]	Loading [A]	Max. Power [W]	Ripple / Noise [mV] p-p	Connector [mm]
SYS1888-1505	5	0~3.0	15	200	2.1x5.5x11
SYS1888-18075	7.5	0~2.4	18	200	2.1x5.5x11
SYS1888-1809	9	0~2.0	18	200	2.1x5.5x11
SYS1888-1812	12	0~1.5	18	200	2.1x5.5x11
SYS1888-1815	15	0~1.25	18	200	2.1x5.5x11
SYS1888-1818	18	0~1.0	18	200	2.1x5.5x11
SYS1888-1824	24	0~0.75	18	200	2.1x5.5x11

Features:

Certified plugs Wxx = W2E - Europe | W3U - England | W2 - USA, Canada, Japan, Taiwan | W2A - Australia | T2 - Desktop
 Output connector: standard: 2.1 x 5.5 x 11mm or customer requirement | Regulated Output With Low Ripple Noise | Safety Agency Requirements and EMI/EMS Certified
 Private Label Marking Available | Modified and Custom Design Available | 2 Years Warranty

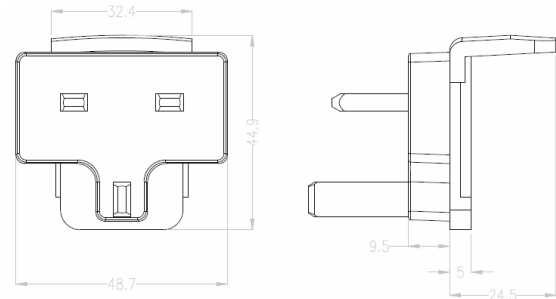
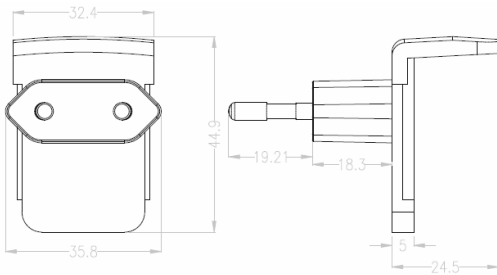
OUTPUT		CE	
Turn delay	3000ms max@AC low line input@output full load	EMC	2014/30/EU
Hold up time	8ms min@AC nominal input@output full load	LVD	2014/35/EU EN 60950-1:2006+A11+A1+A12+A2 EN 62368-1
Efficiency (Normal)	>84.3%@115v/60HZ,230V/50HZ input & Full load	SAFETY	
Transient response (dv,tmax)	0.4V dv max At AC nominal input loading from 20%load to 80% load 16ms tmax Dynamic rise time 10 us max,duty 40ms max,Dynamic load step is slew rate of 0.5A/us	cTUVus FCC GS CE CB RCM SAA PSE UKCA	
Power out.Limit	18W	OTHERS	
Burn in limit	220VAC 80% Load (Ref) 4hours & 40°C + 5°C -0°C	Dielectric Strength (Hi-pot)	I/P-O/P:3000VAC
Power consumption	0.1W max. At AC nominal input@output min load	M.T.B.F	50,000 Calculated Hours at 25°C, according to the MIL-STD-217F
INPUT		Cable Length	1370mm (4.5 feet) standard cable or as required
Voltage	(90~264)VAC	PLD (power line disturbance)	Line power surge Line voltage SAG-more info on request
Frequency	(50~60)hz	Cooling method	Natural Convection Cooling
Current	0.5A rms@AC low line input and DC output full load	Housing material	PC + ABS
Inrush Surge Current (cold start)	30/40A max@power supply cold start,ambient temperature 25°C @100Vac/240Vac nominal AC input	Temperature coefficient:	<±0.5%/°C
leakage current	5mA Max	ENVIRONMENT	
PROTECTION		Temperature	Operating: 0~40°C / Storage: -20%~80%RH non condensing
Over current/ Short protection	The power supply will be auto recovered when over current or short circuit faults remove (fold back). Is defined as any output impedance of less than 0.1Ω. The power supply will be auto recovered when short circuit faults remove	Humidity	Operating: 8%~90%RH / Storage: 5%~90% RH non condensing
Over Voltage	The power supply will not be auto recovered when faults remove 110%-150%. (Voltage limit)	WEIGHT	
Input protection	F1:1A 250V Fuse The power supply shall be protected against power line surges and any abnormal condition	NW: 105g/pc + plug	
No Load protection	The power supply is provided with no load operation to prevent the power supply and system from damage.	GW: 122g/pc + plug	
Protection class	II	PACKING	
		Box	100 pcs/1 box

Mechanical case specification:



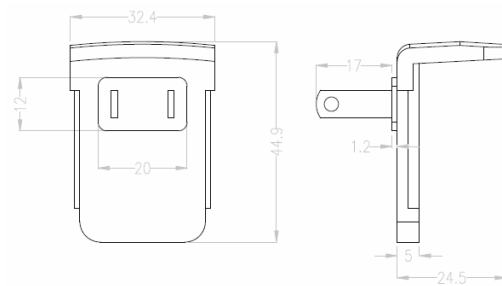
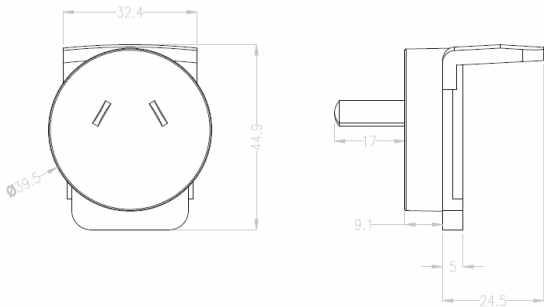
Europe type (W2E)

UK type (W3U)



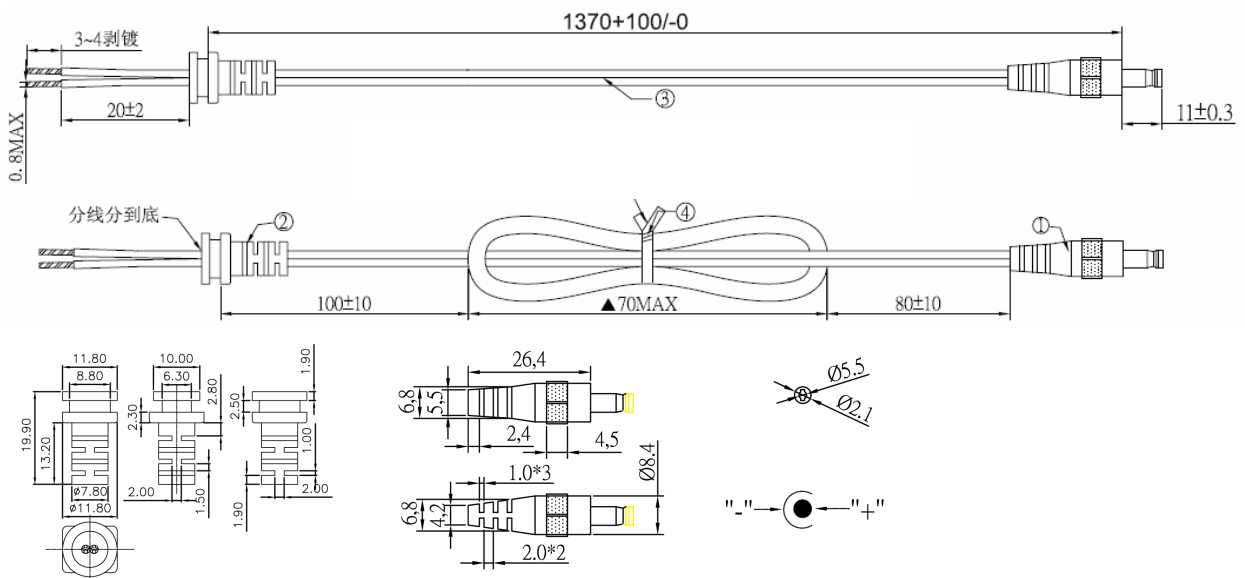
Australia type (W2A)


US / Japan type (W2)



Cable specification:

2468# 24Awg for 15V/ 18V/ 24V
2468# 22Awg for 9V/ 12V
2468# 20Awg for 7.5V/ 6V/ 5V



Country of Origin : China
 Operating Temperature : 0~40 [°C]
 Dimension : 75 x 34 x 43 [mm]
 Efficiency level (ErP) : 



Approvals / Marks :



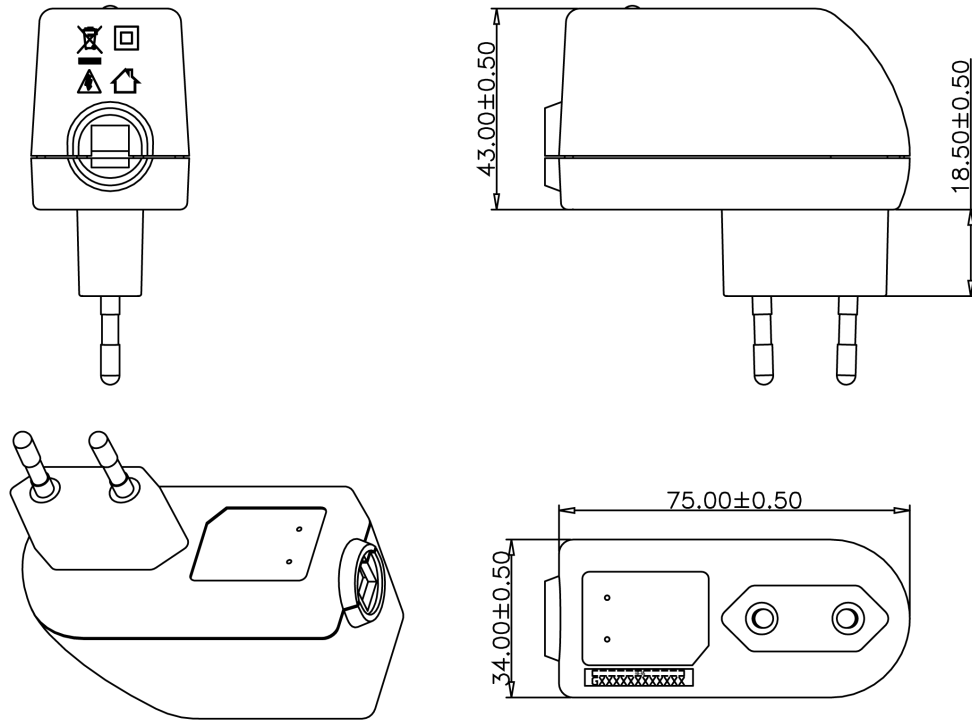
Features:

PWMIC electrical design.	For I.T.E. use only + RoHS conform.
Wide range Input (90 ~ 264) VAC / (47 ~ 63) Hz.	Over load, over voltage & short protection.
Output connector: standard: 2.1x5.5x11 or customer requirement.	
Available in versions: W2E(EU), W2(USA), W3U(UK), W2A (Australia), W2K(Korea), W2C (China).	

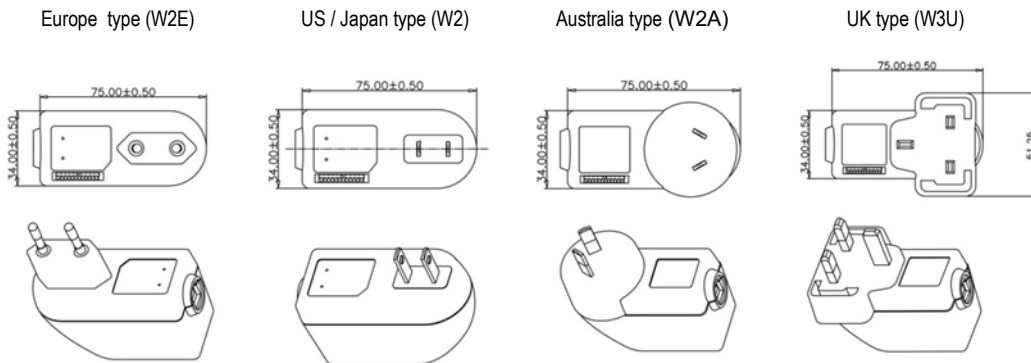
Specification:

	Model	Voltage DC [V]	Loading [A]	Tol. [%]	OCP [A]	OVP max [V]	Efficiency [%]	Max. Power [W]	Ripple & Noise [mV] p-p	Connector UL Approved [mm]	
ErP V.	SYS1308-1808-Wxx	7.5	0~2.40	±5	3.0~5.5	16	>77.6	18	100	2.1x5.5x11	
	SYS1308-1809-Wxx	9	0~2.00	±5	2.5~4.5	16	>77.6	18	100	2.1x5.5x11	
	SYS1308-2412-Wxx	12	0~2.00	±5	3.5~5.5	16	>82	24	120	2.1x5.5x11	
	SYS1308-2415-Wxx	15	0~1.60	±5	2.0~4.0	25	>82	24	150	2.1x5.5x11	
	SYS1308-2418-Wxx	18	0~1.33	±5	2.0~4.0	25	>82	24	180	2.1x5.5x11	
	SYS1308-2424-Wxx	24	0~1.00	±5	1.5~4.5	28	>82	24	240	2.1x5.5x11	
ErP V. / CE only	SYS1308-2448-Wxx	48	0~0.50	±5	0.6~2.2	90	>82.1	24	480	2.1x5.5x11	
Wxx	Possible to order with Wxx = W2E - Europe W2 - USA,Canada,Japan W3U - UK W2A - Australia W2K - Korea W2C - China										
OEM Production	This model is certified for Uout=(3,5,6,7,5,9,12,15,18,24,48)V and Pout=in steps(9,15,18,24)W										
INPUT	Voltage	(90 ~ 264)VAC									
	Frequency	(47 ~ 63)Hz									
	Current	1A rms@ AC low line input and DC output full load									
	Inrush Surge Current (cold start)	40/60Amax. @ power supply cold start, ambient temperature 25°C @115Vac/230Vac nominal AC input.									
	Leakage current	<0.25 mA @ 240VAC input									
PROTECTION	Over load	OCP	Fold back								
	Over Voltage	OVP	Voltage limiting								
	Short Circuit	Yes, Output to Ground, Auto recovery when fault has been removed. Short Current & Over Current can not exceed 8A max. after 1minute at nominal line input.									
	Protection class	II.									
	No Load Operation	Yes, to protect the power supply and system from damage									
OTHERS	Dielectric Strength	HI-POT B / I/P-O/P (FG): 3KVAC / 10mA / 1 minute									
	Set up time	3000 ms max. @ AC low line Input & Output full load									
	Hold-up Time	10ms @ AC nominal Input and Output full load									
	MTBF Qualification	500,000 Calculated Hours at 25°C, by Telcordia SR-332									
	DC cable & connector	Standard length of the cable 1,8m & It depends on customer requirements and upon specifications									
	Efficiency (Normal)	>77.6% min. @ 240VAC input & Full load									
	Efficiency level	V									
	Power Consumption	Max. 0.3W @ AC nominal Input and Output min. load – ERP IV. / ERP V has <0.3W									
	Input Fuse	1A protected against power line surges and any abnormal conditions									
ENVIRONMENT	Temperature	Operating: (0 ~ 40)°C / Storage: (-20 ~ 85)°C									
	Humidity	Operating: (8 ~ 90)% RH / Storage: (5 ~ 95)% RH non condensing									
SAFETY CE GS CB cULus FCC CCC KC SAA RCM											
CE	EMC	2014/30/EU									
	LVD	2014/35/EU EN 60950-1:2006+A11+A1+A12+A2									
WEIGHT	1pc	N.W.: 150g / pc									
		0.48 x 0.26 x 0.44 [m]									
PACKING	Box	80pcs / 1box									
		G.W.: 16.8kg / box									

Mechanical case specification:

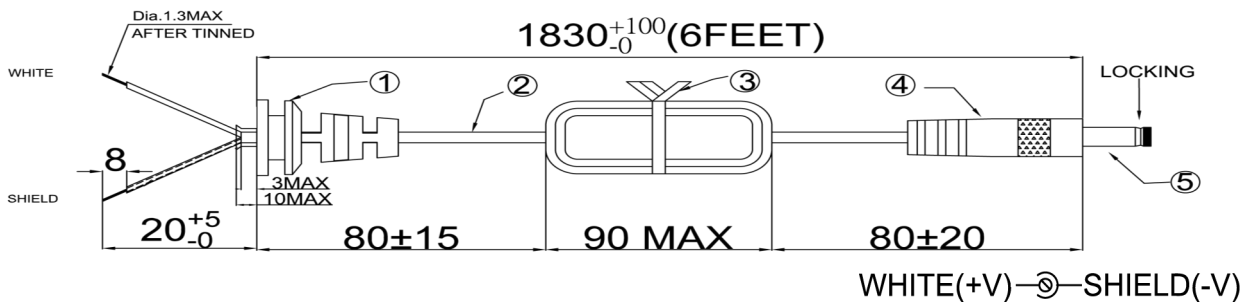


Mechanical specification (country housing):



Cable specification:

1185#20*1C + shield / 6FT (1830mm)



Country of Origin : China
 Operating Temperature : 0~40 [°C]
 Dimension : 75 x 34 x 43 [mm]
 Efficiency level (ErP) : VI



Approvals / Marks :



Specifications

Model	Voltage DC [V]	Loading [A]	Max. Power [W]	Ripple / Noise [mV] p-p	Connector [mm]
SYS1308N-1505-Wxx	5 (setup 5.1)	0~3.00	15	150	2.1x5.5x11
SYS1308N-1505-Wxx	5 (setup 5.1)	0~3.00	15	200	micro USB
SYS1308N-1807-Wxx	7.5	0~2.40	18	180	2.1x5.5x11
SYS1308N-1809-Wxx	9	0~2.00	18	180	2.1x5.5x11
SYS1308N-2412-Wxx	12	0~2.00	24	200	2.1x5.5x11
SYS1308N-2415-Wxx	15	0~1.60	24	200	2.1x5.5x11
SYS1308N-2418-Wxx	18	0~1.33	24	240	2.1x5.5x11
SYS1308N-2424-Wxx	24	0~1.00	24	240	2.1x5.5x11
SYS1308N-2448-Wxx (CE only)	48	0~0.50	24	480	2.1x5.5x11

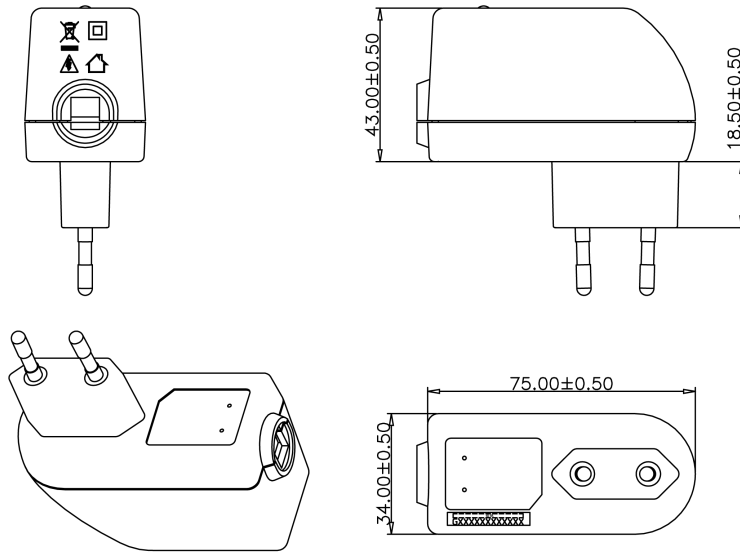
Features:

Certified plugs Wxx = W2E - Europe | W3U - England | W2 - USA, Canada, Japan, Taiwan | W2A - Australia | W2K - Korea | W2C - China

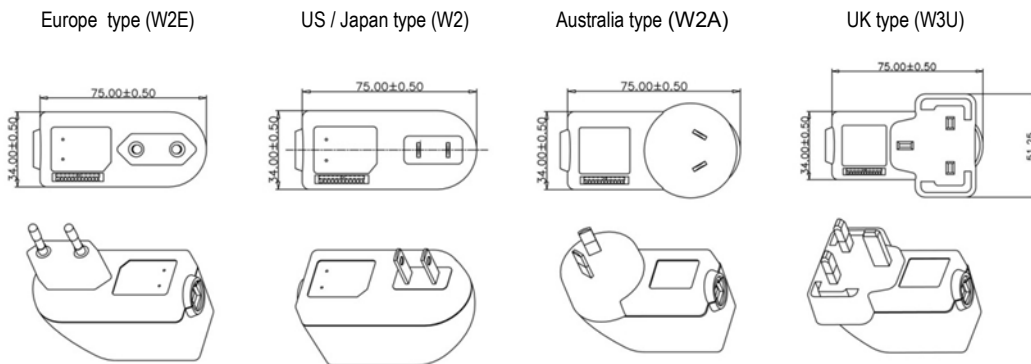
Output connector: standard: 2.1 x 5.5 x 11mm or customer requirement | Regulated Output With Low Ripple Noise | Safety Agency Requirements and EM/EMS Certified
 Private Label Marking Available | Modified and Custom Design Available | 2 Years Warranty

OUTPUT		CE	
Turn delay	3000ms max 3S max on the condition that input volotage 230V, full load.	EMC	2014/30/EU
Hold up time	5ms min@AC nominal input@output full load	LVD	2014/35/EU EN 62368-1
Efficiency	>81.39% min. Eff= 0.071 x ln(Po/1W) - 0.0014 x Po/1W + 0.67 Directive EU 2019/1782	SAFETY	
Transient response (dv,tmax)	0.6V dv max At AC nominal input loading from 20%load to 80% load 10ms tmax Dynamic rise time 10 us max,duty 40ms max.Dynamic load step is slow rate of 0.5A/us	CE CB TUV/GS	
Burn in limit	Ambient temp: 35C+-3%; 80% load; input voltage 230V; 2 hours.	OTHERS	
Power consumption	0.1W max. At AC nominal input@output min load	Dielectric Strength (Hi-pot)	HI-POT B / IEC 320 2pin primary to secondary 4000Vdc 10mA 1min
INPUT		M.T.B.F	500,000 Calculated Hours at 25°C, by Telcordia SR -332
Voltage	(90~264)VAC	Cable Length	1830mm (6 feet) standard cable or as required
Frequency	(47 ~ 63)Hz	PLD (power line disturbance)	Line power surge Line voltage SAG-more info on request
Current	1A rms@AC low line input and DC output full load	Cooling method	Natural Convection Cooling
Inrush Surge Current (cold start)	60A max@power supply cold start, ambient temperature 25°C @100Vac/240Vac nominal AC input	Housing material	PC
leakage current	<0.25 mA @ 240VAC input	Temperature coefficient:	<±0.5%/°C
PROTECTION		ENVIRONMENT	
Over current/ Short protection	The power supply will self-protect any output to ground, And auto recovery when abnormal circuit faults remove. An output short circuit is defined as any output impedance of less than 0.1 ohms.	Temperature	Operating: 0~40°C / Storage: -20%~85%RH non condensing
Over Voltage	The power supply will not be auto recovered when faults remove 110%-150%. (Voltage limit)	Humidity	Operating: 8%~90%RH / Storage: 5%~95% RH non condensing
Input protection	2A /250V Fuse. The power supply shall be protected against power line surges and any abnormal condition	WEIGHT	
No Load protection	The power supply is provided with no load operation to prevent the power supply and system from damage.	NW: 116-133g/pc based on the model	
Protection class	II	Box cca 12kg based on the model	
		PACKING	
		Box	80 pcs/1 box

Mechanical case specification:



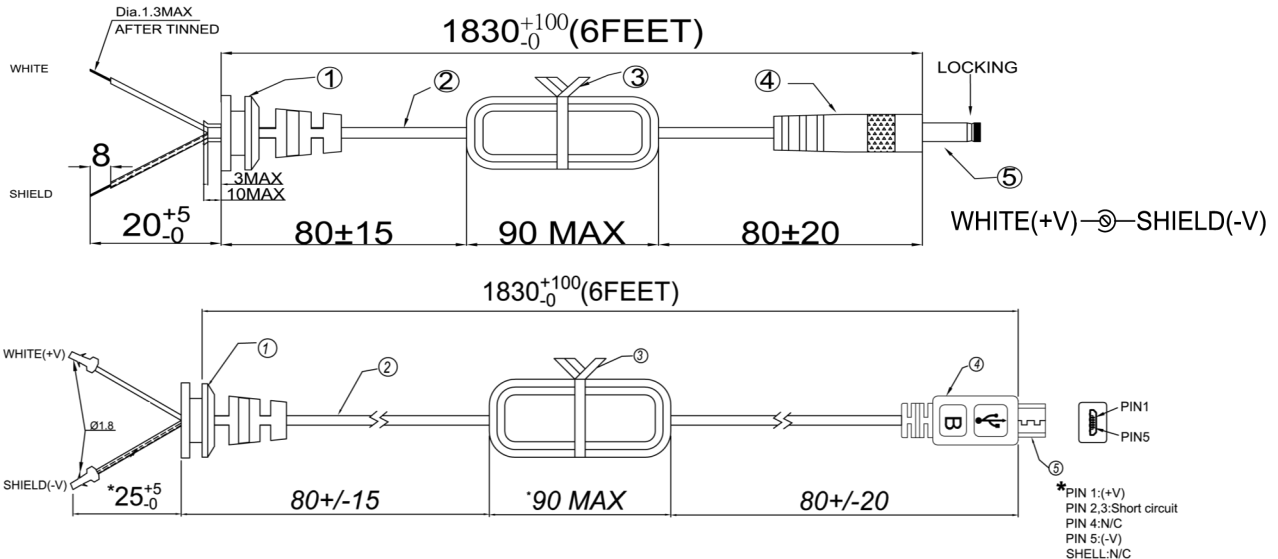
Mechanical specification (country housing):



Cable specification:

1185#20*1C + shield / 6FT (1830mm)

Micro USB : 1185#18*1C + shield / 6FT (1830mm)



Country of Origin : China
 Operating Temperature : 0~40 [°C]
 Dimension : 73 × 34 × 50 [mm]
 Efficiency level (ErP) : VI



Approvals / Marks :



Specifications

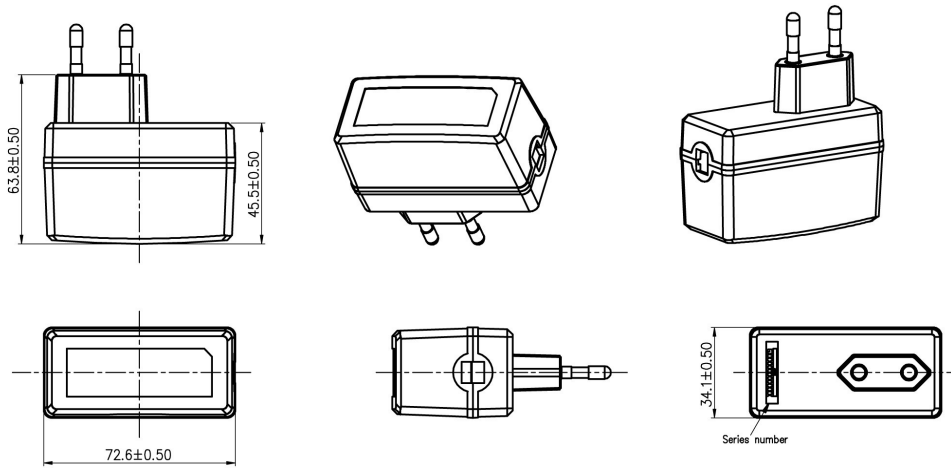
Model	Voltage DC [V]	Loading [A]	Max. Power [W]	Ripple / Noise [mV] p-p	Connector [mm]
SYS1531-1505-Wxx	5	0~3	15	150	2.1x5.5x11
SYS1531-1506-Wxx	6	0~2.5	15	150	2.1x5.5x11
SYS1531-1508-Wxx	7.5	0~2	15	180	2.1x5.5x11
SYS1531-1809-Wxx	9	0~2	18	180	2.1x5.5x11
SYS1531-2412-Wxx	12	0~2	24	180	2.1x5.5x11
SYS1531-2415-Wxx	15	0~1.6	24	200	2.1x5.5x11
SYS1531-2418-Wxx	18	0~1.33	24	200	2.1x5.5x11
SYS1531-2424-Wxx	24	0~1	24	280	2.1x5.5x11

Features:

PSU housing ready for use in country : Wxx = W2E - Europe | W3U - England | W2 - USA, Canada, Japan, Taiwan | W2A - Australia | W2C - China
 Output connector: standard: 2.1 x 5.5 x 11mm or customer requirement | Regulated Output With Low Ripple Noise | Safety Agency Requirements and EMI/EMS Certified

OUTPUT		CE	
Turn delay	3000 ms max @ AC low line input@output full load	EMC	2014/30/EU
Hold up time	5ms min@AC nominal input@output full load (>half cycle)	LVD	2014/35/EU EN 60950-1:2006+A11+A1+A12+A2 EN 62368-1
Efficiency (Normal)	Meet CEC,DOE,ERP,MEPS Level VI@115v/60HZ,230V/50HZ	SAFETY	
Transient response (dv,tmax)	0.4v dv max At AC nominal input loading from 50% load to max load or peak load 16ms tmax Dynamic rise time 10uS max , duty 40mS max , Dynamic load step is slew rate of 0.5A/uS	cULus GS CB CE FCC BSMI PSE SAA RCM	
Power out.Limit	Peak 28W	OTHERS	
Burn in limit	Full load 2 Hours	Dielectric Strength(Hi-pot)	Primary to Secondary:3000VAC 10mA/60S
Power consumption	Less than 0.075W ms max. At AC nominal input@output min load	M.T.B.F	500,000 Calculated Hours at 25°C, by Telcordia SR-332
INPUT		Cable Length	1800mm (6 feet) standard round cable or as required
Voltage	(90~264)VAC	PLD (power line disturbance)	Line power surge Line voltage SAG-more info on request
Frequency	(47~63)hz	Cooling method	Natural Convection Cooling
Current	0.5A rms @ AC low line input and DC output full load	Housing material	PC
Inrush Surge Current (cold start)	40/60A max@power supply cold start,ambient temperature 25°C @115Vac/230Vac nominal AC input	Temperature coefficient:	< ±0.5% / °C
leakage current	0.25mA Max	ENVIRONMENT	
PROTECTION		Temperature	Operating: 0~40°C / Storage: -20~85°C
Over current/ Short protection	The power supply will self-protect any output to ground & auto recovery when abnormal circuit faults remove. An output short circuit is defined as any output impedance less than 0.1 ohms.	Humidity	Operating: 8%~90%RH / Storage: 5%~95% RH non condensing
Over Voltage	The power supply will be auto recovered when faults remove	WEIGHT	
Input protection	F1 1A/250V Fuse The power supply shall be protected against power line surges and any abnormal condition	NW: 80g/pc	
No Load protection	The power supply is provided with no load operation to prevent the power supply and system from damage.	GW: 12kg/box	
Protection class	II, (ITU-T K.21 Surge 6KV on request)	PACKING	
		PE plastic bag	80 pcs /1 box

Mechanical case specification:



Mechanical specification (country housing):

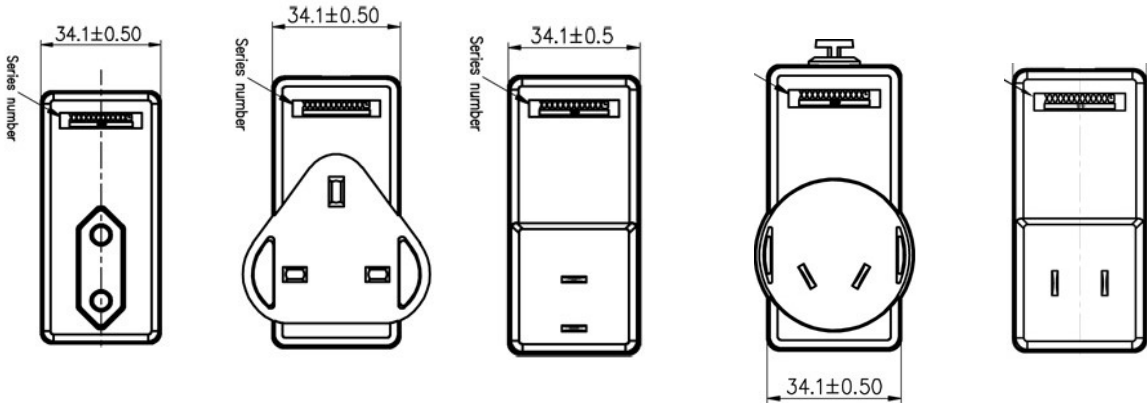
Europe type (W2E)

UK type (W3U)

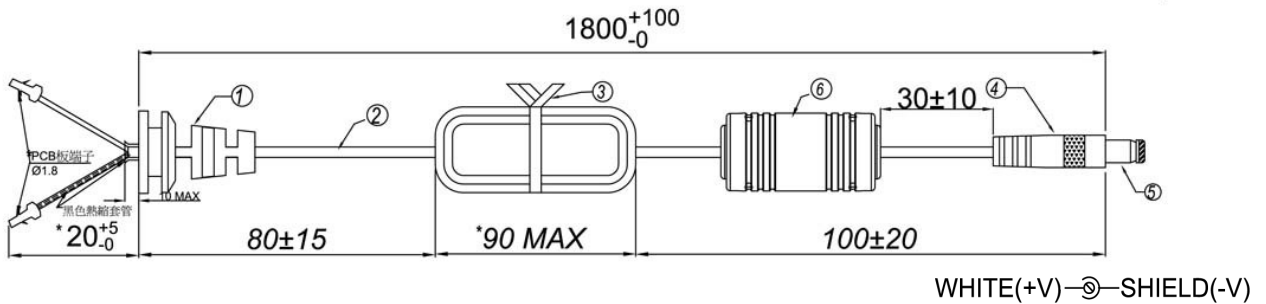
US / Japan type (W2)

Australia type (W2A)

China type (W2C)



Cable specification:





GREEN MODE

RoHS

Country of Origin : China
 Operating Temperature : 0~40 [°C]
 Dimension : 93.5 x 46 x 35.8 [mm]
 Certified AC Plugs: EU, UK, USA/Japan, Aus, Korea, Brazil, Argentina, China, India, S. Africa
 Efficiency level (ErP) : VI



Approvals / Marks :



Specifications

Model	Voltage DC [V]	Loading [A]	Max. Power [W]	Ripple / Noise [mV] p-p	Connector [mm]
SYS1541-1505-Wxx*	5 (setup 5.1)	0~3.0	15	180	2.1x5.5x11
SYS1541-1809-Wxx*	9	0~2.0	18	180	2.1x5.5x11
SYS1541-2412-Wxx*	12	0~2.0	24	180	2.1x5.5x11
SYS1541-2415-Wxx*	15	0~1.6	24	200	2.1x5.5x11
SYS1541-2418-Wxx*	18	0~1.33	24	240	2.1x5.5x11
SYS1541-2424-Wxx*	24	0~1.0	24	300	2.1x5.5x11

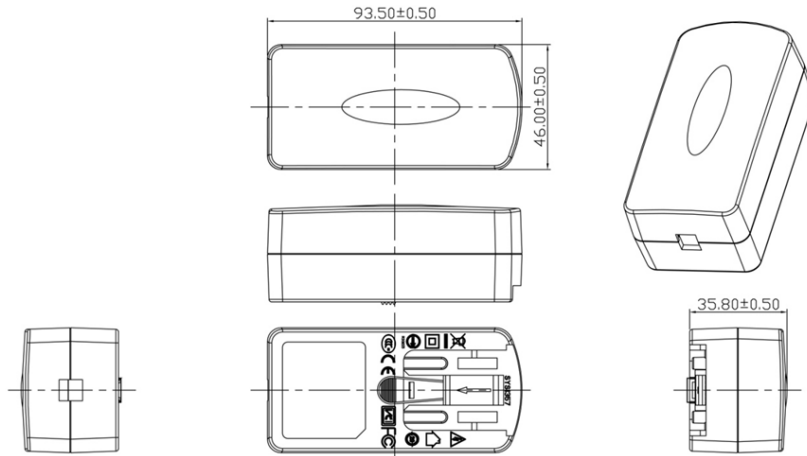
Features:

Certified plugs
 Wxx = W2E - Europe | W3U - England | W2 - USA, Canada, Japan, Taiwan | W2A - Australia | W2B - Brazil | W2G - Argentina | W2C - China | W2K - Korea | W2I - India | W3S - South Africa, India
 Output connector: standard: 2.1 x 5.5 x 11mm or customer requirement | Regulated Output With Low Ripple Noise | Safety Agency Requirements and EM/EMS Certified
 Private Label Marking Available | Modified and Custom Design Available | 2 Years Warranty

OUTPUT	
Turn delay	3000 ms max@AC low line input@output full load
Hold up time	5ms min@AC nominal input@output full load (>half cycle)
Efficiency (Normal)	Meet CEC,DOE,ERP,MEPS Level VI
Transient response (dv,tmax)	0.4V dv max At AC nominal input loading from 20%load to 80%load
	16ms tmax Dynamic rise time 10us max,duty 40ms
Power out.Limit	Peak 28w
Burn in limit	Full load 2 Hours
Power consumption	Less than 0.075W ms max. At AC nominal input@output min load
INPUT	
Voltage	(90~264)VAC
Frequency	(47~63)hz
Current	0.5A rms@AC low line input and DC output full load
Inrush Surge Current	40/60A max@power supply cold start,ambient temperature
leakage current	0.25mA Max
PROTECTION	
Over current/ Short protection	The power supply will self-protect any output to ground. And auto recovery when abnormal circuit faults remove .An output short circuit is defined as any output impedance of less than 0.1 ohms.
Over Voltage	The power supply will be auto recovered when faults remove
Input protection	F1:1A 250V Fuse The power supply shall be protected against power line surges and any abnormal condition
No Load protection	The power supply is provided with no load operation to prevent the power supply and system from damage.
Protection class	II, (ITU-T K.21 Surge 6KV on request)

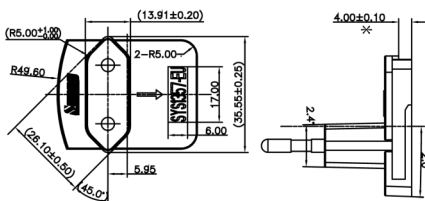
CE	
EMC	2014/30/EU
LVD	2014/35/EU EN 60950-1:2006+A11+A1+A12+A2 EN 62368-1
SAFETY	
CB CE GS FCC cULus CCC BSMI PSE KCC(1505,2412,2415,2424) SAA RCM PSB(2412,2424) NOM(2412) UKCA EAC INMETRO BIS(2412,2424) S-MARK UkrSE-PRO	
OTHERS	
Dielectric Strength (Hi-pot)	Primary to Secondary:3000VAC 10mA/60S
M.T.B.F	500,000 Calculated Hours at 25°C, by Telcordia SR-332
Cable Length	1500mm (5 feet) standard cable or as required
PLD	Line power surge Line voltage SAG-more info on request
Cooling method	Natural Convection Cooling
Housing material	PC
Temperature coefficient:	< ±0.5% / °C
ENVIRONMENT	
Temperature	Operating: 0~40°C / Storage: -20~85°C
Humidity	Operating: 8%~90%RH / Storage: 5%~95% RH non condensing
WEIGHT	
NW:	135g/pc
GW:	12.5kg/box
PACKING	
PE plastic bag	63 pcs/1 box

Mechanical case specification:

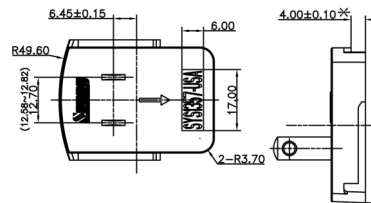


Mechanical specification (country housing):

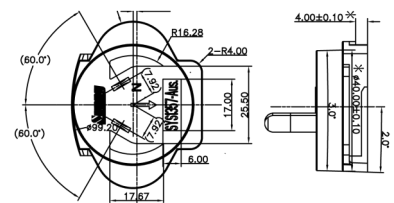
Europe type (W2E)



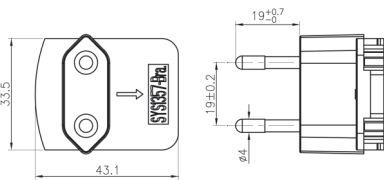
US type (W2)



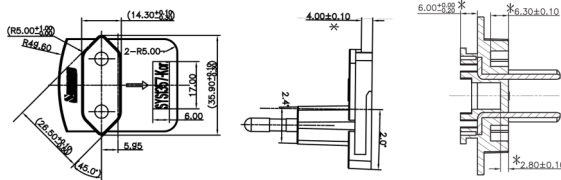
Australia type (W2A)



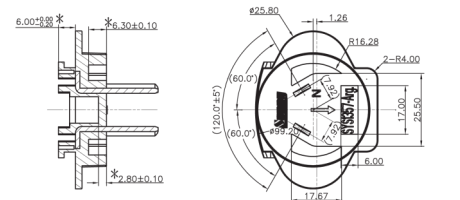
Brazil type (W2B)



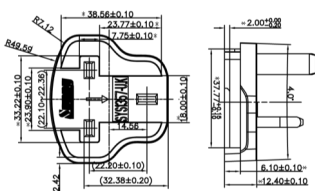
Korea type (W2K)



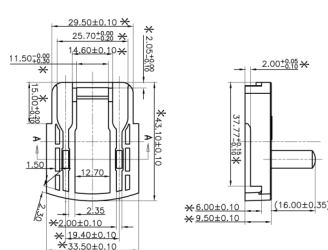
Argentina type (W2G)



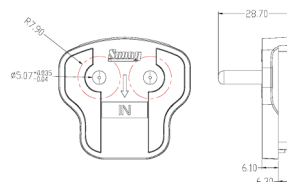
UK type (W3U)



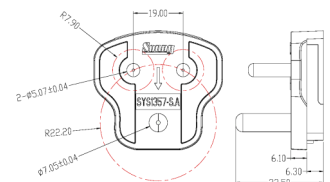
China type (W2C)



India type (W2I)

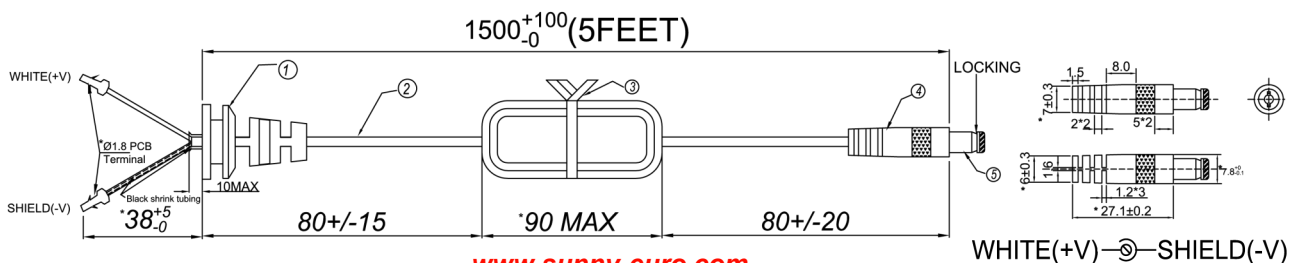


South Africa, India type (W3S)



Cable specification:

1185#18*1C | 1500mm



Country of Origin : China
 Operating Temperature : 0~40 [°C]
 Dimension : 75 x 34 x 43 [mm]
 Efficiency level (ErP) : VI



Approvals / Marks :



Specifications

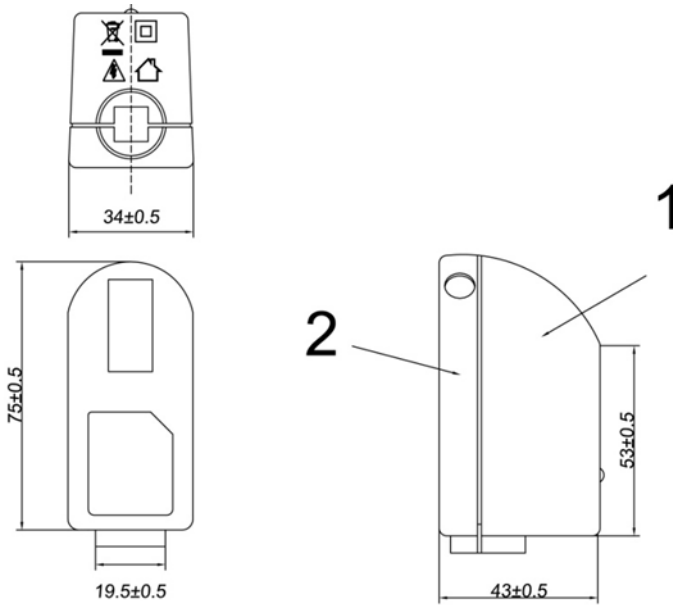
Model	Voltage DC [V]	Loading [A]	Max. Power [W]	Ripple / Noise [mV] p-p	Connector [mm]
SYS1308N-2412-special	12	0~2.00	24	200	2.1x5.5x11

Features:

Output connector: standard: 2.1 x 5.5 x 11mm or customer requirement | Regulated Output With Low Ripple Noise | Safety Agency Requirements and EMI/EMS Certified
 Private Label Marking Available | Modified and Custom Design Available | 2 Years Warranty

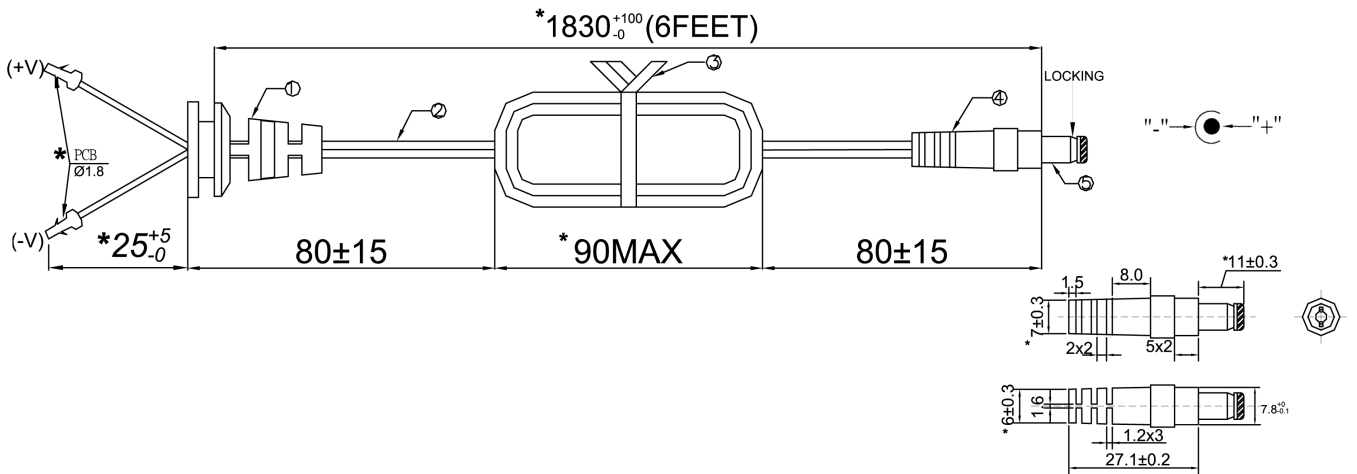
OUTPUT		CE	
Turn delay	3000ms max 3S max on the condition that input volotage 230V,	EMC	2014/30/EU
Hold up time	5ms min@AC nominal input@output full load	LVD	2014/35/EU EN 62368-1
Efficiency	>86.2% min. Eff= 0.071 x ln(Po/1W) - 0.0014 x Po/1W + 0.67 Directive EU 2019/1782	SAFETY	
Transient response (dv,tmax)	0.6V dv max At AC nominal input loading from 20%load to 80% load 10ms tmax Dynamic rise time 10 us max,duty 40ms	CE	
Burn in limit	Ambient temp: 35C+/-3%; 80% load; input voltage 230V; 2 hours.	OTHERS	
Power consumption	0.1W max. At AC nominal input@output min load	Dielectric Strength (Hi-pot)	HI-POT B / IEC 320 2pin primary to secondary 4000Vdc 10mA 1min
INPUT		M.T.B.F	500,000 Calculated Hours at 25°C, by Telcordia SR -332
Voltage	(90~264)VAC	Cable Length	1830mm (6 feet) standard cable or as required
Frequency	(47 ~ 63)Hz	PLD (power line disturbance)	Line power surge Line voltage SAG-more info on request
Current	1A rms@AC low line input and DC output full load	Cooling method	Natural Convection Cooling
Inrush Surge Current	60A max@power supply cold start, ambient temperature 25°C	Housing material	PC
leakage current	<0.25 mA @ 240VAC input	Temperature coefficient:	<±0.5%/°C
PROTECTION		ENVIRONMENT	
Over current/ Short protection	The power supply will self-protect any output to ground, And auto recovery when abnormal circuit faults remove. An output short circuit is defined as any output impedance of less than 0.1 ohms.	Temperature	Operating: 0~40°C / Storage: -20%~85%RH non condensing
Over Voltage	The power supply will not be auto recovered when faults remove 110%-150%. (Voltage limit)	Humidity	Operating: 8%~90%RH / Storage: 5%~95% RH non condensing
Input protection	2A/250V Fuse. F2 connected from MOV(Varistor) to remaining PS circuitry to protect PS from excessive current draw.	WEIGHT	
No Load protection	The power supply is provided with no load operation to prevent the power supply and system from damage.	NW: 105g/pc + plug	
Protection class	II	GW: 122g/pc + plug	
		PACKING	
		Box	80 pcs/1 box

Mechanical case specification:

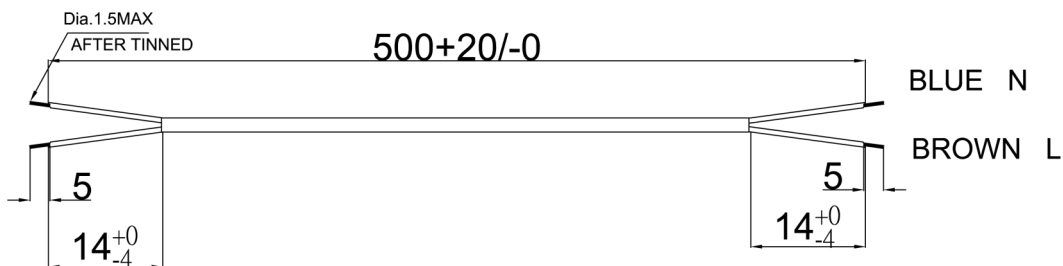


Cable specification:

A) DC-output: STP-1#18AWG*2C (2.1*5.5*11)



B) AC-input :



Country of Origin : China
 Operating Temperature : 0~40 [°C]
 Dimension : 75 x 34 x 89 [mm]
 Efficiency level (ErP) : VI



Approvals / Marks :



Specifications

Model	Voltage DC [V]	Loading [A]	Max. Power [W]	Ripple / Noise [mV] p-p	Connector [mm]
SYS1588-2005-W2E	5.1	0~4	20.4	120	2.1x5.5x11
SYS1588-2005-W2E	5.1	0~4	20.4	120	USB-C
SYS1588-2406-W2E	6	0~4	24	120	2.1x5.5x11
SYS1588-3009-W2E	9	0~3.33	30	120	2.1x5.5x11
SYS1588-3012-W2E	12	0~2.5	30	200	2.1x5.5x11
SYS1588-3015-W2E	15	0~2.0	30	200	2.1x5.5x11
SYS1588-3018-W2E	18	0~1.66	30	240	2.1x5.5x11
SYS1588-3024-W2E	24	0~1.25	30	240	2.1x5.5x11
SYS1588-3048-W2E	48	0~0.63	30	400	2.1x5.5x11

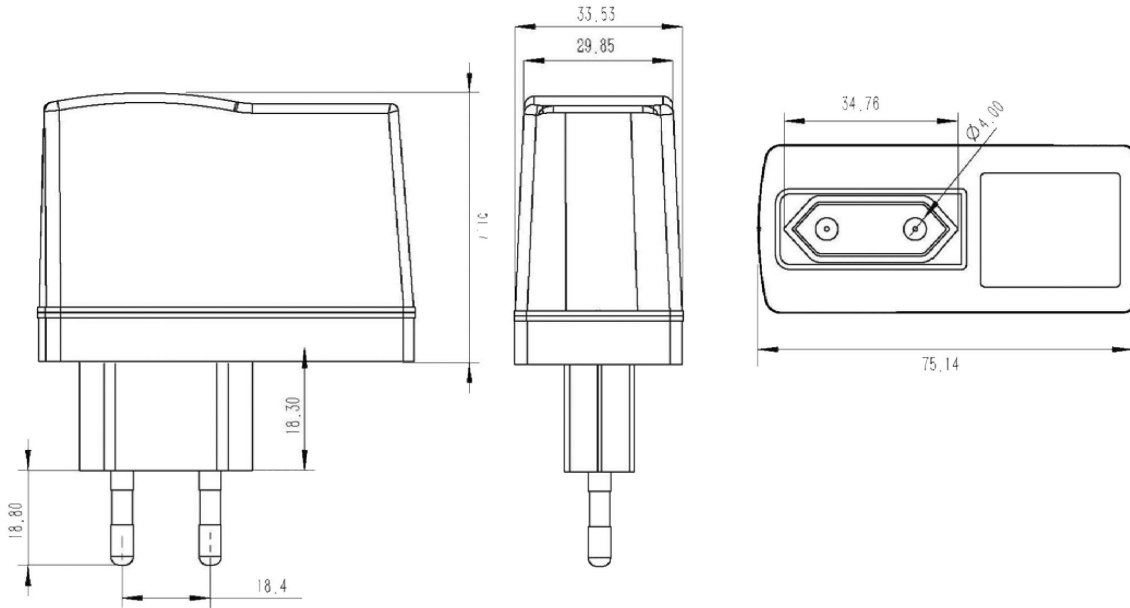
Features:

Output connector: standard: 2.1 x 5.5 x 11mm or customer requirement | Regulated Output With Low Ripple Noise | Safety Agency Requirements and EMI/EMS Certified
 Private Label Marking Available | Modified and Custom Design Available | 2 Years Warranty

OUTPUT	
Turn delay	5000 ms max@AC low line input@output full load
Hold up time	8ms min@AC nominal input@output full load
Efficiency (Normal)	>85%@115v/60HZ,230V/50HZ input &Full load
Transient response (dv,tmax)	0.4V dv max At AC nominal input loading from 20%load to 80% load
	16ms tmax Dynamic rise time 10 us max,duty 40ms max,Dynamic load step is slew rate of 0.5A/us
Power out.Limit	30W
Burn in limit	Full load 2 Hours
Power consumption	0.1W max. At AC nominal input@output min load
INPUT	
Voltage	(90~264)VAC
Frequency	(47~63)hz
Current	1.5A rms@AC low line input and DC output full load
Inrush Surge Current (cold start)	40/60A max@power supply cold start,ambient temperature 25°C @115Vac/230Vac nominal AC input
leakage current	0.25mA Max
PROTECTION	
Over current/ Short protection	The power supply will be auto recovered when over current or short circuit faults remove (fold back). Is defined as any output impedance of less than 0.1Ω. The power supply will be auto recovered when short circuit faults remove
Over Voltage	The power supply shall be self-recovering when the fault condition is removed.
Input protection	The switching adaptor use 3.15A fuse.
No Load protection	The power supply is provided with no load operation to prevent the power supply and system from damage.
Protection class	II, (ITU-T K.21 Surge 6KV on request)

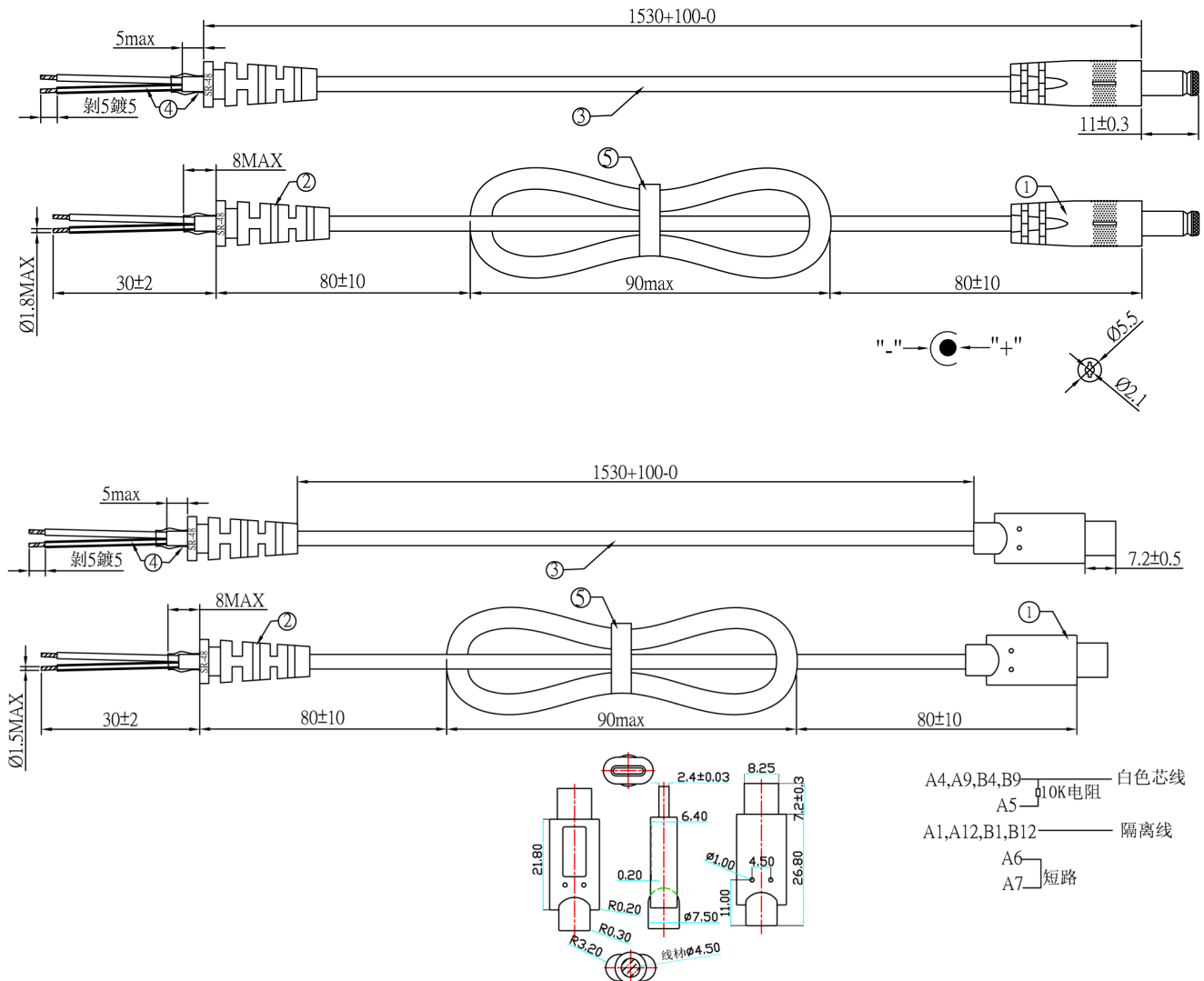
CE	
EMC	2014/30/EU
LVD	2014/35/EU EN 60950-1:2006+A11+A1+A12+A2 EN 62368-1
SAFETY	
CE GS cTUVus EAC	
OTHERS	
Dielectric Strength (Hi-pot)	I/P-O/P:3000VAC
M.T.B.F	500,000 Calculated Hours at 25°C, by Telcordia SR-332
Cable Length	1370mm (4.5 feet) standard cable or as required
PLD (power line disturbance)	Line power surge Line voltage SAG-more info on request
Cooling method	Natural Convection Cooling
Housing material	PC + ABS
Temperature coefficient:	< ±0.5% / °C
ENVIRONMENT	
Temperature	Operating: 0~40°C / Storage: -20~85°C
Humidity	Operating: 8%~90%RH / Storage: 5%~95% RH non condensing
WEIGHT	
NW: 158g/pc	
GW: 178g/pc	
PACKING	
Box	80 pcs/1 box

Mechanical case specification:



Cable specification:

1185#16AWG*1C|



- A4,A9,B4,B9 — 白色芯线
- A5 — 10K电阻
- A1,A12,B1,B12 — 隔离线
- A6 — 短路
- A7 — 短路



GREEN MODE

RoHS

Country of Origin : China
 Operating Temperature : 0~40 [°C]
 Dimension : 80x 58x 39 [mm]
 Certified AC Plugs: EU, UK, USA/Japan/Taiwan, Aus, China, Korea
 Efficiency level (ErP) : VI



Approvals / Marks :



Specifications

Model	Voltage DC [V]	Loading [A]	Max. Power [W]	Ripple / Noise [mV] p-p	Connector [mm]
SYS1588-2005-Wxx*	5.1	0~4.0	20.4	120	2.1x5.5x11
SYS1588-2406-Wxx*	6	0~4.0	24	120	2.1x5.5x11
SYS1588-2709-Wxx*	9	0~3.0	27	120	2.1x5.5x11
SYS1588-3012-Wxx*	12	0~2.5	30	200	2.1x5.5x11
SYS1588-3015-Wxx*	15	0~2.0	30	200	2.1x5.5x11
SYS1588-3018-Wxx*	18	0~1.66	30	240	2.1x5.5x11
SYS1588-3024-Wxx*	24	0~1.25	30	240	2.1x5.5x11
SYS1588-3048-Wxx*	48	0~0.63	30	400	2.1x5.5x11

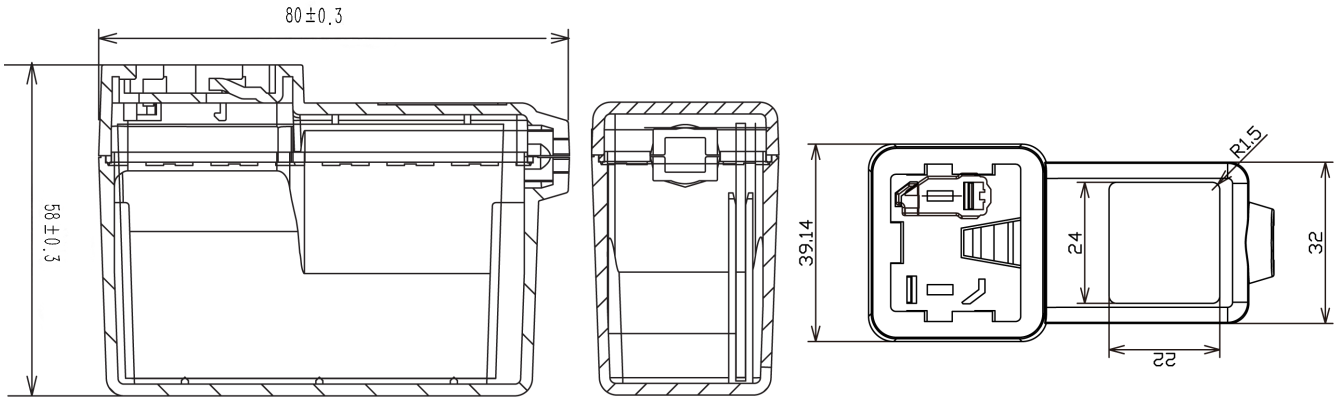
Features:

Certified plugs Wxx = W2E - Europe | W3U - England | W2 - USA, Canada, Japan, Taiwan | W2A - Australia | W2C - China | W2K - Korea
 Output connector: standard: 2.1 x 5.5 x 11mm or customer requirement | Regulated Output With Low Ripple Noise | Safety Agency Requirements and EM/EMS Certified
 Private Label Marking Available | Modified and Custom Design Available | 2 Years Warranty

OUTPUT	
Turn delay	5000 ms max@AC low line input@output full load
Hold up time	8ms min@AC nominal input@output full load
Efficiency (Normal)	>85%@115v/60HZ,230V/50HZ input & Full load
Transient response (dv,tmax)	0.4V dv max At AC nominal input loading from 20%load to 80% load
	16ms tmax Dynamic rise time 10 us max,duty 40ms max,Dynamic load step is slew rate of 0.5A/us
Power out.Limit	30W
Burn in limit	Full load 2 Hours
Power consumption	0.1W max. At AC nominal input@output min load
INPUT	
Voltage	(90~264)VAC
Frequency	(47~63)hz
Current	1.5A rms@AC low line input and DC output full load
Inrush Surge Current (cold start)	40/60A max@power supply cold start,ambient temperature 25°C @115Vac/230Vac nominal AC input
leakage current	In 264Vac input,leakage current of input can not more than 0.25mA
PROTECTION	
Over current/ Short protection	The power supply will be auto recovered when over current or short circuit faults remove (fold back). Is defined as any output impedance of less than 0.1Ω.The power supply will be auto recovered when short circuit faults remove
Over Voltage	The power supply shall be self-recovering when the fault condition is removed.
Input protection	The switching adaptor use 3.15A fuse.
No Load protection	The power supply is provided with no load operation to prevent the power supply and system from damage.
Protection class	II, (ITU-T K.21 Surge 6KV on request)

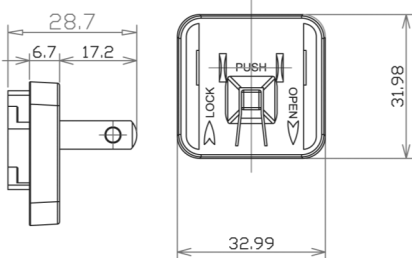
CE	
EMC	2014/30/EU
LVD	2014/35/EU EN 60950-1:2006+A11+A1+A12+A2 EN 62368-1
SAFETY	
cTUVus FCC GS CE CB RCM SAA PSE EAC UKCA	
OTHERS	
Dielectric Strength (Hi-pot)	I/P-O/P:3000VAC
M.T.B.F	500,000 Calculated Hours at 25°C, by Telcordia SR-332
Cable Length	1370mm (4.5 feet) standard cable or as required
PLD	Line power surge Line voltage SAG-more info on request
Cooling method	Natural Convection Cooling
Housing material	PC + ABS
Temperature coefficient:	< ±0.5% / °C
ENVIRONMENT	
Temperature	Operating: 0~40°C / Storage: -20~85°C
Humidity	Operating: 8%~90%RH / Storage: 5%~95% RH non condensing
WEIGHT	
NW: 173g/pc + plug	
GW: 193g/pc + plug	
PACKING	
Box	75 pcs/1 box

Mechanical case specification:

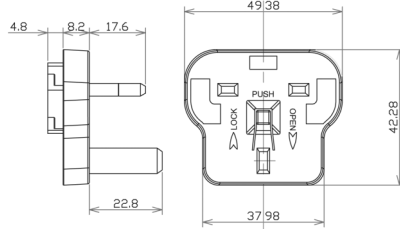


Mechanical specification (country housing):

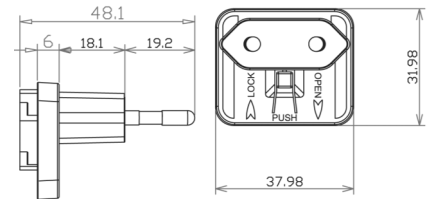
US / Japan type (W2)



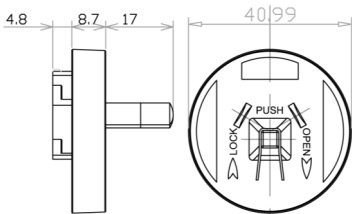
UK type (W3U)



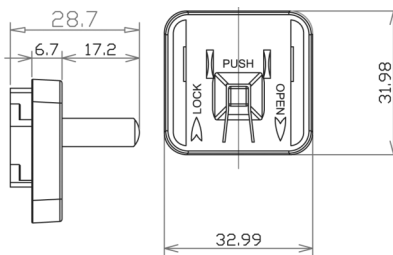
Europe type (W2E)



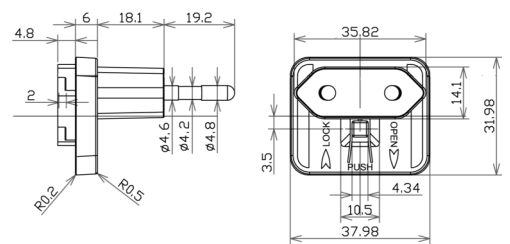
Australia type (W2A)



China type (W2C)

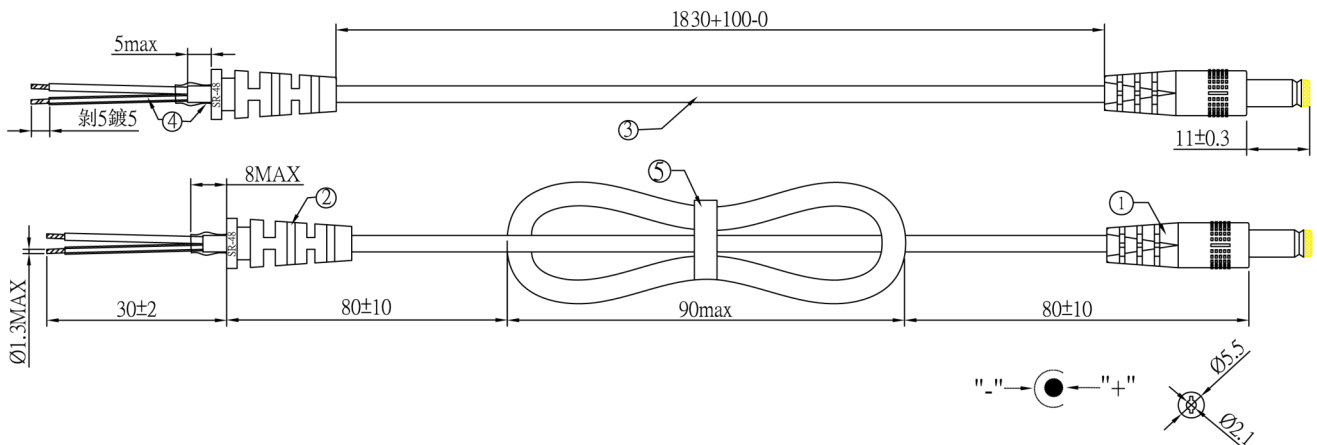


Korea type (W2K)



Cable specification:

1185#16AWG*1C/5FEET / 1185#20AWG/6FEET|1530mm -1830mm



Country of Origin : China
 Operating Temperature : 0~40 [°C]
 Dimension : 80x 58x 39 [mm]
 Certified AC Plugs: EU, UK, USA/Japan/Taiwan, Aus, China, Korea
 Efficiency level (ErP) : VI



Approvals / Marks :



Specifications

Model	Voltage DC [V]	Loading [A]	Max. Power [W]	Ripple / Noise [mV] p-p	Connector [mm]
SYS1588-2505-Wxx*	5	0~5	25	120	2.1x5.5x11
SYS1588-3609-Wxx*	9	0~4	36	120	2.1x5.5x11
SYS1588-4012-Wxx*	12	0~3.3	40	200	2.1x5.5x11
SYS1588-4015-Wxx*	15	0~2.6	40	200	2.1x5.5x11
SYS1588-4018-Wxx*	18	0~2.2	40	240	2.1x5.5x11
SYS1588-4024-Wxx*	24	0~1.6	40	240	2.1x5.5x11
SYS1588-4048-Wxx*	48	0~0.8	40	400	2.1x5.5x11

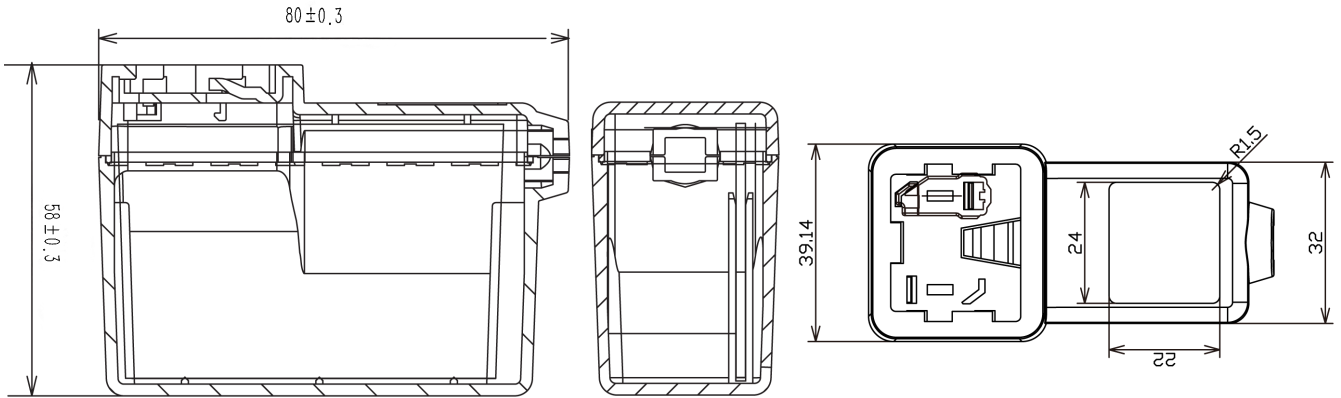
Features:

Certified plugs Wxx = W2E - Europe | W3U - England | W2 - USA, Canada, Japan, Taiwan | W2A - Australia | W2C - China | W2K - Korea
 Output connector: standard: 2.1 x 5.5 x 11mm or customer requirement | Regulated Output With Low Ripple Noise | Safety Agency Requirements and EM/EMS Certified
 Private Label Marking Available | Modified and Custom Design Available | 2 Years Warranty

OUTPUT	
Turn delay	5000 ms max@AC low line input@output full load
Hold up time	8ms min@AC nominal input@output full load
Efficiency (Normal)	>87%@115v/60HZ,230V/50HZ input & Full load
Transient response (dv,tmax)	0.4V dv max At AC nominal input loading from 20%load to 80% load 16ms tmax Dynamic rise time 10 us max,duty 40ms max,Dynamic load step is slew rate of 0.5A/us
Power out.Limit	40W
Burn in limit	Full load 2 Hours
Power consumption	0.1W max. At AC nominal input@output min load
INPUT	
Voltage	(90~264)VAC
Frequency	(47~63)hz
Current	1.5A rms@AC low line input and DC output full load
Inrush Surge Current (cold start)	40/60A max@power supply cold start,ambient temperature 25°C @115Vac/230Vac nominal AC input
leakage current	5mA maximum,At nominal AC input voltage and frequency.
PROTECTION	
Over current/ Short protection	The power supply will be auto recovered when over current or short circuit faults remove (fold back). Is defined as any output impedance of less than 0.1Ω.The power supply will be auto recovered when short circuit faults remove
Over Voltage	The power supply shall be self-recovering when the fault condition is removed.
Input protection	The switching adaptor use 2.0A fuse.
No Load protection	The power supply is provided with no load operation to prevent the power supply and system from damage.
Protection class	II, (ITU-T K.21 Surge 6KV on request)

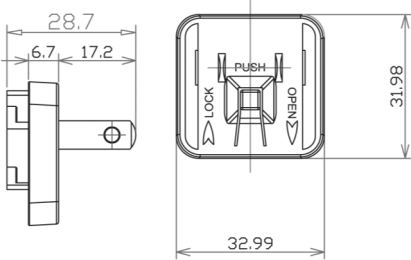
CE	
EMC	2014/30/EU
LVD	2014/35/EU EN 60950-1:2006+A11+A1+A12+A2 EN 62368-1
SAFETY	
cTUVus FCC GS CE CB RCM SAA PSE EAC UKCA	
OTHERS	
Dielectric Strength (Hi-pot)	I/P-O/P:3000VAC
M.T.B.F	500,000 Calculated Hours at 25°C, by Telcordia SR-332
Cable Length	1370mm (4.5 feet) standard cable or as required
PLD	Line power surge Line voltage SAG-more info on request
Cooling method	Natural Convection Cooling
Housing material	PC + ABS
Temperature coefficient:	< ±0.5% / °C
ENVIRONMENT	
Temperature	Operating: 0~40°C / Storage: -20~85°C
Humidity	Operating: 8%~90%RH / Storage: 5%~95% RH non condensing
WEIGHT	
NW: 173g/pc + plug	
GW: 193g/pc + plug	
PACKING	
Box	75 pcs/1 box

Mechanical case specification:

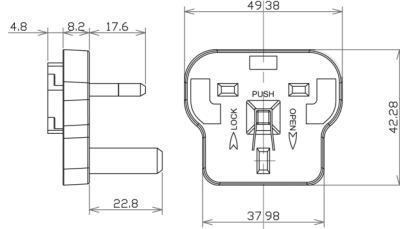


Mechanical specification (country housing):

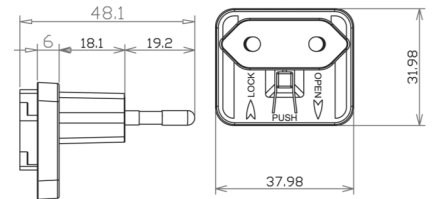
US / Japan type (W2)



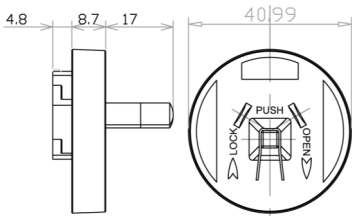
UK type (W3U)



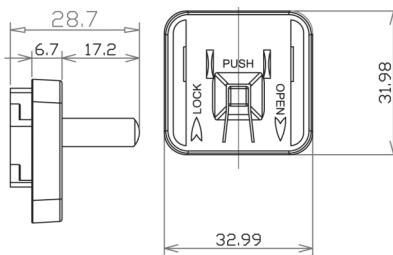
Europe type (W2E)



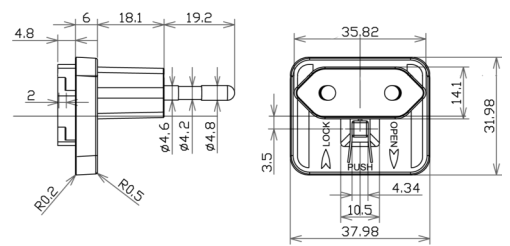
Australia type (W2A)



China type (W2C)

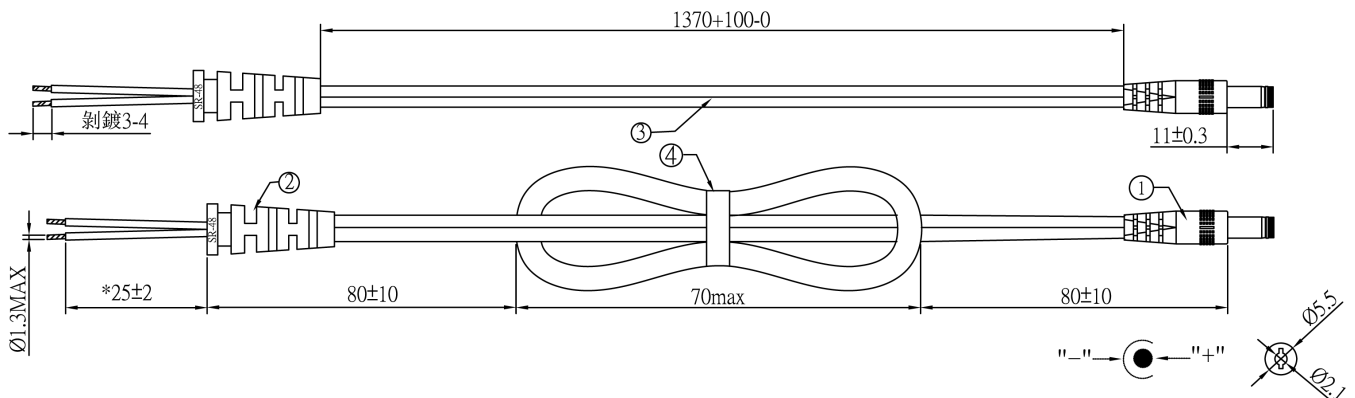


Korea type (W2K)



Cable specification:

2468#18AWG*2C



Country of Origin : China
 Operating Temperature : 0~40 [°C]
 Dimension : 58 × 58 × 28 [mm] (for 30W model)
 65 × 65 × 28[mm] (for 45&60W models)

Efficiency level (ErP) : VI

Approvals / Marks :



Specifications

Model	Voltage DC/Loading [V/A]	Max. Power [W]	Ripple / Noise [mV] p-p	Connector
SYS1621-Type C 30	5V/3A, 9V/3A, 12V/2.5A, 15V/2A, 20V/1.5A	30	300	USB-C
SYS1621-Type C 45	5V/3A, 9V/3A, 12V/3A, 15V/3A, 20V/2.2A	45	300	USB-C
SYS1621-Type C 60	5V/3A, 9V/3A, 12V/3A, 15V/3A, 20V/3A	60	300	USB-C

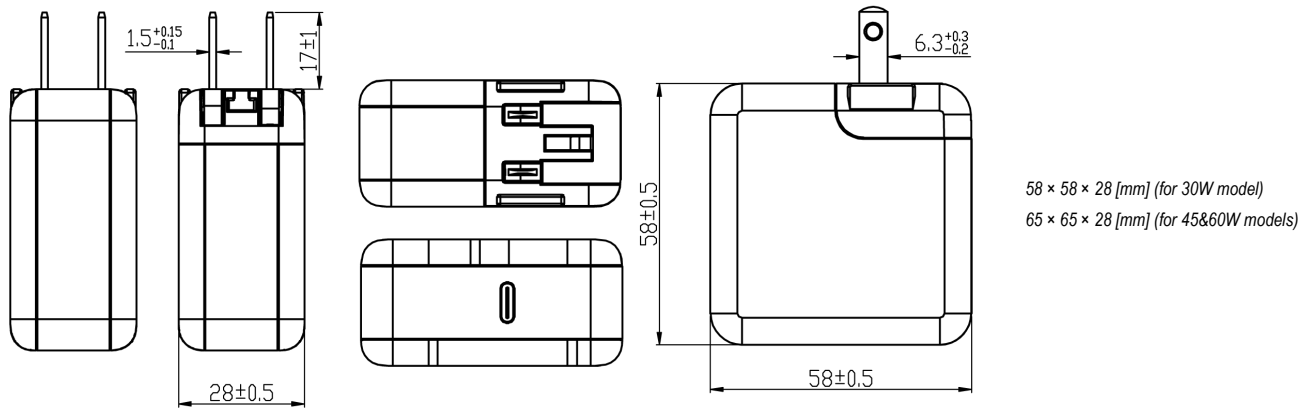
Features:

PSU housing ready for use in country : Wxx = W2E - Europe | W3U - England | W2 - USA, Canada, Japan (fixed) | W2A - Australia | W2G - Argentina | W2K - Korea
 Output connector: Regulated Output With Low Ripple Noise | Safety Agency Requirements and EMI/EMS Certified
 Private Label Marking Available | Modified and Custom Design Available | 2 Years Warranty | Power delivery

OUTPUT	
Turn delay	5000 ms max @ AC low line input@output full load
Hold up time	10ms min@AC nominal input@output full load (>half cycle)
Efficiency (Normal)	Meet CEC,DOE,ERP,MEPS Level VI@115v/60HZ,230V/50HZ
Transient response (dv,tmax)	0.4v dv max At AC nominal input loading from 50% load to max load or peak load 16ms tmax Dynamic rise time 10uS max duty 40mS max , Dynamic load step is slew rate of 0.5A/uS
Power out.Limit	30-60W based on the model
Burn in limit	Full load 2 Hours
Power consumption	0.10W for Type C 30W and 45W 0.21W for Type C 60W
Output regulation	Auto-detect the charging voltage and current for Type C and iOS devices. Meet PD3.0,QC 3.0 requirements rules
INPUT	
Voltage	(90~264)VAC
Frequency	(47~63)hz
Current	1.5A rms @ AC low line input and DC output full load
Inrush Surge Current (cold start)	40/60A max@power supply cold start,ambient temperature 25°C @115Vac/230Vac nominal AC input
leakage current	0.25mA Max
PROTECTION	
Over current/ Short protection	The power supply will self-protect any output to ground & auto recovery when abnormal circuit faults remove. An output short circuit is defined as any output impedance less than 0.1 ohms.
Over Voltage	The power supply will be auto recovered when faults remove
Input protection	F1 2A/250V Fuse The power supply shall be protected against power line surges and any abnormal condition
No Load protection	The power supply is provided with no load operation to prevent the power supply and system from damage.
Protection class	II

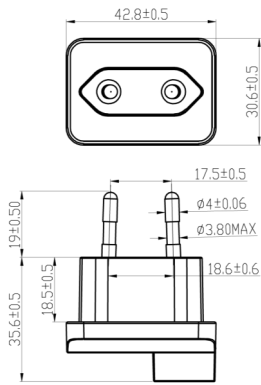
CE	
EMC	2014/30/EU
LVD	2014/35/EU EN 62368-1:2014+A11:2017
SAFETY	
CE FCC	
OTHERS	
Dielectric Strength(Hi-pot)	Primary to Secondary:3000VAC 10mA/60S
M.T.B.F	500,000 Calculated Hours at 25°C, by Telcordia SR-332
DC output	Type C
PLD (power line disturbance)	Line power surge Line voltage SAG-more info on request
Cooling method	Natural Convection Cooling
Housing material	PC
Temperature coefficient:	<±0.5%/°C
ENVIRONMENT	
Temperature	Operating: 0~40°C / Storage: -20~85°C
Humidity	Operating: 8%~90%RH / Storage: 5%~95% RH non condens-ing
WEIGHT	
NW: 150g/pc	
GW: 16kg/box	
PACKING	
PE plastic bag	100 pcs /1 box

Mechanical case specification: + fixed plug US / Japan type (W2)

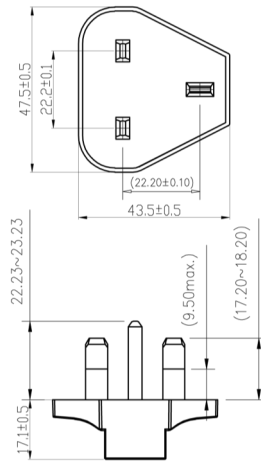


Mechanical specification (country housing):

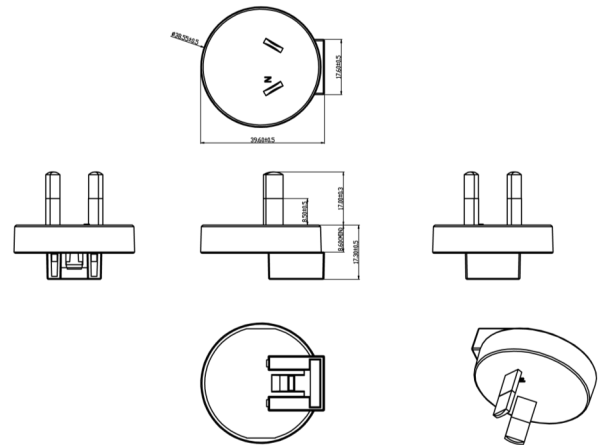
Europe type (W2E)



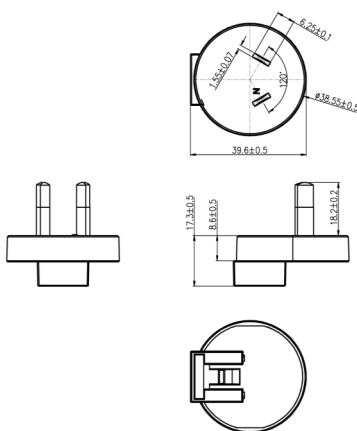
UK type (W3U)



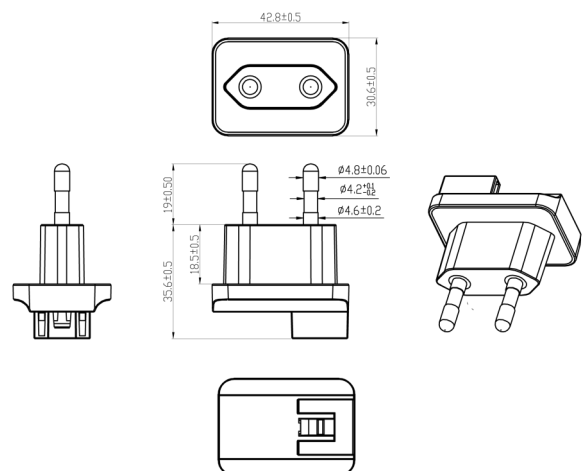
Australia type (W2A)



Argentina (W2G)



Korea (W2K)



Country of Origin : China
 Operating Temperature : 0~40 [°C]
 Dimension : 80 × 39× 27 [mm]
 Efficiency level (ErP) : VI



Approvals / Marks :



Specifications

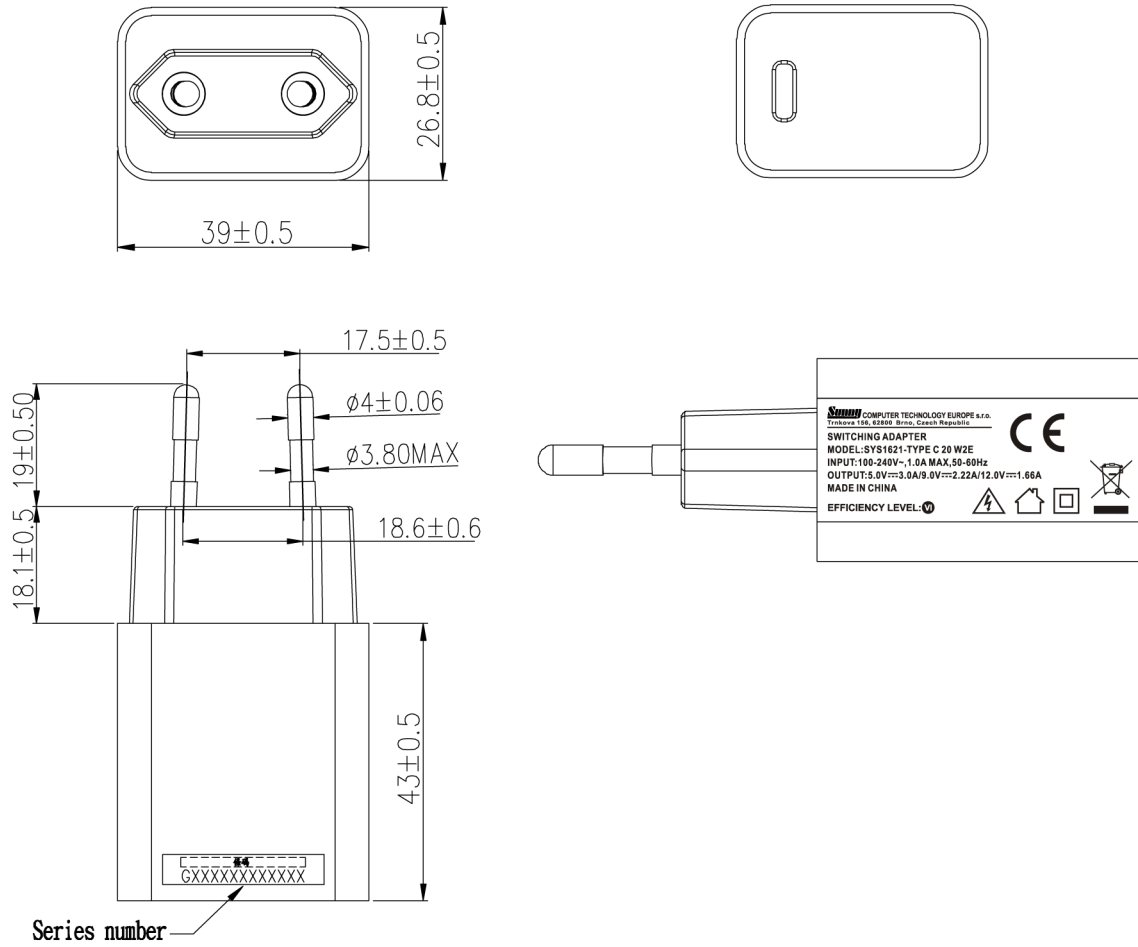
Model	Voltage DC/Loading [V/A]	Max. Power [W]	Ripple / Noise [mV] p-p	Connector
SYS1621-Type C 20	5V/3A, 9V/2.22A, 12V/1.66A	20	300	USB-C

Features:

PSU housing ready for use in country : Wxx = W2E - Europe
 Output connector: Regulated Output With Low Ripple Noise | Safety Agency Requirements and EMI/EMS Certified
 Private Label Marking Available | Modified and Custom Design Available | 2 Years Warranty | Power delivery

OUTPUT		CE	
Turn delay	3000 ms max @ AC low line input@output full load	EMC	2014/30/EU
Hold up time	10ms min@AC nominal input@output full load (>half cycle)	LVD	2014/35/EU EN 62368-1:2014+A11:2017
Efficiency (Normal)	Meet CEC,DOE,ERP,MEPS Level	SAFETY	
Transient response (dv,tmax)	0.4v dv max At AC nominal input loading from 50% load to max load or peak load	CE	
	Dynamic rise time 10uS max , duty 40mS max , Dynamic load step is slew rate of 0.5A/uS	OTHERS	
Power out.Limit	20W	Dielectric Strength(Hi-pot)	Primary to Secondary:4000VAC 10mA/60S
Burn in limit	Full load 2 Hours	M.T.B.F	500,000 Calculated Hours at 25°C, by Telcordia SR-332
Power consumption	0.1W	DC output	Type C
Output regulation	Auto-detect the charging voltage and current for Type C and iOS devices. Meet PD3.0,QC 3.0 requirements rules	PLD (power line disturbance)	Line power surge Line voltage SAG-more info on request
INPUT		Cooling method	Natural Convection Cooling
Voltage	(90~264)VAC	Housing material	PC
Frequency	(47~63)hz	Temperature coefficient:	<±0.5%/°C
Current	1.5A rms @ AC low line input and DC output full load	ENVIRONMENT	
Inrush Surge Current	40/60A max@power supply cold start,ambient temperature	Temperature	Operating: 0~40°C / Storage: -20~85°C
leakage current	0.25mA Max	Humidity	Operating: 8%~90%RH / Storage: 5%~95% RH non condensing
PROTECTION		WEIGHT	
Over current/ Short protection	The car charger shall be protected from damage of accidentally when the I/P voltage is between AC normal. The O/P short protection could be protected forever, input power do not exceed 5W when output is shorted.	NW: 51g/pc	
Over Voltage	The power supply will be auto recovered when faults remove	GW: ??kg/box	
Input protection	F1 2A/250V Fuse The power supply shall be protected against power line surges and any abnormal condition	PACKING	
No Load protection	The power supply is provided with no load operation to prevent the power supply and system from damage.	PE plastic bag	150 pcs /1 box
Protection class	II		

Mechanical case specification:



Country of Origin : China
 Operating Temperature : 0~40 [°C]
 Dimension : 58 × 58 × 28 [mm] (for 30W model)
 65 × 65 × 28 [mm] (for 45&60W models)
 Efficiency level (ErP) : VI



Approvals / Marks :



Specifications

Model	Voltage DC/Loading [V/A]	Max. Power [W]	Ripple / Noise [mV] p-p	Connector
SYS1621-Type C 30	5V/3A, 9V/3A, 12V/2.5A, 15V/2A, 20V/1.5A	30	150	USB-C
SYS1621-Type C 45	5V/3A, 9V/3A, 12V/3A, 15V/3A, 20V/2.2A	45	150	USB-C
SYS1621-Type C 60	5V/3A, 9V/3A, 12V/3A, 15V/3A, 20V/3A	60	200	USB-C

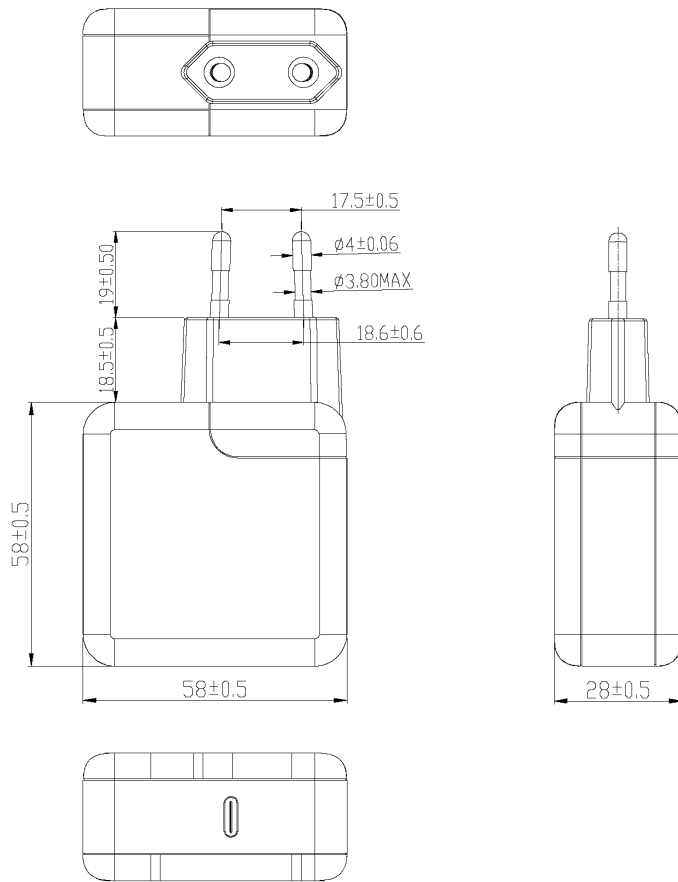
Features:

PSU housing ready for use in country : Wxx = W2E - Europe
 Output connector: Regulated Output With Low Ripple Noise | Safety Agency Requirements and EMI/EMS Certified
 Private Label Marking Available | Modified and Custom Design Available | 2 Years Warranty | Power delivery

OUTPUT	
Turn delay	5000 ms max @ AC low line input@output full load
Hold up time	10ms min@AC nominal input@output full load (>half cycle)
Efficiency (Normal)	Meet CEC,DOE,ERP,MEPS Level
Transient response (dv,tmax)	0.4v dv max At AC nominal input loading from 50% load to max load or peak load 16ms tmax Dynamic rise time 10uS max , duty 40mS max , Dynamic load step is slew rate of 0.5A/uS
Power out.Limit	30-60W based on the model
Burn in limit	Full load 2 Hours
Power consumption	0.075W for Type C 30W and 45W 0.15W for Type C 60W
Output regulation	Auto-detect the charging voltage and current for Type C and iOS devices. Meet PD3.0,QC 3.0 requirements rules
INPUT	
Voltage	(90~264)VAC
Frequency	(47~63)hz
Current	1.5A rms @ AC low line input and DC output full load
Inrush Surge Current	40/60A max@power supply cold start,ambient temperature
leakage current	0.25mA Max
PROTECTION	
Over current/ Short protection	The power supply will self-protect any output to ground & auto recovery when abnormal circuit faults remove. An output short circuit is defined as any output impedance less than 0.1 ohms.
Over Voltage	The power supply will be auto recovered when faults remove
Input protection	F1 2A/250V Fuse The power supply shall be protected against power line surges and any abnormal condition
No Load protection	The power supply is provided with no load operation to prevent the power supply and system from damage.
Protection class	II


CE	
EMC	2014/30/EU
LVD	2014/35/EU EN 62368-1:2014+A11:2017
SAFETY	
CE	
OTHERS	
Dielectric Strength(Hi-pot)	Primary to Secondary:3000VAC 10mA/60S
M.T.B.F	500,000 Calculated Hours at 25°C, by Telcordia SR-332
DC output	Type C
PLD (power line disturbance)	Line power surge Line voltage SAG-more info on request
Cooling method	Natural Convection Cooling
Housing material	PC
Temperature coefficient:	<±0.5%/°C
ENVIRONMENT	
Temperature	Operating: 0~40°C / Storage: -20~85°C
Humidity	Operating: 8%~90%RH / Storage: 5%~95% RH non condens-ing
WEIGHT	
NW: 150g/pc	
GW: 16kg/box	
PACKING	
PE plastic bag	100 pcs /1 box

Mechanical case specification:



58 × 58 × 28 [mm] (for 30W model)

65 × 65 × 28 [mm] (for 45&60W models)

Country of Origin : China
 Operating Temperature : 0~40 [°C]
 Efficiency level (ErP) : 

Approvals / Marks :


Features:

LAN Activity Indicator: Detects if LAN is connected to device

Remote Reset Capability: Supports Airmax Bullet, Rocket, Nano, Pico

APPLICATION: telecommunication apparatus only

Specification:

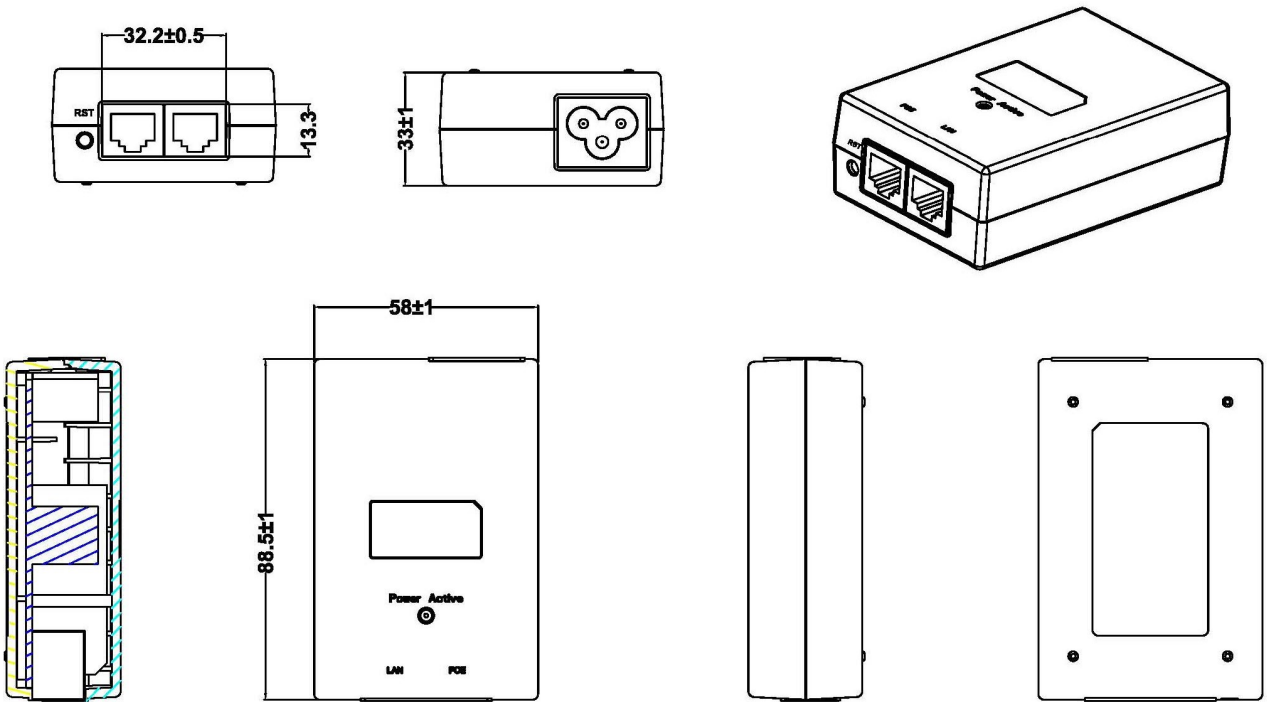
Model	PoE-1215-M3	PoE-2424-M3
Size (L*W*H)	85 x 43 x 30 [mm]	85 x 55 x 33 [mm]
Output Voltage:	15VDC @0.8A	24VDC @1.0A
Input Voltage:	90-260VAC @47-63Hz	90-260VAC @47-63Hz
Input Current:	0.3A @120VAC, 0.2A @230VAC	0.3A @120VAC, 0.2A @230VAC
Inrush Current:	<15A peak @120VAC, <30A peak	<15A peak @120VAC, <30A peak
Efficiency	78%	78%
Output Ripple	1% Max (150mV)	1% Max (240mV)
Short Circuit	The adapter shall not damage by short the DC output to ground	The adapter shall not damage by short the DC output to ground
Peak Load Current	Max. 1.1A (time <60sec)	Max 1.3A (time <60sec)
Hold-up Time	10mS at typical input voltage and full load	10mS at typical input voltage and full load
Turn-on Delay	3sec at typical input voltage and load current	3sec at typical input voltage and load current
Over Current	Auto recovery	Auto recovery
Over Voltage Protection	Typ. 16.5V, Max 19.5V	Typ. 27.6V, Max. 32V
Switching Frequency	200kHz	200kHz
Line Regulation	+/- 0.5%	+/- 0.5%
Load Regulation	+/- 1%	+/- 1%
Suitable AC cable	IEC320-C5 ("Mickey Mouse")	IEC320-C5 ("Mickey Mouse")
Data IN / PoE	RJ45 Shielded Socket	RJ45 Shielded Socket
80% Current Indicator	Power LED will change color	Power LED will change color
Surge Protection	Common Mode	Common Mode
Shunt Capacitance	<5pF data	<5pF data
Response Time	<1Sec	<1Sec
Temperature	Operating: (0 ~ 40)°C / Storage: (-20 ~ 85)°C	Operating: (0 ~ 40)°C / Storage: (-20 ~ 85)°C
Humidity	Operating: 5% ~ 90% non condensing	Operating: 5% ~ 90% non condensing

SAFETY

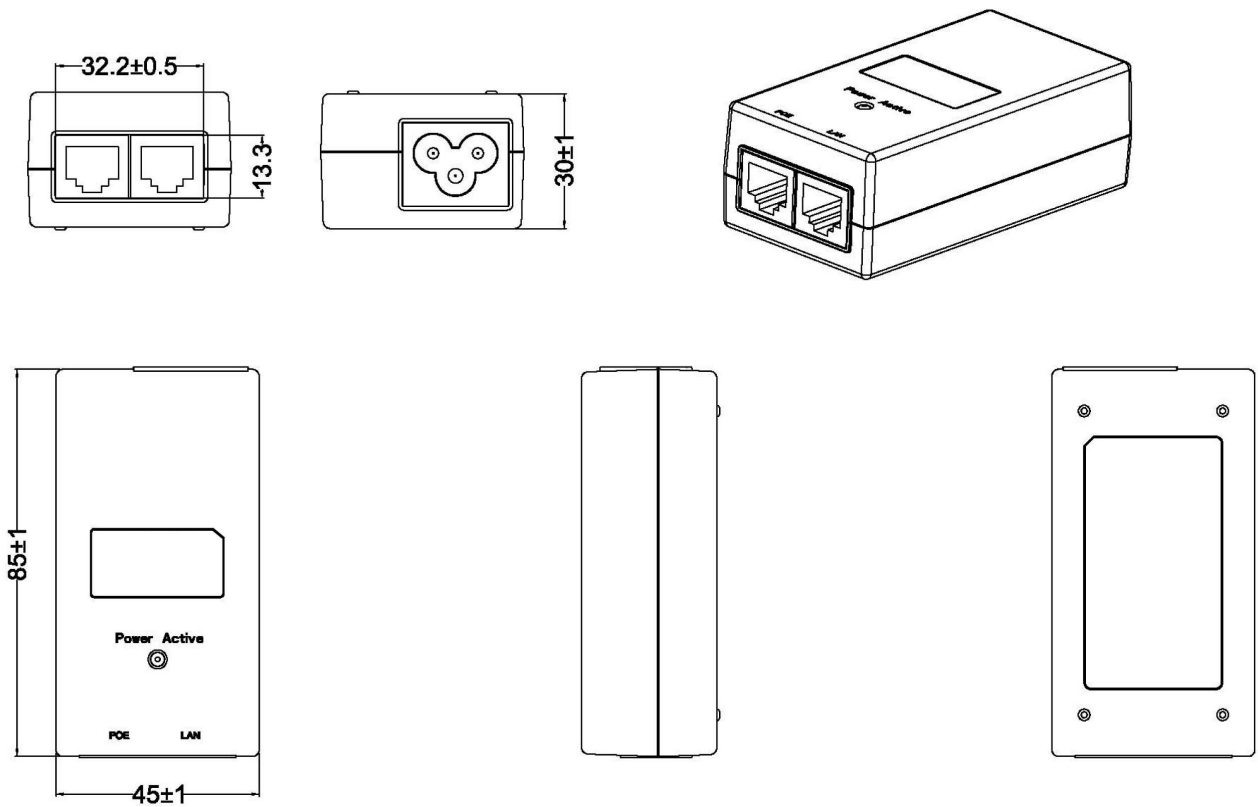
CE | FC | TUV/GS | cULud

CE	EMC 2014/30/EU	
	LVD 2014/35/EU EN 60950-1:2006+A11+A1+A12+A2	
WEIGHT / 1pc	N.W.: 0,092kg / pc G.W.: 0,105kg / pc	N.W.: 0,135kg / pc G.W.: 0,148kg / pc
PACKING / Box	0.410(L) x 0.280(W) x 0.240(H) [m]	
	96 pcs / 1box	
	G.W.: 11kg/box	G.W.: 15.2kg/box

Mechanical case specification of PoE-1215-M3 :



Mechanical case specification of PoE-2424-M3 :



Country of Origin : China
 Operating Temperature : 0~40 [°C]
 Dimension : 93 x 50 x 33 [mm]
 Efficiency level (ErP) :

VI



Approvals / Marks :



Specifications

Model	Voltage DC [V]	Loading [A]	Max. Power [W]	Ripple / Noise [mV] p-p	Connector [mm]
SYS1001-0505-T2	5	0~1.0	5	150	2.1x5.5x11
SYS1001-0608-T2	7.5	0~0.8	6	150	2.1x5.5x11
SYS1001-0609-T2	9	0~0.66	6	150	2.1x5.5x11
SYS1001-0612-T2	12	0~0.5	6	150	2.1x5.5x11
SYS1001-0615-T2	15	0~0.4	6	200	2.1x5.5x11
SYS1001-0618-T2	18	0~0.33	6	200	2.1x5.5x11
SYS1001-0624-T2	24	0~0.25	6	240	2.1x5.5x11

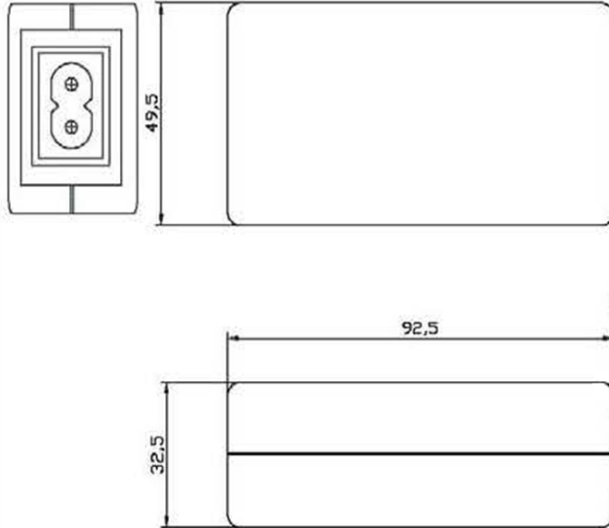
Features:

Available in inlet version: C7 (T2)
 Output connector: standard: 2.1 x 5.5 x 11mm or customer requirement | Regulated Output With Low Ripple Noise | Safety Agency Requirements and EMI/EMS Certified
 Private Label Marking Available | Modified and Custom Design Available | 2 Years Warranty

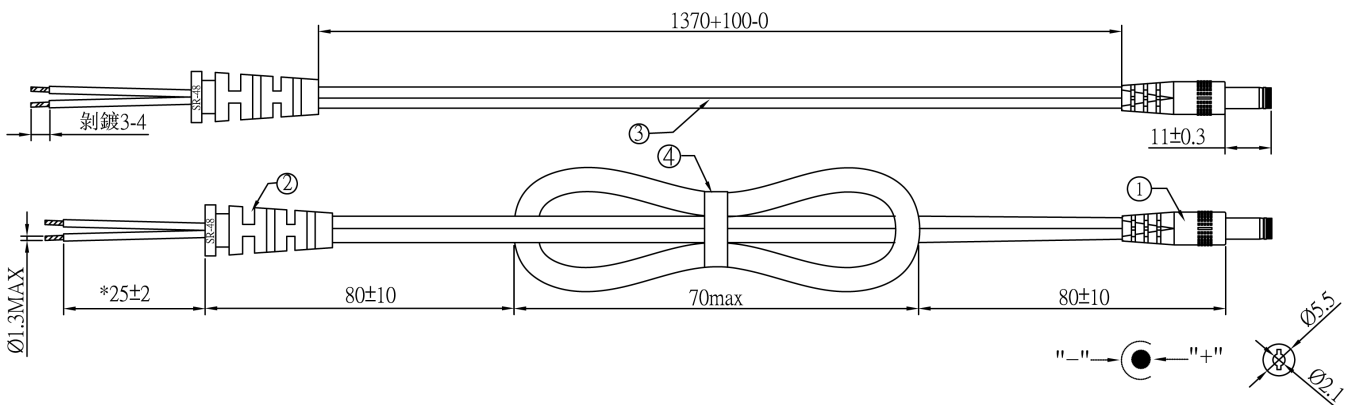
OUTPUT	
Turn delay	3000ms max@AC low line input@output full load
Hold up time	8ms min@AC nominal input@output full load
Efficiency (Normal)	>72%@115v/60HZ,230V/50HZ input & Full load
Transient response (dv,tmax)	0.4V dv max At AC nominal input loading from 20%load to 80% load 16ms tmax Dynamic rise time 10 us max,duty 40ms max,Dynamic load step is slew rate of 0.5A/us
Power out.Limit	6W
Burn in limit	Full load 2 Hours
Power consumption	0.1W max. At AC nominal input@output min load
INPUT	
Voltage	(90~264)VAC
Frequency	(47~63)hz
Current	0.5A rms@AC low line input and DC output full load
Inrush Surge Current (cold start)	30/40A max@power supply cold start,ambient temperature 25°C @115Vac/230Vac nominal AC input
leakage current	0.25mA Max
PROTECTION	
Over current/ Short protection	The power supply will be auto recovered when over current or short circuit faults remove (fold back). Is defined as any output impedance of less than 0.1Ω. The power supply will be auto recovered when short circuit faults remove
Over Voltage	The power supply will not be auto recovered when faults remove 110%-150%. (Voltage limit)
Input protection	F1:1A 250V Fuse The power supply shall be protected against power line surges and any abnormal condition
No Load protection	The power supply is provided with no load operation to prevent the power supply and system from damage.
Protection class	II

CE	
EMC	2014/30/EU
LVD	2014/35/EU EN 60950-1:2006+A11+A1+A12+A2 EN 62368-1
SAFETY	
cTUVus FCC GS CE CB RCM SAA PSE EAC UKCA	
OTHERS	
Dielectric Strength	I/P-O/P:3000VAC
M.T.B.F	500,000 Calculated Hours at 25°C, by Telcordia SR-332
Cable Length	1370mm (4.5 feet) standard cable or as required
PLD (power line disturbance)	Line power surge Line voltage SAG-more info on request
Cooling method	Natural Convection Cooling
Housing material	PC + ABS
Temperature coefficient:	< ±0.5% / °C
ENVIRONMENT	
Temperature	Operating: 0~40°C / Storage: -20~85°C
Humidity	Operating: 8%-90%RH / Storage: 5%-95% RH non condensing
WEIGHT	
NW:	98g/pc
GW:	115g/pc
PACKING	
Box	100 pcs/1 box

Mechanical case specification:



Cable specification:



Country of Origin : China
 Operating Temperature : 0~40 [°C]
 Dimension : 93 x 50 x 33 [mm]
 Efficiency level (ErP) :

VI



Approvals / Marks :



Specifications

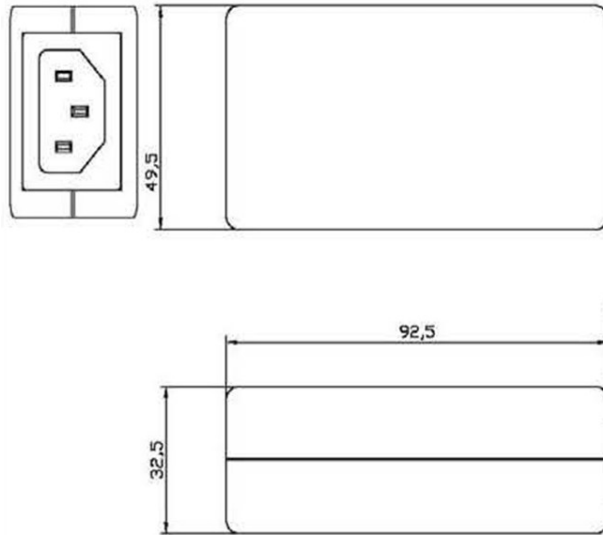
Model	Voltage DC [V]	Loading [A]	Max. Power [W]	Ripple / Noise [mV] p-p	Connector [mm]
SYS1001-0505-T3	5	0~1.0	5	150	2.1x5.5x11
SYS1001-0608-T3	7.5	0~0.8	6	150	2.1x5.5x11
SYS1001-0609-T3	9	0~0.66	6	150	2.1x5.5x11
SYS1001-0612-T3	12	0~0.5	6	150	2.1x5.5x11
SYS1001-0615-T3	15	0~0.4	6	200	2.1x5.5x11
SYS1001-0618-T3	18	0~0.33	6	200	2.1x5.5x11
SYS1001-0624-T3	24	0~0.25	6	240	2.1x5.5x11

Features:

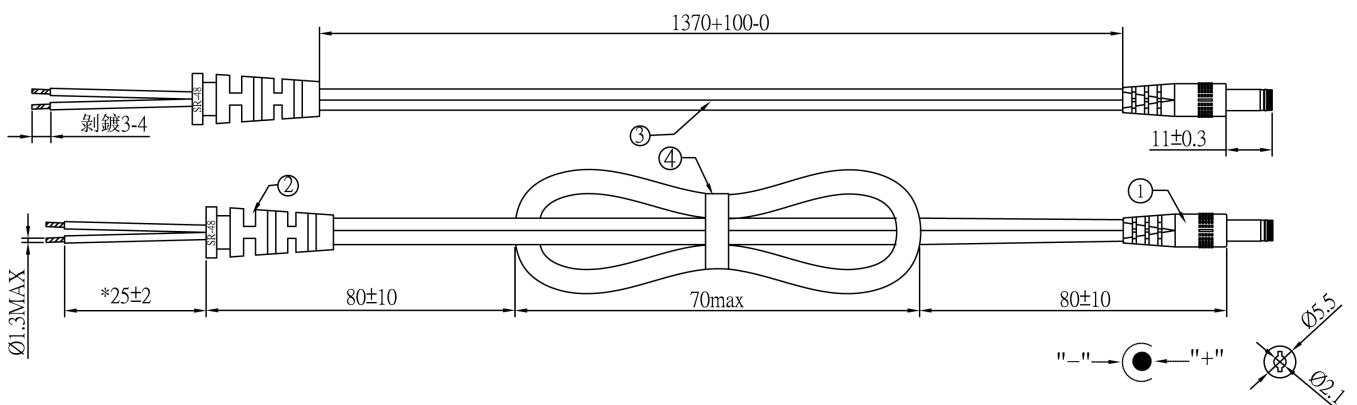
Available in inlet version: C13 (T3)
 Output connector: standard: 2.1 x 5.5 x 11mm or customer requirement | Regulated Output With Low Ripple Noise | Safety Agency Requirements and EMI/EMS Certified
 Private Label Marking Available | Modified and Custom Design Available | 2 Years Warranty

OUTPUT		CE	
Turn delay	3000ms max@AC low line input@output full load	EMC	2014/30/EU
Hold up time	8ms min@AC nominal input@output full load	LVD	2014/35/EU EN 60950-1:2006+A11+A1+A12+A2 EN 62368-1
Efficiency (Normal)	>72%@115v/60HZ,230V/50HZ input & Full load	SAFETY	
Transient response (dv,tmax)	0.4V dv max At AC nominal input loading from 20%load to 80% load 16ms tmax Dynamic rise time 10 us max,duty 40ms max,Dynamic load step is slow rate of 0.5A/us	cUL FCC GS CE CB RCM EAC BSMI PSE VCCI UKCA	
Power out.Limit	6W	OTHERS	
Burn in limit	Full load 2 Hours	Dielectric Strength (Hi-pot)	I/P-O/P:3000VAC
Power consumption	0.1W max. At AC nominal input@output min load	M.T.B.F	500,000 Calculated Hours at 25°C, by Telcordia SR-332
INPUT		Cable Length	1370mm (4.5 feet) standard cable or as required
Voltage	(90~264)VAC	PLD	Line power surge Line voltage SAG-more info on request
Frequency	(47~63)hz	Cooling method	Natural Convection Cooling
Current	0.5A rms@AC low line input and DC output full load	Housing material	PC + ABS
Inrush Surge Current	30/40A max@power supply cold start,ambient temperature 25°C	Temperature coefficient:	< ±0.5% / °C
leakage current	3.5mA Max	ENVIRONMENT	
PROTECTION		Temperature	Operating: 0~40°C / Storage: -20~85°C
Over current/ Short protection	The power supply will be auto recovered when over current or short circuit faults remove (fold back). Is defined as any output impedance of less than 0.1Ω.The power supply will be auto recovered when short circuit faults remove	Humidity	Operating: 8%~90%RH / Storage: 5%~95% RH non condensing
Over Voltage	The power supply will not be auto recovered when faults remove 110%-150%. (Voltage limit)	WEIGHT	
Input protection	F1:1A 250V Fuse The power supply shall be protected against power line surges and any abnormal condition	NW: 98g/pc	
No Load protection	The power supply is provided with no load operation to prevent the power supply and system from damage.	GW:115g/pc	
Protection class	I	PACKING	
		Box	100 pcs/1 box

Mechanical case specification:



Cable specification:



Country of Origin : China
 Operating Temperature : 0~40 [°C]
 Dimension : 93 x 50 x 33 [mm]
 Efficiency level (ErP) :

VI



Approvals / Marks :



Specifications

Model	Voltage DC [V]	Loading [A]	Max. Power [W]	Ripple / Noise [mV] p-p	Connector [mm]
SYS1001-0703-T2	3,3	0~2.2	7.26	120	2.1x5.5x11
SYS1001-1105-T2	5	0~2.1	10	120	2.1x5.5x11
SYS1001-1108-T2	7,5	0~1.6	11	120	2.1x5.5x11
SYS1001-0909-T2	9	0~1.33	9	120	2.1x5.5x11
SYS1001-1212-T2	12	0~1.0	12	200	2.1x5.5x11
SYS1001-1215-T2	15	0~0.8	12	200	2.1x5.5x11
SYS1001-1218-T2	18	0~0.66	12	240	2.1x5.5x11
SYS1001-1224-T2	24	0~0.5	12	240	2.1x5.5x11

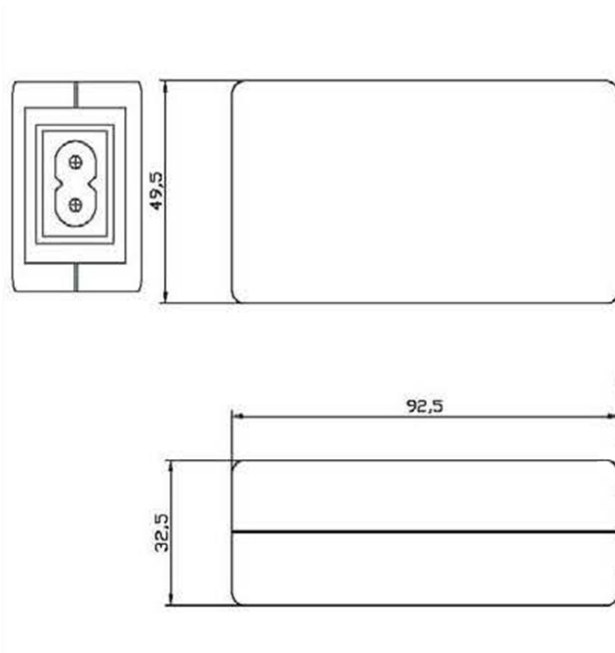
Features:

Available in inlet version: C7 (T2)
 Output connector: standard: 2.1 x 5.5 x 11mm or customer requirement | Regulated Output With Low Ripple Noise | Safety Agency Requirements and EMI/EMS Certified
 Private Label Marking Available | Modified and Custom Design Available | 2 Years Warranty

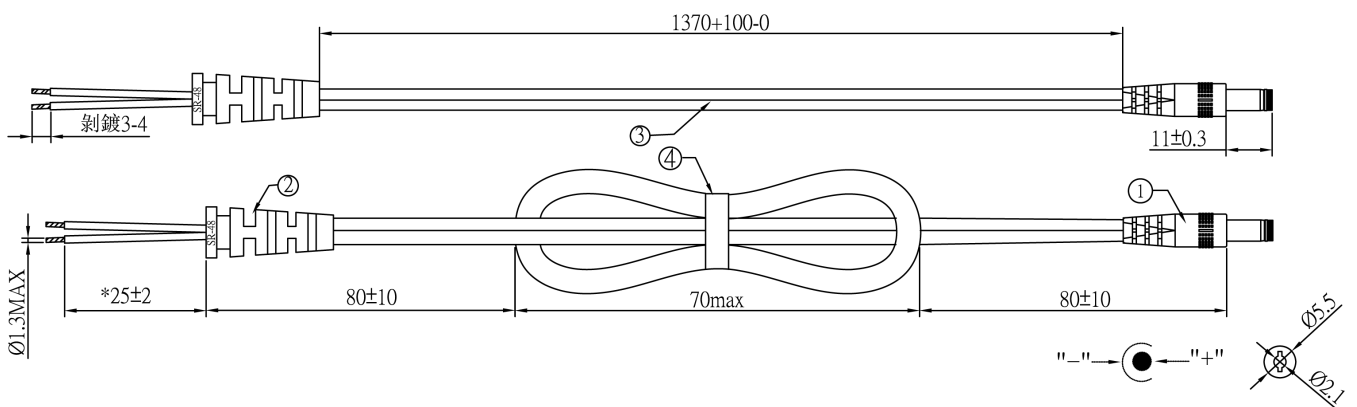
OUTPUT	
Turn delay	3000ms max@AC low line input@output full load
Hold up time	8ms min@AC nominal input@output full load
Efficiency (Normal)	>80%@115v/60HZ,230V/50HZ input & Full load
Transient response (dv,tmax)	0.4V dv max At AC nominal input loading from 20%load to 80% load 16ms tmax Dynamic rise time 10 us max,duty 40ms max,Dynamic load step is slew rate of 0.5A/us
Power out.Limit	12W
Burn in limit	Full load 2 Hours
Power consumption	0.1W max. At AC nominal input@output min load
INPUT	
Voltage	(90~264)VAC
Frequency	(47~63)hz
Current	0.5A rms@AC low line input and DC output full load
Inrush Surge Current (cold start)	30/40A max@power supply cold start,ambient temperature 25°C @115Vac/230Vac nominal AC input
leakage current	0.25mA Max
PROTECTION	
Over current/ Short protection	The power supply will be auto recovered when over current or short circuit faults remove (fold back). Is defined as any output impedance of less than 0.1Ω.The power supply will be auto recovered when short circuit faults remove
Over Voltage	The power supply will not be auto recovered when faults remove 110%-150%. (Voltage limit)
Input protection	F1:1A 250V Fuse The power supply shall be protected against power line surges and any abnormal condition
No Load protection	The power supply is provided with no load operation to prevent the power supply and system from damage.
Protection class	II

CE	
EMC	2014/30/EU
LVD	2014/35/EU EN 60950-1:2006+A11+A1+A12+A2 EN 62368-1
SAFETY	
cTUVus FCC GS CE CB RCM SAA PSE EAC UKCA	
OTHERS	
Dielectric Strength (Hi-pot)	I/P-O/P:3000VAC
M.T.B.F	500,000 Calculated Hours at 25°C, by Telcordia SR-332
Cable Length	1370mm (4.5 feet) standard cable or as required
PLD (power line disturbance)	Line power surge Line voltage SAG-more info on request
Cooling method	Natural Convection Cooling
Housing material	PC + ABS
Temperature coefficient:	< ±0.5% / °C
ENVIRONMENT	
Temperature	Operating: 0~40°C / Storage: -20~85°C
Humidity	Operating: 8%~90%RH / Storage: 5%~95% RH non condensing
WEIGHT	
NW:	108g/pc
GW:	129g/pc
PACKING	
Box	100 pcs/1 box

Mechanical case specification:



Cable specification:



Country of Origin : China
 Operating Temperature : 0~40 [°C]
 Dimension : 93 x 50 x 33 [mm]
 Efficiency level (ErP) :

VI



Approvals / Marks :



Specifications

Model	Voltage DC [V]	Loading [A]	Max. Power [W]	Ripple / Noise [mV] p-p	Connector [mm]
SYS1001-0703-T3	3,3	0~2.2	7.26	120	2.1x5.5x11
SYS1001-1105-T3	5	0~2.1	10	120	2.1x5.5x11
SYS1001-1108-T3	7.5	0~1.6	11	120	2.1x5.5x11
SYS1001-0909-T3	9	0~1.33	9	120	2.1x5.5x11
SYS1001-1212-T3	12	0~1.0	12	200	2.1x5.5x11
SYS1001-1215-T3	15	0~0.8	12	200	2.1x5.5x11
SYS1001-1218-T3	18	0~0.66	12	240	2.1x5.5x11
SYS1001-1224-T3	24	0~0.5	12	240	2.1x5.5x11

Features:

Available in inlet version: C13 (T3)
 Output connector: standard: 2.1 x 5.5 x 11mm or customer requirement | Regulated Output With Low Ripple Noise | Safety Agency Requirements and EMI/EMS Certified
 Private Label Marking Available | Modified and Custom Design Available | 2 Years Warranty

OUTPUT

Turn delay	3000ms max@AC low line input@output full load
Hold up time	8ms min@AC nominal input@output full load
Efficiency (Normal)	>80%@115v/60HZ,230V/50HZ input & Full load
Transient response (dv,tmax)	0.4V dv max At AC nominal input loading from 20%load to 80% load
	16ms tmax Dynamic rise time 10 us max,duty 40ms max,Dynamic load step is slew rate of 0.5A/us
Power out.Limit	12W
Burn in limit	Full load 2 Hours
Power consumption	0.1W max. At AC nominal input@output min load

INPUT

Voltage	(90~264)VAC
Frequency	(47~63)hz
Current	0.5A rms@AC low line input and DC output full load
Inrush Surge Current (cold start)	30/40A max@power supply cold start,ambient temperature 25°C @115Vac/230Vac nominal AC input
leakage current	3.5mA Max

PROTECTION

Over current/ Short protection	The power supply will be auto recovered when over current or short circuit faults remove (fold back). Is defined as any output impedance of less than 0.1Ω.The power supply will be auto recovered when short circuit faults remove
Over Voltage	The power supply will not be auto recovered when faults remove 110%-150%. (Voltage limit)
Input protection	F1:1A 250V Fuse The power supply shall be protected against power line surges and any abnormal condition
No Load protection	The power supply is provided with no load operation to prevent the power supply and system from damage.
Protection class	I

CE

EMC	2014/30/EU
LVD	2014/35/EU EN 60950-1:2006+A11+A1+A12+A2 EN 62368-1

SAFETY

cUL | FCC | GS | CE | CB | RCM | EAC | BSMI | PSE | VCCI | UKCA

OTHERS

Dielectric Strength (Hi-pot)	I/P-O/P:3000VAC
M.T.B.F	500,000 Calculated Hours at 25°C, by Telcordia SR-332
Cable Length	1370mm (4.5 feet) standard cable or as required
PLD	Line power surge Line voltage SAG-more info on request
Cooling method	Natural Convection Cooling
Housing material	PC + ABS
Temperature coefficient:	< ±0.5% / °C

ENVIRONMENT

Temperature	Operating: 0~40°C / Storage: -20~85°C
Humidity	Operating: 8%~90%RH / Storage: 5%~95% RH non condensing

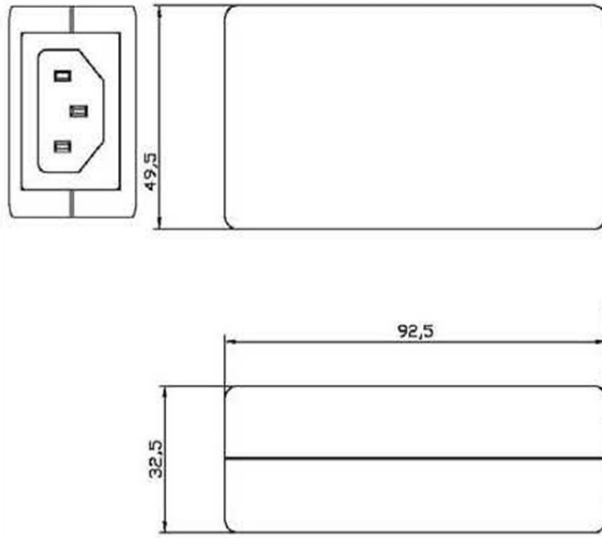
WEIGHT

NW:	98g/pc
GW:	115g/pc

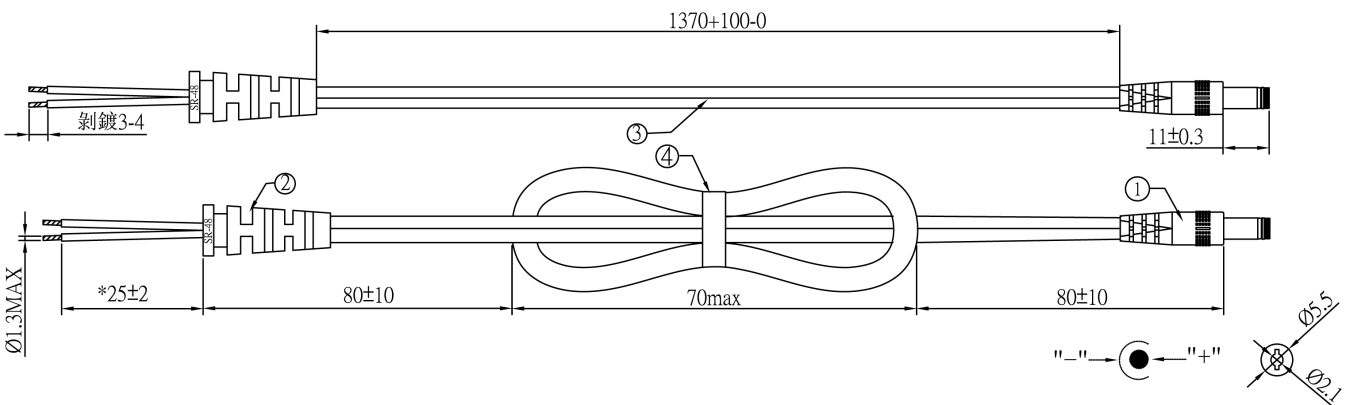
PACKING

Box	100 pcs/1 box
-----	---------------

Mechanical case specification:



Cable specification:



Country of Origin : China
 Operating Temperature : 0~40 [°C]
 Dimension : 87 x 47 x 33 [mm]
 Efficiency level (ErP) : VI





Approvals / Marks :



Specifications

Model	Voltage DC [V]	Loading [A]	Max. Power [W]	Ripple / Noise [mV] p-p	Connector [mm]
SYS1544-1505-T2	5	0~3.0	15	180	2.1x5.5x11
SYS1544-1809-T2	9	0~2.0	18	180	2.1x5.5x11
SYS1544-2412-T2	12	0~2.0	24	180	2.1x5.5x11
SYS1544-2415-T2	15	0~1.6	24	200	2.1x5.5x11
SYS1544-2418-T2	18	0~1.33	24	240	2.1x5.5x11
SYS1544-2424-T2	24	0~1.0	24	300	2.1x5.5x11

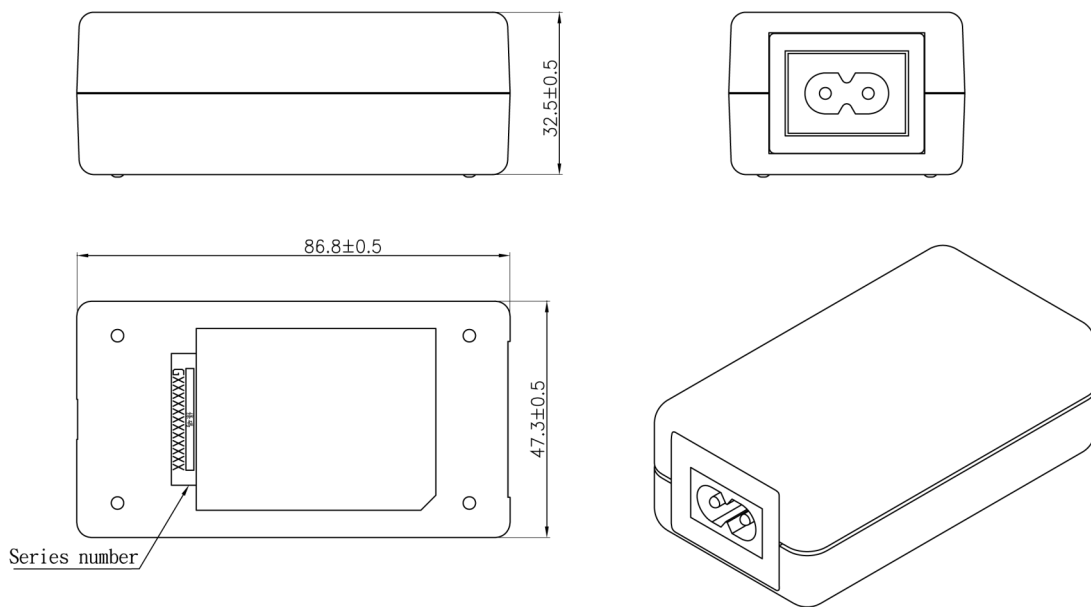
Features:

Available in 2 inlet versions: C7 (T2)  C13(T3) 
 Output connector: standard: 2.1 x 5.5 x 11mm or customer requirement | Regulated Output With Low Ripple Noise | Safety Agency Requirements and EMI/EMS Certified
 Private Label Marking Available | Modified and Custom Design Available | 2 Years Warranty

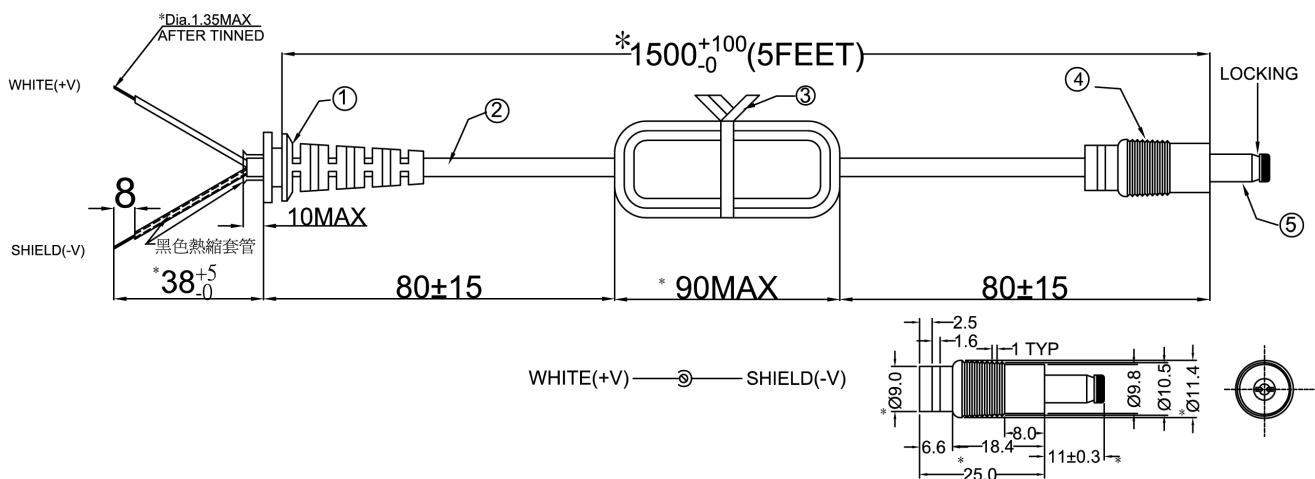
OUTPUT	
Turn delay	3000 ms max@AC low line input@output full load
Hold up time	5ms min@AC nominal input@output full load (>half cycle)
Efficiency (Normal)	Meet CEC,DOE,ERP,MEPS Level VI @115v/60HZ,230V/50HZ
Transient response (dv,tmax)	0.4V dv max At AC nominal input loading from 20%load to 80%load 16ms tmax Dynamic rise time 10us max,duty 40ms max,Dynamic load step is slew rate of 0.5A/us
Power out.Limit	Peak 28w
Burn in limit	Full load 2 Hours
Power consumption	Less than 0.075W ms max. At AC nominal input@output min load
INPUT	
Voltage	(90~264)VAC
Frequency	(47~63)hz
Current	1A rms@AC low line input and DC output full load
Inrush Surge Current (cold start)	40/60A max@power supply cold start,ambient temperature 25°C @ 115Vac/230Vac nominal AC input
leakage current	0.25mA Max
PROTECTION	
Over current/ Short protection	The power supply will self-protect any output to ground & auto recovery when abnormal circuit faults remove. An output short circuit is defined as any output impedance less than 0.1 ohms.
Over Voltage	The power supply will be auto recovered when faults remove
Input protection	F1:1A 250V Fuse The power supply shall be protected against power line surges and any abnormal condition
No Load protection	The power supply is provided with no load operation to prevent the power supply and system from damage.
Protection class	II, (ITU-T K.21 Surge 6KV on request)

CE	
EMC	2014/30/EU
LVD	2014/35/EU EN 62368-1:2014+A11:2017
SAFETY	
CB CE GS FCC cULus BSMI PSE	
OTHERS	
Dielectric Strength(Hi-pot)	Primary to Secondary:3000VAC 10mA/60S
M.T.B.F	500,000 Calculated Hours at 25°C, by Telcordia SR-332
Cable Length	1500mm (5 feet) standard cable or as required
PLD	Line power surge Line voltage SAG-more info on request
Cooling method	Natural Convection Cooling
Housing material	PC
Temperature coefficient:	< ±0.5% / °C
ENVIRONMENT	
Temperature	Operating: 0~40°C / Storage: -20~85°C
Humidity	Operating: 8%~90%RH / Storage: 5%~95% RH non condensing
WEIGHT	
NW: 180g/pc	
GW: 11.5kg/box	
PACKING	
PE plastic bag	60 pcs/1 box

Mechanical case specification:



Cable specification:



Country of Origin : China
 Operating Temperature : 0~40 [°C]
 Dimension : 87 x 47 x 33 [mm]
 Efficiency level (ErP) : VI





Approvals / Marks :



Specifications

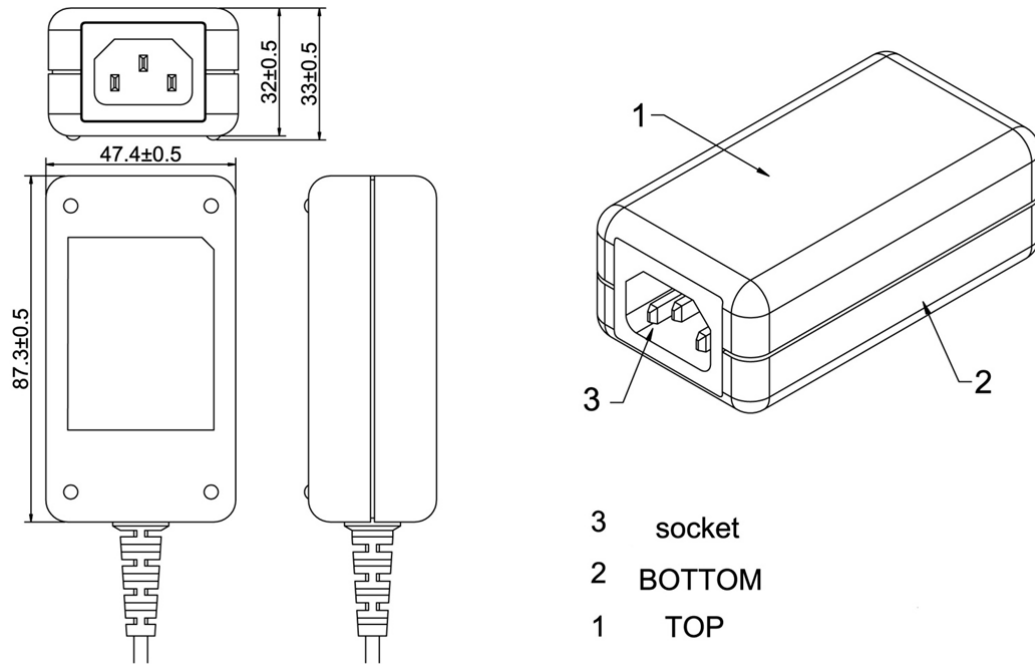
Model	Voltage DC [V]	Loading [A]	Max. Power [W]	Ripple / Noise [mV] p-p	Connector [mm]
SYS1544-1505-T3	5	0~3.0	15	180	2.1x5.5x11
SYS1544-1809-T3	9	0~2.0	18	180	2.1x5.5x11
SYS1544-2412-T3	12	0~2.0	24	180	2.1x5.5x11
SYS1544-2415-T3	15	0~1.6	24	200	2.1x5.5x11
SYS1544-2418-T3	18	0~1.33	24	240	2.1x5.5x11
SYS1544-2424-T3	24	0~1.0	24	300	2.1x5.5x11

Features:

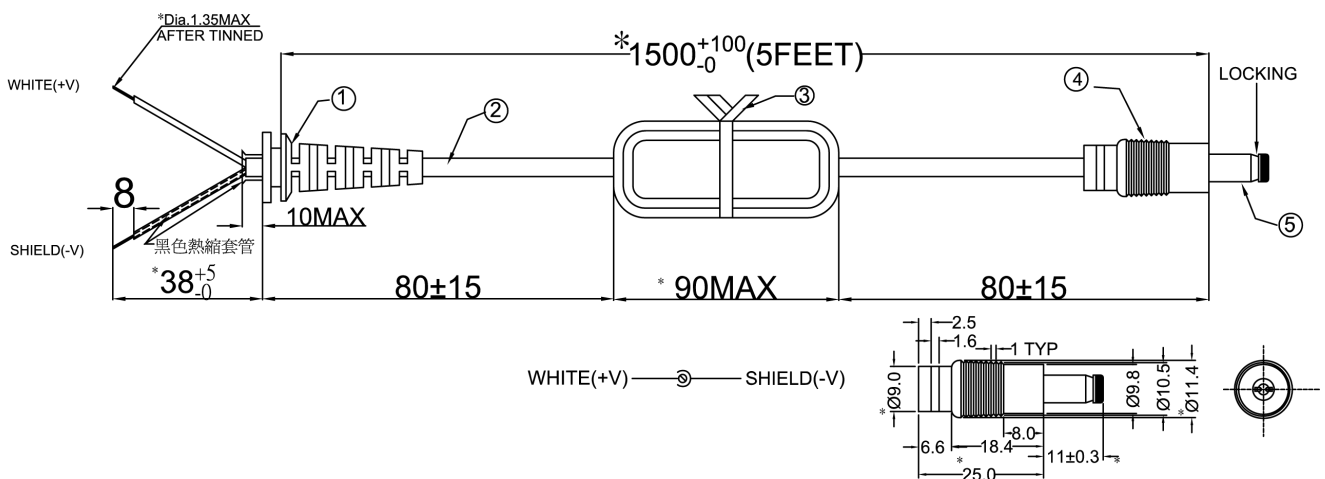
Available in 2 inlet versions: C7 (T2)  C13(T3) 
 Output connector: standard: 2.1 x 5.5 x 11mm or customer requirement | Regulated Output With Low Ripple Noise | Safety Agency Requirements and EM/EMS Certified
 Private Label Marking Available | Modified and Custom Design Available | 2 Years Warranty


OUTPUT		CE	
Turn delay	3000 ms max@AC low line input@output full load	EMC	2014/30/EU
Hold up time	5ms min@AC nominal input@output full load (>half cycle)	LVD	2014/35/EU EN 62368-1:2014+A11:2017
Efficiency (Normal)	Meet CEC,DOE,ERP,MEPS Level VI @115v/60HZ,230V/50HZ	SAFETY	
Transient response (dv,tmax)	0.4V dv max At AC nominal input loading from 20%load to 80%load 16ms tmax Dynamic rise time 10us max,duty 40ms max,Dynamic load step is slew rate of 0.5A/us	CB CE GS FCC cULus CCC PSE KC(12V) SAA RCM NOM(2412) UKCA EAC BIS(2412/1812/1512/1212) S-MARK	
Power out.Limit	Peak 28w	OTHERS	
Burn in limit	Full load 2 Hours	Dielectric Strength (Hi-pot)	Primary to Secondary:3000VAC 10mA/60S
Power consumption	Less than 0.075W ms max. At AC nominal input@output min load	M.T.B.F	500,000 Calculated Hours at 25°C, by Telcordia SR-332
INPUT		Cable Length	1500mm (15 feet) standard cable or as required
Voltage	(90~264)VAC	PLD (power line disturbance)	Line power surge Line voltage SAG-more info on request
Frequency	(47~63)hz	Cooling method	Natural Convection Cooling
Current	1A rms@AC low line input and DC output full load	Housing material	PC
Inrush Surge Current (cold start)	40/60A max@power supply cold start,ambient temperature 25°C @115Vac/230Vac nominal AC input	Temperature coefficient:	< ±0.5% / °C
leakage current	0.25mA Max	ENVIRONMENT	
PROTECTION		Temperature	Operating: 0~40°C / Storage: -20~85°C
Over current/ Short protection	The power supply will self-protect any output to ground & auto recovery when abnormal circuit faults remove. An output short circuit is defined as any output impedance less than 0.1 ohms.	Humidity	Operating: 8%~90%RH / Storage: 5%~95% RH non condensing
Over Voltage	The power supply will be auto recovered when faults remove	WEIGHT	
Input protection	F1:1A 250V Fuse The power supply shall be protected against power line surges and any abnormal condition	NW:	180g/pc
No Load protection	The power supply is provided with no load operation to prevent the power supply and system from damage.	GW:	11.5kg/box
Protection class	I, (ITU-T K.21 Surge 6KV on request)	PACKING	
		PE plastic bag	60 pcs/1 box

Mechanical case specification:



Cable specification:



Country of Origin : China
 Operating Temperature : 0~40 [°C]
 Dimension : 86.8 x 47.3 x 32.3 [mm]
 Suitable AC cable: IEC320-C8
 Efficiency level (ErP) : 
 Approvals / Marks :



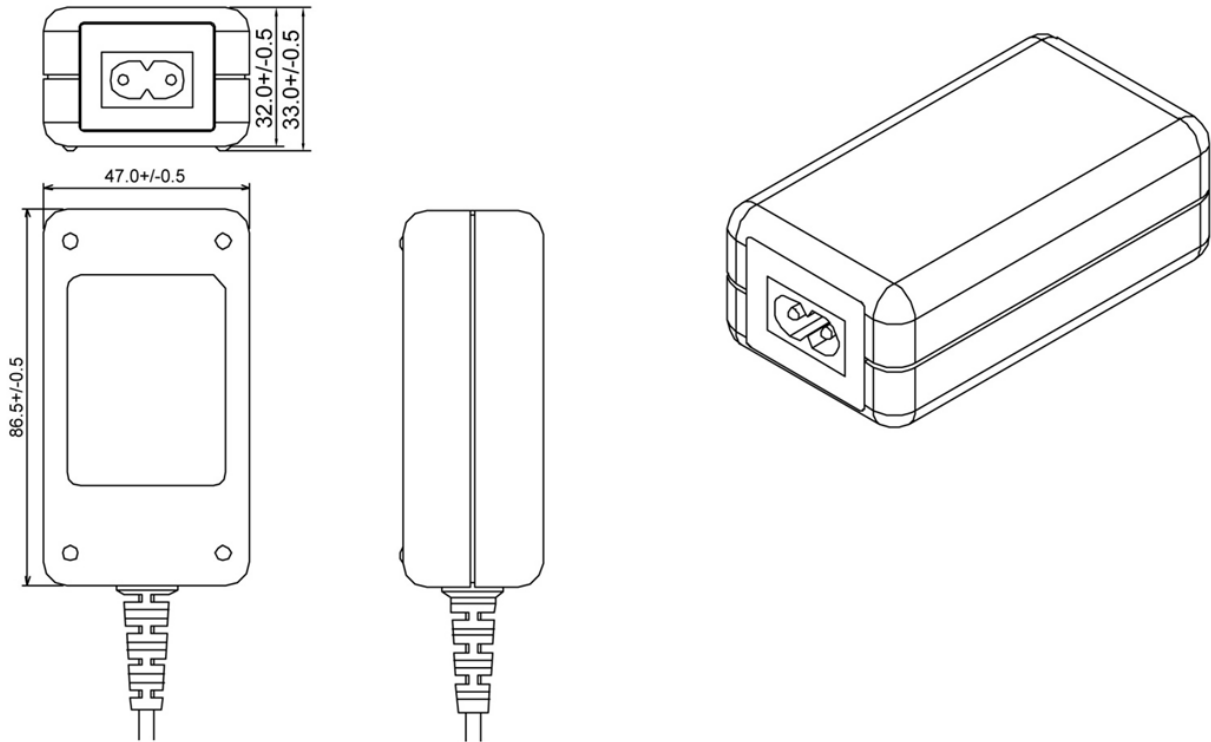
Features:

Wide range Input (90 ~ 264)VAC / (47 ~ 63) Hz.	Over load, over voltage & short protection.
Designed and certified also for IEC320-C13 cable & inlet C14 (T3).	Available for A.V. application
For I.T.E. use only + RoHS conform.	

Specification:

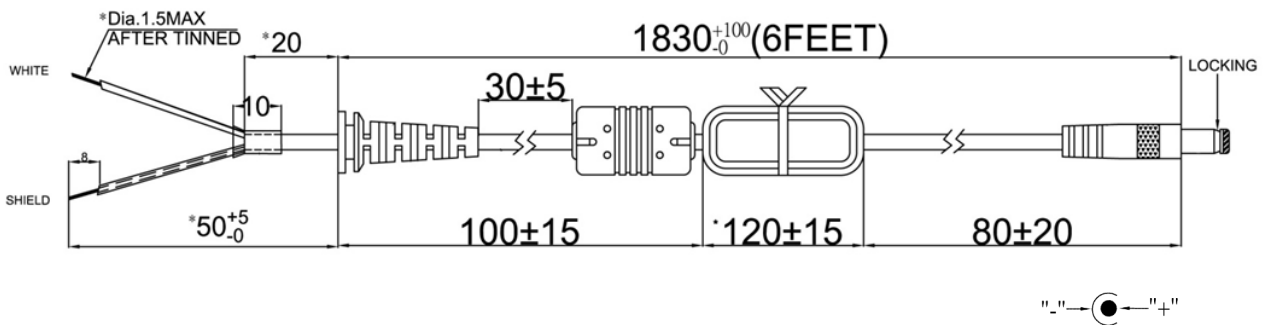
	Model	Voltage DC [V]	Loading [A]	ToI. [%]	OCP [A]	OVP max [V]	Efficiency [%]	Max. Power [W]	Ripple & Noise [mV]p-p	Connector UL approved [mm]
ErP V.	SYS1319-3012-T2	12	0~2.50	±5	3~8	16	>83.5	30	120	2.1x5.5x11
	SYS1319-3015-T2	15	0~2.00	±5	2.5~6.5	25	>80.6	30	150	2.1x5.5x11
	SYS1319-3018-T2	18	0~1.66	±5	2.0~5.5	25	>87.0	30	180	2.1x5.5x11
	SYS1319-3024-T2	24	0~1.25	±5	1.5~5.5	25	>84.0	30	240	2.1x5.5x11
OEM Production	This model is certified for Uout=(5,6,9,12,15,16,18,19,20,24)V and Pout=(5~30)W is rising in steps of 1W									
INPUT	Voltage	(90 ~ 264) VAC								
	Frequency	(47 ~ 63) Hz								
	Current	1A rms@ AC low line input and DC output full load								
	Surge Current max.	40/60Amax. @ power supply cold start, ambient temperature 25°C @115Vac/230Vac nominal AC input.								
	Leakage current	0.25mA Max.								
PROTECTION	Over load	OCP	> 120% Fold back							
	Over Volt-age	OVP	> 105% Voltage limiting							
	Short Circuit	Yes, Output to Ground, Auto recovery when fault has been removed. Short Current & Over Current can not exceed 8A max. after 1minute at nominal line input.								
	Protection class	II.								
	No Load Operation	Yes, to protect the power supply and system from damage								
OTHERS	Dielectric Strength	I/P-O/P (FG): 3KVAC / 10mA / 1 min								
	Power ON Led	Yes								
	Turn on delay	3000 ms max. @ AC low line input @ output full load								
	Hold-up Time	10ms @ AC nominal Input and Output full load								
	MTBF Qualification	500,000 Calculated Hours at 25°C, by Telcordia SR-332								
	DC cable & connector	Standard length of the cable 1,8m & It depends on customer requirements and upon specifications								
	Efficiency (typical)	>73.5% @ 240VAC input & Full load More info in upon table.								
	Power Consumption	Max. 0.3Wrms @ AC nominal Input and Output min. load some models have achieved efficiency level IV.								
	Input Fuse	250VAC / 1.6A protected against power line surges and any abnormal conditions								
	ENVIRONMENT	Temperature	Operating: (0 ~ 40)°C / Storage: (-20 ~ 85)°C							
Humidity		Operating: (8 ~ 90)% RH / Storage: (5 ~ 95)% RH non condensing								
SAFETY	CE TUV/GS CB cULus FCC KC (Only for SYS1319-3012)									
CE	EMC	2014/30/EU								
	LVD	2014/35/EU EN 60950-1:2006+A11+A1+A12+A2								
WEIGHT	1pc	N.W.: 200g / pc 0.48 x 0.26 x 0.44 [m]								
PACKING	Box	60 pcs / 1box								
		G.W.: 15kg / box								


Mechanical case specification:



Cable specification:

1185#18*1C + shield / 6FT (1830mm)



Country of Origin : China
 Operating Temperature : 0~40 [°C]
 Dimension : 86.8 x 47.3 x 32.3 [mm]
 Suitable AC cable: IEC320-C13
 Efficiency level (ErP) : 
 Approvals / Marks :



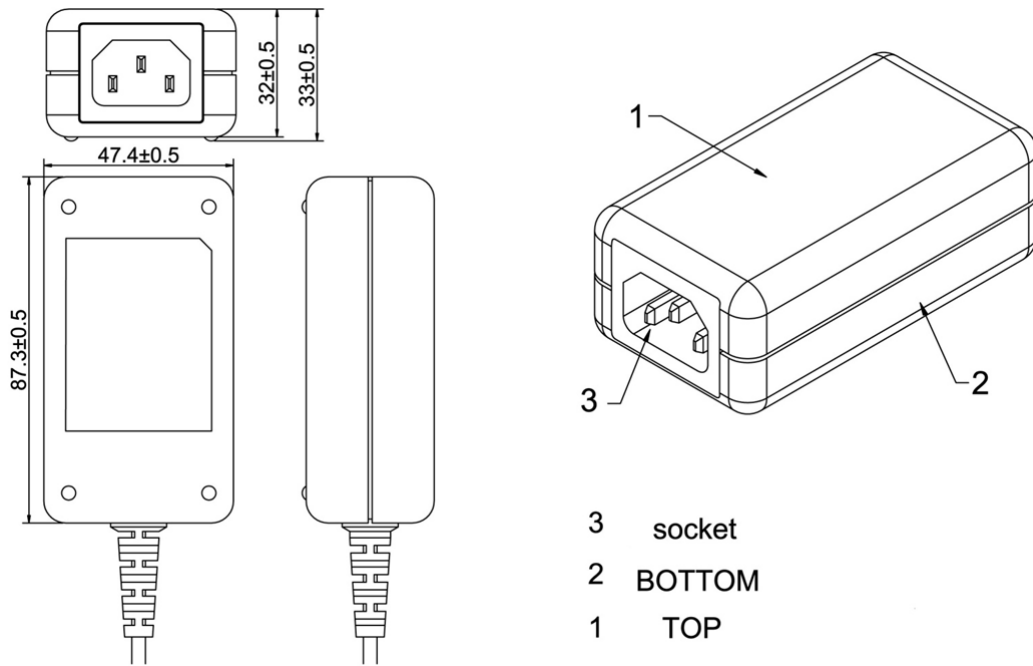
Features:

Wide range Input (90 ~ 264)VAC / (47 ~ 63) Hz.	For I.T.E. use only + RoHS conform.
Over load, over voltage & short protection.	Designed and certified also for cable IEC320-C7 & inlet C8 (T2).
Output connector: standard: 2.1 x 5.5 x 11mm or customer requirement.	

Specification:

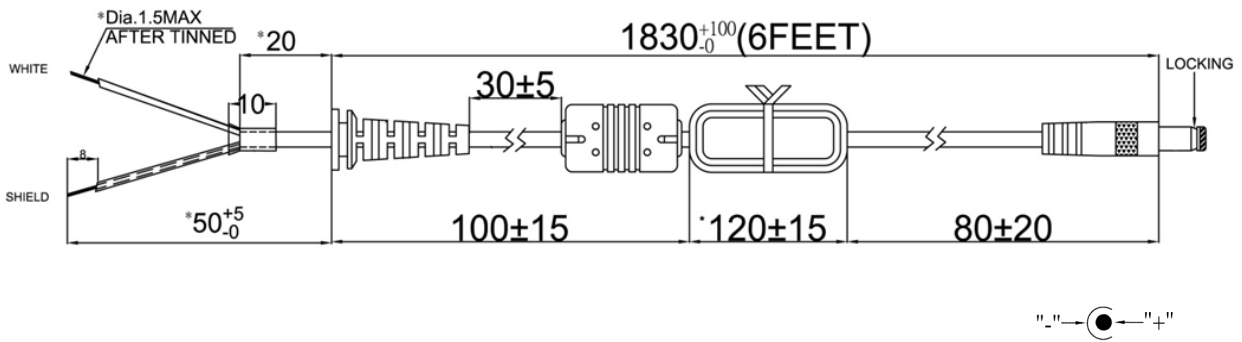
	Model	Voltage DC [V]	Loading [A]	Tol. [%]	OCP [A]	OVP Max [V]	Efficiency [%]	Max. Power [W]	Ripple & Noise [mV]p-p	Connector UL approved [mm]
ErP V.	SYS1319-3012-T3	12	0~2.50	±5	3.0~8.0	16	>83.5	30	120	2.1x5.5x11
	SYS1319-3015-T3	15	0~2.00	±5	2.5~6.5	25	>80.6	30	150	2.1x5.5x11
	SYS1319-3018-T3	18	0~1.66	±5	2.0~5.5	25	>87.0	30	180	2.1x5.5x11
	SYS1319-3024-T3	24	0~1.25	±5	1.5~5.5	25	>84.0	30	240	2.1x5.5x11
OEM Production	This model is certified for Uout=(5,6,9,12,15,16,18,19,20,24)V and Pout=(5~30)W is rising in steps of 1W									
INPUT	Voltage	(90 ~ 264) VAC								
	Frequency	(47 ~ 63) Hz								
	Current	1A rms@ AC low line input and DC output full load								
	Surge Current max.	40/60Amax. @ power supply cold start, ambient temperature 25°C @115Vac/230Vac nominal AC input.								
	Leakage current	3.5mA Max.								
PROTECTION	Over load	OCP	> 120% Fold back							
	Over Voltage	OVP	> 105% Voltage limiting							
	Short Circuit	Yes, Output to Ground, Auto recovery when fault has been removed. Short Current & Over Current can not exceed 8A max. after 1minute at nominal line input.								
	Protection class	I.								
	No Load Operation	Yes, to protect the power supply and system from damage								
OTHERS	Dielectric Strength	I/P-O/P (FG): 3KVAC / 10mA / 1 min								
	Power ON Led	Yes								
	Turn on delay	3000 ms max. @ AC low line input @ output full load								
	Hold-up Time	10ms @ AC nominal Input and Output full load								
	MTBF Qualification	500,000 Calculated Hours at 25°C, by Telcordia SR-332								
	DC cable & connector	Standard length of the cable 1,8m & It depends on customer requirements and upon specifications								
	Efficiency (typical)	>83.5% @ 240VAC input & Full load								
	Power Consumption	Max. 0.3Wrms @ AC nominal Input and Output min. load some models have achieved efficiency level IV.								
	Input Fuse	250VAC / 1.6A protected against power line surges and any abnormal conditions								
ENVIRONMENT	Temperature	Operating: (0 ~ 40)°C / Storage: (-20 ~ 85)°C								
	Humidity	Operating: (8 ~ 90)% RH / Storage: (5 ~ 95)% RH non condensing								
SAFETY	CE TUV/GS CB cULus KC (Only for SYS1319-3012, SYS1319-3015) FCC									
CE	EMC	2014/30/EU								
	LVD	2014/35/EU EN 60950-1:2006+A11+A1+A12+A2								
WEIGHT	1pc	N.W.: 200g / pc								
		0.48 x 0.26 x 0.44 [m]								
PACKING	Box	60 pcs / 1box								
		G.W.: 15kg / box								

Mechanical case specification:



Cable specification:

1185#18*1C + shield / 6FT (1830mm)



Country of Origin : China
 Operating Temperature : 0~40 [°C]
 Dimension : 92 x 50 x 32 [mm]
 Efficiency level (ErP) : VI



Approvals / Marks :



Specifications

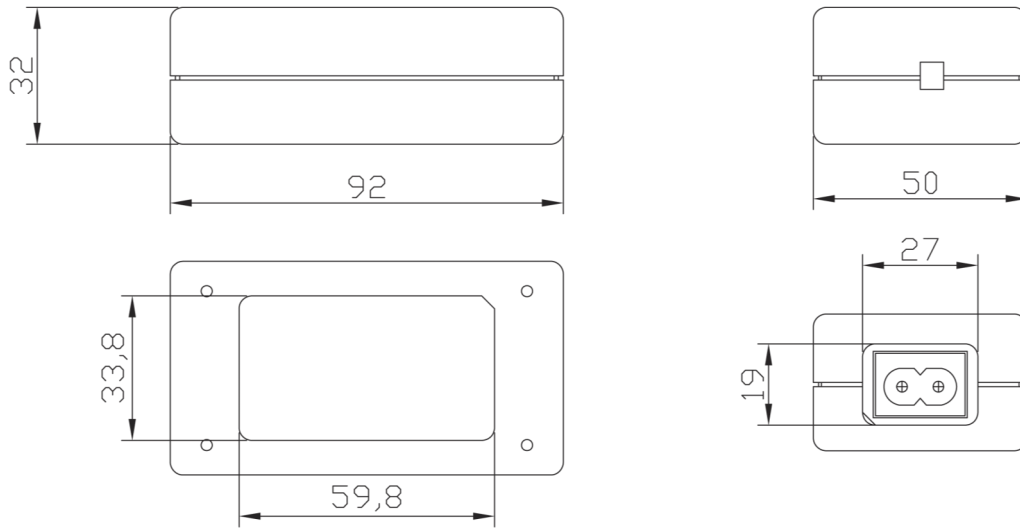
Model	Voltage DC [V]	Loading [A]	Max. Power [W]	Ripple / Noise [mV] p-p	Connector [mm]
SYS1588-2005-T2	5.1	0~4	20.4	120	2.1x5.5x11
SYS1588-2709-T2	9	0~3	27	120	2.1x5.5x11
SYS1588-3012-T2	12	0~2.5	30	200	2.1x5.5x11
SYS1588-3015-T2	15	0~2.0	30	200	2.1x5.5x11
SYS1588-3018-T2	18	0~1.66	30	240	2.1x5.5x11
SYS1588-3024-T2	24	0~1.25	30	240	2.1x5.5x11
SYS1588-3048-T2	48	0~0.63	30	400	2.1x5.5x11

Features:

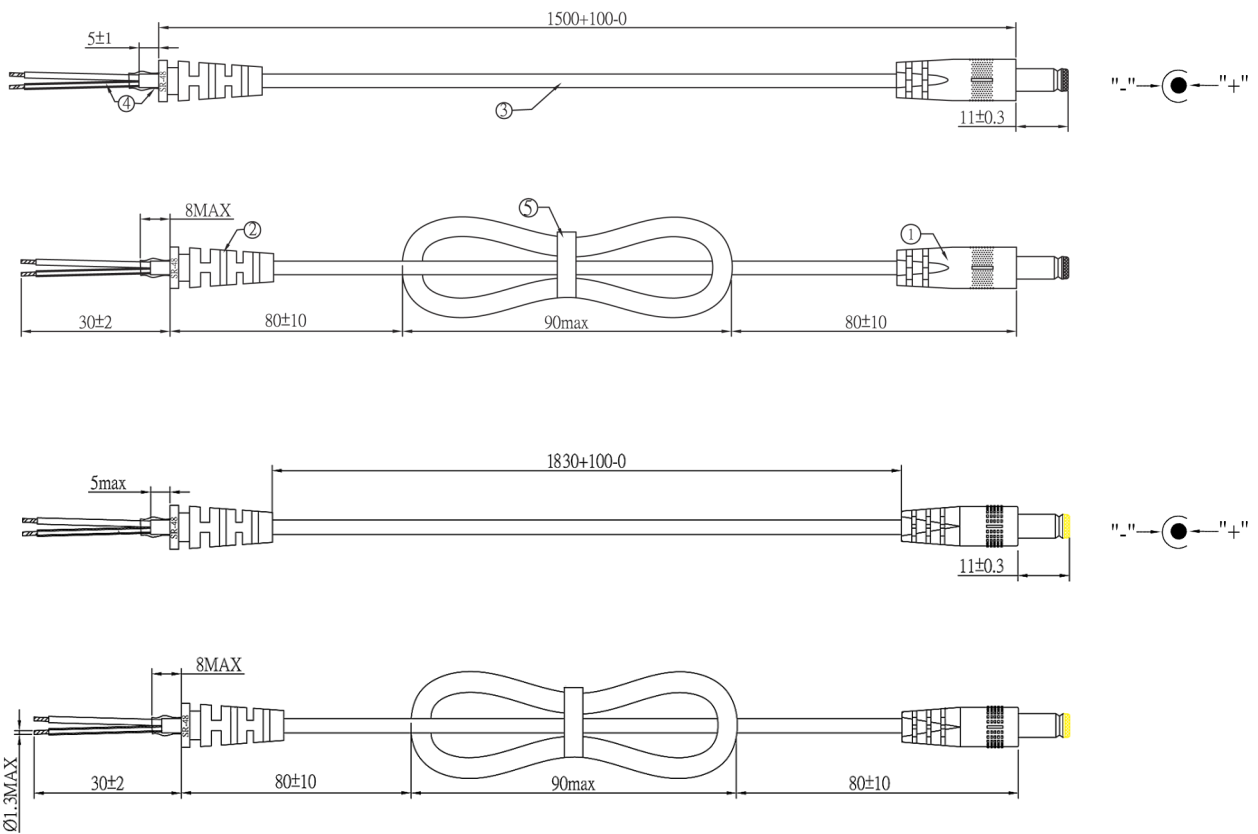
Available in inlet version: C7 (T2)
 Output connector: standard: 2.1 x 5.5 x 11mm or customer requirement | Regulated Output With Low Ripple Noise | Safety Agency Requirements and EMV/EMS Certified
 Private Label Marking Available | Modified and Custom Design Available | 2 Years Warranty

OUTPUT		CE	
Turn delay	5000 ms max@AC low line input@output full load	EMC	2014/30/EU
Hold up time	8ms min@AC nominal input@output full load	LVD	2014/35/EU EN 60950-1:2006+A11+A1+A12+A2 EN 62368-1
Efficiency (Normal)	>85%@115v/60HZ,230V/50HZ input & Full load	SAFETY	
Transient response (dv,tmax)	0.4V dv max At AC nominal input loading from 20%load to 80% load 16ms tmax Dynamic rise time 10 us max,duty 40ms max,Dynamic load step is slew rate of 0.5A/us	cTUVus FCC GS CE CB RCM SAA PSE EAC UKCA	
Power out.Limit	30W	OTHERS	
Burn in limit	Full load 2 Hours	Dielectric Strength (Hi-pot)	I/P-O/P:3000VAC
Power consumption	0.1W max. At AC nominal input@output min load	M.T.B.F	500,000 Calculated Hours at 25°C, by Telcordia SR-332
INPUT		Cable Length	1500mm (5 feet) or 1830mm (6 feet) standard cable or as
Voltage	(90~264)VAC	PLD	Line power surge Line voltage SAG-more info on request
Frequency	(47~63)hz	Cooling method	Natural Convection Cooling
Current	1.5A rms@AC low line input and DC output full load	Housing material	PC + ABS
Inrush Surge Current (cold start)	40/60A max@power supply cold start,ambient temperature 25°C @115Vac/230Vac nominal AC input	Temperature coefficient:	< ±0.5% / °C
leakage current	5mA maximum,At nominal AC input voltage and frequency.	ENVIRONMENT	
PROTECTION		Temperature	Operating: 0~40°C / Storage: -20~85°C
Over current/ Short protection	The power supply will be auto recovered when over current or short circuit faults remove (fold back). Is defined as any output impedance of less than 0.1Ω. The power supply will be auto recovered when short circuit faults remove	Humidity	Operating: 8%~90%RH / Storage: 5%~95% RH non condensing
Over Voltage	he power supply shall be self-recovering when the fault condition is removed.	WEIGHT	
Input protection	The switching adaptor use 2.0A fuse.	NW:	187g/pc
No Load protection	The power supply is provided with no load operation to prevent the power supply and system from damage.	GW:	208g/pc
Protection class	II, (ITU-T K.21 Surge 6KV on request)	PACKING	
		Box	50 pcs/1 box

Mechanical case specification:



Cable specification:



Country of Origin : China
 Operating Temperature : 0~40 [°C]
 Dimension : 92 x 50 x 32 [mm]
 Efficiency level (ErP) : VI



Approvals / Marks :



Specifications

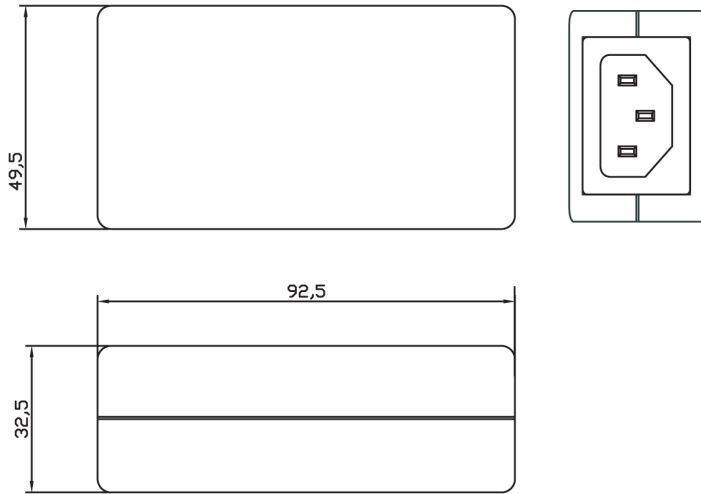
Model	Voltage DC [V]	Loading [A]	Max. Power [W]	Ripple / Noise [mV] p-p	Connector [mm]
SYS1588-2005-T3	5.1	0~4	20.4	120	2.1x5.5x11
SYS1588-2709-T3	9	0~3	27	120	2.1x5.5x11
SYS1588-3012-T3	12	0~2.5	30	200	2.1x5.5x11
SYS1588-3015-T3	15	0~2.0	30	200	2.1x5.5x11
SYS1588-3018-T3	18	0~1.66	30	240	2.1x5.5x11
SYS1588-3024-T3	24	0~1.25	30	240	2.1x5.5x11
SYS1588-3048-T3	48	0~0.63	30	400	2.1x5.5x11

Features:

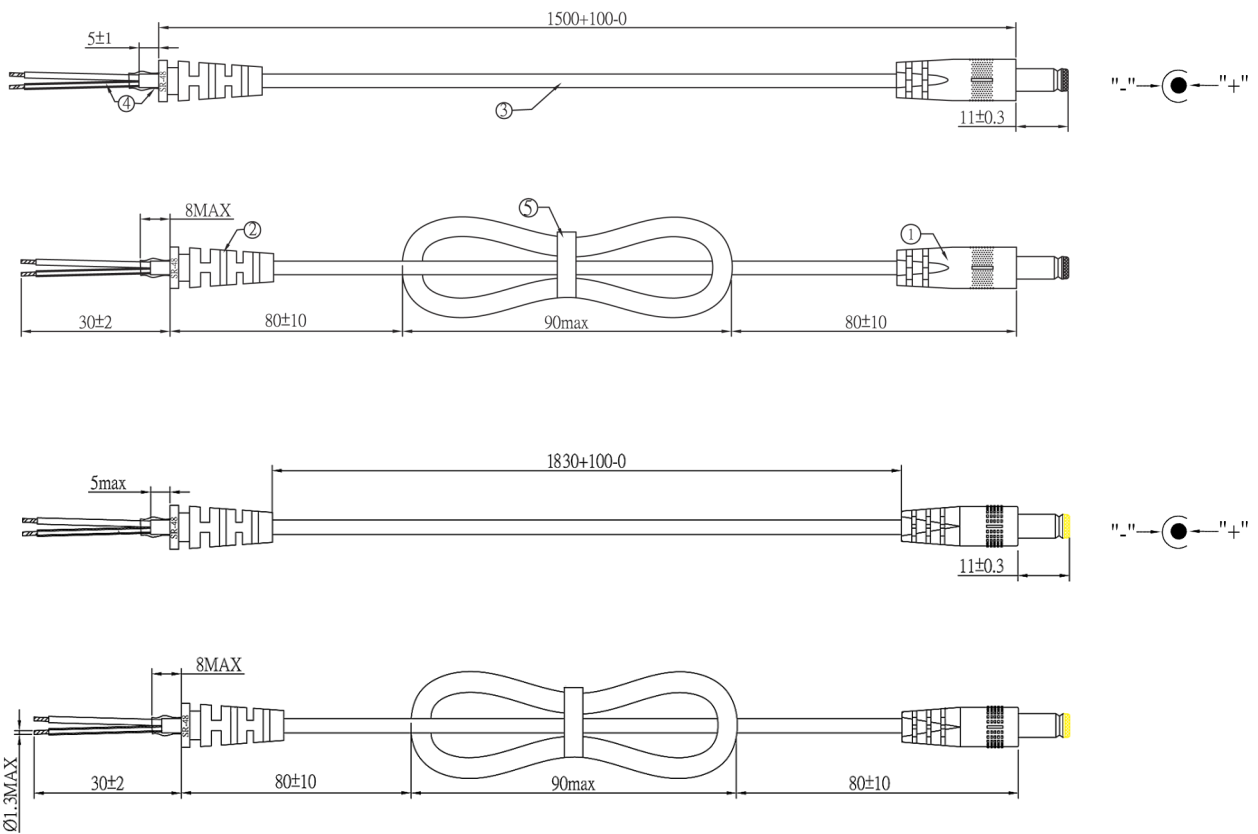
Available in inlet version: C13 (T3)
 Output connector: standard: 2.1 x 5.5 x 11mm or customer requirement | Regulated Output With Low Ripple Noise | Safety Agency Requirements and EM/EMS Certified
 Private Label Marking Available | Modified and Custom Design Available | 2 Years Warranty

OUTPUT		CE	
Turn delay	5000 ms max@AC low line input@output full load	EMC	2014/30/EU
Hold up time	8ms min@AC nominal input@output full load	LVD	2014/35/EU EN 60950-1:2006+A11+A1+A12+A2 EN 62368-1
Efficiency (Normal)	>85%@115v/60HZ,230V/50HZ input & Full load	SAFETY	
Transient response (dv,tmax)	0.4V dv max At AC nominal input loading from 20%load to 80% load 16ms tmax Dynamic rise time 10 us max,duty 40ms max,Dynamic load step is slew rate of 0.5A/us	cTUVus FCC GS CE CB RCM SAA PSE EAC UKCA CCC	
Power out.Limit	30W	OTHERS	
Burn in limit	Full load 2 Hours	Dielectric Strength (Hi-pot)	I/P-O/P:3000VAC
Power consumption	0.1W max. At AC nominal input@output min load	M.T.B.F	500,000 Calculated Hours at 25°C, by Telcordia SR-332
INPUT		Cable Length	1500mm (5 feet) or 1830mm (6 feet) standard cable or as
Voltage	(90~264)VAC	PLD (power line disturbance)	Line power surge Line voltage SAG-more info on request
Frequency	(47~63)hz	Cooling method	Natural Convection Cooling
Current	0.5A rms@AC low line input and DC output full load	Housing material	PC + ABS
Inrush Surge Current (cold start)	40/60A max@power supply cold start,ambient temperature 25°C @115Vac/230Vac nominal AC input	Temperature coefficient:	< ±0.5% / °C
leakage current	5mA maximum,At nominal AC input voltage and frequency.	ENVIRONMENT	
PROTECTION		Temperature	Operating: 0~40°C / Storage: -20~85°C
Over current/ Short protection	The power supply will be auto recovered when over current or short circuit faults remove (fold back). Is defined as any output impedance of less than 0.1Ω.The power supply will be auto recovered when short circuit faults remove	Humidity	Operating: 8%~90%RH / Storage: 5%~95% RH non condensing
Over Voltage	he power supply shall be self-recovering when the fault condition is removed.	WEIGHT	
Input protection	The switching adaptor use 2.0A fuse.	NW:	193g/pc
No Load protection	The power supply is provided with no load operation to prevent the power supply and system from damage.	GW:	214g/pc
Protection class	I, (ITU-T K.21 Surge 6KV on request)	PACKING	
		Box	50 pcs/1 box

Mechanical case specification:



Cable specification:



Country of Origin : China
 Operating Temperature : 0~40 [°C]
 Dimension : 99 x 50 x 33 [mm]
 Efficiency level (ErP) : VI





Approvals / Marks :



Specifications

Model	Voltage DC [V]	Loading [A]	Max. Power [W]	Ripple / Noise [mV] p-p	Connector [mm]
SYS1546-3612-T2	12	0~3.0	36	180	2.1x5.5x11
SYS1546-3615-T2	15	0~2.40	36	200	2.1x5.5x11
SYS1546-3618-T2	18	0~2.0	36	240	2.1x5.5x11
SYS1546-3619-T2	19	0~1.89	36	240	2.1x5.5x11
SYS1546-3624-T2	24	0~1.5	36	300	2.1x5.5x11

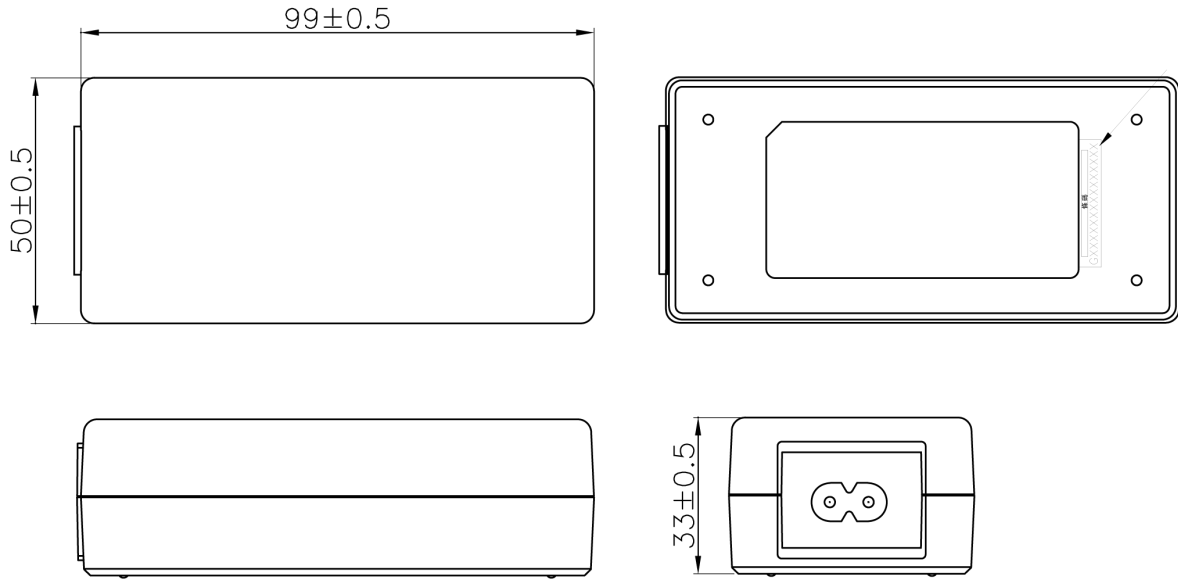
Features:

Available in 2 inlet versions: C7 (T2)  C13(T3) 
 Output connector: standard: 2.1 x 5.5 x 11mm or customer requirement | Regulated Output With Low Ripple Noise | Safety Agency Requirements and EMI/EMS Certified
 Private Label Marking Available | Modified and Custom Design Available | 2 Years Warranty

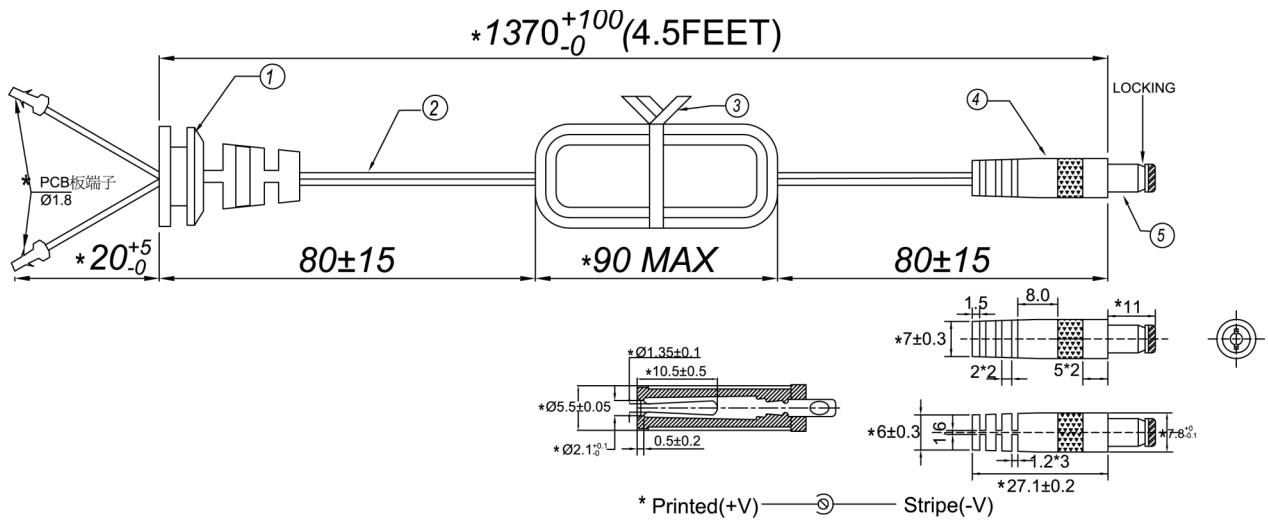
OUTPUT	
Turn delay	3000 ms max@AC low line input@output full load
Hold up time	5ms min@AC nominal input@output full load (>half cycle)
Efficiency (Normal)	Meet CEC,DOE,ERP,MEPS Level VI @115v/60HZ,230V/50HZ
Transient response (dv,tmax)	0.4V dv max At AC nominal input loading from 20%load to 80%load 16ms tmax Dynamic rise time 10us max,duty 40ms max,Dynamic load step is slew rate of 0.5A/us
Power out.Limit	Peak 40w
Burn in limit	Full load 2 Hours
Power consumption	Less than 0.075W ms max. At AC nominal input@output min load
INPUT	
Voltage	(90~264)VAC
Frequency	(47~63)hz
Current	1.5A rms@AC low line input and DC output full load
Inrush Surge Current (cold start)	40/60A max@power supply cold start,ambient temperature 25°C @115Vac/230Vac nominal AC input
leakage current	0.25mA Max
PROTECTION	
Over current/ Short protection	The power supply will self-protect any output to ground & auto recovery when abnormal circuit faults remove. An output short circuit is defined as any output impedance less than 0.1 ohms.
Over Voltage	The power supply will be auto recovered when faults remove
Input protection	F1:1A 250V Fuse The power supply shall be protected against power line surges and any abnormal condition
No Load protection	The power supply is provided with no load operation to prevent the power supply and system from damage.
Protection class	II, (ITU-T K.21 Surge 6kV on request)

CE	
EMC	2014/30/EU
LVD	2014/35/EU EN 60950-1:2006+A11+A1+A12+A2 EN 62368-1
SAFETY	
CB CE GS FCC cULus PSE SAA RCM UKCA	
OTHERS	
Dielectric Strength (Hi-pot)	Primary to Secondary:3000VAC 10mA/60S
M.T.B.F	500,000 Calculated Hours at 25°C, by Telcordia SR-332
Cable Length	1370mm (4.5 feet) standard cable or as required
PLD	Line power surge Line voltage SAG-more info on request
Cooling method	Natural Convection Cooling
Housing material	PC
Temperature coefficient:	< ±0.5% / °C
ENVIRONMENT	
Temperature	Operating: 0~40°C / Storage: -20~85°C
Humidity	Operating: 8%~90%RH / Storage: 5%~95% RH non condensing
WEIGHT	
NW: 166g/pc	
GW: 10.5kg/box	
PACKING	
PE plastic bag	60 pcs/1 box

Mechanical case specification:



Cable specification:



Country of Origin : China
 Operating Temperature : 0~40 [°C]
 Dimension : 99 x 50 x 33 [mm]
 Efficiency level (ErP) : VI





Approvals / Marks :



Specifications

Model	Voltage DC [V]	Loading [A]	Max. Power [W]	Ripple / Noise [mV] p-p	Connector [mm]
SYS1546-3612-T3	12	0~3.00	36	180	2.1x5.5x11
SYS1546-3615-T3	15	0~2.40	36	200	2.1x5.5x11
SYS1546-3618-T3	18	0~2.0	36	240	2.1x5.5x11
SYS1546-3619-T3	19	0~1.89	36	240	2.1x5.5x11
SYS1546-3624-T3	24	0~1.5	36	300	2.1x5.5x11

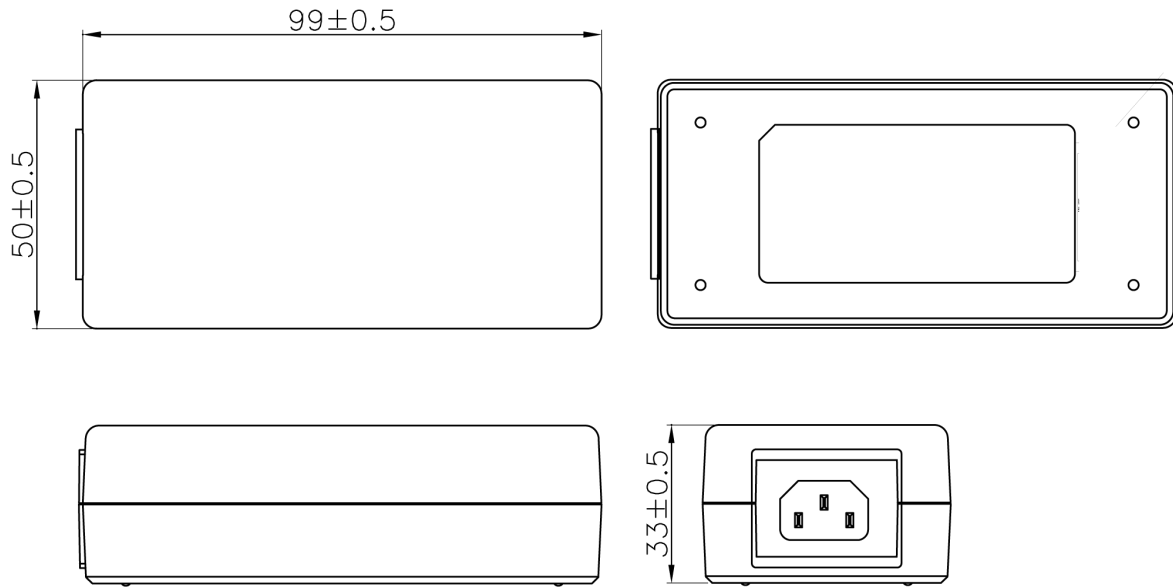
Features:

Available in 2 inlet versions: C7 (T2)  C13(T3) 
 Output connector: standard: 2.1 x 5.5 x 11mm or customer requirement | Regulated Output With Low Ripple Noise | Safety Agency Requirements and EM/EMS Certified
 Private Label Marking Available | Modified and Custom Design Available | 2 Years Warranty

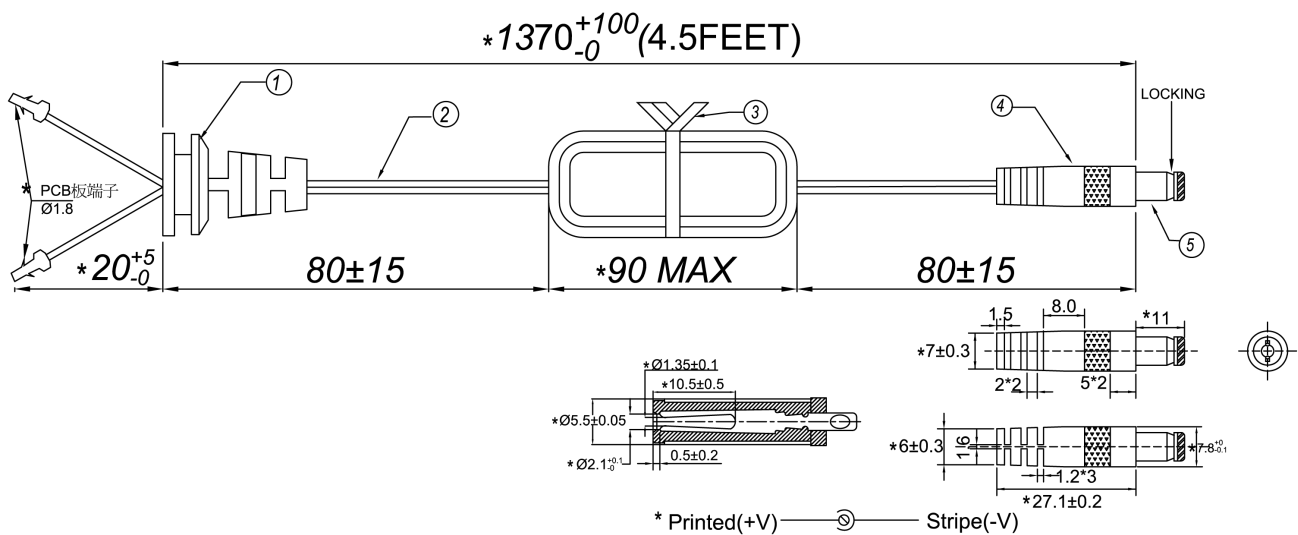
OUTPUT	
Turn delay	3000 ms max@AC low line input@output full load
Hold up time	5ms min@AC nominal input@output full load (>half cycle)
Efficiency (Normal)	Meet CEC,DOE,ERP,MEPS Level VI @115v/60HZ,230V/50HZ
Transient response (dv,tmax)	0.4V dv max At AC nominal input loading from 20%load to 80%load 16ms tmax Dynamic rise time 10us max,duty 40ms max,Dynamic load step is slew rate of 0.5A/us
Power out.Limit	Peak 40w
Burn in limit	Full load 2 Hours
Power consumption	Less than 0.075W ms max. At AC nominal input@output min load
INPUT	
Voltage	(90~264)VAC
Frequency	(47~63)hz
Current	1.5A rms@AC low line input and DC output full load
Inrush Surge Current (cold start)	40/60A max@power supply cold start,ambient temperature 25°C @115Vac/230Vac nominal AC input
leakage current	0.25mA Max
PROTECTION	
Over current/ Short protection	The power supply will self-protect any output to ground & auto recovery when abnormal circuit faults remove. An output short circuit is defined as any output impedance less than 0.1 ohms.
Over Voltage	The power supply will be auto recovered when faults remove
Input protection	F1:1A 250V Fuse The power supply shall be protected against power line surges and any abnormal condition
No Load protection	The power supply is provided with no load operation to prevent the power supply and system from damage.
Protection class	I, (ITU-T K.21 Surge 6KV on request)

CE	
EMC	2014/30/EU
LVD	2014/35/EU EN 60950-1:2006+A11+A1+A12+A2 EN 62368-1
SAFETY	
CB CE GS FCC cULus CCC BSMI PSE KC(3612only) SAA RCM NOM (3612only) UKCA BIS(3612/3615only) S-MARK	
OTHERS	
Dielectric Strength (Hi-pot)	Primary to Secondary:3000VAC 10mA/60S
M.T.B.F	500,000 Calculated Hours at 25°C, by Telcordia SR-332
Cable Length	1370mm (4.5 feet) standard cable or as required
PLD (power line disturbance)	Line power surge Line voltage SAG-more info on request
Cooling method	Natural Convection Cooling
Housing material	PC
Temperature coefficient:	< ±0.5% / °C
ENVIRONMENT	
Temperature	Operating: 0~40°C / Storage: -20~85°C
Humidity	Operating: 8%~90%RH / Storage: 5%~95% RH non condensing
WEIGHT	
NW:	170g/pc
GW:	10.5kg/box
PACKING	
PE plastic bag	60 pcs/1 box

Mechanical case specification:



Cable specification:



Country of Origin : China
 Operating Temperature : 0~40 [°C]
 Dimension : 92 x 50 x 32 [mm]
 Efficiency level (ErP) : VI



Approvals / Marks :



Specifications

Model	Voltage DC [V]	Loading [A]	Max. Power [W]	Ripple / Noise [mV] p-p	Connector [mm]
SYS1588-3005-T2	5	0~6	30	120	2.1x5.5x11
SYS1588-3609-T2	9	0~4	36	120	2.1x5.5x11
SYS1588-4012-T2	12	0~3.3	40	200	2.1x5.5x11
SYS1588-4015-T2	15	0~2.6	40	200	2.1x5.5x11
SYS1588-4018-T2	18	0~2.2	40	240	2.1x5.5x11
SYS1588-4024-T2	24	0~1.6	40	240	2.1x5.5x11
SYS1588-4048-T2	48	0~0.8	40	400	2.1x5.5x11

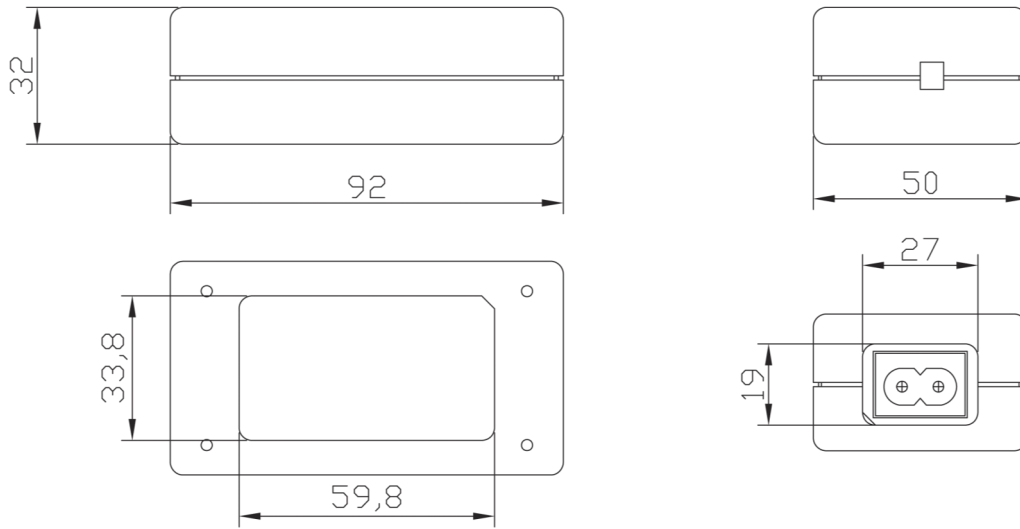
Features:

Available in inlet version: C7 (T2)
 Output connector: standard: 2.1 x 5.5 x 11mm or customer requirement | Regulated Output With Low Ripple Noise | Safety Agency Requirements and EMV/EMS Certified
 Private Label Marking Available | Modified and Custom Design Available | 2 Years Warranty

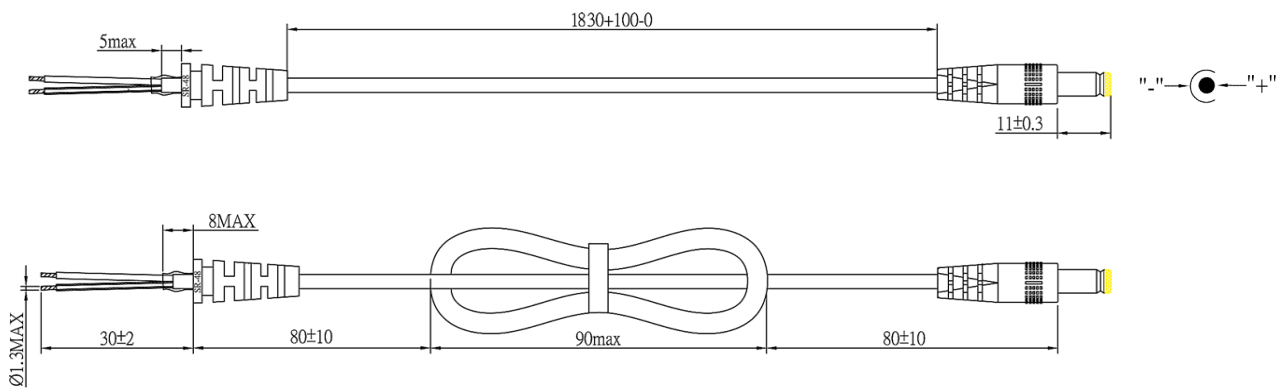
OUTPUT	
Turn delay	5000 ms max@AC low line input@output full load
Hold up time	8ms min@AC nominal input@output full load
Efficiency (Normal)	>87%@115v/60HZ,230V/50HZ input & Full load
Transient response (dv,tmax)	0.4V dv max At AC nominal input loading from 20%load to 80% load 16ms tmax Dynamic rise time 10 us max,duty 40ms max,Dynamic load step is slew rate of 0.5A/us
Power out.Limit	40W
Burn in limit	Full load 2 Hours
Power consumption	0.1W max. At AC nominal input@output min load
INPUT	
Voltage	(90~264)VAC
Frequency	(47~63)hz
Current	0.5A rms@AC low line input and DC output full load
Inrush Surge Current (cold start)	40/60A max@power supply cold start,ambient temperature 25°C @115Vac/230Vac nominal AC input
leakage current	5mA maximum,At nominal AC input voltage and frequency.
PROTECTION	
Over current/ Short protection	The power supply will be auto recovered when over current or short circuit faults remove (fold back). Is defined as any output impedance of less than 0.1Ω.The power supply will be auto recovered when short circuit faults remove
Over Voltage	The power supply shall be self-recovering when the fault condition is removed.
Input protection	The switching adaptor use 2.0A fuse.
No Load protection	The power supply is provided with no load operation to prevent the power supply and system from damage.
Protection class	II, (ITU-T K.21 Surge 6KV on request)

CE	
EMC	2014/30/EU
LVD	2014/35/EU EN 60950-1:2006+A11+A1+A12+A2
SAFETY	
cTUVus FCC GS CE CB RCM SAA PSE EAC UKCA	
OTHERS	
Dielectric Strength (Hi-pot)	I/P-O/P:3000VAC
M.T.B.F	500,000 Calculated Hours at 25°C, by Telcordia SR-332
Cable Length	1830mm (6 feet) standard cable or as required
PLD (power line disturbance)	Line power surge Line voltage SAG-more info on request
Cooling method	Natural Convection Cooling
Housing material	PC + ABS
Temperature coefficient:	< ±0.5% / °C
ENVIRONMENT	
Temperature	Operating: 0~40°C / Storage: -20~85°C
Humidity	Operating: 8%~90%RH / Storage: 5%~95% RH non condensing
WEIGHT	
NW: 187g/pc	
GW: 208g/pc	
PACKING	
Box	50 pcs/1 box

Mechanical case specification:



Cable specification:



Country of Origin : China
 Operating Temperature : 0~40 [°C]
 Dimension : 92 x 50 x 32 [mm]
 Efficiency level (ErP) : VI



Approvals / Marks :



Specifications

Model	Voltage DC [V]	Loading [A]	Max. Power [W]	Ripple / Noise [mV] p-p	Connector [mm]
SYS1588-3005-T3	5	0~6	30	120	2.1x5.5x11
SYS1588-3609-T3	9	0~4	36	120	2.1x5.5x11
SYS1588-4012-T3	12	0~3.3	40	200	2.1x5.5x11
SYS1588-4015-T3	15	0~2.6	40	200	2.1x5.5x11
SYS1588-4018-T3	18	0~2.2	40	240	2.1x5.5x11
SYS1588-4024-T3	24	0~1.6	40	240	2.1x5.5x11
SYS1588-4048-T3	48	0~0.8	40	400	2.1x5.5x11

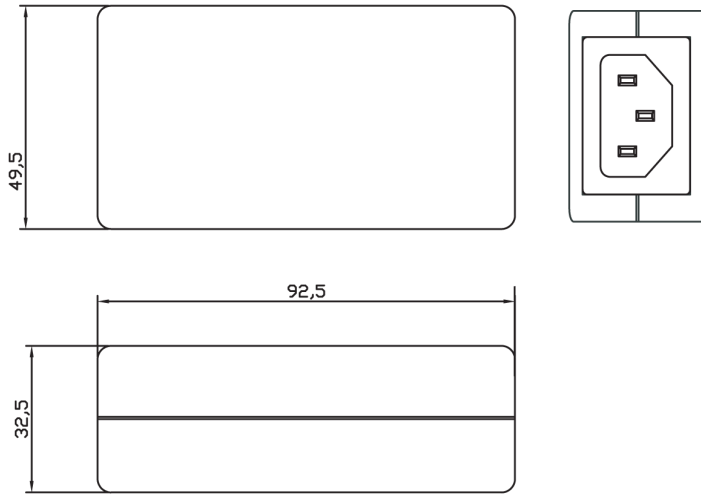
Features:

Available in inlet version: C13 (T3)
 Output connector: standard: 2.1 x 5.5 x 11mm or customer requirement | Regulated Output With Low Ripple Noise | Safety Agency Requirements and EMI/EMS Certified
 Private Label Marking Available | Modified and Custom Design Available | 2 Years Warranty

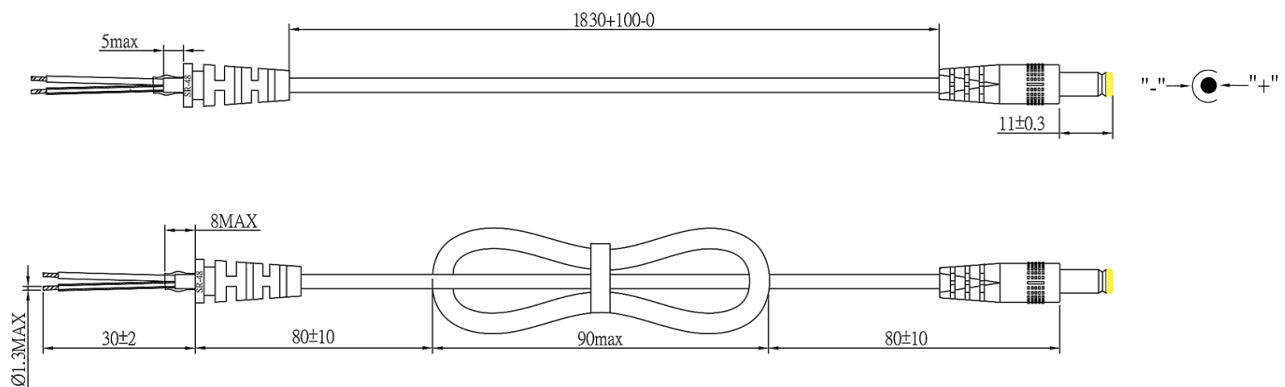
OUTPUT	
Turn delay	5000 ms max@AC low line input@output full load
Hold up time	8ms min@AC nominal input@output full load
Efficiency (Normal)	>87%@115v/60HZ,230V/50HZ input & Full load
Transient response (dv,tmax)	0.4V dv max At AC nominal input loading from 20%load to 80% load 16ms tmax Dynamic rise time 10 us max,duty 40ms max,Dynamic load step is slew rate of 0.5A/us
Power out.Limit	40W
Burn in limit	Full load 2 Hours
Power consumption	0.1W max. At AC nominal input@output min load
INPUT	
Voltage	(90~264)VAC
Frequency	(47~63)hz
Current	0.5A rms@AC low line input and DC output full load
Inrush Surge Current	40/60A max@power supply cold start,ambient temperature 25°C
leakage current	5mA maximum,At nominal AC input voltage and frequency.
PROTECTION	
Over current/ Short protection	The power supply will be auto recovered when over current or short circuit faults remove (fold back). Is defined as any output impedance of less than 0.1Ω.The power supply will be auto recovered when short circuit faults remove
Over Voltage	The power supply shall be self-recovering when the fault condition is removed.
Input protection	The switching adaptor use 2.0A fuse.
No Load protection	The power supply is provided with no load operation to prevent the power supply and system from damage.
Protection class	I, (ITU-T K.21 Surge 6KV on request)

CE	
EMC	2014/30/EU
LVD	2014/35/EU EN 60950-1:2006+A11+A1+A12+A2 EN 62368-1
SAFETY	
cTUVus FCC GS CE CB RCM SAA PSE EAC UKCA CCC	
OTHERS	
Dielectric Strength (Hi-pot)	I/P-O/P:3000VAC
M.T.B.F	500,000 Calculated Hours at 25°C, by Telcordia SR-332
Cable Length	1830mm (6 feet) standard cable or as required
PLD	Line power surge Line voltage SAG-more info on request
Cooling method	Natural Convection Cooling
Housing material	PC + ABS
Temperature coefficient:	< ±0.5% / °C
ENVIRONMENT	
Temperature	Operating: 0~40°C / Storage: -20~85°C
Humidity	Operating: 8%~90%RH / Storage: 5%~95% RH non condensing
WEIGHT	
NW: 193g/pc	
GW: 214g/pc	
PACKING	
Box	50 pcs/1 box

Mechanical case specification:



Cable specification:



Country of Origin : China
 Operating Temperature : 0~40 [°C]
 Dimension : 115 x 55 x 35 [mm]
 Efficiency level (ErP) : VI



For UNI models only:



Approvals / Marks :



Specifications

Model	Voltage DC [V]	Loading [A]	Max. Power [W]	Ripple / Noise [mV] p-p	Connector [mm]
SYS1548-5012-T2	12	0~4.17	50	200	2.1x5.5x11
SYS1548-5024-T2	24	0~2.08	50	240	2.1x5.5x11
SYS1548-6512-T2	12	0~5.42	65	180	2.1x5.5x11
SYS1548-6512-T2	12	0~5.42	65	180	2.5x5.5x11
SYS1548-6512-T2	12	0~5.42	65	180	(*)
SYS1548-6515-T2	15	0~4.33	65	200	2.1x5.5x11
SYS1548-6518-T2	18	0~3.61	65	240	2.1x5.5x11
SYS1548-6519-T2	19	0~3.42	65	240	2.1x5.5x11
SYS1548-6524-T2	24	0~2.71	65	300	2.1x5.5x11
SYS1548-6536-T2	36	0~1.80	65	360	2.1x5.5x11

Features:

(*) DC Connectors	mentioned or It will be provide with the specify model per request.	"E" - 4.2 x 6.0 x 10 CenterPINØ1.4mm (black) for LCD (DELL+LG) "B" - 2.1 x 5.5 x 9.5 (black) for common use "M" - 2.5 x 5.5 x 11.5 (white) for LCD ACER "D" - 3.0 x 6.3 x 9 (green) for LCD ACER "E" - 1.7 x 5.5 x 11.5 (yellow)
-------------------	---	--

Available in 2 inlet versions: C7 (T2)  C13(T3) 
 Output connector: standard: 2.1 x 5.5 x 11mm or customer requirement | Regulated Output With Low Ripple Noise | Safety Agency Requirements and EM/EMS Certified
 Private Label Marking Available | Modified and Custom Design Available | 2 Years Warranty

OUTPUT

Turn delay	3000 ms max@AC low line input@output full load
Hold up time	5ms min@AC nominal input@output full load (>half cycle)
Efficiency (Normal)	Meet CEC,DOE,ERP,MEPS Level VI@115v/60HZ,230V/50HZ
Transient response (dv,tmax)	0.4V dv max At AC nominal input loading from 20%load to 80% load
	16ms tmax Dynamic rise time 10 us max,duty 40ms max,Dynamic load step is slew rate of 0.5A/us
Power out.Limit	Peak 75w
Burn in limit	Full load 2 Hours
Power consumption	Less than 0.075W ms max. At AC nominal input@output min load

INPUT

Voltage	(90~264)VAC
Frequency	(47~63)hz
Current	2.0A rms@AC low line input and DC output full load
Inrush Surge Current (cold start)	40/80A max@power supply cold start,ambient temperature 25°C @115Vac/230Vac nominal AC input
leakage current	T2:0.25mA max T3:3.0mA max

PROTECTION

Over current/ Short protection	The power supply will self-protect any output to ground & auto recovery when abnormal circuit faults remove. An output short circuit is defined as any output impedance less than 0.1 ohms.
Over Voltage	The power supply will be auto recovered when faults remove
Input protection	F1:3.15A 250V Fuse The power supply shall be protected against power line surges and any abnormal condition
No Load protection	The power supply is provided with no load operation to prevent the power supply and system from damage.
Protection class	II, (ITU-T K.21 Surge 6KV on request)

CE

EMC	2014/30/EU
LVD	2014/35/EU EN 60950-1:2006+A11+A1+A12+A2 EN 62368-1

SAFETY

CB | CE | GS | FCC | cULus | SAA | RCM

OTHERS

Dielectric Strength (Hi-pot)	Primary to Secondary:3000VAC 10mA/60S
M.T.B.F	500,000 Calculated Hours at 25°C, by Telcordia SR-332
Cable Length	1500mm (5 feet) standard cable or as required
PLD (power line disturbance)	Line power surge Line voltage SAG-more info on request
Cooling method	Natural Convection Cooling
Housing material	PC or PPO
Temperature coefficient:	< ±0.5% / °C

ENVIRONMENT

Temperature	Operating: 0~40°C / Storage: -20~85°C
Humidity	Operating: 8%~90%RH / Storage: 5%~95% RH non condensing

WEIGHT

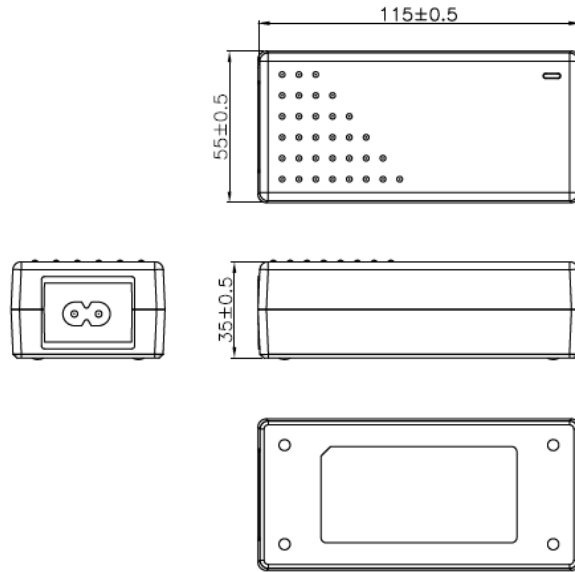
NW: 290g/pc

GW: 16kg/box

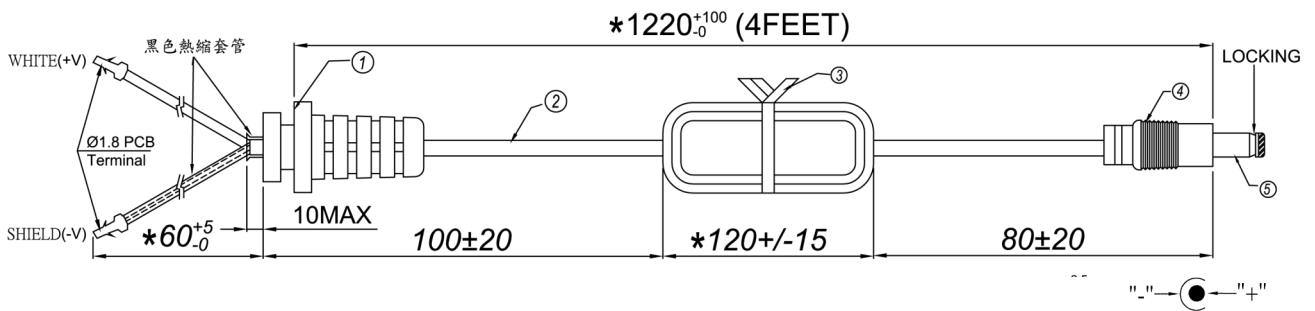
PACKING

PE plastic bag	60 pcs/1 box 48x44x23 cm
----------------	--------------------------

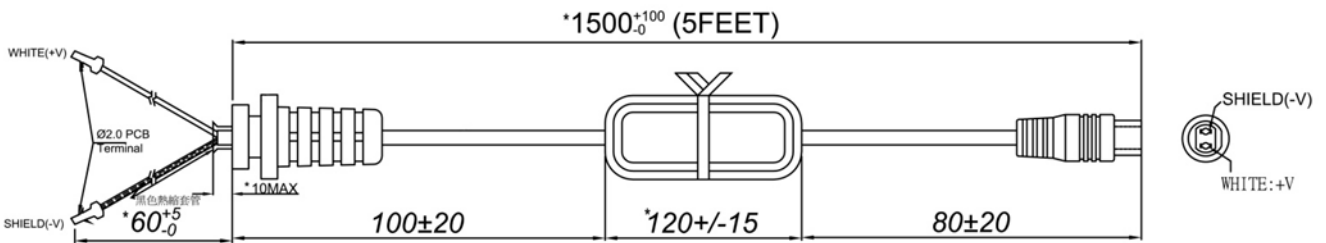
Mechanical case specification:



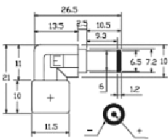
Cable specification:



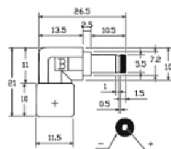
a) UNI cable type (1185#16*1C + shield / 5FT) ---- types of UNI plugs can be changed by customer



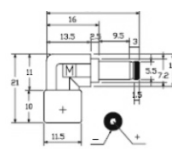
"E" type: (4.2x6.0x10.0 CPØ1.4)



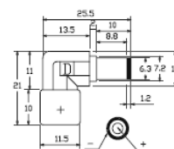
"B" type: (2.1x5.5x9.5)



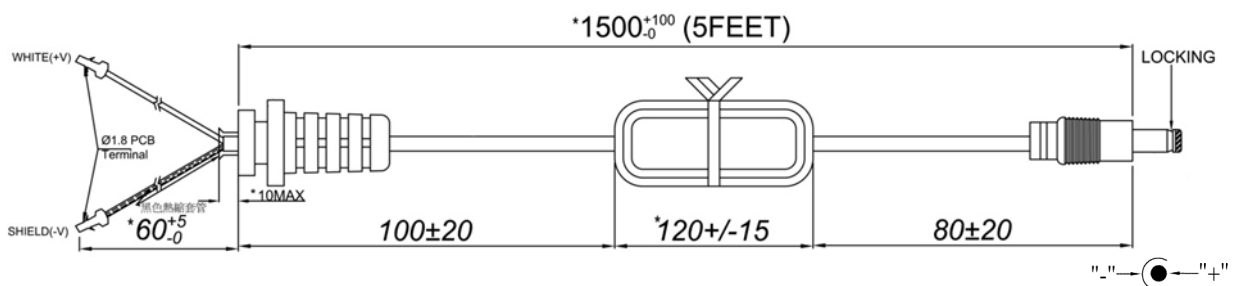
"M" type: (2.5x5.5x11.5)



"D" type: (3.0 x 6.3 x 9)



b) FIX cable type (1185#16 for 12V model, 1185#20 for 24V model)



Country of Origin : China
 Operating Temperature : 0~40 [°C]
 Dimension : 115 x 55 x 35 [mm]
 Efficiency level (ErP) : VI





Approvals / Marks :



Specifications

Model	Voltage DC [V]	Loading [A]	Max. Power [W]	Ripple / Noise [mV] p-p	Connector [mm]
SYS1548-5012-T3	12	0~4.17	50	200	2.1x5.5x11
SYS1548-5024-T3	24	0~2.08	50	240	2.1x5.5x11
SYS1548-6512-T3	12	0~5.42	65	180	2.1x5.5x11
SYS1548-6512-T3	12	0~5.42	65	180	2.5x5.5x11
SYS1548-6515-T3	15	0~4.33	65	200	2.1x5.5x11
SYS1548-6518-T3	18	0~3.61	65	240	2.1x5.5x11
SYS1548-6519-T3	19	0~3.42	65	240	2.1x5.5x11
SYS1548-6524-T3	24	0~2.71	65	300	2.1x5.5x11
SYS1548-6536-T3	36	0~1.80	65	360	2.1x5.5x11

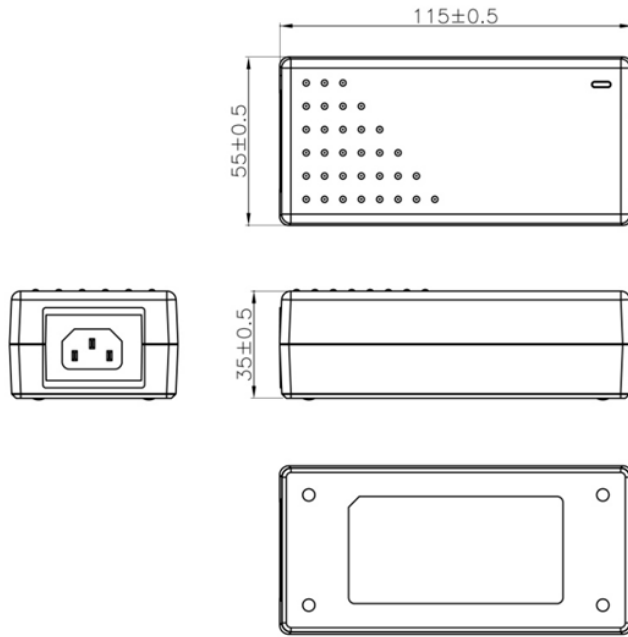
Features:

Available in 2 inlet versions: C7 (T2)  C13(T3) 
 Output connector: standard: 2.1 x 5.5 x 11mm or customer requirement | Regulated Output With Low Ripple Noise | Safety Agency Requirements and EMI/EMS Certified
 Private Label Marking Available | Modified and Custom Design Available | 2 Years Warranty

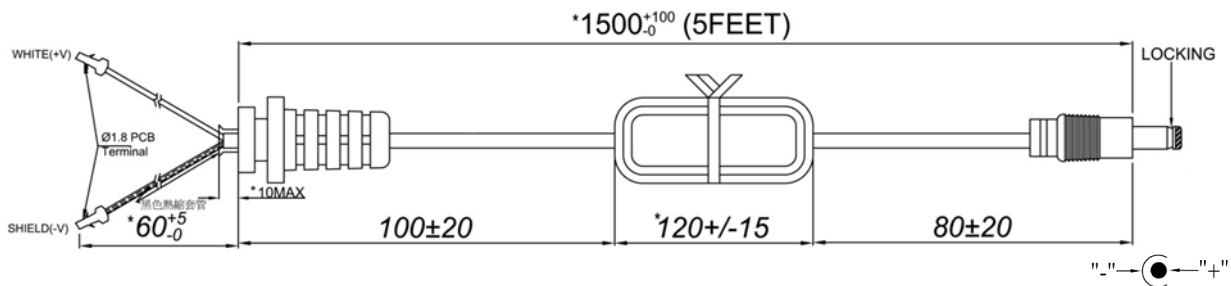
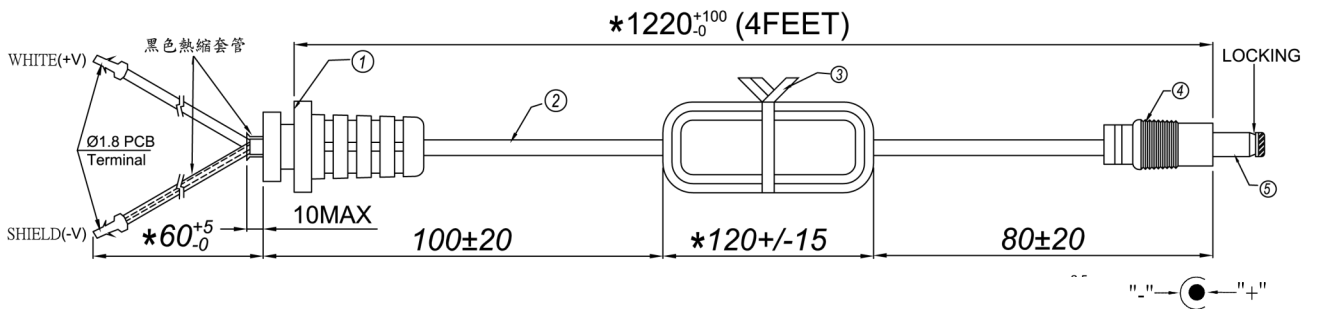
OUTPUT	
Turn delay	3000 ms max@AC low line input@output full load
Hold up time	5ms min@AC nominal input@output full load (>half cycle)
Efficiency (Normal)	Meet CEC,DOE,ERP,MEPS Level VI@115v/60HZ,230V/50HZ
Transient response (dv,tmax)	0.4V dv max At AC nominal input loading from 20%load to 80%load 16ms tmax Dynamic rise time 10 us max,duty 40ms max,Dynamic load step is slew rate of 0.5A/us
Power out.Limit	Peak 75w
Burn in limit	Full load 2 Hours
Power consumption	Less than 0.075W ms max. At AC nominal input@output min load
INPUT	
Voltage	(90~264)VAC
Frequency	(47~63)hz
Current	2.0A rms@AC low line input and DC output full load
Inrush Surge Current (cold start)	40/80A max@power supply cold start,ambient temperature 25°C @115Vac/230Vac nominal AC input
leakage current	T2:0.25mA max T3:3.0mA max
PROTECTION	
Over current/ Short protection	The power supply will self-protect any output to ground & auto recovery when abnormal circuit faults remove. An output short circuit is defined as any output impedance less than 0.1 ohms.
Over Voltage	The power supply will be auto recovered when faults remove
Input protection	F1:3.15A 250V Fuse The power supply shall be protected against power line surges and any abnormal condition
No Load protection	The power supply is provided with no load operation to prevent the power supply and system from damage.
Protection class	I, (ITU-T K.21 Surge 6KV on request)

CE	
EMC	2014/30/EU
LVD	2014/35/EU EN 60950-1:2006+A11+A1+A12+A2 EN 62368-1
SAFETY	
CB CE GS FCC cULus CCC BSMI PSE KC(only12V) SAA RCM NOM (only5012/6012) UKCA EAC(only5012) BIS(only6512/6012/5012) S-MARK STCOA	
OTHERS	
Dielectric Strength (Hi-pot)	Primary to Secondary:3000VAC 10mA/60S
M.T.B.F	500,000 Calculated Hours at 25°C, by Telcordia SR-332
Cable Length	1500mm (5 feet) standard cable or as required 1200mm (4 feet) cable for SYS1548-5012-T3
PLD (power line disturbance)	Line power surge Line voltage SAG-more info on request
Cooling method	Natural Convection Cooling
Housing material	PC or PPO
Temperature coefficient:	< ±0.5% / °C
ENVIRONMENT	
Temperature	Operating: 0~40°C / Storage: -20~85°C
Humidity	Operating: 8%~90%RH / Storage: 5%~95% RH non condens-ing
WEIGHT	
NW:	300g/pc
GW:	16kg/box
PACKING	
PE plastic bag	60 pcs/1 box 48x44x23 cm

Mechanical case



Cable specification:



Country of Origin : China

Efficiency level (ErP) : VI



Approvals / Marks :


Specifications

Model	Voltage DC [V]	Loading [A]	Max. Power [W]
ATS 065T-P480-T3	48	0~1.36	65

Features:

Compliant to DoE 2016 (Level VI) | ErP Stage 2, NRCan & GEMS Level VI | No Load Power Consumption < 0.1 W | Regulated Output with Low Ripple Noise | 1 Year Warranty

INPUT

Voltage	AC 100 V – 240 V
Frequency	50 Hz - 60 Hz
Current	1.40 A max.
Protection	Internal Primary Current Fuse, Inrush Limiting

OUTPUT

Load Regulation	± 5 % (typical)
Ripple	1 % – 2 % V p-p max. for output voltage at full load
Transient Response	0.5 ms for 50 % load change typical
Leakage Current	0.25 mA max.
Protection	Short circuit Protection • Over Voltage Protection • Over Current Protection

OTHERS

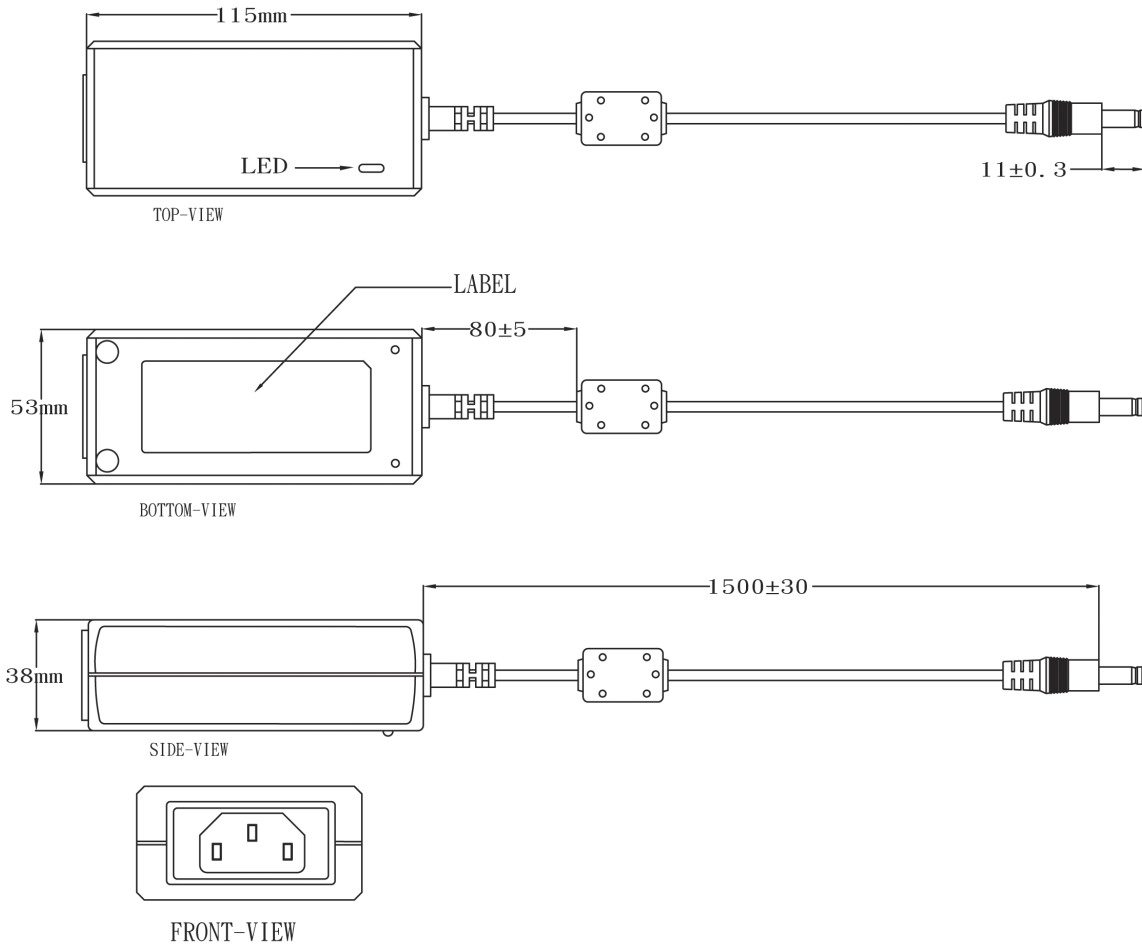
Cooling	Convection
Efficiency	DoE Level VI • Energy Star • ErP Stage 2 • NRCan & GEMS Level VI Certified
Holdup Time	10 ms at full load
Dielectric Withstand	AC 3000 V Primary – Secondary
MTBF	300,000 calculated hours at 25 °C by telcordia SR-332
Output Cable	UL 1185 20 AWG / 18 AWG / 16 AWG, Ferrit Core, Length: 150 cm
Output Connector Type	Standard: 5.5 x 2.1 x 11 mm

ENVIRONMENT

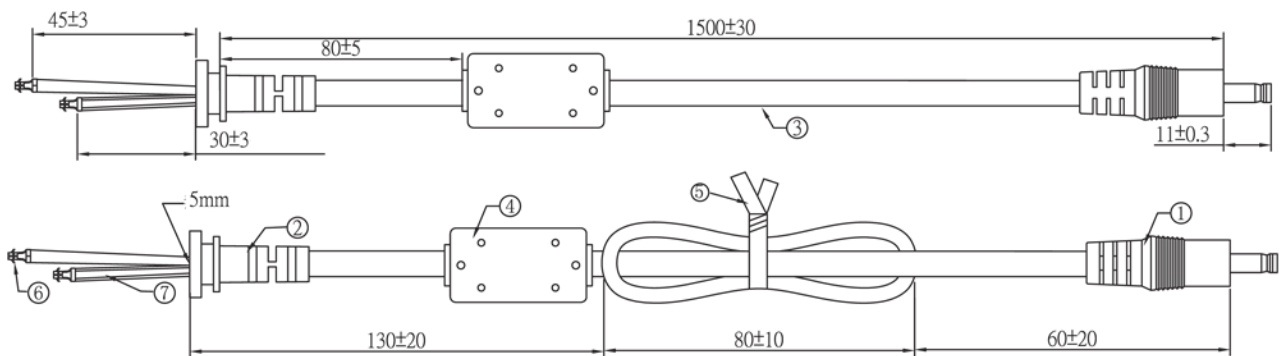
Temperature	Operating: 0 °C – 40 °C / Storage: -20 °C – 80 °C
Humidity	Operating: 20 % RH – 80 % RH / Storage: 10 % RH – 90 % RH

EMI Conduction & Radiation	Compliance to EN 55022 Class B
Harmonic Current	Compliance to EN 61000-3-2, -3
EMS Immunity	Compliance to IEC 61000-1-2, -3, -4, -5, -6, -8, -11
Safety	IEC / EN / UL 62368-1 • IEC / EN / UL 60950-1 • CE • RCM • PSE • BSMI
Case Dimensions	115 mm × 53 mm × 38 mm
Weight	310 g

Mechanical case specification:



Cable specification:



Country of Origin : China
 Operating Temperature : 0~40 [°C]
 Dimension : 139 x 61 x 33 [mm]
 Efficiency level (ErP) : VI



Approvals / Marks :



Specifications

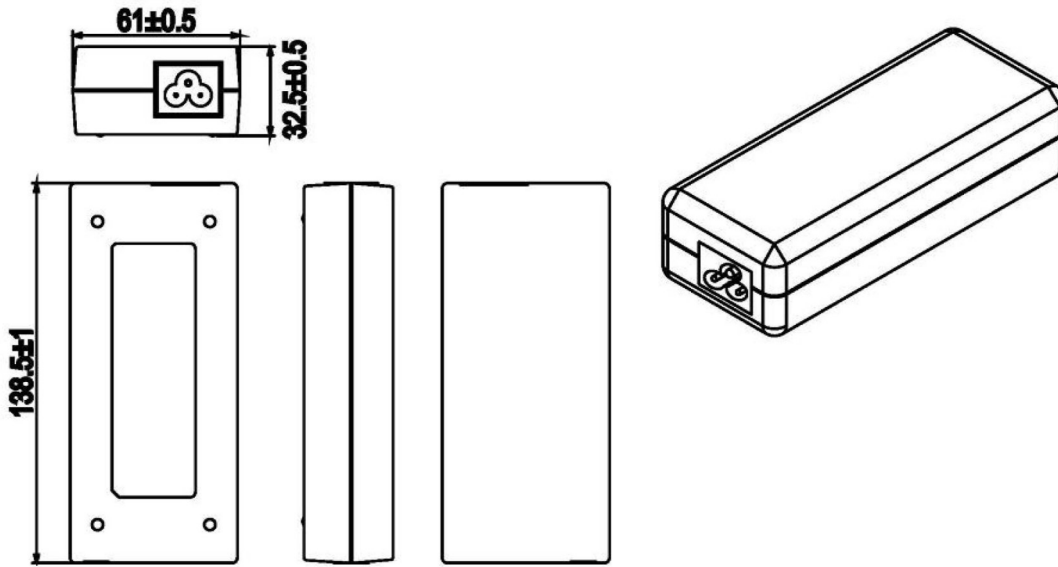
Model	Voltage DC [V]	Loading [A]	Max. Power [W]	Ripple / Noise [mV] p-p	Connector [mm]
SYS1575-9012-M3	12	0~7.5	90	200	2.1x5.5x11
SYS1575-9015-M3	15	0~6.0	90	200	2.1x5.5x11
SYS1575-9018-M3	18	0~5.0	90	200	2.1x5.5x11
SYS1575-9019-M3	19	0~4.73	90	200	2.1x5.5x11
SYS1575-9020-M3	20	0~4.5	90	200	2.1x5.5x11
SYS1575-9024-M3	24	0~3.75	90	240	2.1x5.5x11
SYS1575-9036-M3	36	0~2.5	90	360	2.1x5.5x11
SYS1575-9048-M3	48	0~1.87	90	480	2.1x5.5x11
SYS1575-9054-M3	54	0~1.6	90	540	2.1x5.5x11

Features:

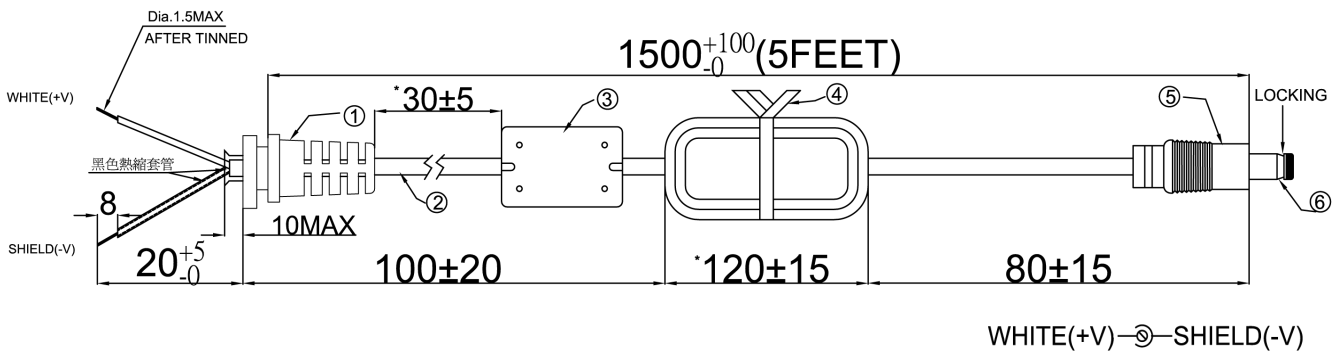
Available in inlet version: C5 (M3)
 Output connector: standard: 2.1 x 5.5 x 11mm or customer requirement | Regulated Output With Low Ripple Noise | Safety Agency Requirements and EMI/EMS Certified
 Private Label Marking Available | Modified and Custom Design Available | 2 Years Warranty

OUTPUT		CE	
Turn delay	7000ms max@AC low line input@output full load	EMC	2014/30/EU
Hold up time	10ms min@AC nominal input@output full load (>half cycle)	LVD	2014/35/EU EN 60950-1:2006+A11+A1+A12+A2 EN 62368-1
Efficiency (Normal)	Meet CEC,DOE,ERP,MEPS Level VI@115v/60HZ,230V/50HZ	SAFETY	
Transient response (dv,tmax)	2V dv max At AC nominal input loading from 20%load to 80%load Dynamic rise time 10 us max,duty 40ms max,Dynamic load step is slew rate of 0.5A/us	CB CE FCC cULus SAA RCM	
Power out.Limit	Peak 110w	OTHERS	
Burn in limit	Full load 2 Hours	Dielectric Strength (Hi-pot)	Primary to Secondary:1500VAC 10mA/60S
Power consumption	Less than 0.21W ms max. At AC nominal input@output min load	M.T.B.F	500,000 Calculated Hours at 25°C, by Telcordia SR-332
INPUT		Cable Length	1500mm (5 feet) standard cable or as required
Voltage	(90~264)VAC	PLD (power line disturbance)	Line power surge Line voltage SAG-more info on request
Frequency	(47~63)hz	Cooling method	Natural Convection Cooling
Current	2.5A rms@AC low line input and DC output full load	Housing material	PC or PPO
Inrush Surge Current (cold start)	100A max@power supply cold start,ambient temperature 25°C @115Vac/230Vac nominal AC input	Temperature coefficient:	< ±0.5% / °C
leakage current	3.2mA max	ENVIRONMENT	
PROTECTION		Temperature	Operating: 0~40°C / Storage: -20~85 °C
Over current/ Short protection	The power supply will self-protect any output to ground & auto recovery when abnormal circuit faults remove. An output short circuit is defined as any output impedance less than 0.1 ohms.	Humidity	Operating: 8%~90%RH / Storage: 5%~95% RH non condensing
Over Voltage	The power supply will be auto recovered when faults remove	WEIGHT	
Input protection	F1:4A 250V Fuse The power supply shall be protected against power line surges and any abnormal condition	NW: 438g/pc	
No Load protection	The power supply is provided with no load operation to prevent the power supply and system from damage.	GW: about 17kg/box - depends on the model	
Protection class	I, (ITU-T K.21 Surge 6KV on request)	PACKING	
		30 pcs/1 box	

Mechanical case specification:



Cable specification:



Country of Origin : China
 Operating Temperature : 0~40 [°C]
 Dimension : 169 x 61 x 39 [mm]
 Efficiency level (ErP) : VI



Approvals / Marks :



Specifications

Model	Voltage DC [V]	Loading [A]	Max. Power [W]	Ripple / Noise [mV] p-p	Connector [mm]
SYS1576-12012-M3	12	0~10.0	120	200	2.1x5.5x11
SYS1576-12015-M3	15	0~8.0	120	200	2.1x5.5x11
SYS1576-12018-M3	18	0~6.66	120	200	2.1x5.5x11
SYS1576-12019-M3	19	0~6.31	120	200	2.1x5.5x11
SYS1576-12020-M3	20	0~6.0	120	200	2.1x5.5x11
SYS1576-12024-M3	24	0~5.0	120	240	2.1x5.5x11
SYS1576-13036-M3	36	0~3.6	130	360	2.1x5.5x11
SYS1576-13048-M3	48	0~2.7	130	480	2.1x5.5x11
SYS1576-13054-M3	54	0~2.4	130	540	2.1x5.5x11

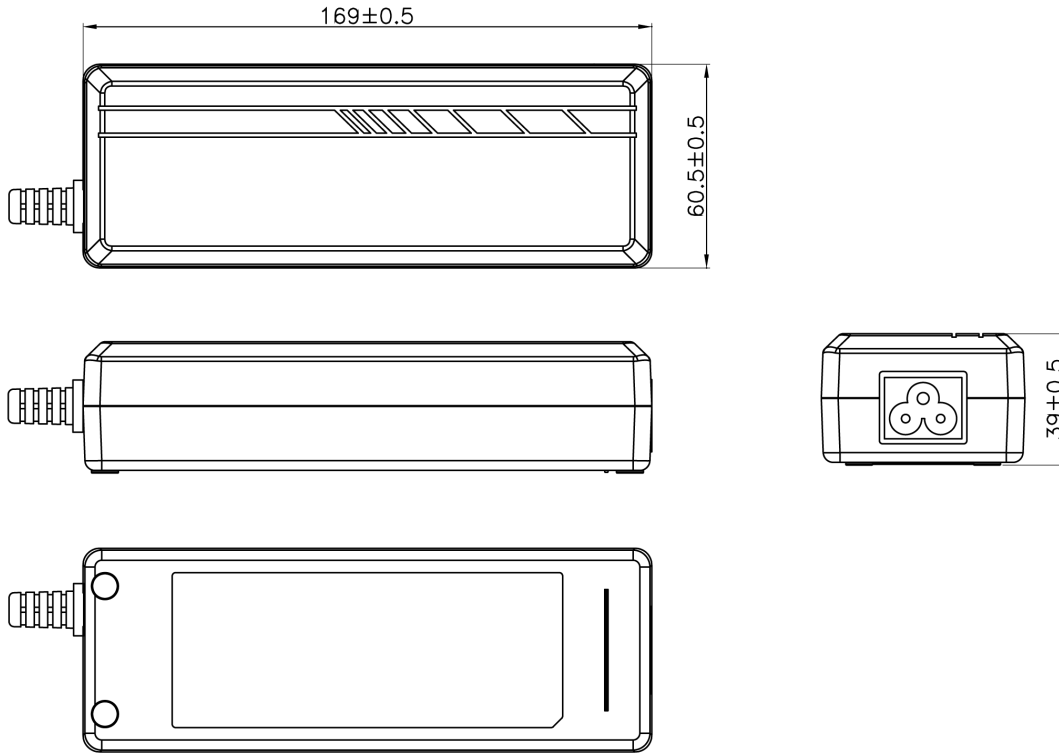
Features:

Available in inlet version: C5 (M3)
 Output connector: standard: 2.1 x 5.5 x 11mm or customer requirement | Regulated Output With Low Ripple Noise | Safety Agency Requirements and EMI/EMS Certified
 Private Label Marking Available | Modified and Custom Design Available | 2 Years Warranty

OUTPUT	
Turn delay	7000ms max@AC low line input@output full load
Hold up time	5ms min@AC nominal input@output full load (>half cycle)
Efficiency (Normal)	Meet CEC,DOE,ERP,MEPS Level VI@115v/60HZ,230V/50HZ
Transient response (dv,tmax)	1.2V dv max At AC nominal input loading from 20%load to 80% load Dynamic rise time 10 us max,duty 40ms max,Dynamic load step is slew rate of 0.5A/us
Power out.Limit	Peak 150w
Burn in limit	Full load 2 Hours
Power consumption	Less than 0.21W ms max. At AC nominal input@output min load
INPUT	
Voltage	(90~264)VAC
Frequency	(47~63)hz
Current	4A rms@AC low line input and DC output full load
Inrush Surge Current (cold start)	120A max@power supply cold start,ambient temperature 25°C @115Vac/230Vac nominal AC input
leakage current	3.5mA max
PROTECTION	
Over current/ Short protection	The power supply will self-protect any output to ground & auto recovery when abnormal circuit faults remove. An output short circuit is defined as any output impedance less than 0.1 ohms.
Over Voltage	The power supply will be auto recovered when faults remove
Input protection	F1:6.3A 250V Fuse The power supply shall be protected against power line surges and any abnormal condition
No Load protection	The power supply is provided with no load operation to prevent the power supply and system from damage.
Protection class	I, (ITU-T K.21 Surge 6KV on request)

CE	
EMC	2014/30/EU
LVD	2014/35/EU EN 60950-1:2006+A11+A1+A12+A2 EN 62368-1
SAFETY	
CB CE FCC cULus SAA RCM	
OTHERS	
Dielectric Strength (Hi-pot)	Primary to Secondary:1500VAC 10mA/60S
M.T.B.F	500,000 Calculated Hours at 25°C, by Telcordia SR-332
Cable Length	1500mm (5 feet) standard cable or as required
PLD (power line disturb-)	Line power surge Line voltage SAG-more info on request
Cooling method	Natural Convection Cooling
Housing material	PC or PPO
Temperature coefficient:	< ±0.5% / °C
ENVIRONMENT	
Temperature	Operating: 0~40°C / Storage: -20~85°C
Humidity	Operating: 8%~90%RH / Storage: 5%~95% RH non condensing
WEIGHT	
NW: 680 g/pc (estimated)	
GW: 19 kg/box (estimated)	
PACKING	
25 pcs/1 box	

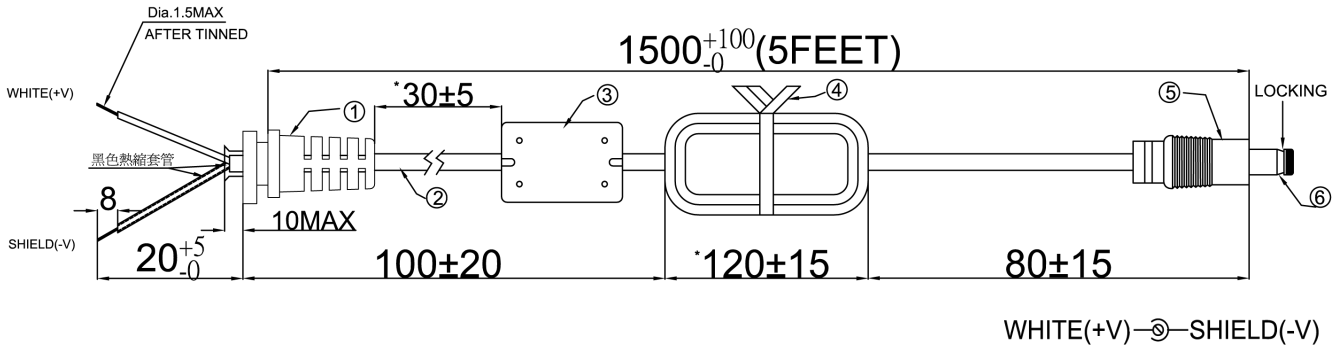
Mechanical case specification:



Cable specification:

for models with Voltage 12V-15V
1185#14*1C+SHIELD|1500mm

for models with Voltage 18V-54V
1185#16*1C+SHIELD|1500mm



Country of Origin : China

Efficiency level (ErP) : VI



Approvals / Marks :



Specifications

Model	Voltage DC [V]	Loading [A]	Max. Power [W]
STD 12090-T3	12	0~9.0	108
STD 15080-T3	15	0~8.0	120
STD 16075-T3	16	0~7.5	120
STD 18066-T3	18	0~6.6	120
STD 19063-T3	19	0~6.3	120
STD 20060-T3	20	0~6.0	120
STD 24050-T3	24	0~5.0	120
STD 30040-T3	30	0~4.0	120
STD 48025-T3	48	0~2.5	120
STD 56021-T3	56	0~2.15	120

Features:

Compliant to DoE 2016 (Level VI) | ErP Stage 2, NRCan & GEMS Level VI | No Load Power Consumption < 0.1 W | Regulated Output with Low Ripple Noise | 1 Year Warranty

INPUT

Voltage	AC 100 V – 240 V
Frequency	50 Hz - 60 Hz
Current	1.6 A max.
Protection	Internal Primary Current Fuse, Inrush Limiting

OUTPUT

Load Regulation	± 5 % (typical)
Ripple	1 % – 2 % V p-p max. for output voltage at full load
Transient Response	0.5 ms for 50 % load change typical
Leakage Current	0.25 mA max.
Protection	Short circuit Protection • Over Voltage Protection • Over Current Protection

OTHERS

Cooling	Convection
Efficiency	DoE Level VI • Energy Star • ErP Stage 2 • NRCan & GEMS Level VI Certified
Holdup Time	10 ms at full load
Dielectric Withstand	AC 3000 V Primary – Secondary
MTBF	300,000 calculated hours at 25 °C by telcordia SR-332

ENVIRONMENT

Temperature	Operating: 0 °C – 40 °C / Storage: -20 °C – 80 °C
Humidity	Operating: 20 % RH – 80 % RH / Storage: 10 % RH – 90 % RH

EMI Conduction & Radiation	Compliance to EN 55022 Class B
Harmonic Current	Compliance to EN 61000-3-2, -3
EMS Immunity	Compliance to IEC 61000-1-2, -3, -4, -5, -6, -8, -11
Safety	IEC / EN / UL 62368-1 • IEC / EN / UL 60950-1 • CE • RCM • PSE • BSM
Case Dimensions	168 mm × 66 mm × 39 mm
Weight	-g

8.Mechanical :

8.1 Weight : 630g Typical

8.2 Cable Type : Black UL1185 18AWG

(Wire + Plug)

Plug : $\varnothing 5.5 * \varnothing 2.1 * 11\text{mm}$

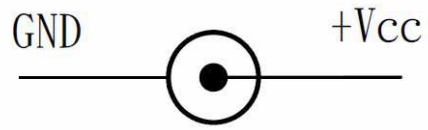
(Tuning Fork & Cannelure)

8.3 Cable Length : 1500mm

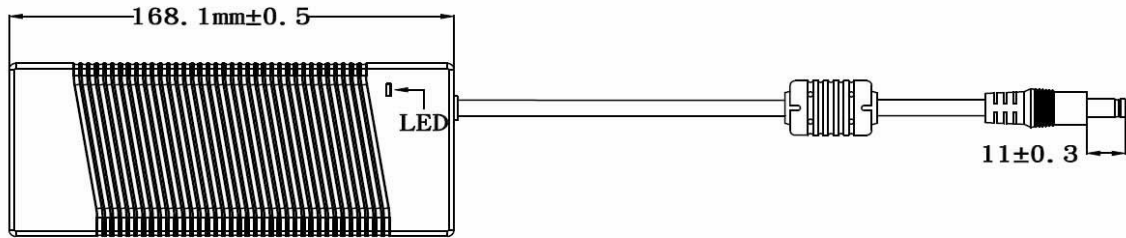
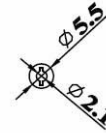
8.4 Case Dimension : 168.1mm(L)*65.9mm(W)*39mm(H)

8.5 Material Flammability : UL 94V-0

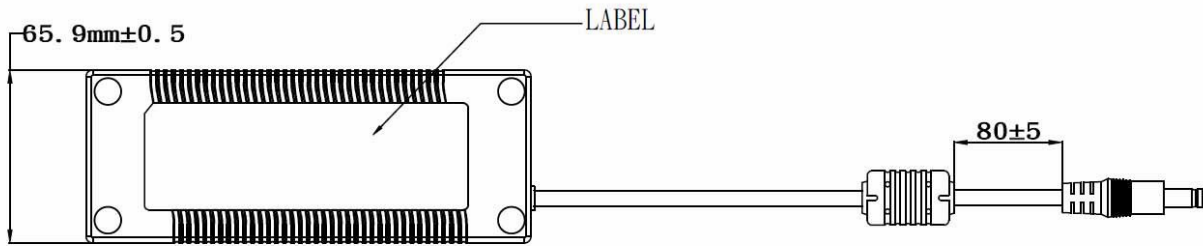
8.6 External Apperance : As drawing below (Scale \rightarrow mm)



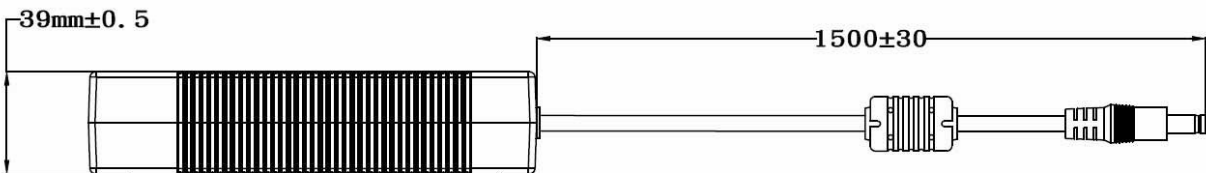
Output Cable Plug Pin Assignment



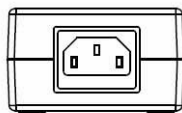
TOP-VIEW



BOTTOM-VIEW



SIDE-VIEW



FRONT-VIEW

Country of Origin : China

Efficiency level (ErP) : VI



Approvals / Marks :


Specifications

Model	Voltage DC [V]	Loading [A]	Max. Power [W]
ATS 160T-P120-T3	12	0~12.5	150
ATS 160T-P190-T3	19	0~8.4	160
ATS 160T-P240-T3	24	0~6.6	160
ATS 160T-P480-T3	48	0~3.3	160
ATS 160T-P560-T3	56	0~2.9	160

Features:

Compliant to DoE 2016 (Level VI) | ErP Stage 2, NRCan & GEMS Level VI | No Load Power Consumption < 0.1 W | Regulated Output with Low Ripple Noise | 1 Year Warranty

INPUT

Voltage	AC 100 V – 240 V
Frequency	50 Hz - 60 Hz
Current	2.2 A max.
Protection	Internal Primary Current Fuse, Inrush Limiting

OUTPUT

Load Regulation	± 5 % (typical)
Ripple	1 % – 2 % V p-p max. for output voltage at full load
Transient Response	0.5 ms for 50 % load change typical
Leakage Current	0.25 mA max.
Protection	Short circuit Protection • Over Voltage Protection • Over Current Protection

OTHERS

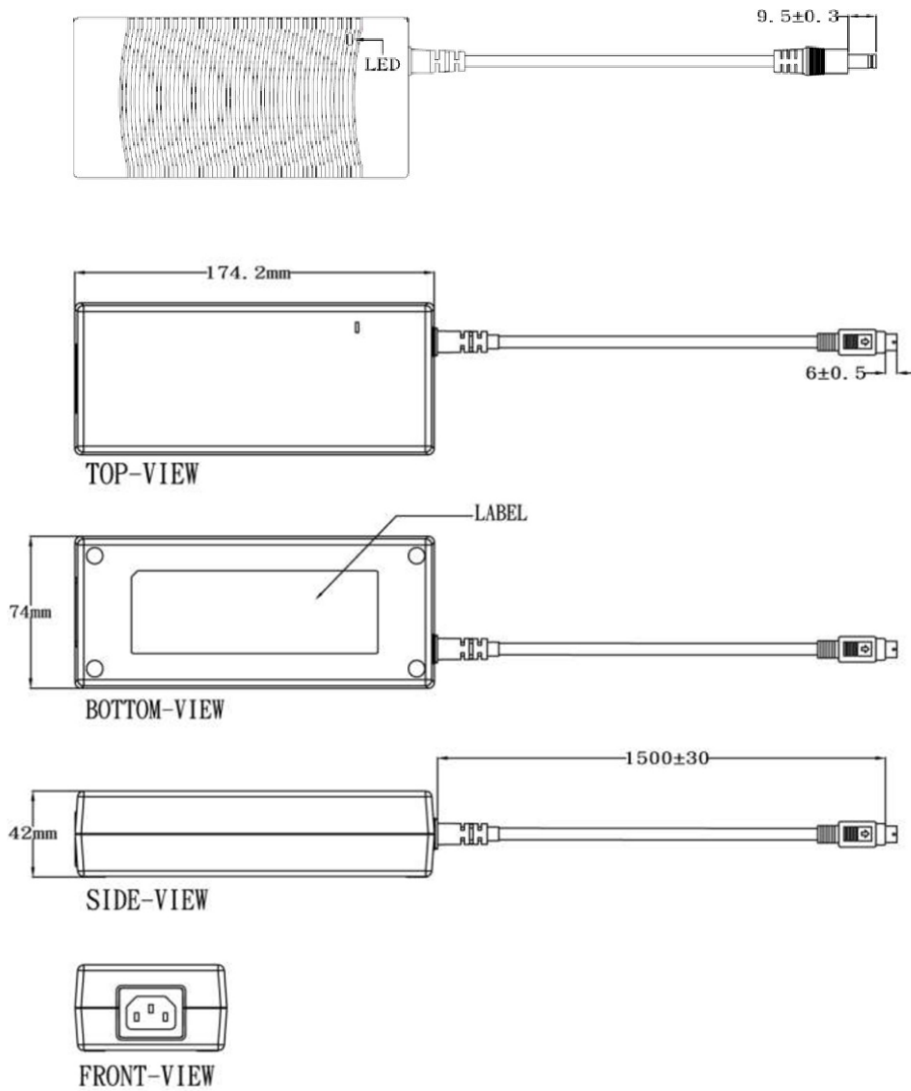
Cooling	Convection
Efficiency	DoE Level VI • Energy Star • ErP Stage 2 • NRCan & GEMS Level VI Certified
Holdup Time	10 ms at full load
Dielectric Withstand	AC 3000 V Primary – Secondary
MTBF	300,000 calculated hours at 25 °C by telcordia SR-332

ENVIRONMENT

Temperature	Operating: 0 °C – 40 °C / Storage: -20 °C – 80 °C
Humidity	Operating: 20 % RH – 80 % RH / Storage: 10 % RH – 90 % RH

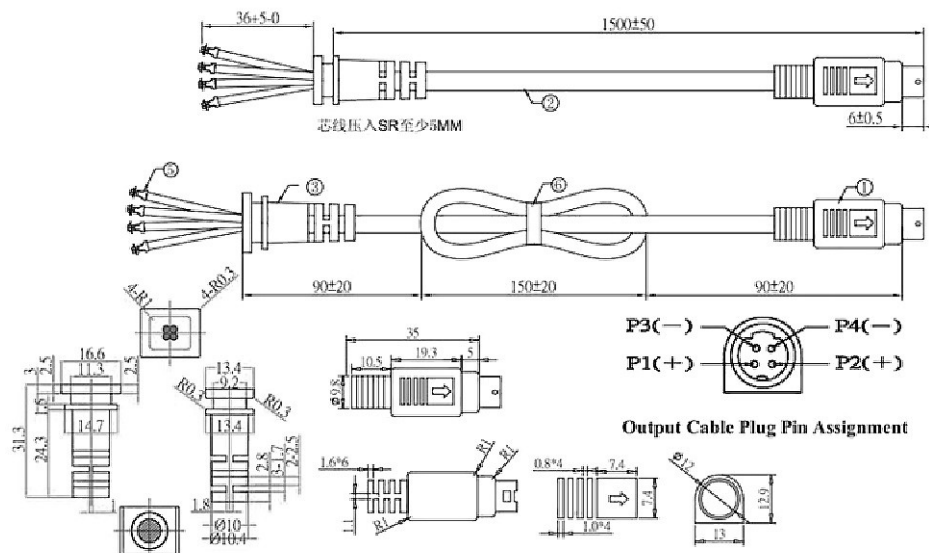
EMI Conduction & Radiation	Compliance to EN 55022 Class B
Harmonic Current	Compliance to EN 61000-3-2, -3
EMS Immunity	Compliance to IEC 61000-1-2, -3, -4, -5, -6, -8, -11
Safety	IEC / EN / UL 60950-1 • CE • RCM • PSE • BSMI (approvals may vary with input plug type)
Case Dimensions	175 mm × 74 mm × 42 mm
Weight	700 g

Mechanical case specification:



Cable specification:

P1= (+V) | P2= (+V) | P3= (-V) | P4= (-V) | SHIELD=Not Connected



Country of Origin : China

Efficiency level (ErP) : VI

Approvals / Marks :


Specifications

Model	Voltage DC [V]	Loading [A]	Max. Power [W]
ATS 200T-P120-T3	12	0~16.0	192
ATS 200T-P240-T3	24	0~8.3	200
ATS 200T-P480-T3	48	0~4.2	200

Features:

Compliant to DoE 2016 (Level VI) | ErP Stage 2, NRCan & GEMS Level VI | No Load Power Consumption < 0.1 W | Regulated Output with Low Ripple Noise | 1 Year Warranty

INPUT

Voltage	AC 100 V – 240 V
Frequency	50 Hz - 60 Hz
Current	2.8 A max.
Protection	Internal Primary Current Fuse, Inrush Limiting

OUTPUT

Load Regulation	± 5 % (typical)
Ripple	1 % – 2 % V p-p max. for output voltage at full load
Transient Response	0.5 ms for 50 % load change typical
Leakage Current	0.25 mA max.
Protection	Short circuit Protection • Over Voltage Protection • Over Current Protection

OTHERS

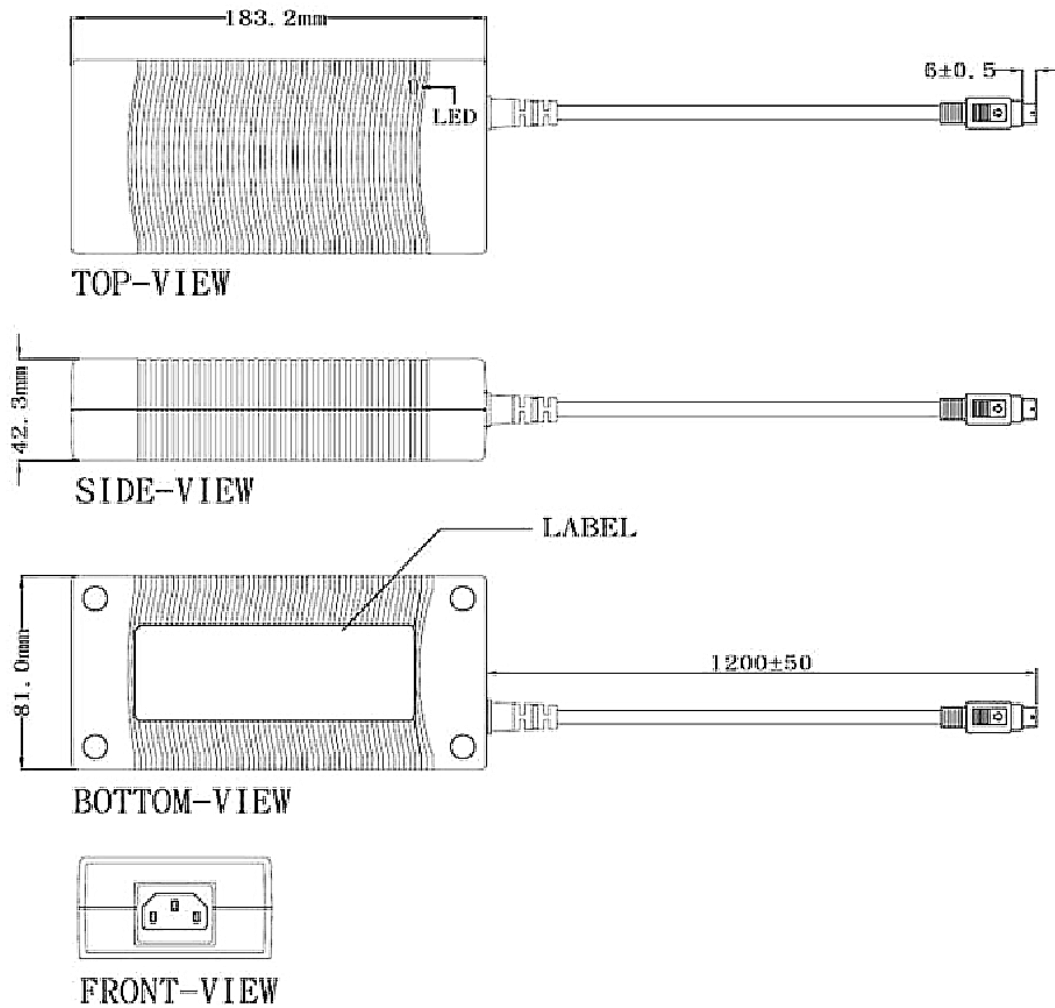
Cooling	Convection
Efficiency	DoE Level VI • Energy Star • ErP Stage 2 • NRCan & GEMS Level VI Certified
Holdup Time	10 ms at full load
Dielectric Withstand	AC 3000 V Primary – Secondary
MTBF	300,000 calculated hours at 25 °C by telcordia SR-332

ENVIRONMENT

Temperature	Operating: 0 °C – 40 °C / Storage: -20 °C – 80 °C
Humidity	Operating: 20 % RH – 80 % RH / Storage: 10 % RH – 90 % RH

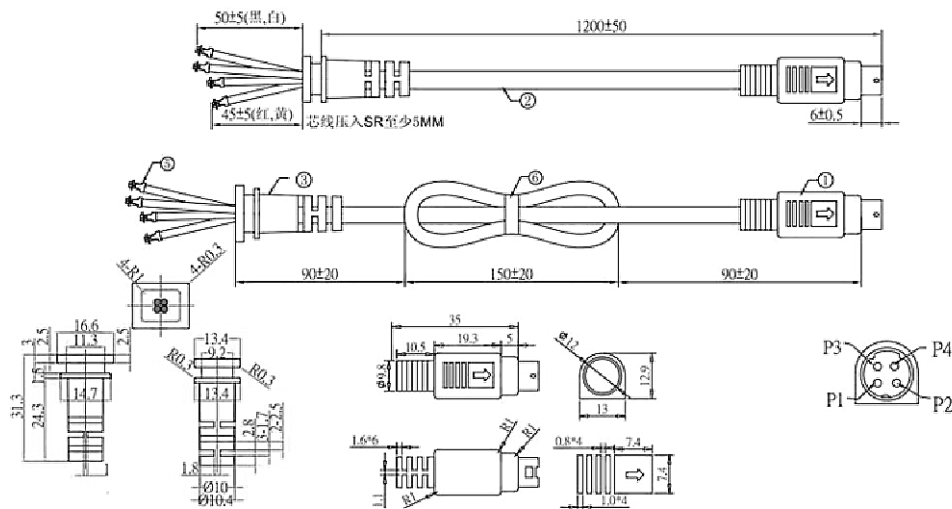
EMI Conduction & Radiation	Compliance to EN 55022 Class B
Harmonic Current	Compliance to EN 61000-3-2, -3
EMS Immunity	Compliance to IEC 61000-1-2, -3, -4, -5, -6, -8, -11
Safety	IEC / EN / UL 60950-1 • CE • PSE
Case Dimensions	183.2 mm x 81.0 mm x 42.3 mm
Weight	820 g

Mechanical case specification:

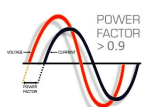


Cable specification:

P1= (+V) | P2= (+V) | P3= (-V) | P4= (-V) | SHIELD=Not Connected



Country of Origin : China
 Operating Temperature : 0~40 [°C]
 Dimension : 93.5 x 46 x 37.7 [mm]
 Certified AC Plugs: EU, UK, USA/Japan, Australia, China
 Efficiency level (ErP) :



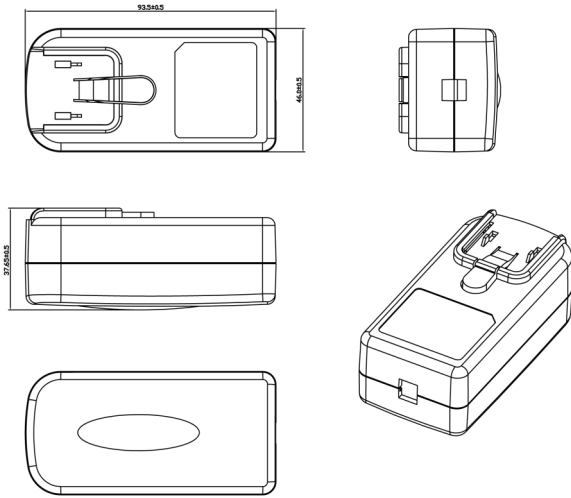
Features:

Wall-mount LED Driver with Exchangeable AC Plugs.	For LED applications use only
Wide range Input (90 ~ 264) VAC / (47 ~ 63) Hz.	RoHS conform
Customer can choose one or more certified plugs Wxx*(W2E, W2, W3U, W2A, W2C).	
Output connector: standard: 2.1 x 5.5 x 11mm or customer requirement.	

Specification:

	Model	Voltage DC [V]	Loading [A]	Line/Road regulation [%]	Over Current [A]	Over Voltage [V]	Max. Power [W]	Ripple / Noise [mV] p-p	Connector UL approved [mm]
ErP V.	SYL1460-2412-Wxx*	12	0.01~2.00	5	2.05 ~ 3.5	< 20	24	250	2.1x5.5x11
	SYL1460-2415-Wxx*	15	0.01~1.60	5	1.65 ~ 3.0	< 25	24	250	2.1x5.5x11
	SYL1460-2424-Wxx*	24	0.01~1.00	5	1.05 ~ 2.0	< 40	24	300	2.1x5.5x11
*Wxx	Possible to order with	Wxx =W2E - Europe W2 - USA,Canada W3U - UK W2A - Australia W2C - China							
INPUT	Voltage	(90 ~ 264) VAC							
	Frequency	(47 ~ 63) Hz							
	Current	0.5A rms@ AC low line input and DC output full load							
	Inrush Current (cold start)	60Amax. @ LED Driver cold start, ambient temperature 25°C @230Vac nominal AC input.							
	Leakage current	0.25 mA max.							
PROTECTION	Over Current	The LED Driver will self-protect any output to ground, And auto recovery when abnormal circuit faults remove.							
	Over Voltage	The LED Driver will not be auto recovered when faults remove							
	Short Circuit	Is defined as any output impedance of less than 0.1Ω. The LED Driver will be auto recovered when short circuit faults remove.							
OTHERS	Efficiency (typical)	≥82.1% @ full load according upon spec							
	Power factor	0.9 min At AC nominal input @ output full load							
	Standby Power	0.3W rms max. At AC nominal input @ output min load							
	Cooling	Free air convection							
	M.T.B.F.	500,000 Calculated Hours at 25°C, by Telcordia SR-332							
	HI-POT	IEC 320 2pin primary to secondary 3750Vac 10mA 1min							
ENVIRONMENT	Temperature	Operating: (0 ~ 40)°C / Storage: (-20 ~ 85)°C							
	Humidity	Operating: 8% ~ 90% RH non condensing / Storage: 5% ~ 95% RH non condensing							
CONNECTION	Input	Plugs: EU, UK, US, AUS, China (exchangeable)							
	Output	Plug standard center '+' or customer requirement // Cable length 1,8m							
SAFETY	CE MM Mark F Mark CB FCC EN61347-2-13								
CE	EMC	2014/30/EU							
	LVD	2014/35/EU EN 60950-1:2006+A11+A1+A12+A2							
WEIGHT	1pc	N.W.: 156 g/pc + plug							
PACKING	Box	0.42 x 0.38 x 0.27 [m]							G.W.: - kg/box
		63pcs / 1box – provide without plugs / plugs are separately							

Mechanical case specification:

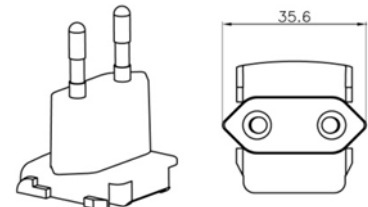
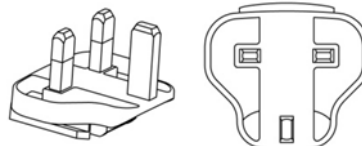
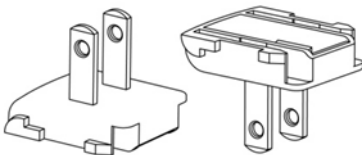


Mechanical specification (country housing):

US / Japan type (W2)

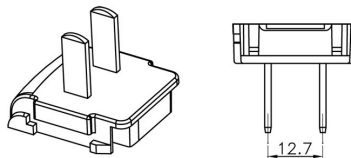
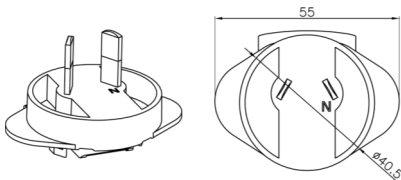
UK type (W3U)

Europe type (W2E)

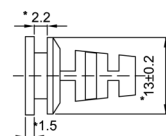
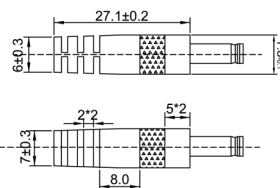
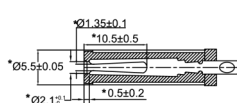
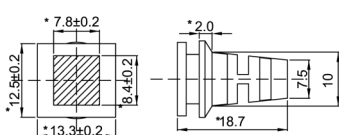
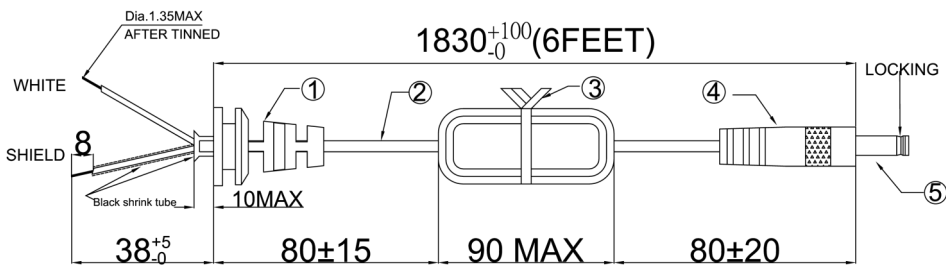


Australia type (W2A)

China type (W2C)




Cable specification:



Attention:
1. Mark "*" is the key size
2. Specification and size of the material of line
3. Wiring way

5	FEMALE BARREL/SPRING LOADED/ LOCKING/ YELLOW	1 PC	2.1(+0.1/-0)*5.5(+/-0.05) *11(+/-0.3)
4	PLUG P073	1 PC	
3	MINI TIE=130mm BLACK	1 PC	
2	CORD MATERIAL:1185#20*1C+SHIELD PVC. BLACK 80°C	1 PC	UL APPROVAL
1	SR18	1 PC	

* WHITE(+V) — ○ — SHIELD(-V)

Country of Origin : China
 Operating Temperature : 0~40 [°C]
 Dimension : 62 x 27 x 27 [mm]
 Car adapter : DC-DC convertor
 Approvals / Marks : 



Truck 24 V



Car 12 V



Features:

Car adapter for notebook can be used in cars and trucks (12V or 24V cigarette plug).

Output current & output voltage protection.

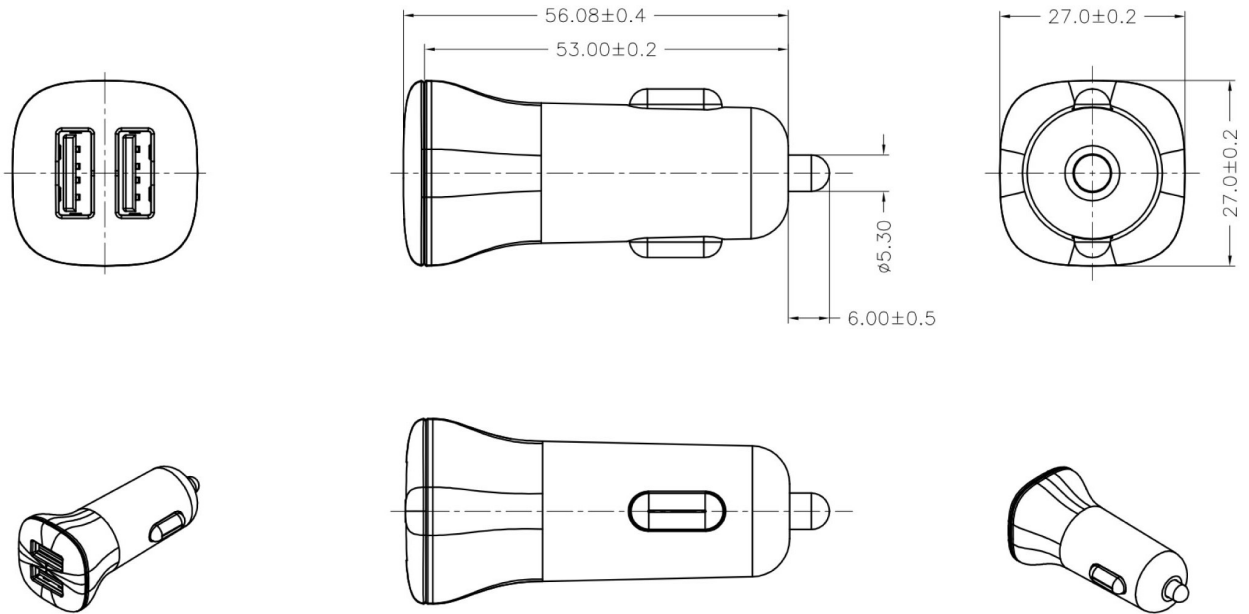
Input range (10 ~ 30)VDC. Power ON – Green LED.

For I.T.E. use only + RoHS conform. | For iPhone / iPad and other

Specification:

ErP V.	Model	Voltage DC [V]	min. Load [A]	max. Load [A]	Efficiency [%]	OCP [A]	Max. Power [W]	Ripple & Noise [mV]p-p max.	Connector [mm]
	RY-CC24U2 (Dual Car Charger 1205)	5.0	0	2.4	75	2.7-4.0	12	<200	USB inlet
(*)	Depends on customer request if USB inlet or DC cable with DC UL approved connector								
INPUT	Voltage	(10 ~ 30)VDC							
	Input Current	1.8 A rms max At low line input and DC output full load							
	Load regulation	±5%							
	Power Efficiency	75% typical At nominal input@ output full load							
	Input Fuse	T2AL/250V Fuse							
OUTPUT	DC cable & connector	-							
	Burn in test	2 Hours Full Load							
	Turn on delay	1000ms max At low line input@output full load							
	Power ON Led	Yes (Green – Power ON @ adapter)							
PROTECTION	Input	Fuse 3.15A The power supply shall be protected against power line surges and any abnormal condition.							
	Short Circuit	The power supply shall be protected from damage of accidentally when the I/P voltage is between 11Vdc and 32Vdc.the O/P short protection could be protected forever .input power do not Exceed 5W when output is shorted.							
	Over Current	Removal of an output overload conditions shall permit automatic recovery of the output voltage.							
	Over Voltage	Yes, Voltage limit, OVP range = 7.5V max							
ENVIRONMENT	Cooling	By nature air.							
	Temperature	Operating: (0 ~ 40)°C / Storage: (-20 ~ 85)°C							
	Humidity	Operating: (8 ~ 90)% RH / Storage: (5 ~ 95)% RH							
OTHERS	Case material	-							
	M.T.B.F.	500,000 Calculated Hours at 25°C, by Telcordia SR-332							
SAFETY	CE								
CE	EMC	2014/30/EU EN 50498:2010							
WEIGHT	1pc	N.W.: 18g / pc							
		0.392 x 0.392 x 0.257[m]							
PACKING	Box	500pcs / 1box							
		G.W.: 11.1 kg / box							

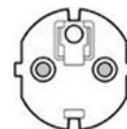
Mechanical case specification:



IEC320-C5 (EU)

Country of Origin: China
 RoHS: yes
 Application: For Class I. Appliances
 Approvals: CEBEC, KEMA, NF, OVE, VDE, IMQ, FI, S, D, N, ENEC, KC

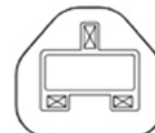
Length/cord	1.8m / 3x0.75mm ²	
Plug	SP-022 16A/250V	
Connector	IS-034 2,5A/250V	
Rating	300/500V 70°C	
Flex cord	H05VV-F	
WEIGHT / PACKING	1pc	N.W.: 180 g / pc
	BOX	100 pcs / 1box
		G.W.: 18,4 kg / box
		0.55x0.36x0.20 [m]



IEC320-C5 (UK)

Country of Origin: China
 RoHS: yes
 Application: For Class I. Appliances
 Approvals: ASTA, ENEC

Length/cord	1.8m / 3x0.75mm ²	
Plug	SP-62 13A/250V	
Connector	IS-034 2,5A/250V	
Fuse	13A	
Rating	300/500V 70°C	
Flex cord	H05VV-F	
WEIGHT / PACKING	1pc	N.W.: 204 g / pc
	BOX	75 pcs / 1box
		G.W.: 15,8 kg / box
		0.55x0.36x0.20 [m]



IEC320-C5 (UL)

Country of Origin: China
 RoHS: yes
 Application: For Class I. Appliances
 Approvals: UL, CSA

Length/cord	1.8m / 3x0.75mm ²	
Plug	SP-305B 7A/125V	
Connector	IS-034 7A/125V	
Rating	300V 60°C	
Flex cord	SVT	
WEIGHT / PACKING	1pc	N.W.: 103 g / pc
	BOX	125 pcs / 1box
		G.W.: 18,9 kg / box
		0.55x0.36x0.20 [m]



IEC320-C7 (EU)

Country of Origin China
 RoHS yes
 Application For Class II. Appliances
 Approvals ENEC

Length/cord	1.8m / 2x0.75mm ²	
Plug	SP-021A 2,5A/250V	
Connector	IS-033 2,5A/250V	
Rating	300/300V 70°C	
Flex cord	H03VVH2-F	
WEIGHT / PACKING	1pc	N.W.: 82 g / pc
	BOX	200 pcs / 1box
		G.W.: 17,3 kg / box
		0.55x0.36x0.20 [m]


IEC320-C7 (UK)

Country of Origin China
 RoHS yes
 Application For Class II. Appliances
 Approvals ASTA, Singapore, ENEC

Length/cord	1.8m / 2x0.75mm ²	
Plug	SP-62 5A/250V	
Connector	IS-033 2,5A/250V	
Fuse	5A	
Rating	300/300V 70°C	
Flex cord	H03VVH2-F	
WEIGHT / PACKING	1pc	N.W.: 146 g / pc
	BOX	100 pcs / 1box
		G.W.: 14,6 kg / box
		0.55x0.36x0.20 [m]


IEC320-C7 (UL)

Country of Origin China
 RoHS yes
 Application For Class II. Appliances
 Approvals UL, CSA

Length/cord	1.8m / 2x0.75mm ²	
Plug	SP-12N 7A/125V	
Connector	IS-033 7A/125V	
Rating	300V 105°C	
Flex cord	SPT-1	
WEIGHT / PACKING	1pc	N.W.: 71 g / pc
	BOX	200 pcs / 1box
		G.W.: 14,7 kg / box
		0.55x0.36x0.20 [m]



IEC320-C7 (Aus)

Country of Origin China
 RoHS yes
 Application For Class II. Appliances
 Approvals SAA

Length/cord		1.8m / 2x0.75mm ²
Plug		SP-501A 7,5A/250V
Connector		IS-033 2,5A/250V
Rating		300/300V 70°C
Flex cord		H03VVH2-F
WEIGHT / PACKING	1pc	N.W.: 92 g / pc
	BOX	125 pcs / 1box
		G.W.: 12,4 kg / box
		0.55x0.36x0.20 [m]


IEC320-C7 (Japan)

Country of Origin China
 RoHS yes
 Application For Class II. Appliances
 Approvals PSE

Length/cord		1.8m / 2x0.75mm ²
Plug		SP-18B 7A/125V
Connector		IS-033C 7A/125V
Rating		300V 60°C
Flex cord		VCTFK
WEIGHT / PACKING	1pc	N.W.: 104 g / pc
	BOX	150 pcs / 1box
		G.W.: 16,3 kg / box
		0.55x0.36x0.20 [m]



IEC320-C13 (EU)

Country of Origin: China
 RoHS: yes
 Application: For Class I. Appliances
 Approvals: CEBC, KEMA, NF, OVE, VDE, IMQ, FI, S, D, N, ENEC, KC

Length/cord		1.8m / 3x0.75mm ²
Plug		SP-022 16A/250V
Connector		IS-14 10A/250V
Rating		300/500V 70°C
Flex cord		H05VV-F
WEIGHT / PACKING	1pc	N.W.: 192 g / pc
	BOX	100 pcs / 1box
		G.W.: 18,9 kg / box
		0.55x0.36x0.20 [m]



IEC320-C13 (UK)

Country of Origin: China
 RoHS: yes
 Application: For Class I. Appliances
 Approvals: ASTA, Singapore, ENEC

Length/cord		1.8m / 3x0.75mm ²
Plug		SP-62 5A/250V
Connector		IS-14 10A/250V
Fuse		5A
Rating		300/500V 70°C
Flex cord		H05VV-F
WEIGHT / PACKING	1pc	N.W.: 202 g / pc
	BOX	75 pcs / 1box
		G.W.: 15,9 kg / box
		0.55x0.36x0.20 [m]



IEC320-C13 (UL)

Country of Origin: China
 RoHS: yes
 Application: For Class I. Appliances
 Approvals: UL, CSA

Length/cord		1.8m / 3x0.75mm ²
Plug		SP-305B 10A/125V
Connector		IS-14 10A/125V
Rating		300V 105°C
Flex cord		SVT
WEIGHT / PACKING	1pc	N.W.: 149 g / pc
	BOX	125 pcs / 1box
		G.W.: 20,2 kg / box
		0.55x0.36x0.20 [m]



IEC320-C13 (Aus)

Country of Origin China
 RoHS yes
 Application For Class I. Appliances
 Approvals SAA

Length/cord	1.8m / 3x0.75mm ²	
Plug	SP-502B 10A/250V	
Connector	IS-14 10A/250V	
Rating	250/440V 75°C	
Flex cord	H05VV-F	
WEIGHT / PACKING	1pc	N.W.: 197 g / pc
	BOX	90 pcs / 1box
		G.W.: 17,6 kg / box
		0.55x0.36x0.20 [m]


IEC320-C13 (Brazil)

Country of Origin China
 RoHS yes
 Application For Class I. Appliances
 Approvals Inmetro, ENEC

Length/cord	1.8m / 3x0.75mm ²	
Plug	SP27A 10A/250V	
Connector	IS-14 10A/250V	
Rating	300/500V 70°C	
Flex cord	H05VV-F	
WEIGHT / PACKING	1pc	N.W.: 158 g / pc
	BOX	120 pcs / 1box
		G.W.: 18,8 kg / box
		0.55x0.36x0.20 [m]


IEC320-C13 (Swiss)

Country of Origin China
 RoHS yes
 Application For Class I. Appliances
 Approvals +S, ENEC

Length/cord	1.8m / 3x0.75mm ²	
Plug	SP-027C 10A/250V	
Connector	IS-14 10A/250V	
Rating	300/500V 70°C	
Flex cord	H05VV-F	
WEIGHT / PACKING	1pc	N.W.: 169 g / pc
	BOX	100 pcs / 1box
		G.W.: 17,4 kg / box
		0.55x0.36x0.20 [m]



IEC320-C13 (C)

Country of Origin	China
RoHS	yes
Application	For Class I. Appliances
Approvals	CCC

Length/cord		1.8m / 3x0.75mm ²
Plug		SP-506A 10A/250V
Connector		IS-14 10A/250V
Rating		300/500V 70°C
Flex cord		RVV
WEIGHT / PACKING	1pc	N.W.: 182 g / pc
	BOX	100 pcs / 1box
		G.W.: 19,3 kg / box
		0.55x0.36x0.20 [m]


IEC320-C13 (AG)

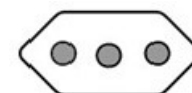
Country of Origin	China
RoHS	yes
Application	For Class I. Appliances
Approvals	IRAM, ENEC

Length/cord		1.8m / 3x0.75mm ²
Plug		SP-852 10A/250V
Connector		IS-14 10A/250V
Rating		300/500V 70°C
Flex cord		H05VV-F
WEIGHT / PACKING	1pc	N.W.: 179 g / pc
	BOX	100 pcs / 1box
		G.W.: 18,6 kg / box
		0.55x0.36x0.20 [m]


IEC320-C13 (Italy)

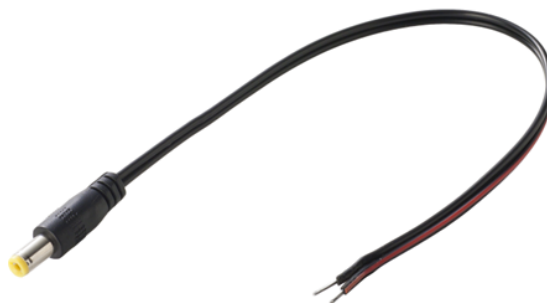
Country of Origin	China
RoHS	yes
Application	For Class I. Appliances
Approvals	IMQ, D, CEBEC, S FI, N, IMQ, NF, OVE, KEMA, +S, VDE

Length/cord		1.8m / 3x0.75mm ²
Plug		SP-028 10A/250V
Connector		IS-14 10A/250V
Rating		300/500V 70°C
Flex cord		H05VV-F
WEIGHT / PACKING	1pc	N.W.: 158 g / pc
	BOX	100 pcs / 1box
		G.W.: 16,9 kg / box
		0.55x0.36x0.20 [m]



Extension Cable Plug 20cm

Country of Origin : China
 Operating Temperature : 0 ÷ 40[°C]
 Cable type : 20AWG - 2wc
 DC Connector : 2.1x5.5x11 with center springs
 2.5x5.5x11 with center springs
 Max. load 5A



WEIGHT	1pc	N.W.: 6g / pc
PACKING	Bunch	50pcs / 1bunch
		G.W.: 0.3 kg / bunch

Extension cable Plug 80cm

Country of Origin : China
 Operating Temperature : 0 ÷ 40[°C]
 Cable type : 20AWG - 2wc
 DC Connector : 2.1x5.5x11 with center springs
 2.5x5.5x11 with center springs
 Max. load 5A



WEIGHT	1pc	N.W.: 16g / pc
PACKING	Bunch	20pcs / 1bunch
		G.W.: 0.32 kg / bunch

Extension cable Plug 1.5m

Country of Origin : China
 Operating Temperature : 0 ÷ 40[°C]
 Cable type : 20AWG - 2wc
 DC Connector : 2.1x5.5x11 with center springs
 Max. load 5A



WEIGHT	1pc	N.W.: 27g / pc
PACKING	Bunch	10pcs / 1bunch
		G.W.: 0.27 kg / bunch

Extension cable Plug 3.0m

Country of Origin : China
 Operating Temperature : 0 ÷ 70[°C]
 Cable type : 20AWG - 3.9/2RC
 DC Connector : 2.1x5.5x11 with center springs
 Max. load 5A



WEIGHT	1pc	N.W.: 81g / pc
PACKING	Box	5pcs / 1bunch
		G.W.: 0.41 kg / bunch

Extension Cable Plug 4.0m

Country of Origin :	China
Operating Temperature :	0 ÷ 70[°C]
Cable type :	20AWG - 3.9/2RC
DC Connector	2.1x5.5x11 with center springs
Max. load	5A

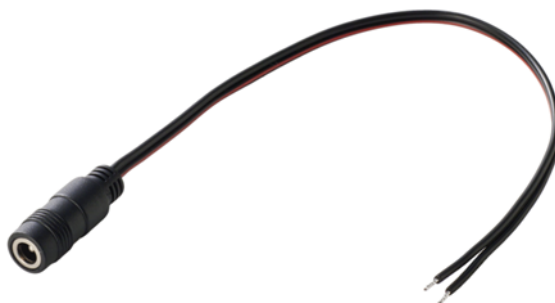
WEIGHT	1pc	N.W.: 105g / pc
PACKING	Box	5pcs / 1bunch
		G.W.: 0.53 kg / bunch



Extension Cable Jack 0.2m

Country of Origin : China
 Operating Temperature : 0 ÷ 40[°C]
 Cable type : 20AWG - 2wc
 DC Connector : 2.1x5.5x11
 2.5x5.5x11
 Max. load 5A

WEIGHT	1pc	N.W.: 10g / pc
PACKING	Bunch	50pcs / 1bunch
		G.W.: 0.5 kg / bunch



Extension cable Jack 0.8m

Country of Origin : China
 Operating Temperature : 0 ÷ 40[°C]
 Cable type : 20AWG - 2wc
 DC Connector : 2.1x5.5x11
 Max. load 5A

WEIGHT	1pc	N.W.: 19g / pc
PACKING	Bunch	100pcs / 1bunch
		G.W.: 1.9kg / bunch



Extension Cable Jack 2.0m

Country of Origin : China
 Operating Temperature : 0 ÷ 70[°C]
 Cable type : 20AWG - 2RC
 DC Connector : 2.1x5.5x11
 Max. load 5A

WEIGHT	1pc	N.W.: 57g pc
PACKING	Bunch	60pcs / 1bunch
		G.W.: 3.5 kg / bunch



Extension cable Jack 4.0m

Country of Origin : China
 Operating Temperature : 0 ÷ 70[°C]
 Cable type : 20AWG - 2RC
 DC Connector : 2.1x5.5x11
 Max. load 5A

WEIGHT	1pc	N.W.: 112g / pc
PACKING	Bunch	5pcs / 1bunch
		G.W.: 0.56 kg / bunch



Extension Cable Jack to Plug 1.5m

Country of Origin : China
 Operating Temperature : 0 ÷ 70[°C]
 Cable type : 20AWG - 2RC
 Maximum Load: 5A max.
 DC Connector types: Plug 2.1x5.5x11 with center springs & Jack 2.1x5.5x11



WEIGHT	1pc	N.W.: 49g / pc
PACKING	Bunch	10 [pcs]
		G.W.: 0.490 [kg]

Extension Cable Jack to Plug 4.0m

Country of Origin : China
 Operating Temperature : 0 ÷ 70[°C]
 Cable type : 20AWG - 2RC
 Maximum Load: 5A max.
 DC Connector types: Plug 2.1x5.5x11 with center springs & Jack 2.1x5.5x11



WEIGHT	1pc	N.W.: 112g / pc
PACKING	Bunch	5 [pcs]
		G.W.: 0.560 [kg]

Extension Cable Plug to Plug 0.5m

Country of Origin : China
 Operating Temperature : 0 ÷ 70[°C]
 Cable type : 20AWG - RC
 Maximum Load: 5A max.
 DC Connector types: Plug 2.1x5.5x11 with center springs



WEIGHT	1pc	N.W.: 21g / pc
PACKING	Bunch	150 [pcs]
		G.W.: 3.150 [kg]

Extension Cable Plug to Plug 1m

Country of Origin : China
 Operating Temperature : 0 ÷ 70[°C]
 Length / cable type : 20AWG - RC
 Maximum Load: 5A max.
 DC Connector types: Plug 2.1x5.5x11 with center springs



WEIGHT	1pc	N.W.: 34g / pc
PACKING	Bunch	20 [pcs]
		G.W.: 0.680 [kg]



Extension Cable Jack 80cm switch

Switch material: RoHS PC UL94V-2
 Operating Temperature : 0 ÷ 80[°C]
 Length / cable type : 0.8m / 20AWG - 2468
 Max. load: 5A
 DC Connector : 2.1x5.5x11



WEIGHT	1pc	N.W.: 36g / pc
PACKING	Bunch	80pcs / 1bunch
		G.W.: 2,9 kg / bunch

Extension Cable USB to micro USB 1,4m

Country of Origin : China
 Operating Temperature : 0 ÷ 80[°C]
 Length / cable type : 1.4m / 20AWG – round cable
 Maximum Load: 3A
 DC Connector types: USB & micro USB



WEIGHT	1pc	N.W.: 37g / pc
PACKING	Bunch	Various [pcs] 10
		G.W.: 0.370 [kg]

Extension Cable USB to mini USB 1,4m

Country of Origin : China
 Operating Temperature : 0 ÷ 80[°C]
 Length / cable type : 1,4m / 20AWG – round cable
 Maximum Load: 3A
 DC Connector types: USB & mini USB



WEIGHT	1pc	N.W.: 36g / pc
PACKING	Bunch	Various [pcs] 10
		G.W.: 0.360 [kg]

Extension cable USB to Plug 1,5m

Country of Origin : China
 Operating Temperature : 0 ÷ 80[°C]
 Length / cable type : 1.5 m / 20AWG – round cable
 Maximum Load: 5A
 DC Connector USB & 1.3x3.5x11 with center springs
 USB & 2.1x5.5x11 with center springs



WEIGHT	1pc	N.W.: 50g / pc
PACKING	Bunch	Various [pcs] 10
		G.W.: 0.5 [kg]

Extension cable USB-A to USB-C 1,0m (white) & 1,5m (black)

Country of Origin : China
 Operating Temperature : 0 ÷ 80[°C]
 Length / cable type : 1.0 m / AWM 20276
 SUPER HIGH SPEED
 Maximum Load: 5A
 DC Connector USB-A & USB-C



WEIGHT	1pc	N.W.: 33g / 48g / pc
PACKING	Bunch	Various [pcs] 10
		G.W.: 0.3 / 0.5 [kg]

Extension Cable USB-C to USB-C 1,0m & 1,5m

Country of Origin :	China
Operating Temperature :	0 ÷ 80[°C]
Length / cable type :	1.0m / AWM 2725 SUPER HIGH SPEED
Maximum Load:	5A
DC Connector types:	USB-C & USB-C

WEIGHT	1pc	N.W.: 35g / 57g / pc
PACKING	Bunch	Various [pcs] 10
		G.W.: 0.35 / 0.57 [kg]



Cable Splitter 1 Jack to 3 Plugs

Country of Origin : China

Applications: CCTV video extension cable,
DC power splitter,
and all CCTV accessories.

Cable type : 20AWG VW-1 2464 round cable
(Jack 2.1x5.5x11 to 3 Plugs 2.1x5.5x11)

DC Connector : 0.1m + 3x0.2m

Max. Load : 5A



WEIGHT	1pc	N.W.: 44g / pc
PACKING	Plastic bag	50pcs
		G.W.: 2.2kg

Cable Splitter 1 Jack to 5 Plugs

Country of Origin : China

Applications: CCTV video extension cable,
DC power splitter,
and all CCTV accessories.

Cable type : 20AWG VW-1 2464 round cable
(Jack 2.1x5.5x11 to 5 Plugs 2.1x5.5x11)

DC Connector : 0.1m + 5x0.2m

Max. Load : 5A



WEIGHT	1pc	N.W.: 62g / pc
PACKING	Plastic bag	50pcs
		G.W.: 3.1kg

Cable Splitter CHAIN 5

Country of Origin :	China
Applications:	CCTV video extension cable, DC power splitter, and all CCTV accessories.
Cable type :	22AWG VW-1 2464 round cable
DC Connector :	(Jack 2.1x5.5x11 to 5 Plugs 2.1x5.5x11) 5x0.18m
Max. Load :	5A



WEIGHT	1pc	N.W.: 54g / pc
PACKING	Plastic bag	100pcs
		G.W.: 5.4kg

Max loading current for all reductions is 5.4A

Reduction 2.1x5.5 Jack to 1.1x2.3 Plug (S)

Center springs : No		
WEIGHT	1pc	N.W.: 4.0g / pc
PACKING	Plastic bag	100pcs
		G.W.: 0.400 kg



Reduction 2.1x5.5 Jack to 1.1x3.0 Plug (S)

Center springs : No		
WEIGHT	1pc	N.W.: 4.0g / pc
PACKING	Plastic bag	100pcs
		G.W.: 0.400 kg



Reduction 2.1x5.5 Jack to 1.1x3.5 Plug (S)

Center springs : No		
WEIGHT	1pc	N.W.: 4.0g / pc
PACKING	Plastic bag	100pcs
		G.W.: 0.400kg



Reduction 2.1x5.5 Jack to 1.3x3.5 Plug (S)

Center springs : No		
WEIGHT	1pc	N.W.: 4.9g / pc
PACKING	Plastic bag	100pcs
		G.W.: 0.488 kg



Reduction 2.1x5.5 Jack to 1.5x5.5 Plug (S)

Center springs : No		
WEIGHT	1pc	N.W.: 5.3g / pc
PACKING	Plastic bag	100pcs
		G.W.: 0.537 kg



Reduction 2.1x5.5 Jack to 1.7x4.0 Plug (S)

Center springs : Yes		
WEIGHT	1pc	N.W.: 4.9g / pc
PACKING	Plastic bag	100pcs
		G.W.: 0.493 kg



Reduction 2.1x5.5 Jack to 1.7x4.8Plug (S)

Center springs : Yes		
WEIGHT	1pc	N.W.: 5.2g / pc
PACKING	Plastic bag	100pcs
		G.W.: 0.516 kg



Reduction 2.1x5.5 Jack to 1.7x5.5 Plug (S)

Center springs : Yes		
WEIGHT	1pc	N.W.: 5.4g / pc
PACKING	Plastic bag	100pcs
		G.W.: 0.536 kg



Reduction 2.1x5.5 Jack to 2.1x5.5 Plug (L) 90°

Center springs : Yes		
WEIGHT	1pc	N.W.: 6.1g / pc
PACKING	Plastic bag	100pcs
		G.W.: 0.613 kg



Reduction 2.1x5.5 Jack to 2.5x5.5 Plug (S)

Center springs : Yes		
WEIGHT	1pc	N.W.: 6g / pc
PACKING	Plastic bag	100pcs
		G.W.: 0.601 kg



Reduction 2.1x5.5 Jack to 2.5x5.5 Plug (L)

Center springs : Yes		
WEIGHT	1pc	N.W.: 6.1g / pc
PACKING	Plastic bag	100pcs
		G.W.: 0.613 kg

