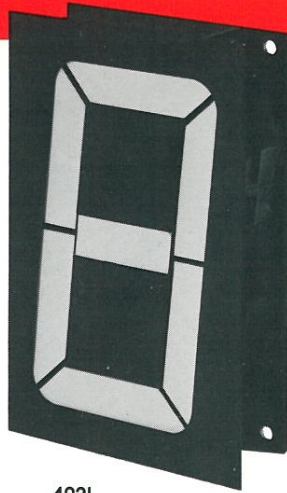


# SIGNALEX® 7-SEG

**ENERGY-SAVING:** Electromagnetically-operated Signalex displays require no power to maintain continuous indication. Inherently bi-stable, Signalex displays draw power only at the instant of change.

**INHERENT MEMORY:** Indication is maintained even with loss of power.

**DIRECT ACCESS:** Signalex displays can change from one number to any other—without a run-through of numbers. The unit immediately displays the transmitted number.



402L

**LOW MAINTENANCE:** The rugged Signalex design assures long life and dependability. With no bulbs to replace, they are virtually maintenance-free.

**HIGH-VISIBILITY:** Signalex displays can be used indoors and out, in temperatures ranging from -40°C to +75°C. Their light-reflecting segments give high visibility in bright ambient light.

## 7 SEGMENT MODELS

DISPLAY SIZES	4"	6"
SIGNALEX MODEL	402L	602L
Character Size H x W	4-1/16" x 2-5/16" (103 x 59 mm)	6-1/16" x 3-9/16" (154 x 91 mm)
Vane Width	7/16" (11 mm)	11/16" (17 mm)
Frame Size H x W	5" x 3-1/4" (127 x 83 mm)	7-1/4" x 5-1/8" (184 x 130 mm)
Pulse Length, @ 12VDC	50 ms	90 ms
Pulse Power, Each Vane	0.93 W	1.4 W
DC Resistance Center to Each Side	150 ohms	102 ohms
Viewing Dist., max	160 Feet (50 Meters)	240 Feet (75 Meters)
Weight	10.9 oz. 310 gm.	1 lb. 2 oz. 520 gm.

# SCORETRONICS

ScoreTronics is now the producer of the 4" and 6" sizes of the original Staver Signalex flip digits, with lower prices and reliable deliveries.

[www.ScoreTronics.com/components](http://www.ScoreTronics.com/components)

**Operation:** Individually controlled segments, pulse-operated through a bi-stable magnetic circuit.

**Voltage:** 12VDC ±10% standard. Other voltages available.

**Coils:** Standard is bifilar wound with 3 leads per segment. Model 152L has terminal pins for direct PCB mounting.

**Temperature:** -40°C to +75°C.

**Relative Humidity:** Up to 95% R.H. at any temperature in the range, provided no condensation present.

**Power to Maintain Display:** NONE.

**Vane Colors:** White, Saturn-Yellow, Orange-Red Fluorescents. Black background standard. Other high-visibility colors available.

**Maximum Coil Temperature:** +105°C



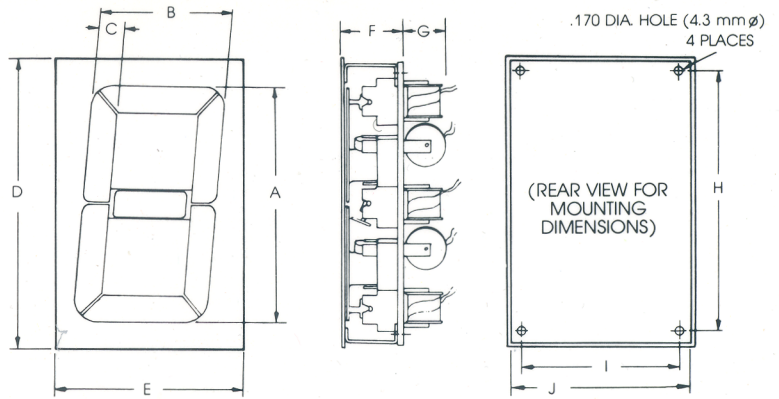
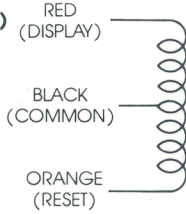
4 in. & 6 in.  
100 mm & 150 mm

# 402L AND 602L SERIES

The Signalex 402L is widely used in clocks, electronic games, toll booths, bus route indicators,...and industrial applications. The 602L is particularly applicable for viewing distances of over 100 ft. (30 meters), such as in sports timers, small scoreboards, and outdoor signs. See Page 2 for electrical specifications.

**Coil Connection (402L & larger)**  
(7 coils per digit)

With black lead connected to (-),  
(+) on red lead displays white.  
(+) on orange lead resets to black.  
With black lead connected to (+),  
(-) on orange lead displays white.  
(-) on red lead resets to black.



(in.) Dim.	A	B	C	D	E	F	G	H	I	J
<b>Model 402L</b>	4-1/16	2-5/16	7/16	5	3-1/4	1-1/16	3/4	4-1/2	2-5/8	3-1/8
<b>Model 602L</b>	6-1/16	3-9/16	11/16	7-1/4	5-1/8	1-5/16	3/4	6-1/2	4-1/2	5

(mm) Dim.	A	B	C	D	E	F	G	H	I	J
<b>Model 402L</b>	103	59	11	127	83	27	19	114	67	79
<b>Model 602L</b>	154	90	17	184	131	33	19	165	114	127