

# 产品选型手册

Product selection guide



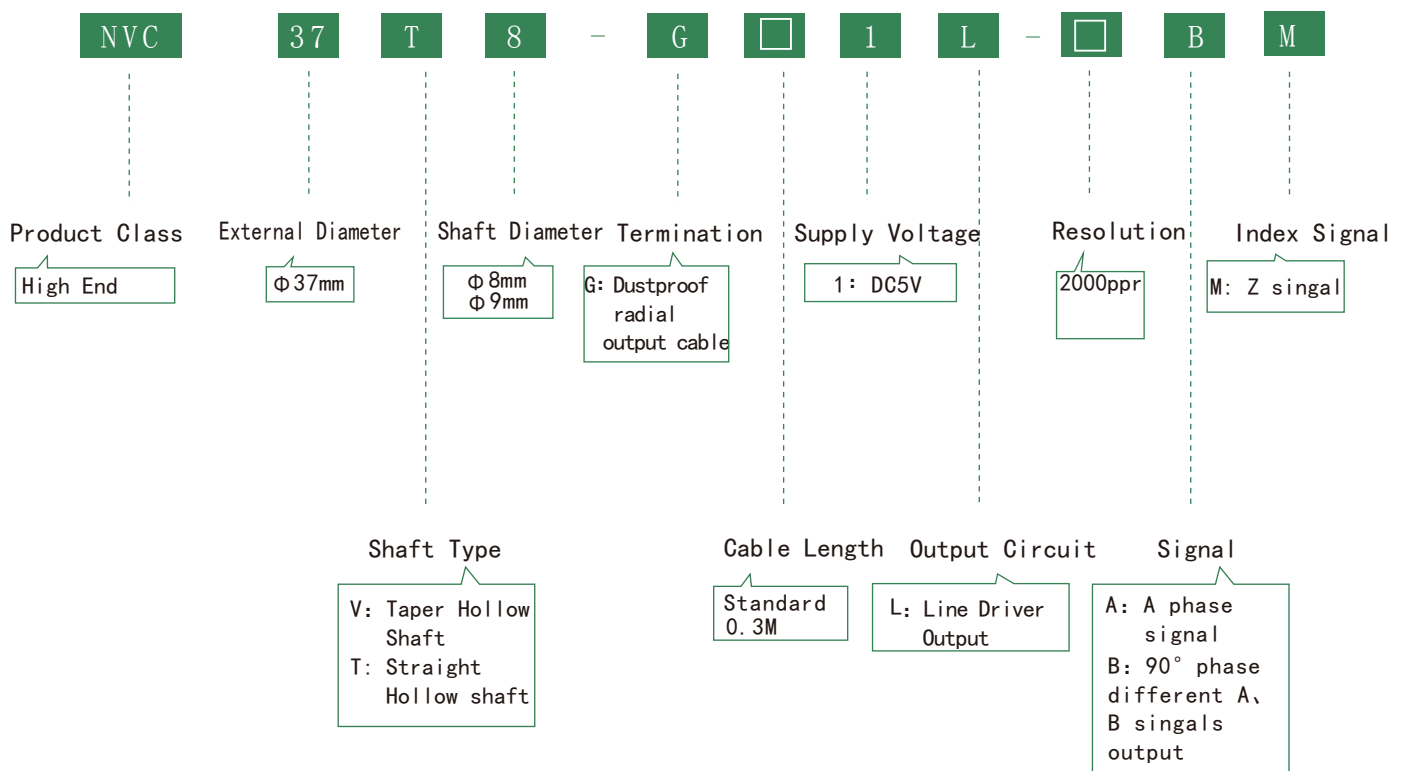
NVC 37 • Series

# Applications & Features



Compact, slim design, high-precision, resolutions up to 2500ppr. Straight and taper shaft are optional. Import optoelectronic components, high anti-interference ability.

## Part Number

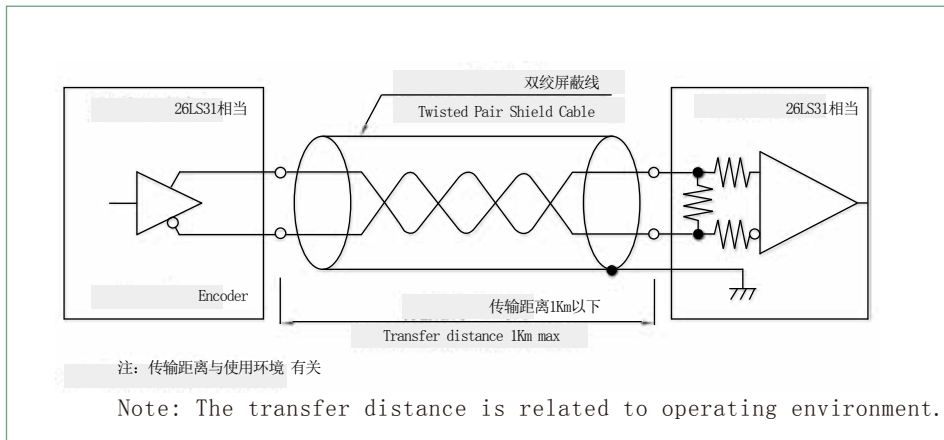


## Specifications

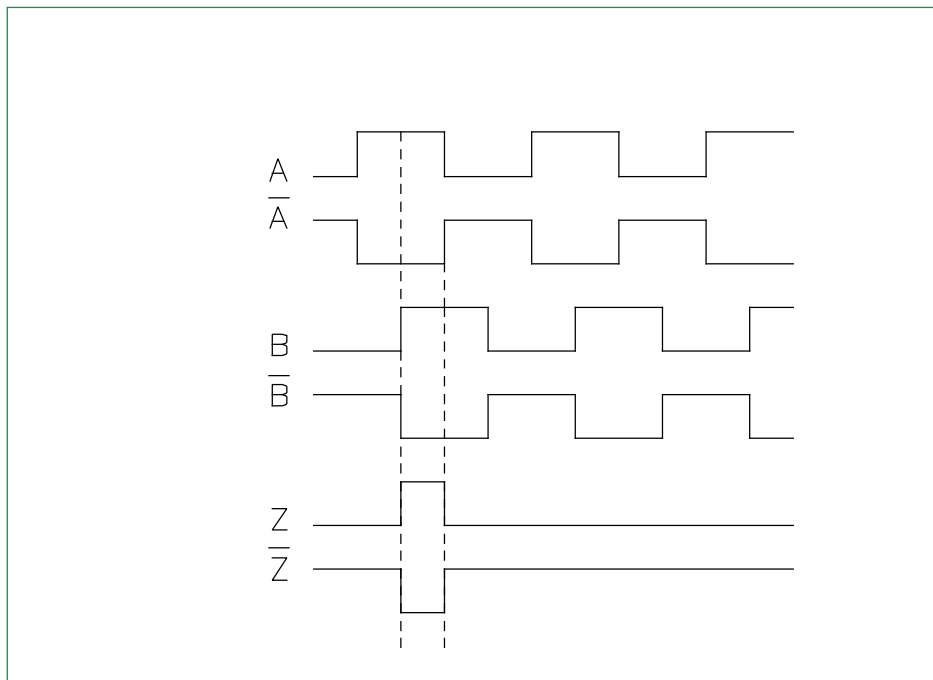
Mechanical Specifications	
Universal Max Rotating Speed	8000rpm
Max Rotating Speed	15000rpm
Start Torque	9.8×10 N·m (100gk·cm Max)
Moment of Inertia	6.5×10 kg·m <sup>2</sup> (65g·cm <sup>2</sup> Max)
Mounting Tolerance	Radial Play 0.05mm TIR Max
	Axial Play 0.2mm Max
	Angular Inclination 0.1° Max
Breaking Strength of Shaft and Bearing	≥650N
Axial Pressure ±10N	Axial End-play Within ±0.005mm

Electrical Specifications	
Output Mode	Square Wave (TTL) 26LS31
Supply Voltage (V)	5V ±5%
Consumption Current (mA)	≤60mA      ≤80mA
Max Response Frequency (kHz)	300kHz
Rise time & Fall Time	100nec Max
Operating Temp. Range	-20~+85°C
Storage Temp.	-30~+120°C
Weight	0.05kg Max
Protection Class	IP 50

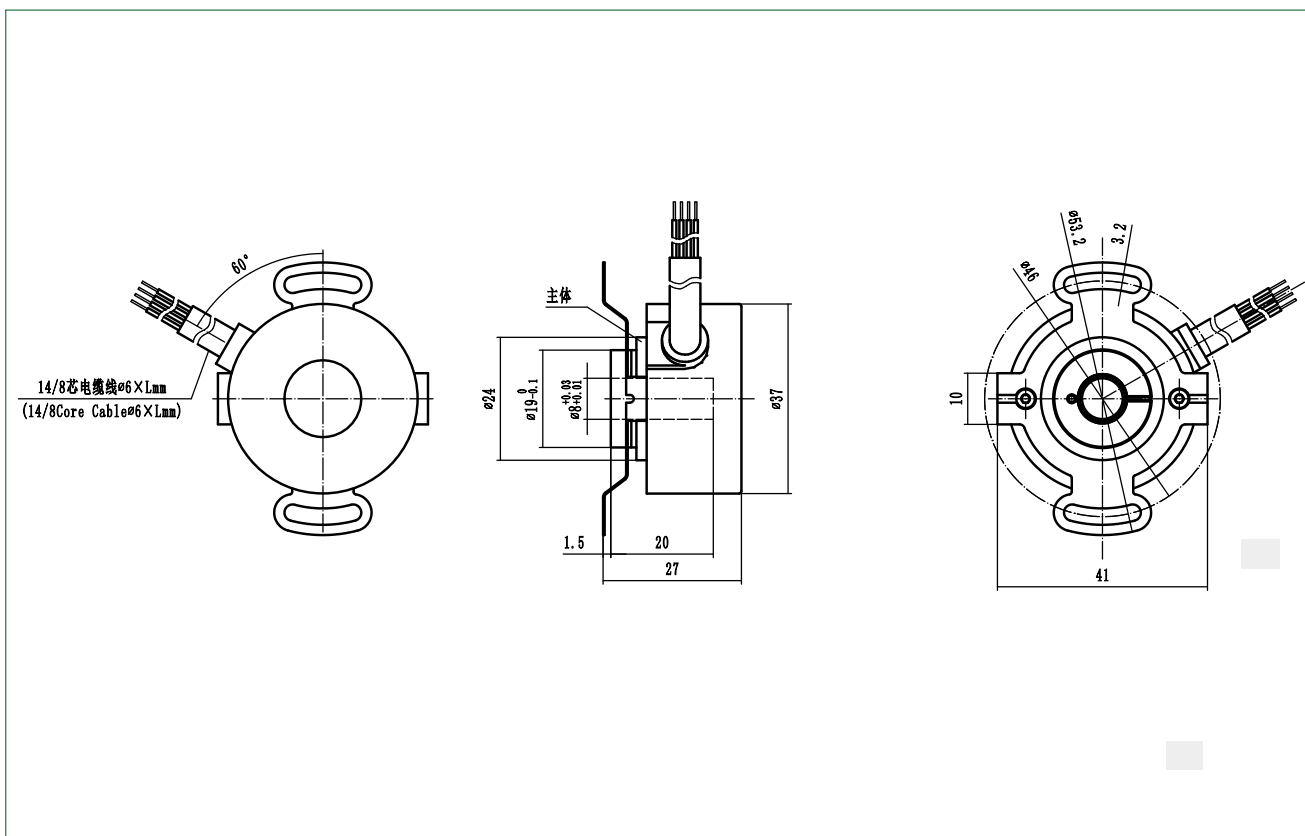
## Line Driver Output



## Output Phase Shift



# Dimension



# Connection

Pin No	1	2	3	4	5	6	7	8
Color	Red	White/Green	Green	Gray	White/Gray	Yellow	White/Yellow	Black
Line Driver	DC+5V	A/	A/	B	B/	Z	Z/	GND

Changchun Rongde Optics Co., Ltd

[www.roundssencoder.com](http://www.roundssencoder.com)

