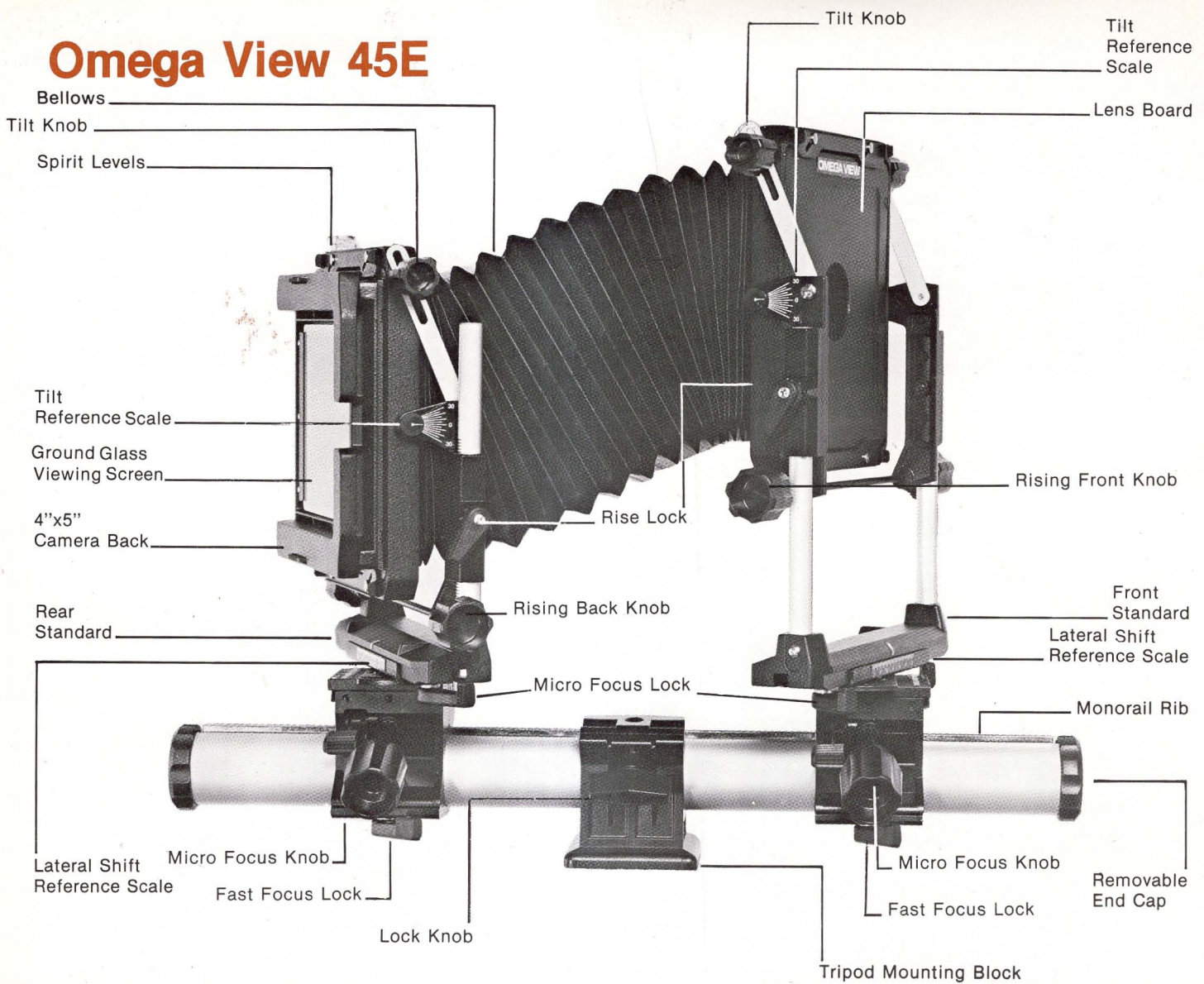


# OMEGA VIEW 45

PROFESSIONAL VIEW CAMERAS



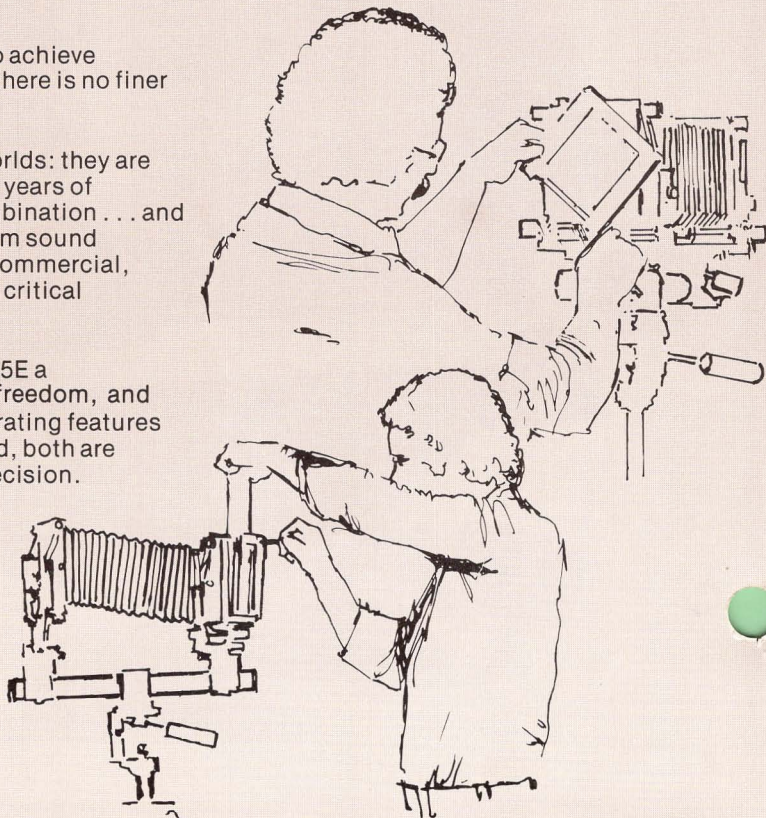
# Omega View 45E



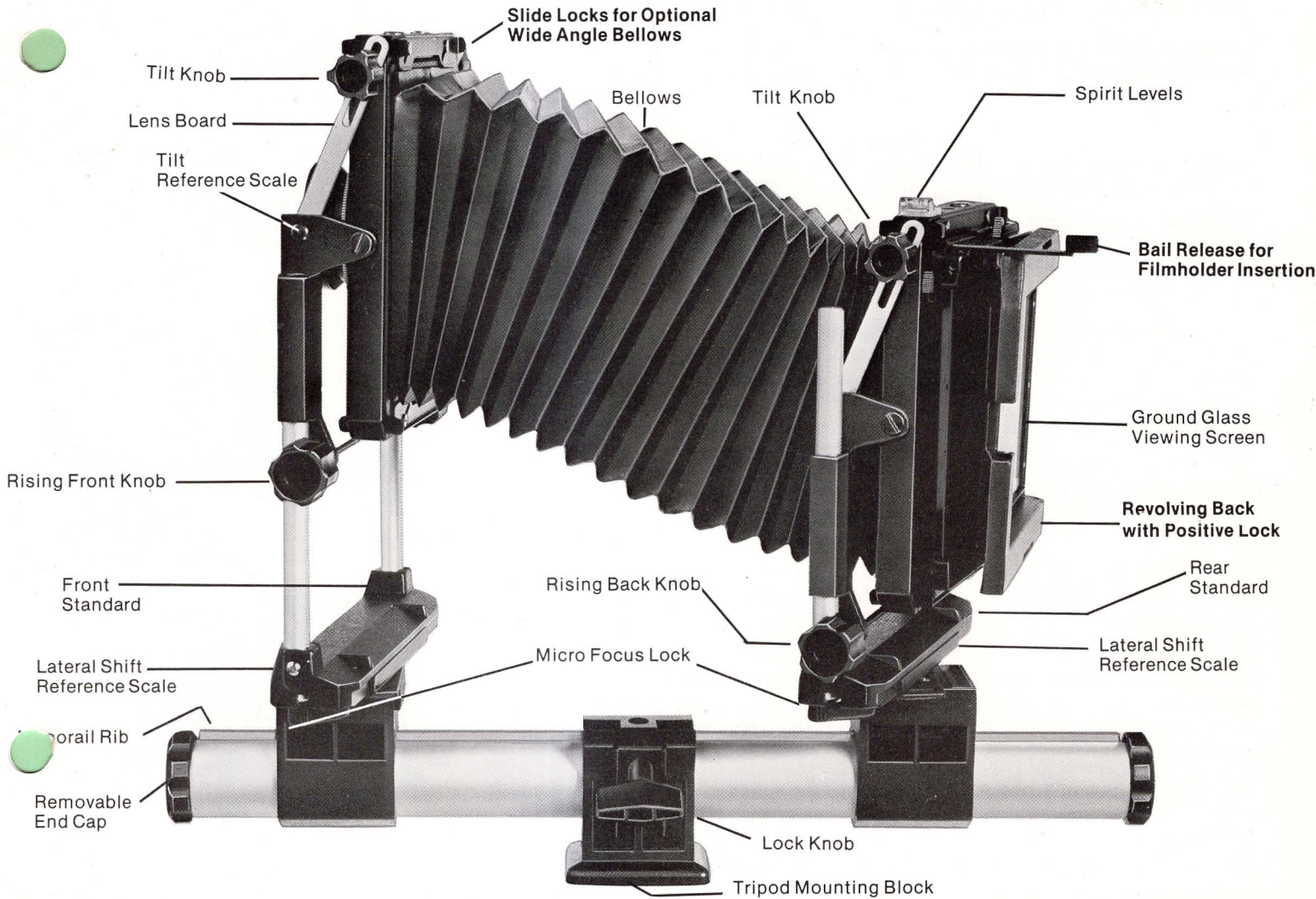
What photographers knew many years ago is still true today: to achieve optimum photographic quality, creativity, and image control, there is no finer tool than the large-format view camera.

Omega View 45E and 45F cameras represent the best of two worlds: they are high-precision, high-performance 4"x5" cameras designed for years of professional use . . . at very affordable prices. This unique combination . . . and their complete range of professional accessories — makes them sound investments in your photographic future — whether you plan commercial, illustrative, architectural, industrial, portrait, still life, or other critical applications.

The Omega View 45F adds to the extensive capabilities of the 45E a convenient, built-in revolving back for ultimate composing freedom, and provision for use with special wide angle bellows. In other operating features and respects, the two Omega View models are the same . . . and, both are constructed to identical standards of reliable, professional precision.



# Omega View 45F



## Omega View 45E • 45F features check list

- 360° revolving back for maximum composing freedom (standard on Omega View 45F, optional accessory for Omega View 45E).
- Provision for wide angle bellows (Omega View 45F exclusively).
- Full complement of camera movements: Swings, tilts, lateral shifts, rising front and back.
- Swings, tilts and lateral shifts are detented for easy zeroing.
- Rack and pinion movement with lock for rising front and back.
- Dual locking knobs for swings, tilts and lateral shifts.
- Easy to apply reference scales are provided for tilts and lateral shifts.
- Accepts all standard 4x5 sheet film holders,\*Polaroid™ Land Film Holder Model 545, film packs and Graflok™ accessories.
- 2¼"x2¾" (6x7cm) and 2¼"x3¼" (6x9cm) roll film formats with accessory Quick Roll Sliders.
- Large monorail for greater rigidity.
- 10mm reference marks on monorail to assist in bellows extension determination.
- Removable monorail end caps for ease of disassembly and transportation.
- Elevated monorail rib maintains precise alignment of front and rear standards.
- Rigid tripod mounting block with two tripod mounting sockets.
- Monorail rotates 10° for convenient horizontal alignment.
- Fast and micro focusing for front and rear standards with lock.
- Large square lensboard accepts nearly all lens and shutter combinations.
- A full range of recessed and adapter lensboards.
- Two spirit levels on rear standard for bringing rear standard to vertical or aligning camera on horizontal and vertical axis for zeroing.
- Ground glass back changes conveniently from horizontal to vertical.
- Professional black finish.

\*Polaroid is a registered trademark of the Polaroid Corporation.

# Omega View construction

One look at any Omega View camera tells you it's built to meet demanding professional requirements.

**Monorail:** The optical bench design with the heavy duty monorail increases stability and reduces camera shake. The elevated monorail rail assures precise front and rear standard alignment and is calibrated in 10mm increments to help determine bellows extension.

The removable monorail end caps simplify camera disassembly making it possible to carry the Omega View in luggage style camera cases or store it in relatively small spaces. If you like nature photography, the take down feature also allows the camera to be conveniently transported in a backpack.

**Bellows:** The rugged Omega View Bellows is an extra long 452mm to permit close up photography. You can achieve 1:1 magnification with a 210mm lens, and even greater magnifications with shorter focal lengths.

The special bellows material is durable, and its flexibility permits camera movements even with short focal length lenses. A special wide-angle bellows (optional) permits virtually unlimited movements with wide angle lenses on the Model 45F.

**Ground Glass Viewing:** Ground glass viewing is important, because it is the only way to accurately evaluate the image exactly as it will appear on film, and is particularly necessary when using camera movements.

The Omega View 45E has a full format ground glass viewing screen that can be changed quickly from horizontal to vertical to meet the compositional requirements of your subject. The 45F permits complete 360° rotation of the camera back for maximum composing freedom.

**Focusing Controls:** When you want optimum sharpness, you need precise focusing control. The Omega View provides fast focus and micro-focusing mechanisms on both the front and rear standards.

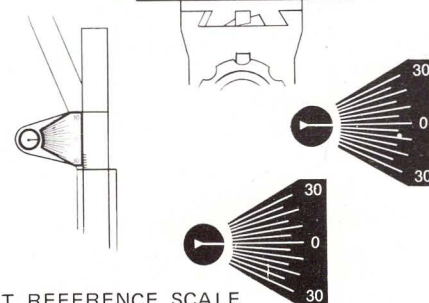
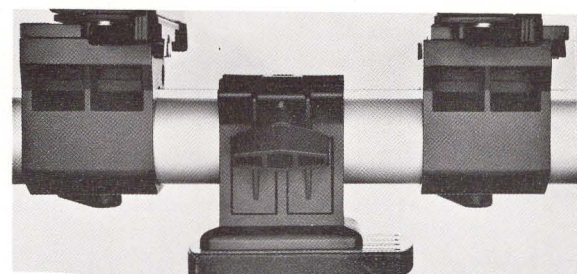
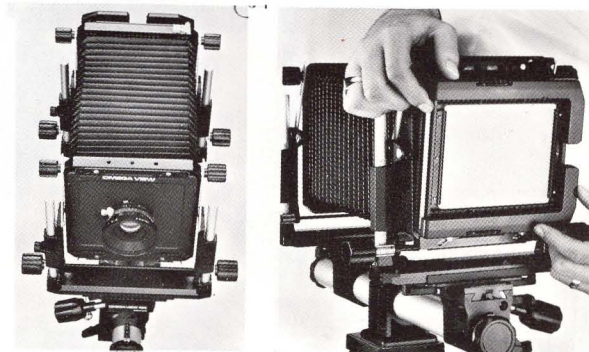
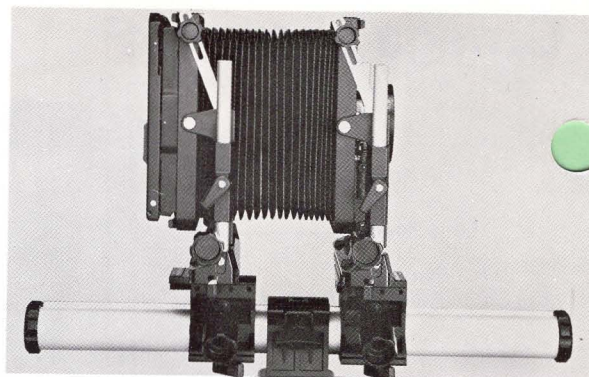
For critical razor sharp images, the precision rack and pinion micro-focusing system is so smooth you can focus accurately without worrying.

Fast focus is accomplished by sliding the standard forward or back on the monorail. This feature facilitates camera set up, and permits quick initial focusing.

**Tripod Mounting Block:** Most people take tripod mounting for granted, but it is a very important link in maintaining view camera stability. The Omega View has a large sturdy mounting block designed for maximum steadiness. Special features include a large easy to use lock knob; two tripod sockets for standard and European threaded tripods; a keyway that lets you rotate the camera 10° to help line up the horizon without changing the tripod.

**Little Things:** Little things are important, and the Omega View offers you the little things that mean a lot in a creative situation. Things like

- Large easy to use operating controls you don't have to fumble with
- Dual locking mechanisms on swings, tilts and lateral shift
- Two spirit levels on the rear standard for horizontal and vertical camera alignment
- Easy to apply reference scales to indicate the amount of tilt and lateral shift
- Large square lensboard which will accept nearly all lens and shutter combinations
- Detents on swings, tilts and lateral shifts for quick and easy zeroing.



TILT REFERENCE SCALE

# Omega View accessories



The Omega View is more than just a camera. It is a large format system with a full line of professional accessories designed to complement the camera and achieve maximum versatility.

**1. 4x5 Reflex Mirror Hood:** The finest focusing and viewing accessory is the Reflex Mirror Hood. It has a built-in magnifier that permits viewing with both eyes in both horizontal and vertical ground glass positions. But most important, the Reflex Mirror Hood inverts the ground glass image so that the subject is seen right-side-up for ease of composition and focusing.

**2. Collapsible Lens Hood:** Because View Camera lenses vary in diameter and length, it is sometimes difficult to find appropriate screw-on or slip-on lens shades. The Collapsible Lens Hood can be used with nearly all lenses from short to long focal length. It attaches conveniently to the camera by screwing the bracket into the mounting socket on the front standard. The Collapsible Lens Hood is hinged so that it will swing upward providing easy access to shutter and aperture controls.

**3. 4x5 Magnifying Hood:** The 4x5 Magnifying Hood eliminates the need for a focusing cloth. The built-in magnifier provides for quick precise focusing and viewing of the ground glass. The Magnifying Hood will swing away from the back of the camera for easy access to the ground glass surface.

**4. 6x9 Magnifying Hood:** The 6x9 Magnifying Hood is designed specifically for the Quick Roll Slider and functions in the same way as the 4x5 Magnifying Hood.

**5. Recessed Lens Board:** When using wide angle lenses, it is best to mount them on recessed lensboards for convenient focusing. This also permits additional bellows extension so that camera movements can be used with shorter focal lengths.

**6/14. Adapter Lensboards:** For photographers who have purchased an Omega View and also own a Calumet™, Speed Graphic™, or Linhof Technika™ camera, the Adapter Lensboards make it possible to change lenses from one of these cameras to the Omega View without removing the lenses from their present lensboards.

**7. Sheet Film Holder:** The Sheet Film Holder is designed to hold two pieces of 4"x5" film. The dark slide grips are coded white on one side (unexposed film) and black on the other side (exposed).

**8. Cable Release Adapter:** The Cable Release Adapter is ideal for use with recessed lensboards. It has a built-in cable release socket angled at 45 degrees which relieves strain on the cable for easier shutter tripping, and more convenient attachment of the release to the shutter.

**9/10. Quick Roll Sliders:** Using one of the Quick Roll Sliders quickly converts the Omega View to 6x9cm or 6x7cm roll film formats with the use of Mamiya Press™ or Graflex™ 120 roll film backs (not included). The Quick Roll Slider features a ground glass fresnel focusing screen that

slides into position for viewing and composing. After focusing, the Quick Roll Slider slides to the exposure position making it unnecessary to remove either the ground glass or roll film back during the focusing or exposure procedure. The Quick Roll Slider features a built-in, cam-operated dark slide to prevent accidental exposure or light leaks when in the focus position.

**11. Revolving Back:** The Revolving Back rotates a full 360° so that the image can be changed from horizontal to vertical or any point between without removing the back from the camera. The rotating feature is also helpful for aligning the image or changing the image position on the ground glass. The bail release simplifies insertion of film holders (standard on Omega View 45F).

**12. 4x5 and 6x9 Focusing Hoods:** These hoods are designed primarily for use in the field. The 4x5 for the standard Omega View back and the 6x9 for the Quick Roll Slider. When not in use, both hoods fold flat against the camera back and need not be removed while the camera is being carried.

**13. Reference Scales:** The easy to apply Omega View Reference Scales are supplied with each Omega View camera. The scales provide a ready indication of the amount of tilt and lateral shift. The reference scales are available as a replacement part.

**15. 250mm Monorail:** The short 250mm monorail is designed for use in wide angle photography as an additional convenience when using wide angle or short focal length lenses. It fits the Omega View 45E with a standard bellows and the 45F with either a standard or wide angle bellows. Featuring an elevated rib for greater stability and calibrated in 10mm increment marks, it permits greater than 1:1 magnification when used with a 90mm lens.

**16. Wide Angle Bellows For 45F:** The optional wide angle bellows is an ideal aid for wide angle photography. The flexible construction allows maximum camera movements at minimum bellows extension, when using wide angle or short focal length lenses. Designed to be used on the Omega View 45F and Toyo View cameras.

**17. Carrying Cases:** The Omega View Standard Carrying Case is designed to hold the camera, completely assembled, in the center section. The left and right side compartments provide ample space for film holders and accessories, plus a special slotted section for lenses. The Deluxe Carrying Case offers similar advantages with added durability and air/moisture resistance.

**NOTE:** All Omega View 45E/45F accessories and lensboards are fully interchangeable with Toyo View cameras.

---

For those who have not experienced the excitement of view cameras, we would like to introduce you to some of the advantages that are only possible in large format photography.

---

## View Camera . . . who needs it?

Not everyone needs a view camera. If you shoot candid, fashion, news or just a few snapshots, a view camera may not be practical. But, when you want to maintain complete creative control over your photographic images, chances are, the Omega View may be just what you are looking for.

### Why large format?

**Finest possible print quality** — The size of the large format negative helps insure the highest quality enlargements. In photographic printing, the more a negative image is enlarged, the more the apparent sharpness, contrast and color saturation will be reduced. For example, a 35mm negative must be enlarged eight times to make an 8x10 print. A 4x5 negative need be enlarged only two times.

**Optimum image quality** — The large format negative provides much finer detail, sharpness and tonal rendition than smaller negatives, because its larger image contains a far greater number of silver grains.

One shot at a time — It is convenient to make several exposures on a roll of film, but if you want absolute exposure and development control over each shot, large format sheet film is the answer.

### The large format view camera

The view camera is characterized by:

1. The ability to move its major components in order to control distortion, sharpness, depth of field and image position. These camera movements are called swings, tilts, lateral shifts, rising front and rising back.
2. Ground glass viewing and focusing.
3. A flexible bellows that permits close-up photography without extension tubes, supplementary bellows or close-up attachments.
4. Complete interchangeability of lenses.

## Multi-format versatility



Versatility is important in a professional camera. The Omega View provides the opportunity to enjoy the benefits of large format 4"x5" film, with the standard ground glass back, and the convenience of 6x7cm and 6x9cm roll film formats with the accessory quick roll sliders.

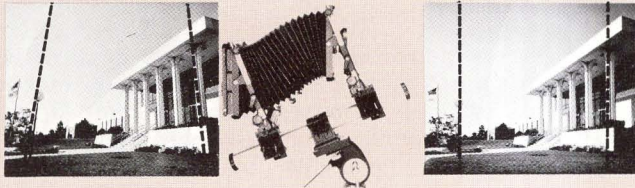
The multi-format capability of the Omega View means greater film selection. For example, one major film manufacturer produces over thirty different sheet film emulsions for large format cameras. The additional choice of roll film makes it possible to use the Omega View for nearly every application and choose the right film for the job.

---

# Camera movements

The Omega View has all the camera movements necessary to control distortion, sharpness, depth of field and image positioning. Taking advantage of these movements gives you creative freedom not possible with an SLR or other rigid cameras.

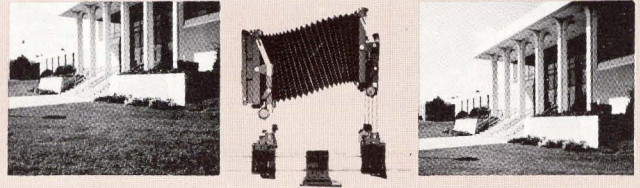
## Vertical Perspective Control: Rear Tilts $\pm 30^\circ$



**Problem:** *converging vertical lines* when camera is aimed up or down.

**Solution:** *tilt rear* to eliminate distortion; *tilt front* for maximum sharpness.

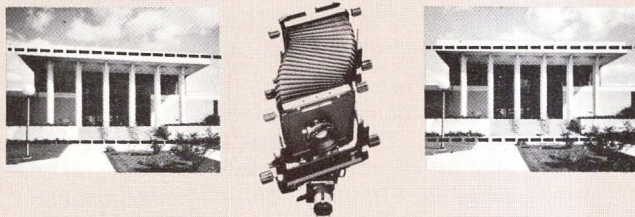
## Vertical Image Control: Front & Rear Rise 90mm



**Problem:** *poor composition* – subject appears too high or low on groundglass.

**Solution:** *raise front or rear* to frame as desired.

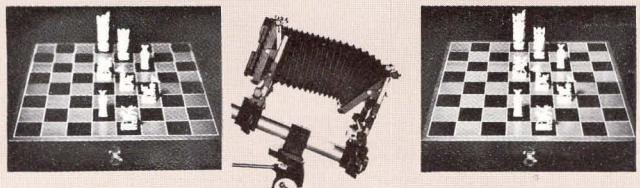
## Horizontal Perspective Control: Rear Swings $\pm 20^\circ$



**Problem:** *converging horizontal lines* when subject is taken at an angle.

**Solution:** *swing rear* to restore natural perspective; *swing front* for maximum sharpness.

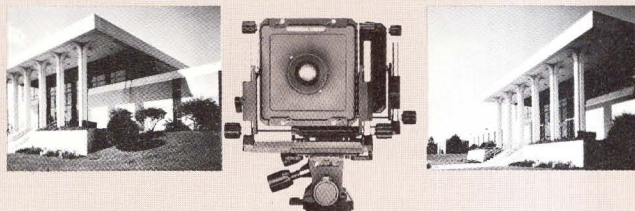
## Expanded Depth-of-Field in Vertical Plane: Front Tilts $\pm 30^\circ$



**Problem:** *lack of sharpness* caused by limited depth-of-field.

**Solution:** *tilt front* towards subject plane for maximum sharpness

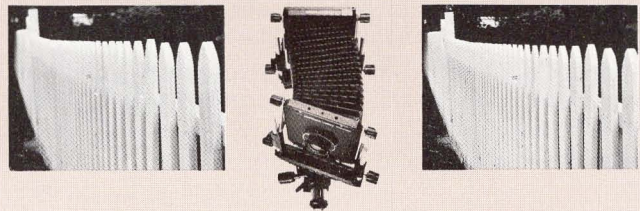
## Horizontal Image Control: Front & Rear Shifts $\pm 32$ mm



**Problem:** *poor composition* – subject is off center.

**Solution:** *shift front and/or rear* to position subject as desired.

## Expanded Depth-of-Field in Horizontal Plane: Front Swings $\pm 20^\circ$



**Problem:** *lack of sharpness* caused by limited depth-of-field.

**Solution:** *swing front* towards subject plane for maximum sharpness.

## Getting started in view camera photography

Here is a list of items you will need to get started. Some are absolutely essential, and others are helpful accessories that will make using a view camera more convenient.

Basic view camera outfit:

1. Omega View camera.
2. A lens with a focal length appropriate for the kind of photography you plan to do, mounted on the proper lensboard.
3. Sturdy tripod.
4. \*Focusing cloth or magnifying focusing hood.
5. Six or more standard 4x5 sheet film holders; film.
6. Long, flexible cable release.
7. Carrying case.

\*When using a focusing cloth, a lupe or magnifier is helpful for critical sharpness.

## Helpful accessories

1. Bellows lenshood.
2. Quick roll slider for holding Mamiya™ Press or Graflex™ roll film holders.
3. Mirror reflex hood.
4. Revolving back (standard on Omega View 45F)
5. Filters and filter holder or retaining ring.
6. Recessed lensboard for wide angle lenses.

## Choosing view camera lenses

An excellent general purpose focal length for the Omega View is from 180mm to 210mm, because it will allow complete camera movements and can be used for most portrait, commercial and still life applications. The normal bellows draw of the Omega View will also permit magnifications up to 1:1 making close-up photographs possible with the 210mm focal length.

A basic guide to 4x5 View Camera focal lengths:

General Purpose:	180mm, 210mm, 240mm
Portraiture:	210mm, 240mm, 300mm
Product & Still Life:	210mm, 240mm, 300mm
Architectural interiors, exteriors & wide angle:	90mm, 75mm, 65mm
Semi wide angle:	150mm, 135mm

## When Choosing a View Camera Lens Remember:

1. Longer focal length lenses require more bellows extension to focus than shorter focal length lenses. You will need a bellows extension the same as the focal length of the lens to focus at infinity (exception: telephoto formula lenses).
2. The lens should produce a large enough circle of usable illumination to permit camera movements. (Exceptions: extreme wide angle lenses: 65mm, 75mm). If camera movements are not necessary, the circle of usable illumination can be smaller, but should fully cover the negative area.
3. The choice of focal length is largely a matter of personal preference. One photographer may prefer a 210mm lens for a portrait, another photographer may use a 300mm lens for the same kind of photograph.
4. The choice of focal length can be determined by the desired photographic effect. For instance, there is no law that says wide angle lenses must be used for architecture only. Excellent still life photographs can be made with short focal length lenses to force perspective and give the illusion of extreme depth.
5. Each lens you own should be mounted on appropriate lensboard. Normal and long focal length lenses should be mounted on the standard lensboard. Wide angle lenses should be mounted on recessed lensboard to allow convenient focusing and camera movement.

## Omega View 45E • 45F Specifications

**Format:** 4"x5" Accepts standard sheet film holders, 545 Polaroid back, film packs and Grafmatic back.

**Additional Formats:** 6x7cm and 6x9cm using Graflex or Mamiya Roll Film Backs with Accessory Quick Roll Sliders.

**Camera Movements** (Front and Rear)

Tilts .....	± 30°
Swings .....	± 20°
Rise .....	90mm (3.5")
Lateral Shift .....	± 32mm (1.3")
<b>Revolving Back</b> [standard on 45F] . . . . .	360° rotation, locks in all positions

### Dimensions

<b>Length Overall</b> .....	474mm (18.7")
<b>Height Overall</b> .....	330mm (13")
<b>Width Overall</b> .....	280mm (11")
<b>Maximum Extension</b> .....	452mm (17.8")
<b>Minimum Extension</b> .....	85mm (3.4")
<b>Minimum Extension with Recessed Lens Board</b> .....	41mm (1.6")
<b>Monorail Diameter</b> .....	39mm (1.5")
<b>Weight</b> .....	4 kg. (8.8 lbs.)
<b>Lensboard</b> .....	158mmx158mm (6.3"x6.3")

Prices and Specifications subject to change without notice.

Omega View/Toyo Division

**BERKEY MARKETING COMPANIES**

25-20 Brooklyn-Queens Expwy. West, Woodside, NY 11377 ■ (212) 932-4040  
1011 Chestnut Street, Burbank, California 91506 ■ (213) 843-1883

