

BULLETIN No. 1025

ISSUE 3

JULY, 1945

TELETYPE

PRINTING TELEGRAPH SYSTEMS

PARTS

TELETYPE WHEATSTONE PERFORATOR

WPE3/1SS & /1JJJ

(FOR STANDARD OPERATION)

WPE16/1SS

(FOR BAUDOT TO MORSE CODE CONVERTER OPERATION)

AND

ACCESSORIES



REG. U. S. PAT. OFF.
CORPORATION

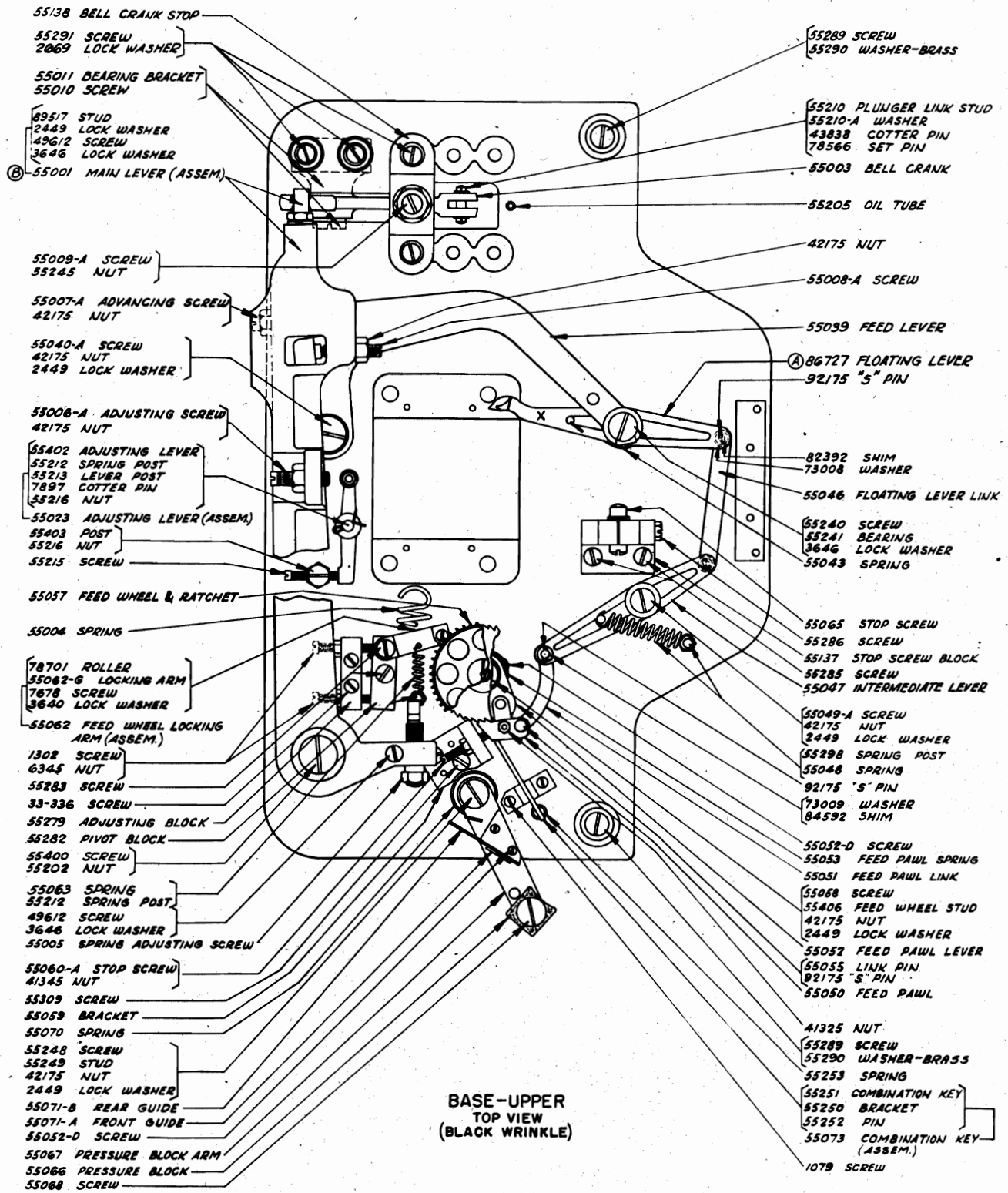
SUBSIDIARY OF

Western Electric Company

CHICAGO, U. S. A.

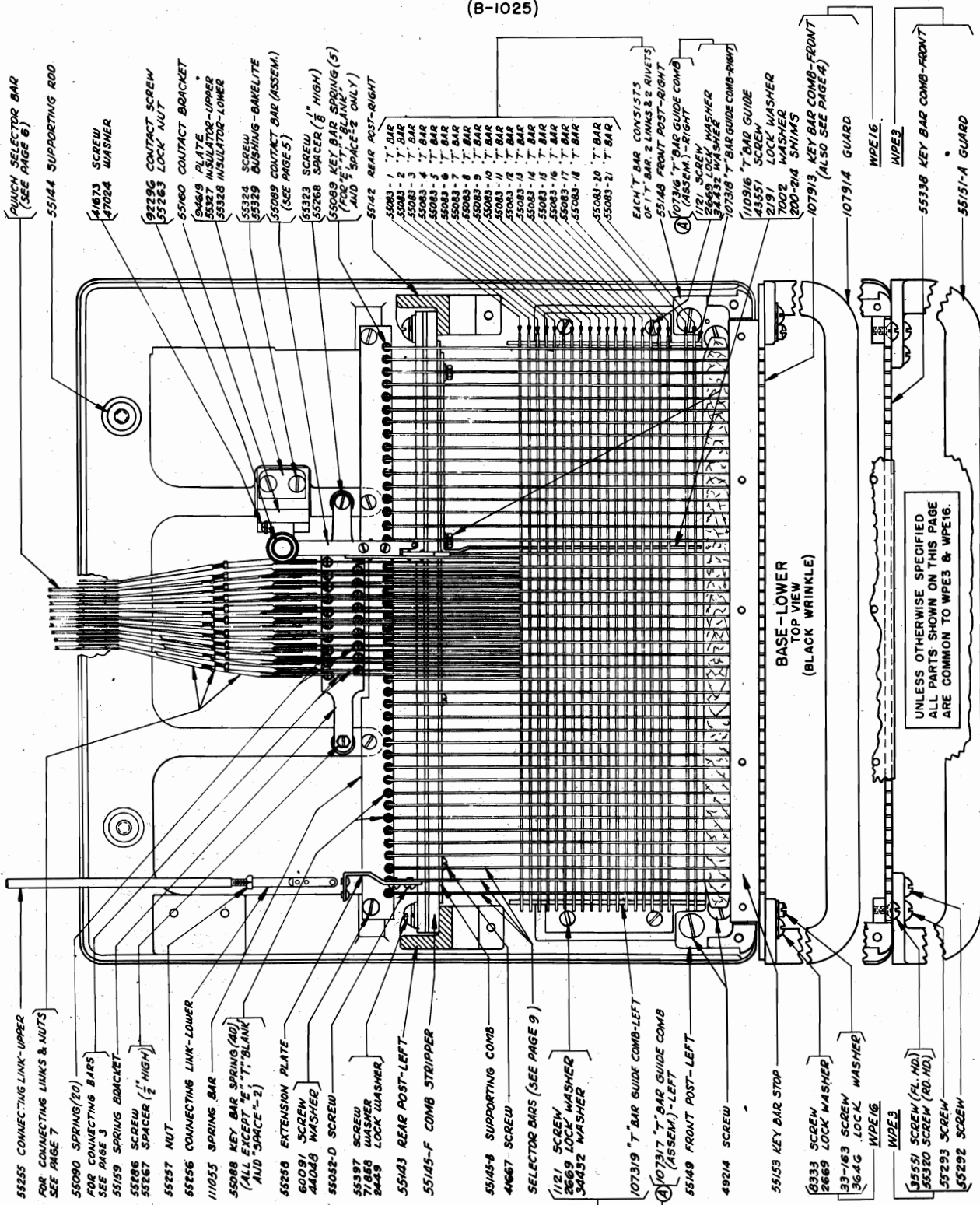
ALPHABETICAL INDEX

DESCRIPTION	PAGE NO.	DESCRIPTION	PAGE NO.
Accessories - - - - -	10,11,12	Keytops (Cellulose Acetate) - - - - -	9
Base - Upper - - - - -	1	Keytops (Paper) - - - - -	9
Base - Lower (Top View) - - - - -	2	Links (Connecting) - - - - -	7
Base - Lower (Bottom View) - - - - -	3	Links (Key Bar) - - - - -	4
Bezels - - - - -	9	Main Lever - - - - -	1
Chad Boxes - - - - -	10	Message Rack (With Chad Box) - - - - -	10
Chad Chute (Assem.) - - - - -	8	Notes of Explanation - - - - -	13
Chad Shield - - - - -	8	Numerical Index - - - - -	14
Combination Key (Assem.) - - - - -	1	Plugs (Cords) - - - - -	8,11
Condenser Unit (Assem.) - - - - -	5	Power Cord (Assem.) - - - - -	8
Connecting Bars - - - - -	3	Pressure Block Parts - - - - -	1
Connecting Links - - - - -	7	Punches - - - - -	7
Copyholder - 6" (Assem.) - - - - -	12	Punch Block (Assem.) - - - - -	6
Cords - - - - -	8,11	Punch Selector Bars - - - - -	6
Contact Bar (Assem.) - - - - -	5	Selector Bars - - - - -	9
Cover (Assem.) - - - - -	12	Solenoid (Assem.) - - - - -	5
Cover (Side and Rear) - - - - -	8	Spacer Bars - - - - -	4
Cover (Top) - - - - -	8	T-Bars - - - - -	2
Die Block (Assem.) - - - - -	7	Tape Feed Mechanism - - - - -	1
Feed Wheel and Ratchet - - - - -	1	Tape-Out Contact (Assem.) - - - - -	11
Feet - - - - -	3	Tape Reel (Assem.) - - - - -	11
Key Bars - - - - -	4,9	Tape Reel and Tape-Out Contact (Assem.) - - - - -	11
Key Bar Links - - - - -	4	Tape Shock Absorber (Assem.) - - - - -	10
		Terminal Block (Assem.) - - - - -	3

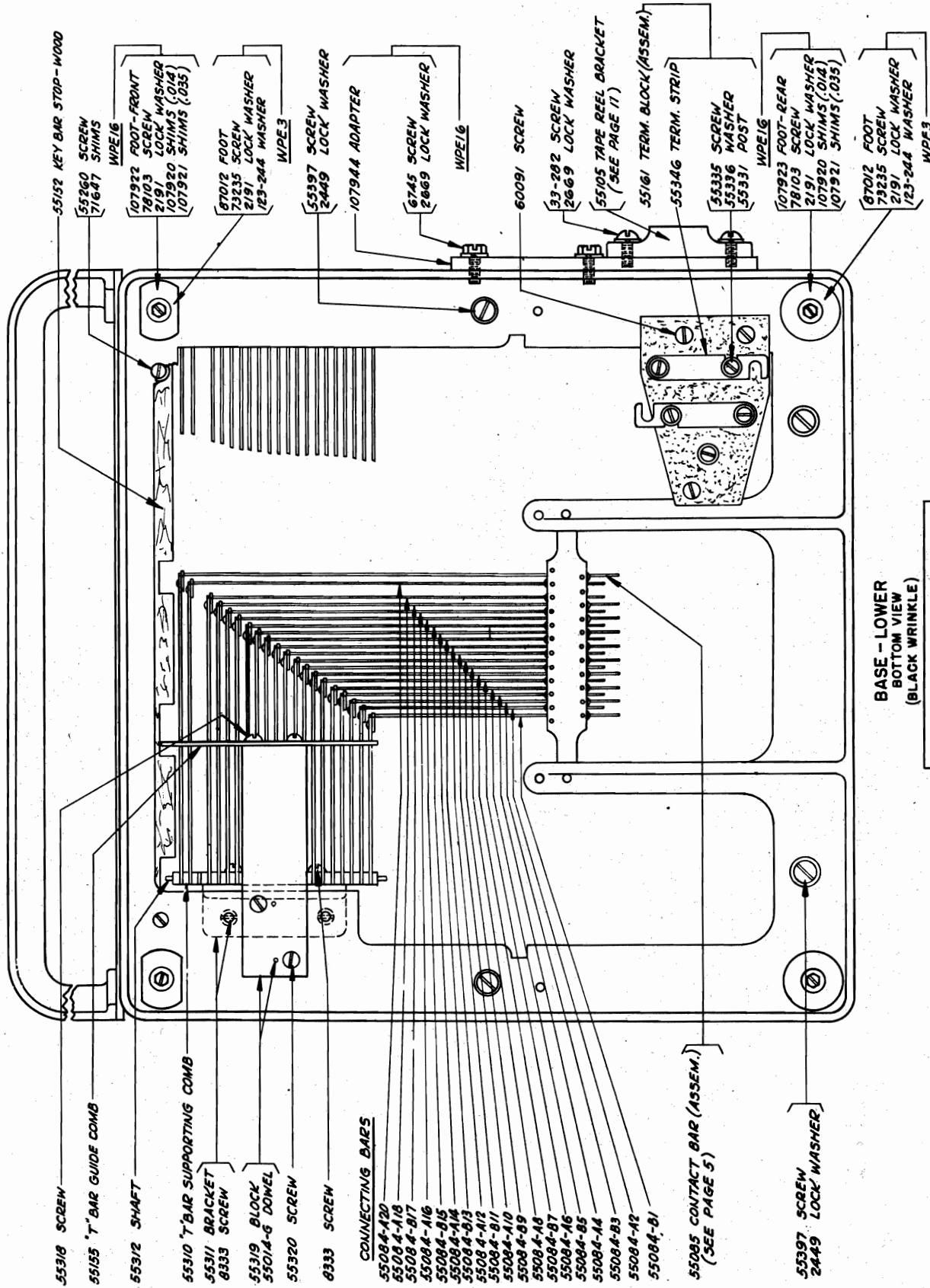


ALL PARTS SHOWN ON THIS PAGE
ARE COMMON TO WPE3 & WPE16.

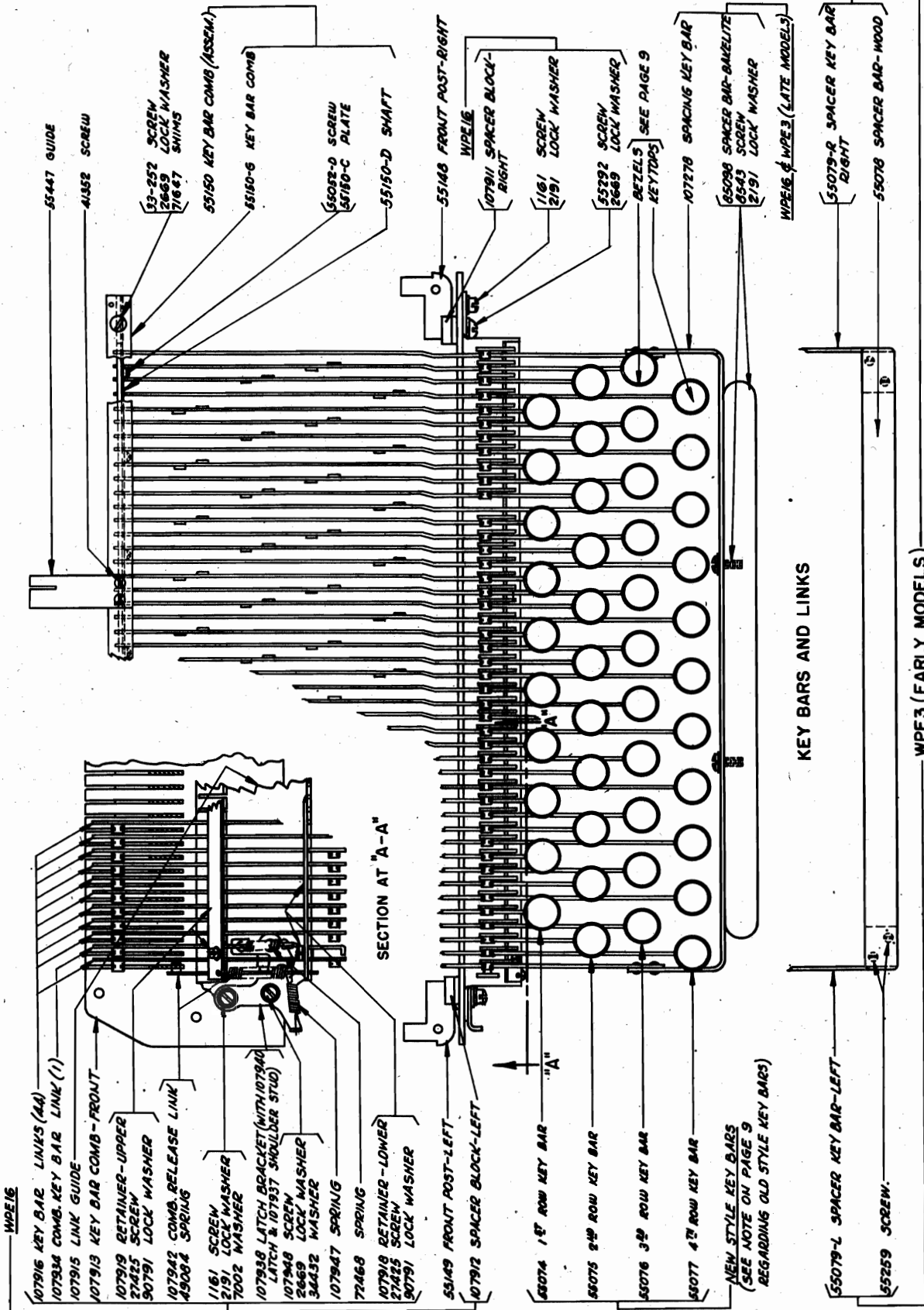
Ⓐ Ⓑ SEE PAGE 13 FOR NOTES OF EXPLANATION.



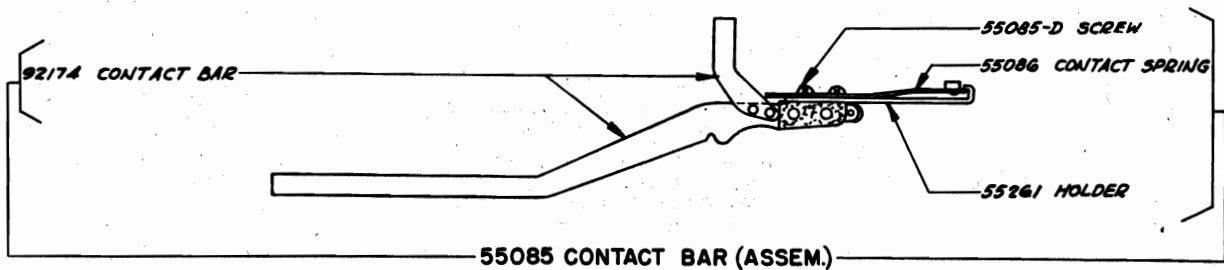
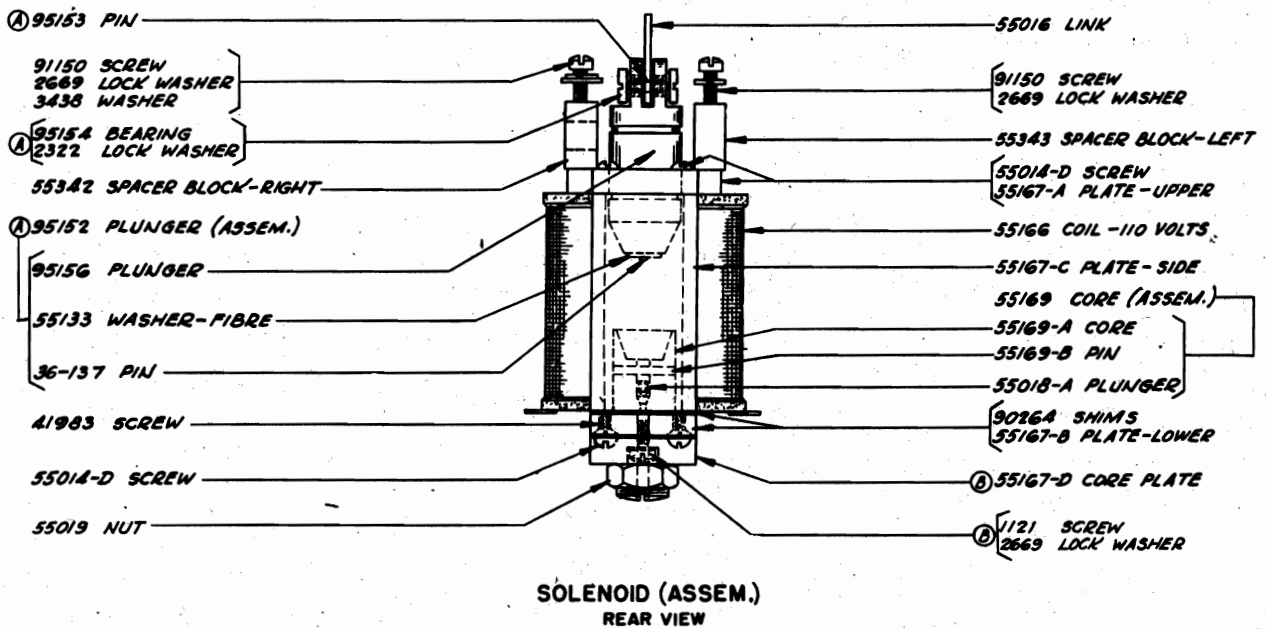
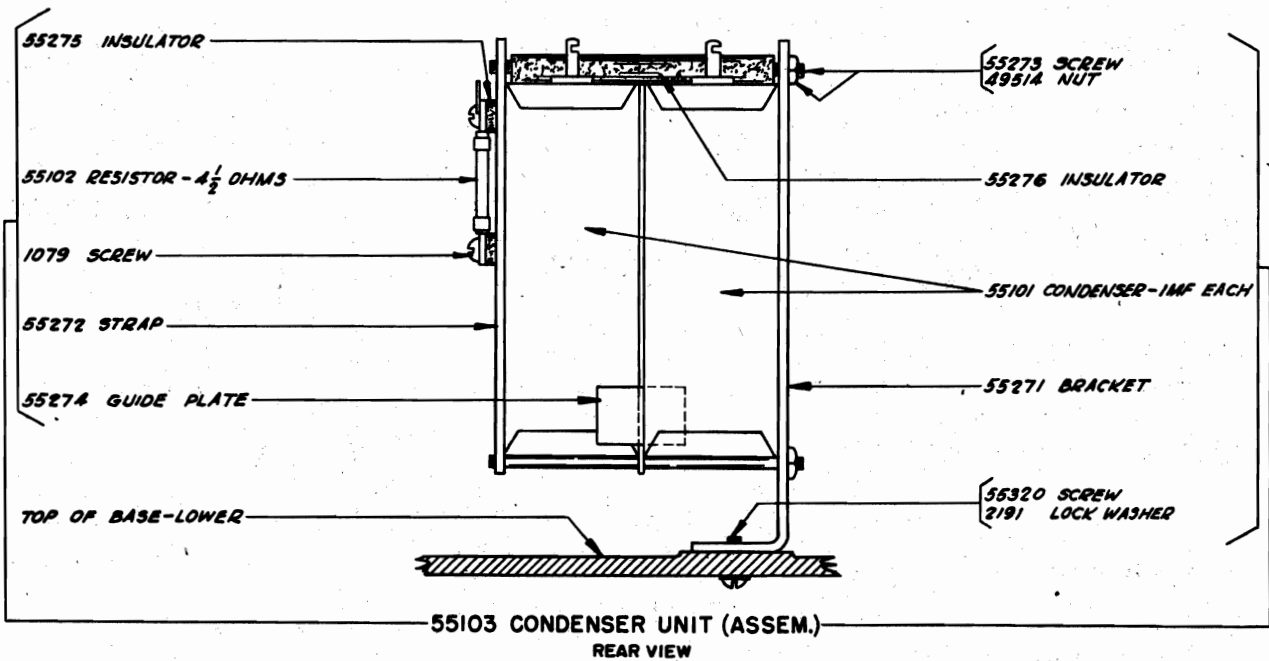
SEE PAGE 13 FOR NOTES OF EXPLANATION.



BASE - LOWER
BOTTOM VIEW
(BLACK WRINKLE)
UNLESS OTHERWISE SPECIFIED
ALL PARTS SHOWN ON THIS PAGE
ARE COMMON TO WPES & WP16.

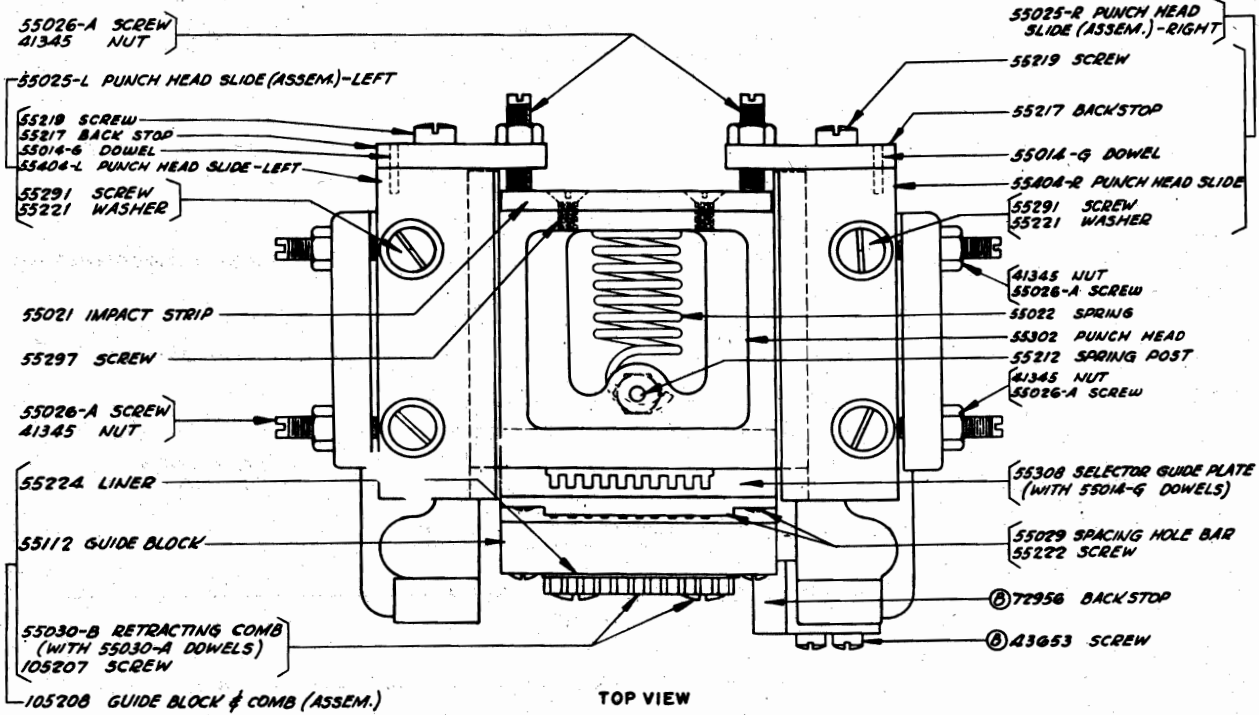


UNLESS OTHERWISE SPECIFIED
ALL PARTS SHOWN ON THIS PAGE
ARE COMMON TO WPE3 & WPE16.

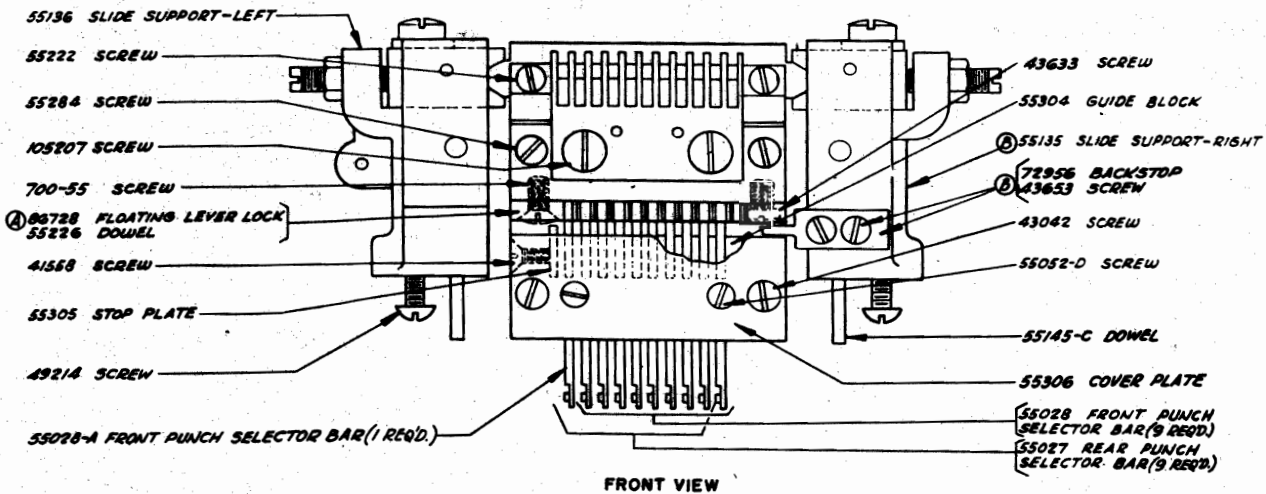


ALL PARTS SHOWN ON THIS PAGE
ARE COMMON TO WPE3 & WPE16.

Ⓐ SEE PAGE 13 FOR NOTES OF EXPLANATION.



TOP VIEW

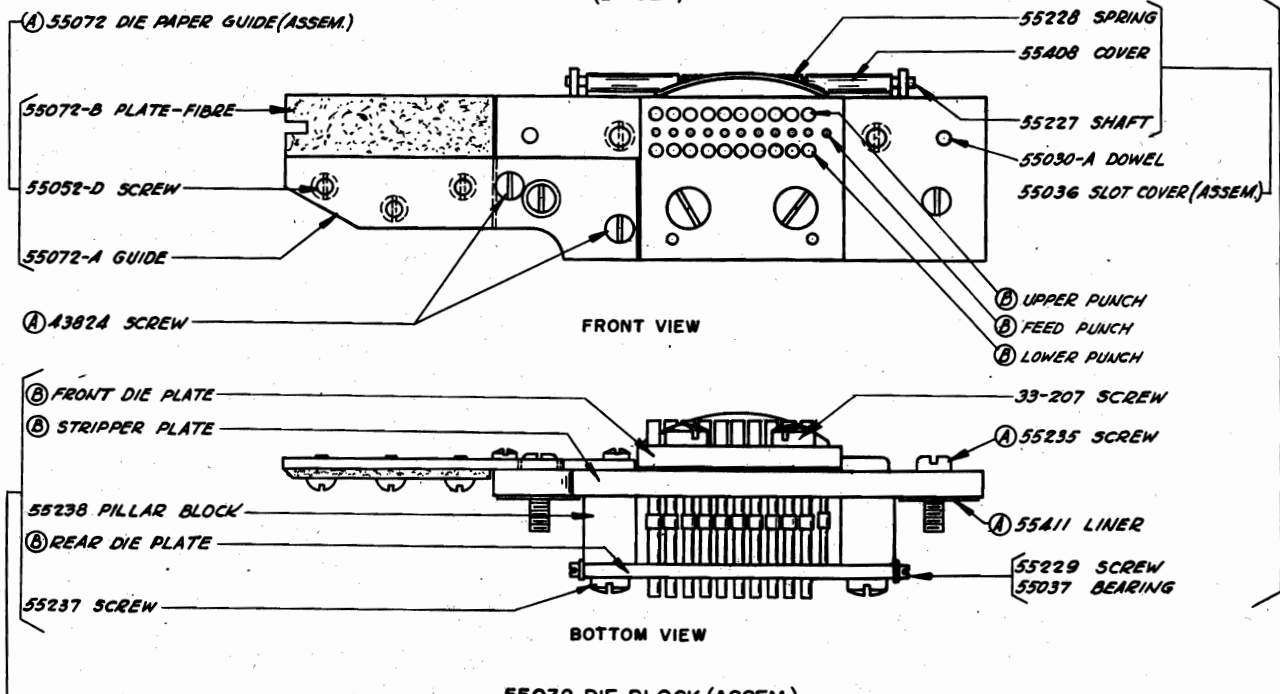


FRONT VIEW

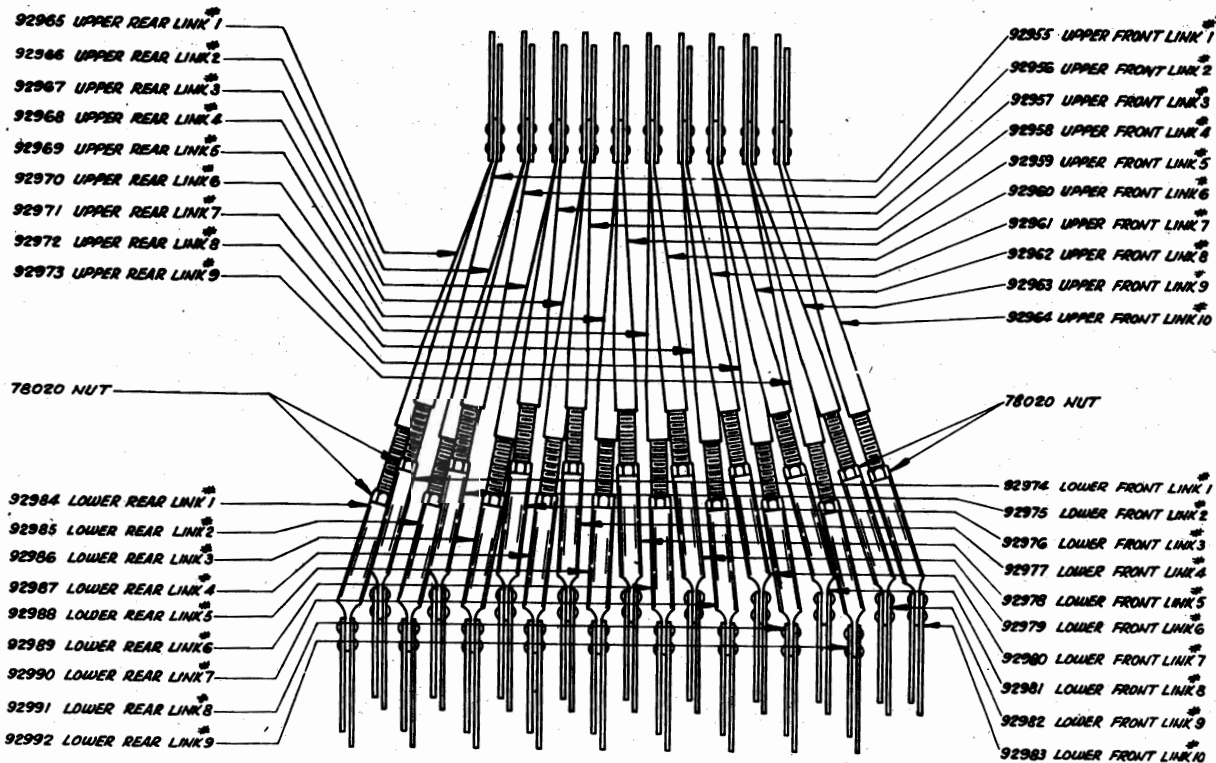
PUNCH BLOCK (ASSEM.)
WITH DIE BLOCK (ASSEM.) REMOVED
SEE PAGE 7 FOR DIE BLOCK (ASSEM.)

ALL PARTS SHOWN ON THIS PAGE
ARE COMMON TO WPE3 & WPE16.

(A)(B) SEE PAGE 13 FOR NOTES OF EXPLANATION.

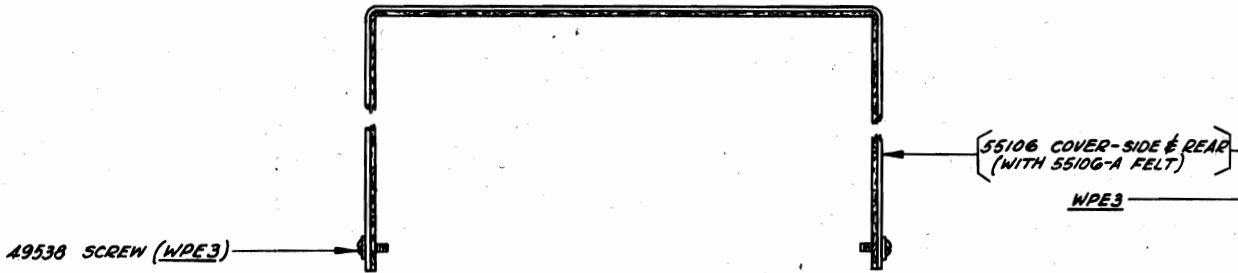


55032 DIE BLOCK (ASSEM.)
CONTINENTAL CODE
(EXCLUDES PARTS MARKED (A))

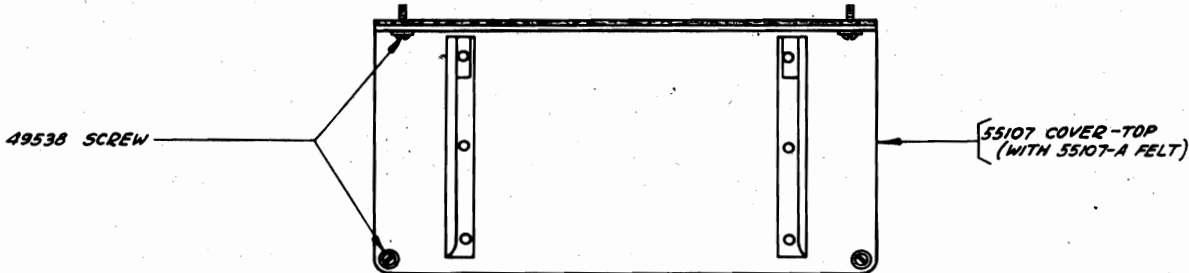


ALL PARTS SHOWN ON THIS PAGE
ARE COMMON TO WPE3 & WPE16.

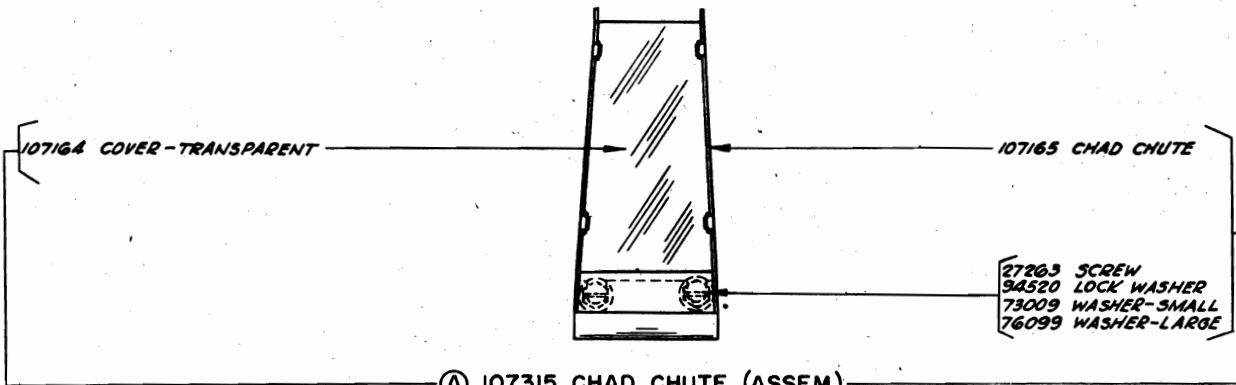
(B) SEE PAGE 13 FOR NOTES OF EXPLANATION



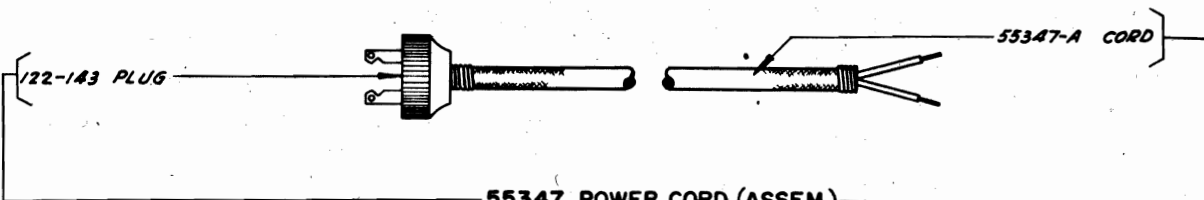
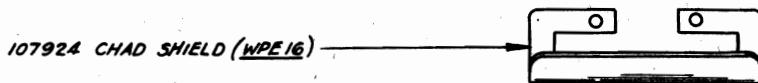
COVER-SIDE & REAR
TOP VIEW
(BLACK WRINKLE)



COVER-TOP
TOP VIEW
(BLACK WRINKLE)



① 107315 CHAD CHUTE (ASSEM.)
TOP VIEW

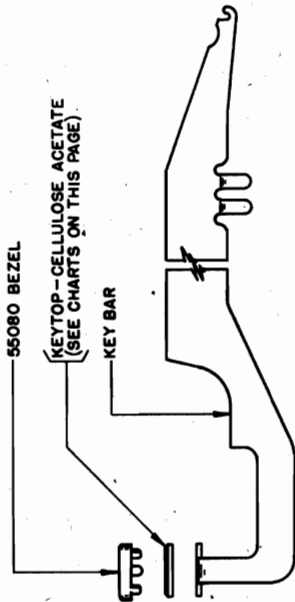


55347 POWER CORD (ASSEM.)
(APPROX. 70' LG.)

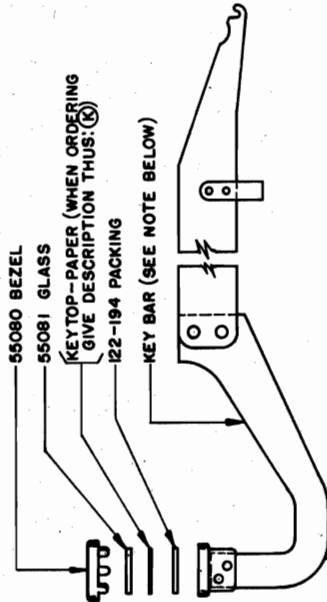
UNLESS OTHERWISE SPECIFIED
ALL PARTS SHOWN ON THIS PAGE
ARE COMMON TO WPE3 & WPE16.

① SEE PAGE 13 FOR NOTES OF EXPLANATION.

KEYTOPS (CELLULOSE ACETATE)		SELECTOR BARS (CONTINENTAL CODE)				
DESCRIP-TION	PART NUMBER	CODE COMBINATION STAMPED ON BAR	USED WITH KEY BAR IN ROW			
			1 (UPPER)	2	3	4 (LOWER)
A	110500	•			55700	
B	110501	•			55701	
C	110502	•			55702	
D	110503	•			55703	
E	110504	•		55704		
F	110505	•			55705	
G	110506	•			55706	
H	110507	•			55707	
I	110508	•		55708		
J	110509	•			55709	
K	110510	•			55710	
L	110511	•			55711	
M	110512	•			55712	
N	110513	•			55713	
O	110514	•		55714		
P	110515	•		55715		
Q	110516	•		55716		
R	110517	•		55717		
S	110518	•			55718	
T	110519	•		55719		
U	110520	•		55720		
V	110521	•			55721	
W	110522	•		55722		
X	110523	•			55723	
Y	110524	•		55724		
Z	110525	•			55725	
1	110526	•		55750		
2	110527	•		55751		
3	110528	•		55752		
4	110529	•		55753		
5	110530	•		55754		
6	110531	•		55755		
7	110532	•		55756		
8	110533	•		55757		
9	110534	•		55758		
O	110535	•		55759		
=	110536	•			92018	
/	110537	•				92021
BLANK	110538	•		92163		
COMB	110539	•				92007
AR	110540	•				92015
?	110542	•				92161
?	110546	•				92035
		•				55742 SPACE SELECTOR BAR (2 REQ'D)



**NEW STYLE (ONE-PIECE) KEY BAR
WPE16 & WPE3 (LATE MODELS)**

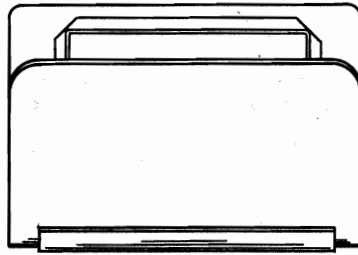


NOTE:-
THESE KEY BARS NO LONGER AVAILABLE.
WHEN ORDERING REPLACEMENTS FOR OLD STYLE
KEY BARS, ALSO DESIGNATE KEYTOP CHARACTER
DESIRED.

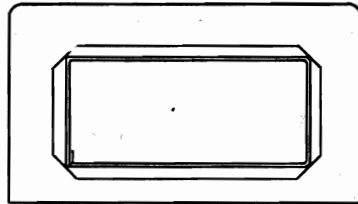
**OLD STYLE (MULTI-PIECE) KEY BAR
WPE3 (EARLY MODELS)**

KEYTOPS (CELLULOSE ACETATE)		SELECTOR BARS (CONTINENTAL CODE)				
DESCRIP-TION	PART NUMBER	CODE COMBINATION STAMPED ON BAR	USED WITH KEY BAR IN ROW			
			1 (UPPER)	2	3	4 (LOWER)
A	110500	•			55700	
B	110611	•			93865	55701
B	110501	•				
Г	110596	•		93861		
A	110605	•			55703	
E	110504	•		55704		
Ж	110606	•			93869	
З	110599	•		55963		
И	110609	•				93871
И	110593	•		93858		
K	110595	•		93859		
Л	110604	•			55711	
M	110512	•			93860	55712
H	110607	•				
O	110514	•			93868	
T	110603	•			93866	
P	110515	•			93867	
C	110502	•				93870
T	110519	•				93872
У	110594	•		55720		
Ф	110601	•			55705	
X	110623	•		93863		
Ц	110592	•		110797		
Ч	110608	•				92049
Ш	110597	•			92046	
Щ	110598	•			55716	
Ы	110602	•				93864
b	110610	•				
3	110600	•			110798	55723
Ю	110612	•				92086
Я	110607	•				92012
1	110526	•		55750		
2	110527	•		55751		
3	110528	•		55752		
4	110529	•		55753		
5	110530	•		55754		
6	110531	•		55755		
7	110532	•		55756		
8	110533	•		55757		
9	110534	•		55758		
O	110535	•		55759		
=	110536	•				93032
KOM5	110614	•				92007
		•				55742 SPACE SELECTOR BAR (2 REQ'D)

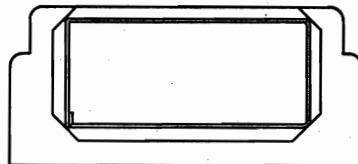
ACCESSORIES



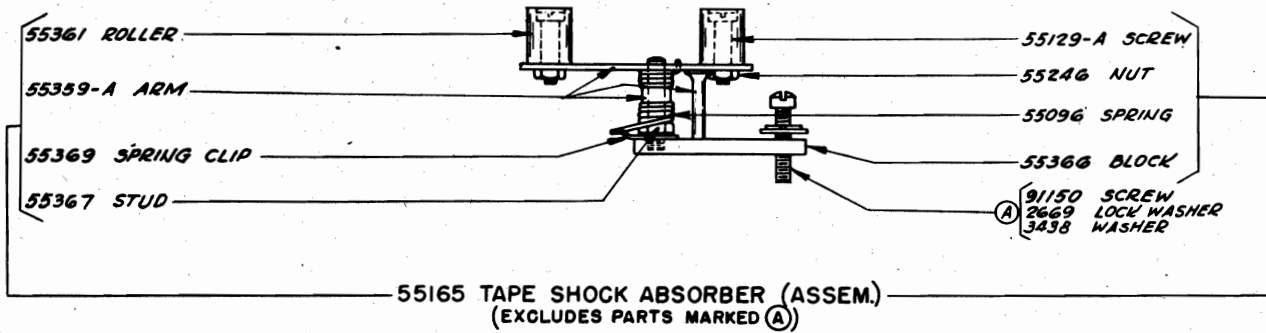
55108 MESSAGE RACK—WITH CHAD BOX
TOP VIEW
(BLACK WRINKLE)



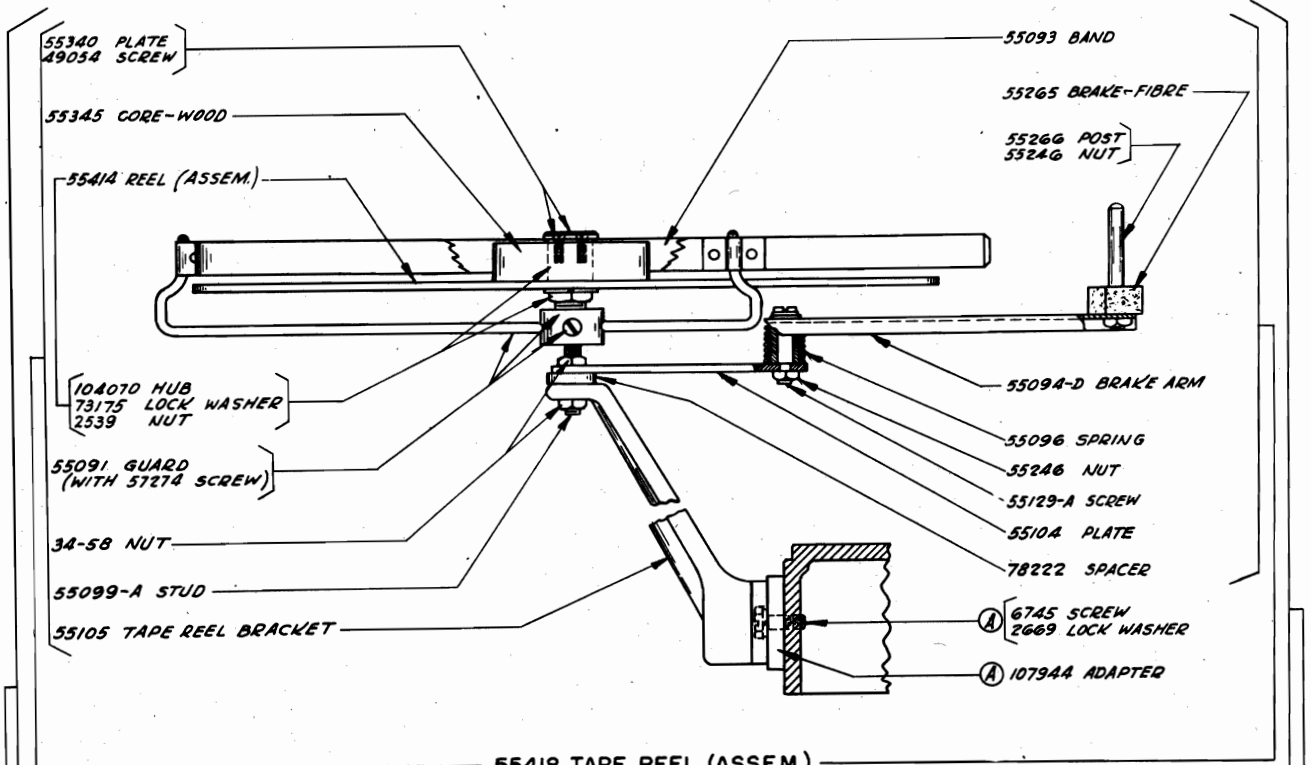
55358 CHAD BOX
TOP VIEW
(BLACK WRINKLE)



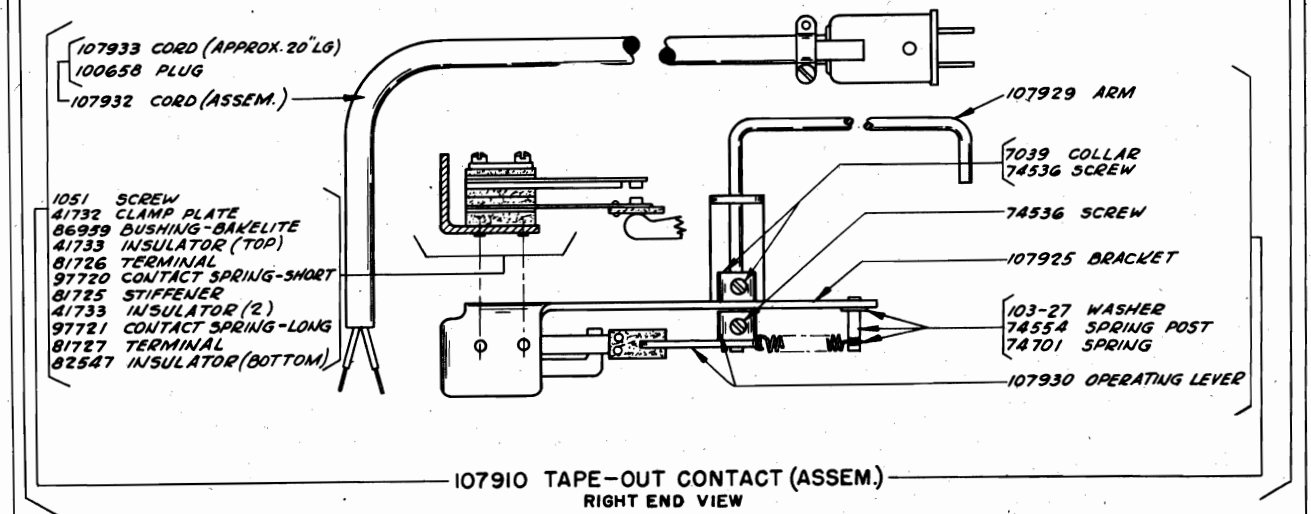
107903 CHAD BOX
TOP VIEW
(BLACK WRINKLE)



ACCESSORIES



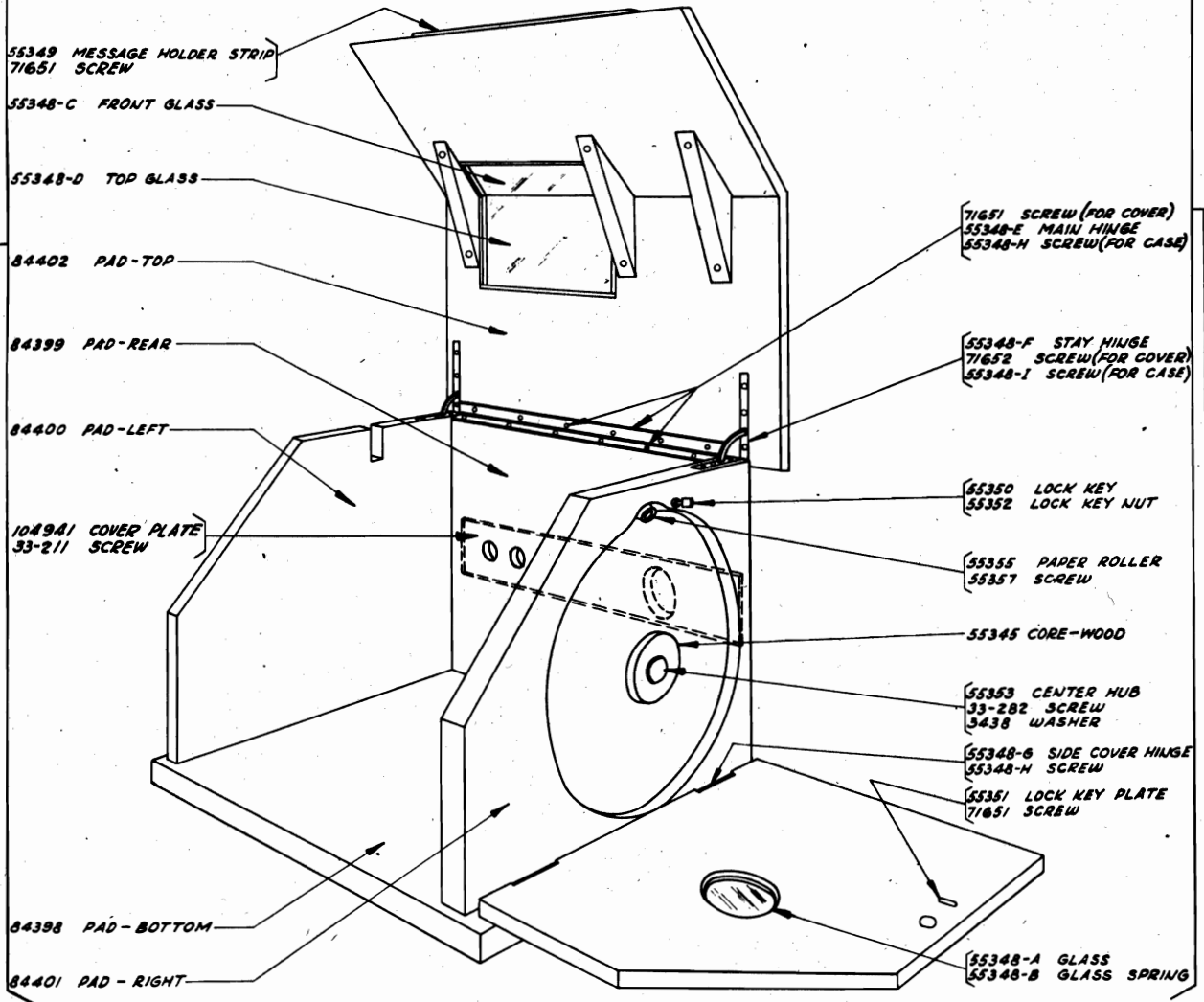
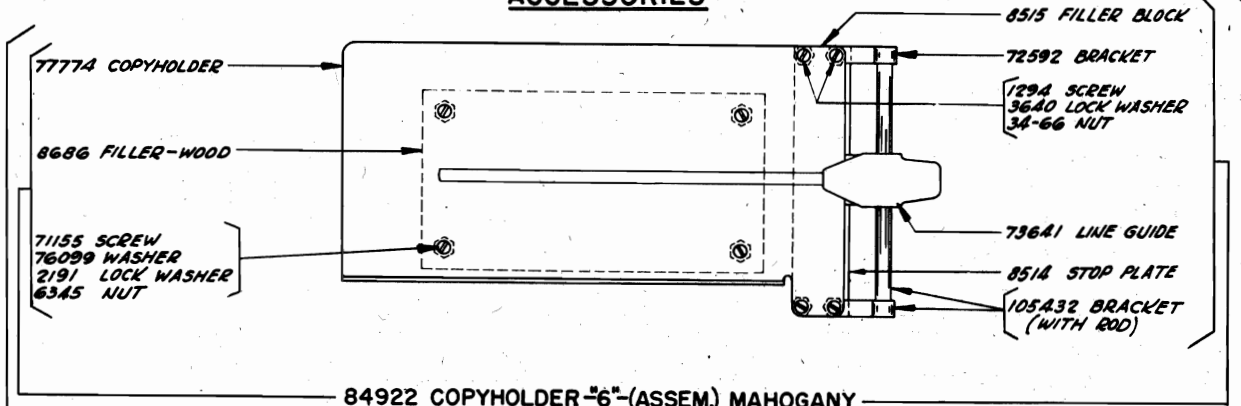
5548 TAPE REEL (ASSEM.)
REAR VIEW
(EXCLUDES PARTS MARKED (A))



107910 TAPE-OUT CONTACT (ASSEM.)
RIGHT END VIEW

107902 TAPE REEL AND TAPE-OUT CONTACT (ASSEM.)
(INCLUDES 55418, 107910 & PARTS MARKED (A))

ACCESSORIES



(A) C150 COVER (ASSEM.) - MAHOGANY

INCLUDES ALL PARTS SHOWN ON THIS PAGE, AND THE 55165 TAPE SHOCK ABSORBER (ASSEM.) & THE 55358 CHAD BOX, SHOWN ON PAGE 10.

(A) SEE PAGE 13 FOR NOTES OF EXPLANATION.

NOTES OF EXPLANATION

Pages 1 and 6

- (A) The 86727 floating lever (shown on page 1) and the 86728 floating lever lock (shown on page 6) replace the old style 55044 floating lever and 55031 floating lever lock.

The new style parts (86727 and 86728) are stamped with an "X" for identification.

A new style part cannot be used with an old style part. The new style parts (86727 and 86728) must be used together.

Page 1

- (B) In order to eliminate loosening of the 89517 stud in the end of the 55001 main lever (assem.) that engages the 55003 bell crank, the main lever and stud have been redesigned but retain the same numbers.

The new stud is longer and is provided with a hexagonal shoulder for tightening with a wrench. The new main lever is made shorter than the old one in order to accommodate the longer stud. A 2449 lock washer has been added between the main lever and the stud.

The new style stud and main lever are not individually interchangeable with the old style and must be used together.

Page 2

- (A) The 107317 "T" bar guide comb (assem.) - left, replaces the 55157-A "T" bar guide comb, 55156-B comb block, 55156-C dowels, 55296 dowels, 46046 screws, and 33-282 screws.

The 107316 "T" bar guide comb (assem.) - right, replaces the 55156-A "T" bar guide comb, 55156-B comb block, 55156-C dowels, 55296 dowels, 46093 screws, and 33-282 screws.

The old style 55157-A and 55156-A "T" bar guide combs are no longer available and should be replaced by 107317 and 107316 when necessary.

Page 5

- (A) The 95152 plunger (assem.), 95153 pin, two 95154 bearings, and two 2322 lock washers comprise a 95155 set of parts which replaces the 89216 solenoid plunger, 89094 stud, and 55210-B cotter pin.

If it is necessary to replace the 89216 solenoid plunger (which is no longer available), a 95155 set of parts should be ordered.

- (B) The 55167-D core plate has been redesigned but retains the same number. The old design had countersunk holes for 55014-F flat head screws. The new design has counterbored holes for 1121 filister head screws and 2669 lock washers. On replacement orders for the 55167-D core plate, 2 each of the 1121 screws and 2669 lock washers will also be furnished.

Page 6

- (A) See note (A) under heading "Pages 1 and 6"

- (B) The 72956 backstop and 43653 screws have replaced the 55042 backstop post. The 55042 backstop post is available for use on units equipped with the old style 55135 slide support - right (no longer available), having a tapped hole for the post type backstop.

If it is necessary to replace an old style 55135 slide support - right, a 72956 backstop and two 43653 screws should also be ordered.

Page 7

- (B) When punches are required for replacement purposes, 55033 upper punch, 55034 lower punch, and 55035 feed punch will be furnished. These punches are .00025" oversize.

Die plates and die stripper will not be supplied for replacement. If these parts become worn, it will be necessary to send the entire die and punches (assem.) to the Teletype Corporation for resharpening and refitting.

Page 8

- (A) The 107315 chad chute (assem.) has replaced the old style 55110 chad chute (assem.) which is no longer available.

The following parts (not required for the new style chad chutes) are still available for maintenance purposes on units equipped with the old style chad chutes:

55110-D Bracket	55140 Chad Chute Block
55110-E Screw (for 55110-D)	43042 Screw (for 55140)
55111 Chad Chute Cover	41354 Screw (for 55110)

Page 12

- (A) The C150 cover (assem.) - mahogany, has replaced the C110 (92902) cover (assem.) - mahogany, and differs only in that it has two small holes and one large hole drilled through the rear wall, covered with a 104941 cover plate, mounted by means of 33-211 screws.

NUMERICAL INDEX

C110	Cover (Assem.) - Mahogany,	55001	Main Lever (Assem.),	1,13	55077	4th Row,	4
C150	Cover (Assem.) - Mahogany,	55003	Bell Crank,	1,13	55078	Spacer Bar - Wood,	4
33-163	Screw (8-32 x 7/8),	55004	Spring,	1	55079-L	Spacer Key Bar - Left,	4
33-207	Screw (8-32 x 5/16),	55005	Screw (5/16-32 Special),	1	55079-R	Spacer Key Bar - Right,	4
33-211	Screw (#3 x 3/8 Wood),	55006-A	Screw (1/4-32 x 29/32),	1	55080	Bezel,	9
33-252	Screw (10-32 x 3/4),	55007-A	Screw (1/4-32 Special),	1	55081	Glass,	9
33-282	Screw (10-32 x 1/2),	55008-A	Screw (1/4-32 x 13/16),	1	"T" Bars		
33-336	Screw (6-32 x 5/8),	55009-A	Screw (5/16-32 Special),	1	55083-1		
34-58	Nut (10-32 Hex.),	55010	Screw (10-32 Shoulder),	1	55083-2		
34-66	Nut (4-36 Hex.),	55011	Bearing Bracket,	1	55083-3		
36-137	Pin,	55014-D	Screw (8-32 x 9/16),	5	55083-4		
103-27	Washer,	55014-F	Screw (10-32 x 1/2 Flat Head),	13	55083-5		
122-143	Plug,	55014-G	Dowel,	3,6	55083-6		
122-194	Packing,	55016	Link,	5	55083-7		
123-244	Washer,	55018-A	Plunger,	5	55083-8		
200-214	Shims,	55019	Nut (5/8-24 Hex.),	5	55083-9		
700-55	Screw (2-56 x 5/16 Flat head),	55021	Impact Strip,	6	55083-10		
1051	Screw (4-40 x 1/2),	55022	Spring,	6	55083-11		
1079	Screw (6-32 x 5/16),	55023	Adjusting Lever (Assem.),	1	55083-12		
1121	Screw (10-32 x 3/8),	55025-L	Punch Head Slide (Assem.) - Left,	6	55083-13		
1161	Screw (6-40 x 1/4),	55025-R	Punch Head Slide (Assem.) - Right,	6	55083-14		
1294	Screw (4-36 x 1/2),	55026-A	Screw (8-40 x 9/16),	6	55083-15		
1302	Screw (6-32 x 3/4),	55027	Rear Punch Selector Bar,	6	55083-16		
2191	Lock Washer,	55028	Front Punch Selector Bar,	6	55083-17		
2322	Lock Washer,	55028-A	Front Punch Selector Bar,	6	55083-18		
2449	Lock Washer,	55029	Spacing Hole Bar,	6	55083-20		
2539	Nut (3/8-32 Hex.),	55030-A	Dowel,	7	55083-21		
2669	Lock Washer,	55030-B	Retracting Comb (with 55030-A Dowels),	6	Connecting Bars		
3438	Washer,	55031	Floating Lever Lock,	13	55084-B1		
3640	Lock Washer,	55032	Die Block (Assem.) (Continental Code),	7	55084-A2		
3646	Lock Washer,	55033	Upper Punch,	13	55084-B3		
6745	Screw (10-32 x 1/2),	55034	Lower Punch,	13	55084-A4		
7002	Washer,	55035	Feed Punch,	13	55084-B5		
7039	Collar,	55036	Slot Cover (Assem.),	7	55084-A6		
7678	Screw (4-40 Special),	55037	Bearing,	7	55084-B7		
7897	Cotter Pin,	55039	Feed Lever,	1	55084-A8		
8333	Screw (10-32 x 3/8),	55040-A	Screw (1/4-32 Shoulder),	1	55084-B9		
8514	Stop Plate,	55042	Backstop Post,	13	55084-A10		
8515	Filler Block,	55043	Spring,	1	55084-B11		
8543	Screw (6-40 x 1/4),	55044	Floating Lever,	13	55084-A12		
8686	Filler - Wood,	55046	Floating Lever Link,	1	55084-B13		
27263	Screw (5-40 x 7/16),	55047	Intermediate Lever (with Spring Post),	1	55084-A14		
27425	Screw (.086"-56 x 5/32),	55048	Spring,	1	55084-B15		
34432	Washer,	55049-A	Screw (1/4-32 Shoulder),	1	55084-A16		
35551	Screw (10-32 x 3/8),	55050	Feed Pawl,	1	55084-B17		
41325	Nut (5-40 Hex.),	55051	Feed Pawl Link,	1	55084-A18		
41345	Nut (8-40 Hex.),	55052	Feed Pawl Lever,	1	55084-A20		
41352	Screw (5-40 x 1/4),	55052-D	Screw (2-56 x 1/8),	1,2,4,6,7	55085	Contact Bar (Assem.),	5
41354	Screw (5-40 x 1/4),	55053	Feed Pawl Spring,	1	55085-D	Screw (4-36 x 5/16),	5
41558	Screw (2-56 x 1/4),	55055	Link Pin,	1	55086	Contact Spring,	5
41667	Screw (5-40 x 3/16),	55057	Feed Wheel and Ratchet,	1	55088	Key Bar Spring,	2
41673	Screw (4-36 x 1/4),	55058	Screw (10-32 x 17/64),	1	55089	Key Bar Spring,	2
41732	Clamp Plate,	55059	Bracket,	1	55090	Spring,	2
41733	Insulator,	55060-A	Screw (8-40 x 3/4),	1	55091	Guard (with 57274 Screw),	11
41983	Screw (8-32 x 5/8),	55062	Feed Wheel Locking Arm (Assem.),	1	55093	Band,	11
42175	Nut (1/4-32 Hex.),	55062-G	Locking Arm,	1	55094-D	Brake Arm,	11
43042	Screw (5-40 x 3/4),	55063	Spring,	1	55096	Spring,	10,11
43551	Screw (5-40 x 5/16),	55065	Screw (3/8-27 Special),	1	55099-A	Stud,	11
43633	Screw (5-40 x 3/16),	55066	Pressure Block,	1	55101	Condenser - 1 MF.,	5
43653	Screw (5-40 x 5/16),	55067	Pressure Block Arm,	1	55102	Resistor - 4-1/2 Ohms,	5
43824	Screw (3-48 x 3/16),	55068	Screw (10-32 x 1/4),	1	55103	Condenser Unit (Assem.),	5
43838	Cotter Pin,	55070	Spring,	1	55104	Plate,	11
44048	Washer,	55071-A	Front Guide,	1	55105	Tape Reel Bracket,	11
46046	Screw (8-32 x 5/16),	55071-B	Rear Guide,	1	55106	Cover - Side and Rear (with 55106-A Felt),	8
46093	Screw (8-32 x 1/4),	55072	Die Paper Guide (Assem.),	7	55106-A	Felt,	8
47024	Washer,	55072-A	Guide,	7	55107	Cover - top (with 55107-A Felt),	8
49054	Screw (2-56 x 3/16),	55072-B	Plate - Fibre,	7	55107-A	Felt,	8
49084	Spring,	55073	Combination Key (Assem.),	1	55108	Message Rack (with Chad Box),	10
49214	Screw (14-24 x 5/8),	Key Bars			55110	Chad Chute (Assem.),	13
49514	Nut (8-32 Hex.),	55074	1st Row,	4	55110-D	Bracket,	13
49538	Screw (6-32 x 9/32),	55075	2nd Row,	4	55110-E	Screw (2-56 x 1/8),	13
49612	Screw (8-32 x 9/16),	55076	3rd Row,	4	55111	Chad Chute Cover,	13
					55112	Guide Block,	6
					55129-A	Screw (6-32 Shoulder),	10,11
					55133	Washer - Fibre,	5
					55135	Slide Support - Right,	6,13
					55136	Slide Support - Left,	6
					55137	Stop Screw Block,	1

NUMERICAL INDEX

55138	Bell Crank Stop,1	55273	Screw (14-24 Special),5	55701	Row #4	Selector Bars
55140	Chad Chute Block,13	55274	Guide Plate,5	55702	Row #4	9
55142	Rear Post - Right,2	55275	Insulator,5	55703	Row #3	
55143	Rear Post - Left,2	55276	Insulator,5	55704	Row #2	
55144	Supporting Rod,2	55279	Adjusting Block,1	55705	Row #3	
55145-B	Supporting Comb,2	55282	Pivot Block,1	55706	Row #3	
55145-C	Dowel,6	55283	Screw (8-40 Shoulder),1	55707	Row #3	
55145-F	Comb Stripper,2	55284	Screw (5-40 x 7/8),6	55708	Row #2	
55148	Front Post - Right,2,4	55285	Screw (8-32 x 5/8),1	55709	Row #3	
55149	Front Post - Left,2,4	55286	Screw (8-32 x 7/8),1,2	55710	Row #3	
55150	Key Bar Comb (Assem.),4	55289	Screw (1/4-24 x 3/4),1	55711	Row #3	
55150-C	Plate,4	55290	Washer - Brass,1	55712	Row #4	
55150-D	Shaft,4	55291	Screw (10-32 x 3/4),1,6	55713	Row #4	
55150-G	Key Bar Comb,4	55292	Screw (10-32 x 7/16),2,4	55714	Row #2	
55151-A	Guard,2	55293	Screw (10-32 x 11/16),2	55715	Row #2	
55152	Key Bar Stop - Wood,3	55296	Dowel,13	55716	Row #2	
55153	Key Bar Stop,2	55297	Screw (6-32 x 5/16),6	55717	Row #2	
55155	"T" Bar Guide Comb,2	55298	Spring Post,1	55718	Row #3	
55156-A	"T" Bar Guide Comb,13	55302	Punch Head,6	55719	Row #2	
55156-B	Comb Block,13	55304	Guide Block,6	55720	Row #2	
55156-C	Dowel,13	55305	Stop Plate,6	55721	Row #4	
55157-A	"T" Bar Guide Comb,13	55308	Selector Guide Plate (with 55014-G Dowels),6	55722	Row #2	
55159	Spring Bracket,2	55309	Screw (6-32 x 1/2),1	55723	Row #4	
55160	Contact Bracket,2	55310	"T" Bar Supporting Comb,3	55724	Row #2	
55161	Terminal Block (Assem.),3	55311	Bracket,3	55725	Row #4	
55165	Tape Shock Absorber (Assem.),10	55312	Shaft,3	55742	Selector Bar - Space,9	
55166	Coil - 110 Volts,5	55318	Screw (6-32 x 1/4),3		Selector Bars	
55167-A	Plate - Upper,5	55319	Block,3	55750	Row #1	
55167-B	Plate - Lower,5	55320	Screw (8-32 x 7/16),2,3,5	55751	Row #1	
55167-C	Plate - Side,5	55323	Screw (8-32 x 1/2),2	55752	Row #1	
55167-D	Core Plate,5,13	55324	Screw (8-32 x 11/16),2	55753	Row #1	
55169	Core (Assem.),5	55327	Insulator - Upper,2	55754	Row #1	
55169-A	Core,5	55328	Insulator - Lower,2	55755	Row #1	
55169-B	Pin,5	55329	Bushing - Bakelite,2	55756	Row #1	
55202	Nut (3/8-27 Hex.),1	55331	Post,3	55757	Row #1	
55205	Oil Tube,1	55335	Screw (8-32 x 5/16),3	55758	Row #1	
55210	Plunger Link Stud,1	55336	Washer,3	55759	Row #1	
55210-A	Washer,1	55338	Key Bar Comb - Front,2	55953	Selector Bar - Row #2,9	
55210-B	Cotter Pin,13	55340	Plate,11	57274	Screw (6-32 x 1/2),11	
55212	Spring Post,1,6	55342	Spacer Block - Right,5	60091	Screw (8-32 x 3/8),2,3	
55213	Lever Post,1	55343	Spacer Block - Left,5	71155	Screw (6-32 x 1-1/4),12	
55215	Screw (8-32 x 11/16),1	55345	Core - Wood,11,12	71647	Shim,3,4	
55216	Nut (10-32 Hex.),1	55347	Power Cord (Assem.),8	71651	Screw (#4 x 3/8 Wood),12	
55217	Backstop,6	55347-A	Cord,8	71652	Screw (#3 x 3/8 Wood),12	
55219	Screw (8-32 x 3/8),6	55348-A	Glass,12	71858	Washer,2	
55221	Washer,6	55348-B	Glass Spring,12	72468	Spring,4	
55222	Screw (3-48 x 1/4),6	55348-C	Front Glass,12	72592	Bracket,12	
55224	Liner,6	55348-D	Top Glass,12	72956	Backstop,6,13	
55226	Dowel,6	55348-F	Stay Hinge,12	73008	Washer,1	
55227	Shaft,7	55348-G	Side Cover Hinge,12	73009	Washer,1,8	
55228	Spring,7	55348-H	Screw (#4 x 1/2 Wood),12	73175	Lock Washer,11	
55229	Screw (1/64 x 1/8),7	55348-I	Screw (#3 x 1/2 Wood),12	73235	Screw (6-40 x 7/8),3	
55235	Screw (10-32 x 1/2),7	55349	Message Holder Strip,12	73641	Line Guide,12	
55237	Screw (6-32 x 21/32),7	55350	Lock Key,12	74536	Screw (6-40 x 5/32),11	
55238	Pillar Block,7	55351	Lock Key Plate,12	74554	Spring Post,11	
55240	Screw (8-32 x 17/32),1	55352	Lock Key Nut,12	74701	Spring,11	
55241	Bearing,1	55353	Center Hub,12	76099	Washer,8,12	
55245	Nut (5/16-32 Hex.),1	55355	Paper Roller,12	77774	Copyholder,12	
55246	Nut (6-32 Hex.),10,11	55357	Screw (#7 x 5/8 Wood),12	78020	Nut (3-56 Hex.),7	
55248	Screw (10-32 Shoulder),1	55358	Chad Box,10	78103	Screw (6-40 x 1-3/16),3	
55249	Stud,1	55359-A	Arm,10	78222	Spacer,11	
55250	Bracket,1	55361	Roller,10	78566	Set Pin,1	
55251	Combination Key,1	55366	Block,10	78701	Roller,1	
55252	Pin,1	55367	Stud,10	81725	Stiffener,11	
55253	Spring,1	55369	Spring Clip,10	81726	Terminal,11	
55255	Connecting Link - Upper,2	55397	Screw (14-24 x 3/4),2,3	82392	Shim,1	
55256	Connecting Link - Lower,2	55400	Screw (3/8-27 Shoulder),1	82547	Insulator,11	
55257	Nut (3-56 Hex.),2	55402	Adjusting Lever,1	84398	Pad - Bottom,12	
55258	Extension Plate,2	55403	Post,1	84399	Pad - Rear,12	
55259	Screw (#3 x 3/8 Wood),4	55404-L	Punch Head Slide - Left,6	84400	Pad - Left,12	
55260	Screw (#9 x 1-1/4 Wood),3	55404-R	Punch Head Slide - Right,6	84401	Pad - Right,12	
55261	Holder,5	55406	Feed Wheel Stud,1	84402	Pad - Top,12	
55263	Nut (8-32 Special),2	55408	Cover,7	84592	Shim,1	
55265	Brake - Fibre,11	55411	Liner,7	84922	Copyholder - 6" (Assem.) - Mahogany,12	
55266	Post,11	55414	Reel (Assem.),11	85098	Spacer Bar - Bakelite,4	
55267	Spacer,2	55418	Tape Reel (Assem.),11	86727	Floating Lever,1,13	
55268	Spacer,2	55447	Guide,4	86728	Floating Lever Lock,6,13	
55271	Bracket,5		Selector Bars	86959	Bushing - Bakelite,11	
55272	Strap,5	55700	Row #3, 9			

NUMERICAL INDEX

87012 Foot, 3
89094 Stud, 13
89216 Solenoid Plunger, 13
89517 Stud, 1, 13
90264 Shim, 5
90791 Lock Washer, 4
91150 Screw (10-32 x 1-9/16),
5, 10

Selector Bars
92007 Row #4
92012 Row #4
92015 Row #4
92018 Row #3
92021 Row #4
92035 Row #4
92046 Row #2
92049 Row #4
92086 Row #4
92161 Row #2
92163 Row #2
92174 Contact Bar, 5
92175 "S" Pin, 1
92296 Screw (8-32 Contact), 2

Upper Front Links
92955 #1
92956 #2
92957 #3
92958 #4
92959 #5
92960 #6
92961 #7
92962 #8
92963 #9
92964 #10

Upper Rear Links
92965 #1
92966 #2
92967 #3
92968 #4
92969 #5
92970 #6
92971 #7
92972 #8
92973 #9

Lower Front Links
92974 #1
92975 #2
92976 #3
92977 #4
92978 #5
92979 #6
92980 #7
92981 #8
92982 #9
92983 #10

Lower Rear Links
92984 #1
92985 #2
92986 #3
92987 #4
92988 #5
92989 #6
92990 #7
92991 #8
92992 #9

93032 Selector Bar - Row #4, 9

Selector Bars
93858 Row #2
93859 Row #2
93860 Row #2
93861 Row #2
93863 Row #2

Selector Bars
93864 Row #3
93865 Row #3
93866 Row #3
93867 Row #3
93868 Row #3
93869 Row #3
93870 Row #4
93871 Row #4
93872 Row #4
94520 Lock Washer, 8
94619 Plate, 2
95152 Plunger (Assem.), 5, 13
95153 Pin, 5, 13
95154 Bearing, 5, 13
95155 Set of Solenoid Plunger
Parts, 13
95156 Plunger, 5
97720 Contact Spring, 11
97721 Contact Spring, 11
100658 Plug, 11
104070 Hub, 11
104941 Cover Plate, 12, 13
105207 Screw (6-32 x 1/4), 6
105208 Guide Block and Comb
(Assem.), 6
105432 Bracket (with Rod), 12
107164 Cover - Transparent, 8
107165 Chad Chute, 8
107278 Spacing Key Bar, 4
107315 Chad Chute (Assem.), 8, 13
107316 "T" Bar Guide Comb (Assem.),
Right, 2, 13
107317 "T" Bar Guide Comb (Assem.),
Left, 2, 13
107318 "T" Bar Guide Comb - Right, 2
107319 "T" Bar Guide Comb - Left, 2
107902 Tape Reel and Tape-Out
Contact (Assem.), 11
107903 Chad Box, 10
107910 Tape-Out Contact (Assem.), 11
107911 Spacer Block - Right, 4
107912 Spacer Block - Left, 4
107913 Key Bar Comb - Front, 2, 4
107914 Guard, 2
107915 Link Guide, 4
107916 Key Bar Link, 4
107918 Retainer - Lower, 4
107919 Retainer - Upper, 4
107920 Shim (.014"), 3
107921 Shim (.035"), 3
107922 Foot - Front, 3
107923 Foot - Rear, 3
107924 Chad Shield, 8
107925 Bracket, 11
107929 Arm, 11
107930 Operating Lever, 11
107932 Cord (Assem.), 11
107933 Cord, 11
107934 Combination Key Bar Link, 4
107937 Shoulder Stud, 4
107938 Latch Bracket (with 107940
Latch and 107937 Shoulder
Stud), 4
107940 Latch, 4
107942 Combination Release Link, 4
107944 Adapter, 3, 11
107947 Spring, 4
107948 Screw (10-32 x 3/4), 4

110500 Keypops
(Cellulose Acetate)

Keypops
(Cellulose Acetate)
110501 (B)
110502 (C)
110503 (D)
110504 (E)
110505 (F)
110506 (G)
110507 (H)
110508 (I)
110509 (J)
110510 (K)
110511 (L)
110512 (M)
110513 (N)
110514 (O)
110515 (P)
110516 (Q)
110517 (R)
110518 (S)
110519 (T)
110520 (U)
110521 (V)
110522 (W)
110523 (X)
110524 (Y)
110525 (Z)
110526 (1)
110527 (2)
110528 (3)
110529 (4)
110530 (5)
110531 (6)
110532 (7)
110533 (8)
110534 (9)
110535 (0)
110536 ()
110537 ()
110538 (BLANK)
110539 (COMB)
110540 (AR)
110542 ()
110546 (?)
110592 (L)
110593 (Я)
110594 (У)
110595 (К)
110596 (Ш)
110597 (Щ)
110598 (Э)
110599 (Ё)
110600 (З)
110601 (Ф)
110602 (Ы)
110603 (П)
110604 (Д)
110605 (Л)
110606 (Ж)
110607 (Я)
110608 (Ч)
110609 (И)
110610 (б)
110611 (Б)
110612 (Ю)
110614 (КОМБ)
110797 Selector Bar - Row #2, 9
110798 Selector Bar - Row #3, 9
110916 "T" Bar Guide, 2
111055 Spring Bar, 2