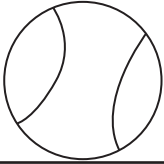


# Rhyming Words Worksheet


Name \_\_\_\_\_

Trace the words in the boxes. Find the two words that rhyme in each row.  
Put check marks in the little square boxes next to each image that rhymes.



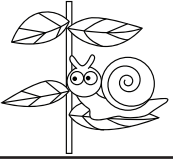
---

b o a l l




---

f o l l




---

s n a i l



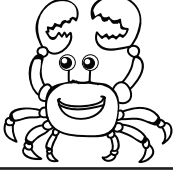
---

c a b



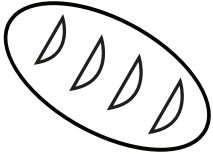
---

t u b




---

c r a b




---

b r e a d




---

h a n d




---

b e d



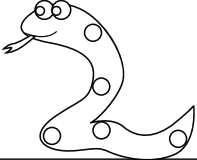
---

y a k



---

c a k e



---

s n a k e