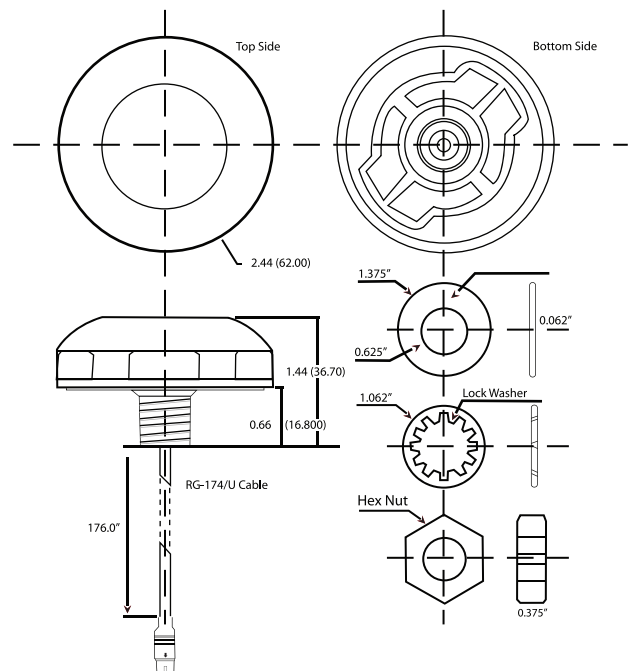


MR-350PS4

GPS Receiver

- SiRF Star IV Chipset
- 48-Channel All-In-View Tracking
- NMEA 0183 GPS Protocol
- WAAS/ EGNOS Support
- 2.44" x 0.82" (Exposed Housing)
- USB or RS232 Interface Cable Sets Available
- IPX7 Rated Water Resistant Design



The MR-350PS4 is a SiRF IV "mini" external GPS receiver, which utilizes a bulkhead (through-hole) mounting design for applications that require a more permanent weatherproof mounting solution. The enclosed GPS receiver is self-contained with an active patch antenna and utilizes the latest 48-channel SiRF Star IV high performance GPS chipset for accurate positioning.

The extended 14.75' cable allows for easy routing behind the headliner and side panels, terminating into a proprietary pin-out on a PS/2 connector for easy interface with your host device when using our USB or RS232 cable sets. (Cable sets are sold separately). The MR-350PS4 can be used in a wide variety of applications including commercial fleet/utility vehicles, police and fire trucks, boats and specialty equipment.



Serial GPS Receiver

Performance Specifications

General.....L1 (1575.42MHz) frequency C/A code
48 channel all-in-view-tracking receiver

Accuracy......5 meters 2D RMS (WAAS enabled)
10 meters, 2D RMS, (WAAS disabled)

Acquisition.....Reacquisition: 0.1 sec. average
hot start: 1 sec., average
warm start: 35 sec., average
cold start: 35 sec., average

Protocol

PPS output.....1uS(microsecond) pulse every second at 2.85v with 3D GPS Fix

GPS Protocol.....Default: NMEA 0183 (Secondary: SiRF binary)

GPS Output Data.....SiRF binary >> position, velocity, altitude,
status and control NMEA 0183 MEA0183 V2.2 protocol
Software command setting

GPS transfer rate.....(Default :4800,n,8,1 for NMEA)

Connection.....Requires Optional Cable Set
USB: #BR305-USB8
RS232: #BR305-RS232

Electrical Characteristics

Prime Power.....4.5V - 6.5V DC Input (USB or PS/2)

Power Consumption.....80mA

Environmental Specifications

Operation Temperature.....-40°~ 185°F (-40°~ 85°C)

Physical Characteristics

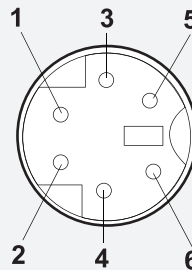
Enclosure.....Durable Polycarbonate

Housing Dimensions.....2.44"x0.82" (exposed housing)
(62mm x 21mm)

Cable Length.....177" (terminates to PS/2)
(4,496mm)

Weight.....4.4oz(173.74 grams)

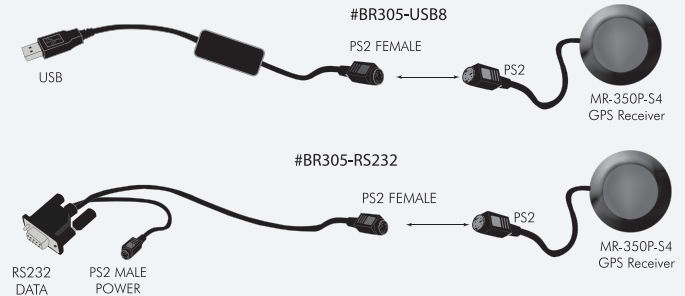
PACKAGE CONTENTS:



PS/2 Mini DIN 6-Pin Male Connector

Color	Function	Pin
Black	GND	1
Red	VCC	2
Yellow	PPS	3
White	RX	4
Green	TX	5
-----	N/C	6

Optional Cable Set Adapters



	ADAPTERS	
SERIAL	48 CHANNEL	WIN
	SiRF IV	MAC

Taiwan
 GLOBALSAT INCORPORATED
 16F, No. 186, Jian Yi Road, Chung Ho City
 Taipei Hsien, Taiwan
 T: +866-2-82263799 F: +866-2-82263899
 globalsat.com.tw service@globalsat.com.tw

North America
 USGLOBALSAT, INC.
 14740 Yorba Court
 Chino, CA 91710
 T: +909-597-8525 F: +909-597-8532
 usglobalsat.com sales@usglobalsat.com

CE FC Canada 210 Bluetooth MR-350P-S4 Made in Taiwan
 GLOBALSAT TECHNOLOGY CORPORATION
 ©2013 Globalsat WorldCom Corporation. All rights reserved.
 All trademarks, tradenames & brands are registered to their respective owners.

MR350PS4-DS06122013A