



**JETSKI**  
watercraft®

**X-2**



# **JET SKI® Watercraft Service Manual**



**JETSKI**<sup>®</sup> *watercraft* is a trademark of Kawasaki Heavy Industries, Ltd. registered in U.S.A., Japan, Austria, Benelux, Sweden, Denmark, Switzerland, France, Canada, Finland, Norway, Greece, Italy, U.K., Portugal, Thailand, and Taiwan.

**KAWASAKI JET SKI** is a trademark of Kawasaki Heavy Industries, Ltd. registered in Australia.

# Quick Reference Guide

<b>General Information</b>	<b>1</b>
<b>Periodic Maintenance</b>	<b>2</b>
<b>Fuel System</b>	<b>3</b>
<b>Exhaust System</b>	<b>4</b>
<b>Engine Top End</b>	<b>5</b>
<b>Engine Removal/Installation</b>	<b>6</b>
<b>Engine Bottom End</b>	<b>7</b>
<b>Cooling and Bilge Systems</b>	<b>8</b>
<b>Drive System</b>	<b>9</b>
<b>Pump and Impeller</b>	<b>10</b>
<b>Steering</b>	<b>11</b>
<b>Hull/Engine Hood</b>	<b>12</b>
<b>Electrical System</b>	<b>13</b>
<b>Storage</b>	<b>14</b>
<b>Appendix</b>	<b>15</b>

This quick reference guide will assist you in locating a desired topic or procedure.

- Bend the pages back to match the black tab of the desired chapter number with the black tab on the edge at each table of contents page.
- Refer to the sectional table of contents for the exact pages to locate the specific topic required.





# JET SKI® Watercraft Service Manual

---

All rights reserved. No parts of this publication may be reproduced, stored in a retrieval system, or transmitted in any form or by any means, electronic mechanical photocopying, recording or otherwise, without the prior written permission of Quality Division/Consumer Products and Machinery Company/Kawasaki Heavy Industries, Ltd., Japan.

No liability can be accepted for any inaccuracies or omissions in this publication, although every possible care has been taken to make it as complete and accurate as possible.

The right is reserved to make changes at any time without prior notice and without incurring an obligation to make such changes to products manufactured previously. See your "JET SKI" watercraft dealer for the latest information on product improvements incorporated after this publication.

All information contained in this publication is based on the latest product information available at the time of publication. Illustrations and photographs in this publication are intended for reference use only and may not depict actual model component parts.

## LIST OF ABBREVIATIONS

A	ampere(s)	lb	pound(s)
ABDC	after bottom dead center	m	meter(s)
AC	alternating current	min	minute(s)
ATDC	after top dead center	N	newton(s)
BBDC	before bottom dead center	Pa	pascal(s)
BDC	bottom dead center	PS	horsepower
BTDC	before top dead center	psi	pound(s) per square inch
°C	degree(s) Celsius	r	revolution
DC	direct current	rpm	revolution(s) per minute
F	farad(s)	TDC	top dead center
°F	degree(s) Fahrenheit	TIR	total indicator reading
ft	foot, feet	V	volt(s)
g	gram(s)	W	watt(s)
h	hour(s)	Ω	ohm(s)
L	liter(s)		

**Read OWNER'S MANUAL before operating.**

## MAINTENANCE AND ADJUSTMENTS

Maintenance, replacement, or repair of the emission control devices and systems may be performed by any marine SI engine repair establishment or individual.

## EMISSION CONTROL INFORMATION

### Fuel Information

THIS ENGINE IS CERTIFIED TO OPERATE ON UNLEADED REGULAR GRADE GASOLINE ONLY.

A minimum of 87 octane of the antiknock index is recommended. The antiknock index is posted on service station pumps.

### Emission Control Information

To protect the environment in which we all live, Kawasaki has incorporated an exhaust emission control system in compliance with applicable regulations of the United States Environmental Protection Agency.

### Exhaust Emission Control System

This system reduces the amount of pollutants discharged into the atmosphere by the exhaust of this engine. The fuel, ignition and exhaust systems of this engine have been carefully designed and constructed to ensure an efficient engine with low exhaust pollutant levels.

### Maintenance

Proper maintenance and repair are necessary to ensure that watercraft will continue to have low emission levels. This Service Manual contains those maintenance and repair recommendations for this engine. Those items identified by the Periodic Maintenance Chart are necessary to ensure compliance with the applicable standards.

### Tampering with Emission Control System Prohibited

Federal law prohibits the following acts or the causing thereof: (1) the removal or rendering inoperative by any person other than for purposes of maintenance, repair, or replacement, of any device or element of design incorporated into any new engine for the purposes of emission control prior to its sale or delivery to the ultimate purchaser or while it is in use, or (2) the use of the engine after such device or element of design has been removed or rendered inoperative by any person.

Among those acts presumed to constitute tampering are the acts listed below:

Do not tamper with the original emission related parts.

- \* CDI Ignition System
- \* Flame Arrester
- \* Fuel Filter Screen
- \* Spark Plugs
- \* Carburetor and internal parts

# Foreword

This manual is designed primarily for use by trained mechanics in a properly equipped shop. However, it contains enough detail and basic information to make it useful to the owner who desires to perform his own basic maintenance and repair work. A basic knowledge of mechanics, the proper use of tools, and workshop procedures must be understood in order to carry out maintenance and repair satisfactorily. Whenever the owner has insufficient experience or doubts his ability to do the work, all adjustments, maintenance, and repair should be carried out only by qualified mechanics.

In order to perform the work efficiently and to avoid costly mistakes, read the text, thoroughly familiarize yourself with the procedures before starting work, and then do the work carefully in a clean area. Whenever special tools or equipment are specified, do not use makeshift tools or equipment. Precision measurements can only be made if the proper instruments are used, and the use of substitute tools may adversely affect safe operation.

**For the duration of the warranty period,** we recommend that all repairs and scheduled maintenance be performed in accordance with this service manual. Any owner maintenance or repair procedure not performed in accordance with this manual may void the warranty.

To get the longest life out of your "JET SKI" watercraft:

- Follow the Periodic Maintenance Chart in the Service Manual.
- Be alert for problems and non-scheduled maintenance.
- Use proper tools and genuine Kawasaki "JET SKI" watercraft parts. Special tools, gauges, and testers that are necessary when servicing Kawasaki "JET SKI" watercraft are introduced by the Service Manual. Genuine parts provided as spare parts are listed in the Parts Catalog.
- Follow the procedures in this manual carefully. Don't take shortcuts.
- Remember to keep complete records of maintenance and repair with dates and any new parts installed.

---

## How to Use This Manual

---

In this manual, the product is divided into its major systems and these systems make up

the manual's chapters. The Quick Reference Guide shows you all of the product's system and assists in locating their chapters. Each chapter in turn has its own comprehensive Table of Contents.

For example, if you want ignition coil information, use the Quick Reference Guide to locate the Electrical System chapter. Then, use the Table of Contents on the first page of the chapter to find the Ignition Coil section.

Whenever you see these WARNING and CAUTION symbols, heed their instructions! Always follow safe operating and maintenance practices.

### **WARNING**

**This warning symbol identifies special instructions or procedures which, if not correctly followed, could result in personal injury, or loss of life.**

### **CAUTION**

**This caution symbol identifies special instructions or procedures which, if not strictly observed, could result in damage to or destruction of equipment.**

This manual contains four more symbols (in addition to WARNING and CAUTION) which will help you distinguish different types of information.

### **NOTE**

○ *This note symbol indicates points of particular interest for more efficient and convenient operation.*

- Indicates a procedural step or work to be done.
- Indicates a procedural sub-step or how to do the work of the procedural step it follows. It also precedes the text of a NOTE.
- ★ Indicates a conditional step or what action to take based on the results of the test or inspection in the procedural step or sub-step it follows.

In most chapters an exploded view illustration of the system components follows the Table of Contents. In these illustrations you will find the instructions indicating which parts require specified tightening torque, oil, grease or a locking agent during assembly.



# General Information

## Table of Contents

Before Servicing .....	1-2
Model Identification.....	1-9
General Specifications.....	1-10
Unit Conversion Table .....	1-12

## 1-2 GENERAL INFORMATION

### Before Servicing

Before starting to service a watercraft, careful reading of the applicable section is recommended to eliminate unnecessary work. Photographs, diagrams, notes, cautions, warnings, and detailed descriptions have been included wherever necessary. Nevertheless, even a detailed account has limitations, a certain amount of basic knowledge is also required for successful work.

#### Adjustments

Adjustments shall be made in accordance with the Periodic Maintenance Chart or whenever troubleshooting or presence of symptoms indicate that adjustments may be required. Whenever running of the engine is required during maintenance it is best to have the watercraft in water.

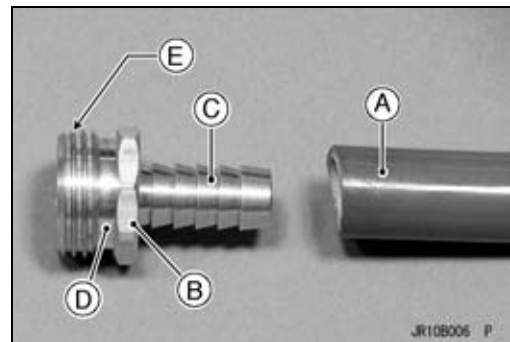
#### CAUTION

**Do not run the engine without cooling water supply for more than 15 seconds, especially in high revolutionary speed or severe engine and exhaust system damage will occur.**

#### Auxiliary Cooling

An auxiliary cooling supply may be used if the watercraft cannot be operated in water during adjustments. If possible, always operate the watercraft in water rather than use an auxiliary cooling supply.

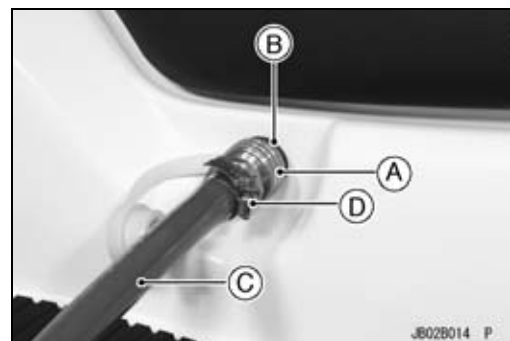
- Obtain a standard garden hose [A] and a garden hose adapter [B] as shown.
  - C. Garden Hose Fitting of Adapter
  - D. Flushing Fitting of Adapter
  - E. Thread: Rp 3/4
- A hose adapte (P/No. 92005-3746) is supplied with a completed boat.



- Remove the flushing cap [A] at the lower left of the seat.



- Screw a garden hose adapter [A] onto the flushing fitting [B].
- Attach a garden hose [C] to a garden hose adapter and secure the hose clamp [D].



**Before Servicing**

- Attach the garden hose to a faucet. Do not turn on the water until the engine is running and turn it off immediately when the engine stops.

**Required cooling water for the engine**

2.4 L/min (2.5 gts/min) @1 800 rpm

7.0 L/min (7.4 gts/min) @6 000 rpm

**CAUTION**

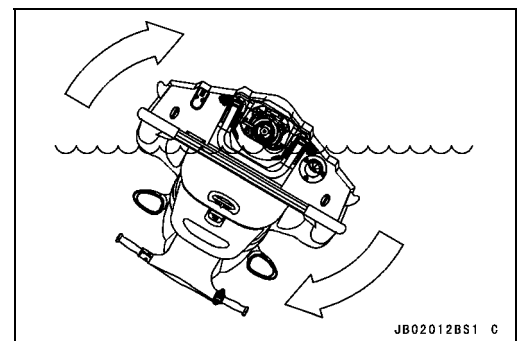
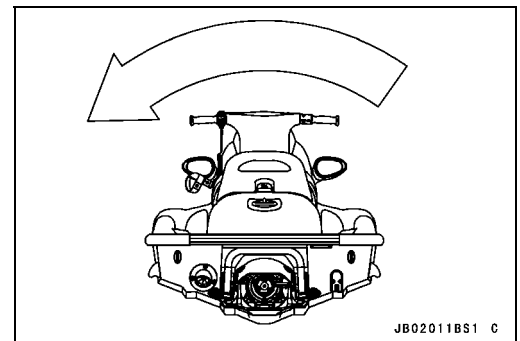
Insufficient cooling supply will cause the engine and/or exhaust system to overheat and severe damage will occur. Excessive cooling supply may kill the engine and flood the cylinders, causing hydraulic lock. Hydraulic lock will cause severe damage to the engine. If the engine dies while using an auxiliary cooling supply, the water must be shut off immediately.

**CAUTION**

Always turn the boat on its left side. Rolling to the right side can cause water in the exhaust system to run into the engine, with possible engine damage.

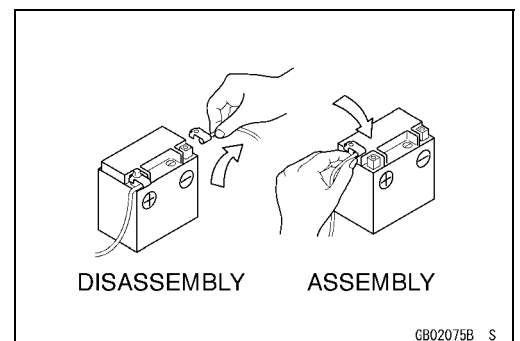
**CAUTION**

Turn the capsized boat clockwise so that the port side always faces downward. Turning counter-clockwise can cause water in the exhaust system to run into the engine, with possible engine damage.



**Battery Leads**

Before completing any service on the watercraft, disconnect the battery cables from the battery to prevent the engine from accidentally turning over. Disconnect the ground cable (–) first and then the positive (+). When completed with the service, first connect the positive (+) cable to the positive (+) terminal of the battery then the negative (–) cable to the negative terminal.

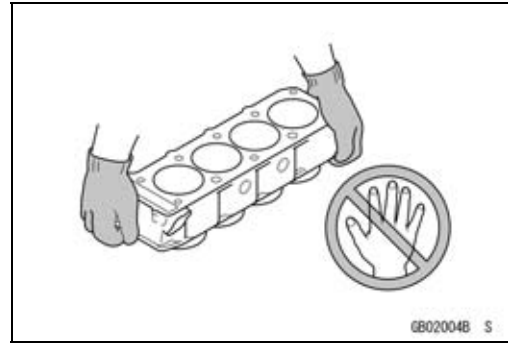


# 1-4 GENERAL INFORMATION

## Before Servicing

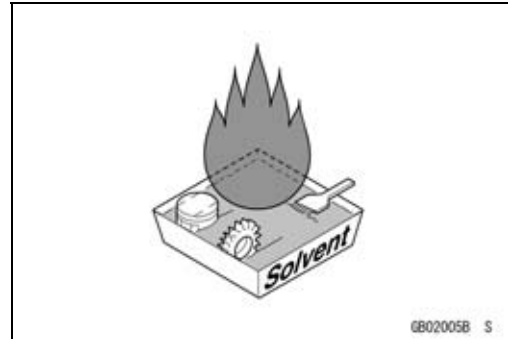
### Edges of Parts

Watch for sharp edges, as they could cause injury through careless handling, especially during major engine disassembly and assembly. Wear gloves when lifting the engine or turning it over.



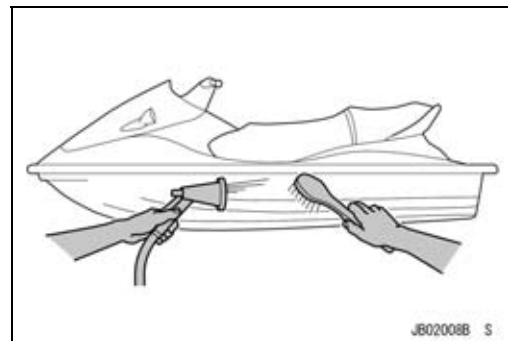
### Cleaning solution

Use a high flush point cleaning solution when cleaning parts. High-flush point cleaning solution should be used according to directions of the cleaning solution manufacturer.



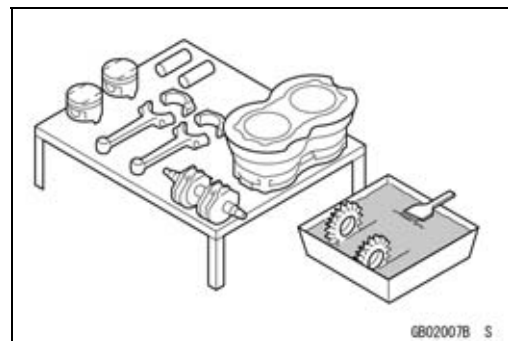
### Cleaning Watercraft before Disassembly

Before removal and disassembly, clean the watercraft. Dirt or other foreign materials entering the engine during watercraft disassembly can cause excessive wear and decrease performance of the watercraft. For the same reason, before installing a new part, clean off any dust or metal filings.



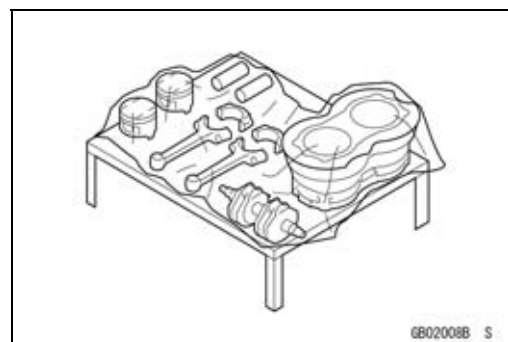
### Arrangement and Cleaning of Removed Parts

Disassembled parts are easy to confuse. Arrange the parts according to the order the parts were disassembled and clean the parts in order prior to assembly.



### Storage of Removed Parts

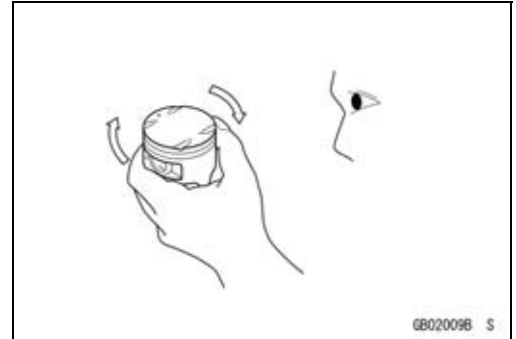
Disassembled parts are easy to confuse. Arrange the parts according to the order the parts were disassembled and clean the parts in order prior to assembly.



## Before Servicing

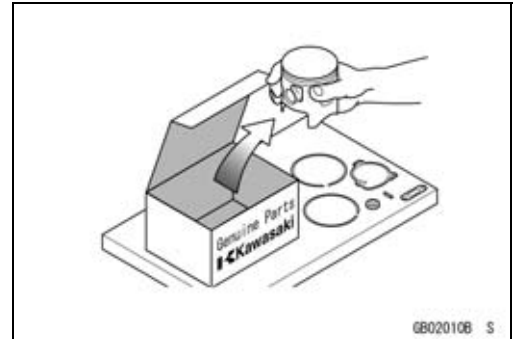
### Inspection

Reuse of worn or damaged parts may lead to serious accident. Visually inspect removed parts for corrosion, discoloration, or other damage. Refer to the appropriate sections of this manual for service limits on individual parts. Replace the parts if any damage has been found or if the part is beyond its service limit.



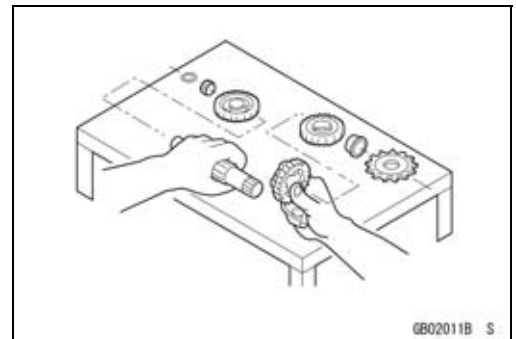
### Replacement Parts

Replacement parts must be KAWASAKI genuine or recommended by KAWASAKI. Gaskets, O-rings, oil seals, grease seals, circlips or cotter pins must be replaced with new ones whenever disassembled.



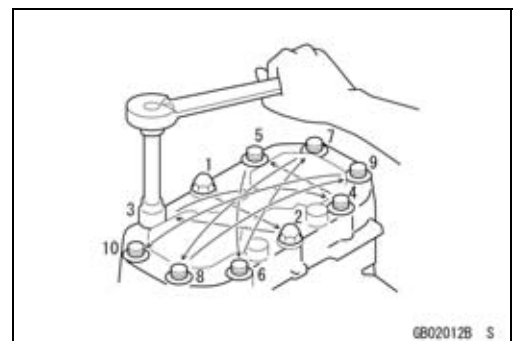
### Installation, Assembly

Generally, installation or assembly is the reverse of removal or disassembly. However, if installation or assembly sequence is given in this Service Manual, follow it. If you feel a lack of solidness or find some gaps in assembled parts, please check whether they are assembled in the correct positions and directions. If they are not, please correct their assembling positions or directions. Note parts locations and cable, wire, and hose routing during removal or disassembly so they can be installed or assembled in the same way. It is preferable to mark and record the locations and routing whenever possible.



### Tightening Sequence

When installing bolts, nuts, or screws for which a tightening sequence is given in this Service Manual, make sure to follow the sequence. When installing a part with several bolts, nuts, or screws, start them all in their holes and tighten them to a snug fit, thus ensuring that the part has been installed in its proper location. Then, tighten them to the specified torque in the tightening sequence and method indicated. If tightening sequence instructions are not given, tighten them evenly in a cross pattern. Conversely, to remove a part, first loosen all the bolts, nuts, or screws that are retaining the part a 1/4-turn before removing them.

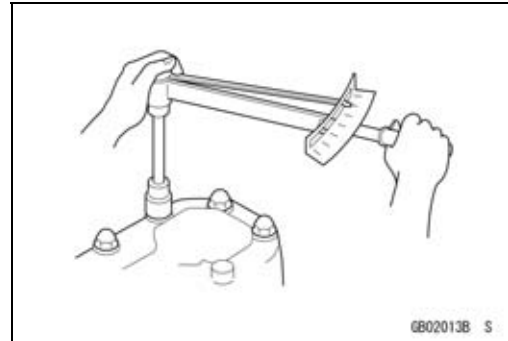


## 1-6 GENERAL INFORMATION

### Before Servicing

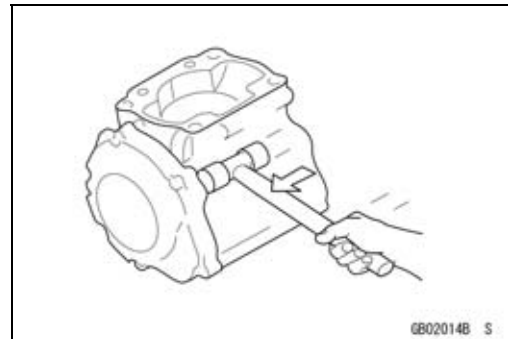
#### *Torque*

When torque values are given in this Service Manual, use them. Either too little or too much torque may lead to serious damage. Use a good quality, reliable torque wrench.



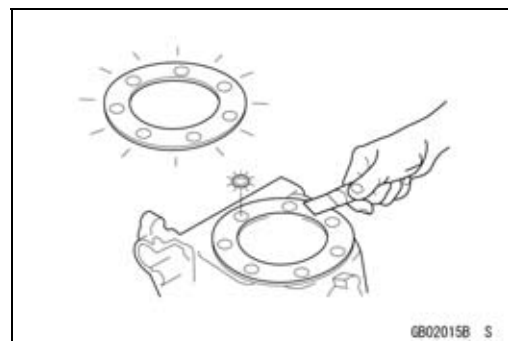
#### *Force*

Common sense should dictate how much force is necessary in assembly and disassembly. If a part seems especially difficult to remove or install, stop and examine what may be causing the problem. Whenever tapping is necessary, tap lightly using a wooden or plastic-faced mallet. Use an impact driver for screws (particularly for the removing screws held by non-permanent locking agent) in order to avoid damaging the screw heads.



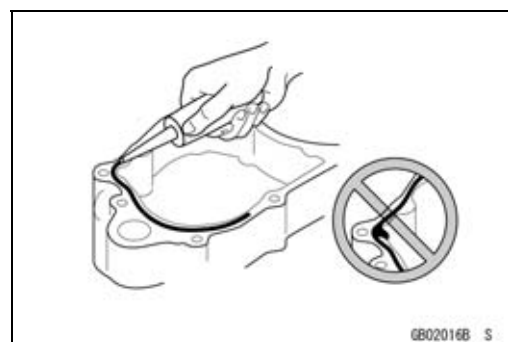
#### *Gasket, O-Ring*

After disassembly, remove old gaskets and clean the sealing surfaces thoroughly so that no gasket material or other material remains. Hardening, shrinkage, or damage of both gaskets and O-rings after disassembly can reduce sealing performance. Install new gaskets and replace used O-rings when re-assembling.



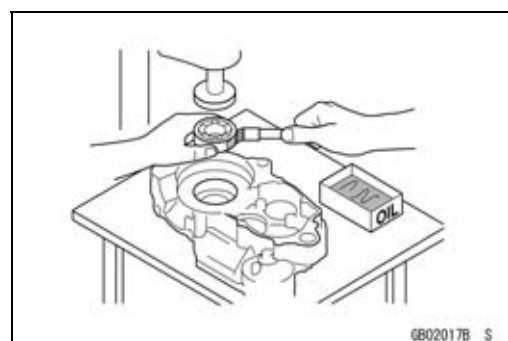
#### *Liquid Gasket, Locking Agent*

For applications that require Liquid Gasket or a Locking agent, clean the surfaces so that no oil residue, moisture and dirt remain before applying liquid gasket or locking agent. Do not apply them excessively. Excessive application can clog oil passages and cause serious damage to the engine.



#### *Press*

For items such as bearings or oil seals that must be pressed into place, apply small amount of oil to the contact area. Make sure the position and the direction of the part are correct when installing.

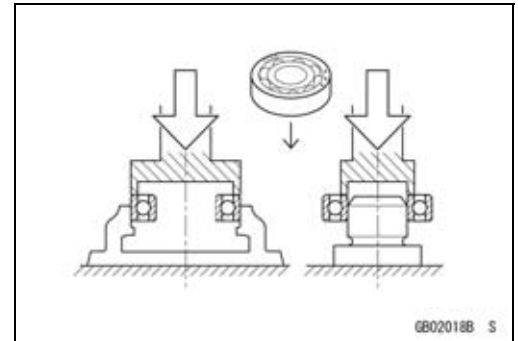


**Before Servicing**

*Ball bearing*

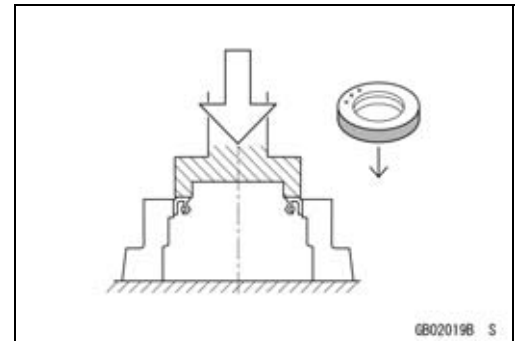
Do not remove a ball bearing unless it is absolutely necessary. Replace with new ones whenever removed. Press bearings with the manufacturer and size marks facing out. Press the bearing into place by putting pressure on the correct bearing race as shown.

Pressing the incorrect race can cause pressure between the inner and outer race and result in bearing damage.

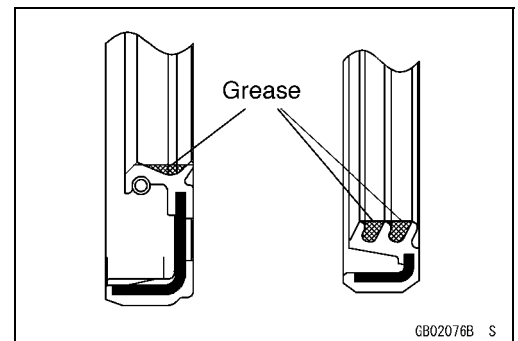


*Oil Seal, Grease Seal*

Do not remove pressed oil or grease seals unless removal is necessary. Replace with new ones whenever removed. Seals should be pressed into place until the side of the seal is even with the hole, with the manufacturer and size marks facing out unless instructed otherwise.



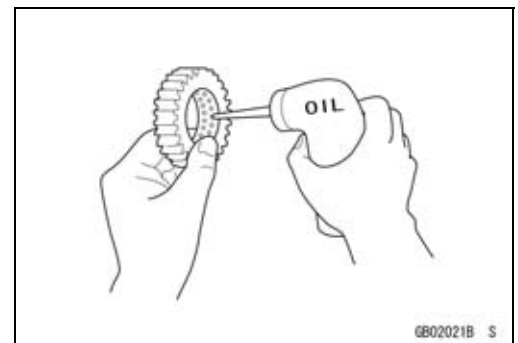
- Make sure to apply specified grease to the lip of seal before installing the seal.



*Lubrication*

Engine wear is generally at its maximum while the engine is warming up and before all the sliding surfaces have an adequate lubricative film. During assembly, make sure to apply oil to any sliding surface or bearing that has been cleaned. Old grease or dirty oil could have lost its lubricative quality and may contain foreign particles that act as abrasives; therefore, make sure to wipe it off and apply fresh grease or oil.

Some oils and greases in particular should be used only in certain applications and may be harmful if used in an application for which they are not intended.

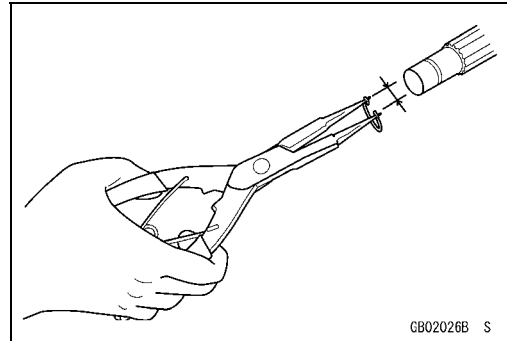


## 1-8 GENERAL INFORMATION

### Before Servicing

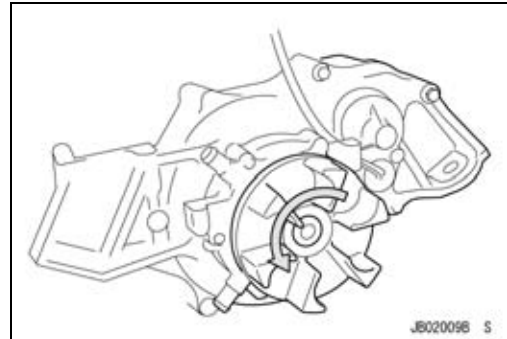
#### *Circlips, Cotter Pins*

Replace any circlips and cotter pins that were removed with new ones, as removal weakens and deforms them. If old ones are reused, they could become detached while the watercraft is driven, leading to a major problem. Take care not to open the clip excessively when installing to prevent deformation.



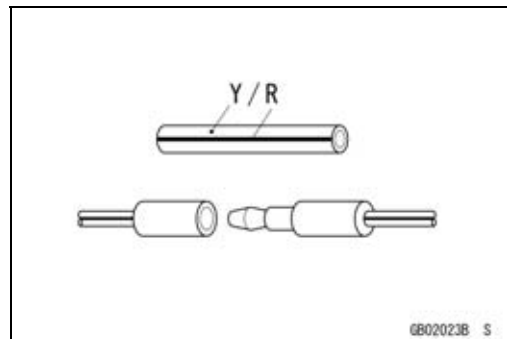
#### *Direction of Engine Rotation*

When rotating the crankshaft by hand, always rotate it to positive direction. Make sure to rotate it to positive direction to adjust it correctly. (counter-clockwise viewed from stern side)



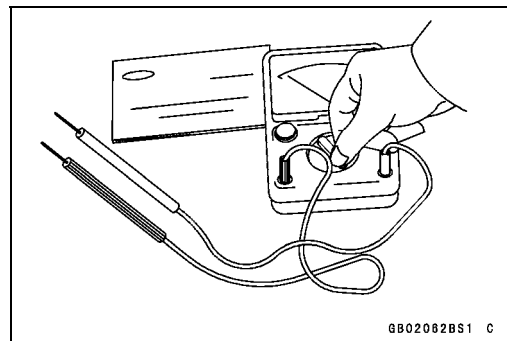
#### *Electrical Leads*

A two-color lead is identified first by the primary color and then the stripe color. Unless instructed otherwise, electrical wires must be connected to those of the same color.



#### *Instrument*

Use a meter that has enough accuracy for an accurate measurement. Read the manufacture's instructions thoroughly before using the meter. Incorrect values may lead to improper adjustments.





Model Identification

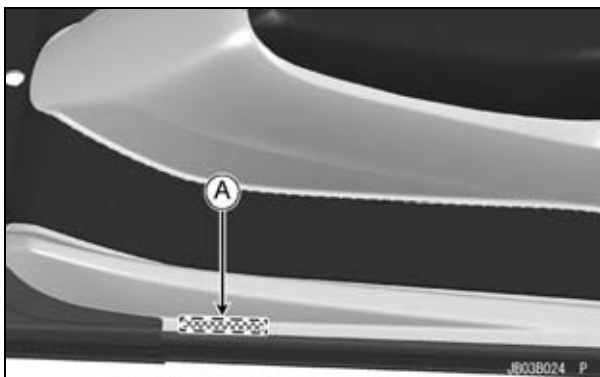
JF800-A1 Left Side View



JF800-A1 Right Side View

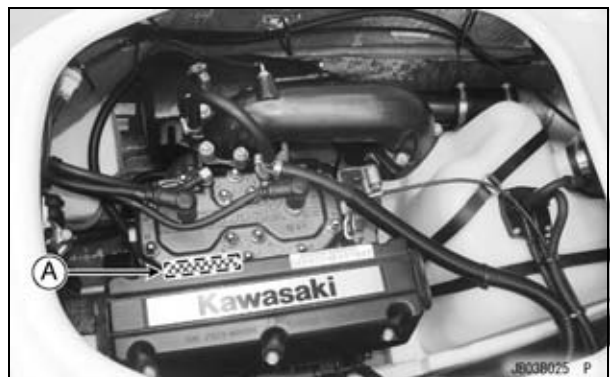


Hull No.



A: Hull No.

Engine No.



A: Engine No. (Lower end of Flame arrester)

# 1-10 GENERAL INFORMATION

## General Specifications

Item	JF800-A1
<b>Engine</b>	
Type	2-stroke, 2-cylinder, crankcase reed valve, water cooled
Displacement	781 cm <sup>3</sup> (47.7 cu in.)
Bore and Stroke	82 × 74 mm (3.23 × 2.91 in)
Compression Ratio	7.2 : 1
Maximum Horsepower	58.85 kW (80 PS) @6 250 r/min (rpm)
Maximum Torque	94.2 N·m (9.6 kgf·m) @5 750 r/min (rpm)
Ignition System	Digital DC-CDI
Lubrication System	Gas/oil premix ratio 60 : 1
Carburetors System	MIKUNI BN40-38 × 2
Starting System	Erectric Starter
Spark Plugs:	
Type	NGK BR8ES
Gap	0.7 ~ 0.8 mm (0.028 ~ 0.31 in.)
Terminal	Solid post
Ignition Timing	13° BTDC @1 250 r/min ~ 20.2° BTDC @4 000 r/min (rpm)
Carburetors:	
Idle Speed	1 250 ±100 r/min (rpm)-in water 1 700 ±100 r/min (rpm)-out of water
Compression Pressure	1 275 kPa (13.0 kgf/cm <sup>2</sup> , 185 psi) @490 r/min (rpm)
<b>Drive System</b>	
Coupling	Direct drive from engine
Jet Pump:	
Type	Axial flow single stage
Thrust	3 100 N (317 kgf, 697 lb)
Steering	Steering nozzle
Brake	Water drag
<b>Performance</b>	
†Minimum Turning Radius	3.2 m
†Fuel Consumption	32 L/h (8.5 US gal/h) @full throttle
†Cruising Range	40 km (75 mile) @full throttle
†Cruising Time	32 minutes
<b>Dimensions</b>	
Overall Length	2 310 mm (90.9 in.)
Overall Width	730 mm (28.7 in.)
Overall Height	880 mm (34.6 in.)
Dry Mass	159 kg (351 lb)
Fuel Tank Capacity	17 L (4.5 US gal) including 3 L (0.8 US gal) reserve
<b>Engine Oil</b>	
Type	2-stroke, N-M, M, A, Certified for Service TC-W3
<b>Electrical Equipment</b>	
Battery	12 V 13 Ah
Maximum Generator Output	6.6 A/14 V @6 000 r/min (rpm)

†: This information shown here represents results under controlled conditions, and the information may not be correct under other conditions.

**General Specifications**

---

Specifications are subject to change without notice, and may not apply to every country.

# 1-12 GENERAL INFORMATION

## Unit Conversion Table

### Prefixes for Units:

Prefix	Symbol	Power
mega	M	× 1 000 000
kilo	k	× 1 000
centi	c	× 0.01
milli	m	× 0.001
micro	μ	× 0.000001

### Units of Mass:

kg	×	2.205	=	lb
g	×	0.03527	=	oz

### Units of Volume:

L	×	0.2642	=	gal (US)
L	×	0.2200	=	gal (imp)
L	×	1.057	=	qt (US)
L	×	0.8799	=	qt (imp)
L	×	2.113	=	pint (US)
L	×	1.816	=	pint (imp)
mL	×	0.03381	=	oz (US)
mL	×	0.02816	=	oz (imp)
mL	×	0.06102	=	cu in.

### Units of Force:

N	×	0.1020	=	kg
N	×	0.2248	=	lb
kg	×	9.807	=	N
kg	×	2.205	=	lb

### Units of Length:

km	×	0.6214	=	mile
m	×	3.281	=	ft
mm	×	0.03937	=	in.

### Units of Torque:

N·m	×	0.1020	=	kgf·m
N·m	×	0.7376	=	ft·lb
N·m	×	8.851	=	in·lb
kgf·m	×	9.807	=	N·m
kgf·m	×	7.233	=	ft·lb
kgf·m	×	86.80	=	in·lb

### Units of Pressure:

kPa	×	0.01020	=	kgf/cm <sup>2</sup>
kPa	×	0.1450	=	psi
kPa	×	0.7501	=	cmHg
kgf/cm <sup>2</sup>	×	98.07	=	kPa
kgf/cm <sup>2</sup>	×	14.22	=	psi
cm Hg	×	1.333	=	kPa

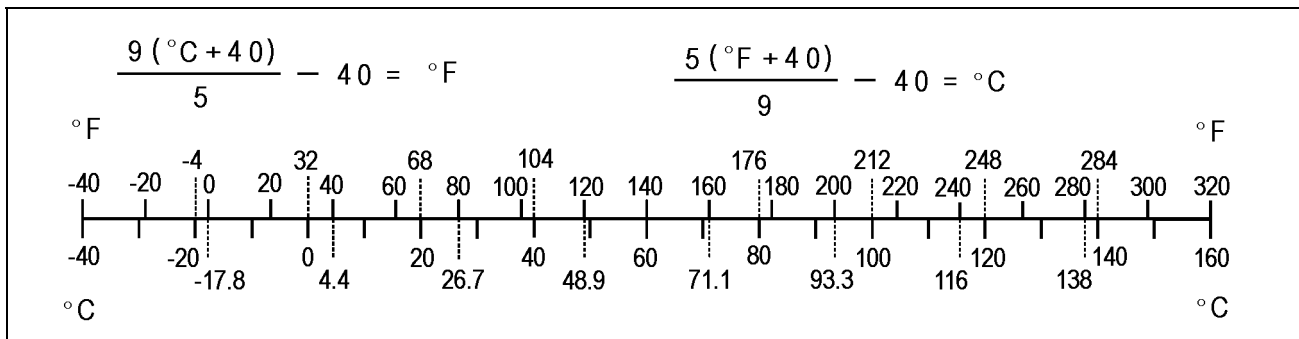
### Units of Speed:

km/h	×	0.6214	=	mph
------	---	--------	---	-----

### Units of Power:

kW	×	1.360	=	PS
kW	×	1.341	=	HP
PS	×	0.7355	=	kW
PS	×	0.9863	=	HP

### Units of Temperature:



# Periodic Maintenance

## Table of Contents

Periodic Maintenance Chart .....	2-2
Torque and Locking Agent.....	2-3
Specifications .....	2-6
Periodic Maintenance Procedures.....	2-7
Fuel System.....	2-7
Idle Speed Adjustment.....	2-7
Carburetor Synchronization .....	2-7
Throttle Cable Adjustment .....	2-8
Choke Cable Adjustment .....	2-9
Fuel Filter Screen Cleaning .....	2-9
Fuel Vent Check Valve Inspection .....	2-10
Flame Arrester Cleaning and Inspection.....	2-11
Throttle Shaft Spring Inspection.....	2-12
Engine Bottom End.....	2-13
Coupling Damper Inspection.....	2-13
Cooling and Bilge Systems.....	2-13
Cooling System Flushing .....	2-13
Bilge System Flushing .....	2-14
Impeller .....	2-15
Impeller Inspection.....	2-15
Steering .....	2-15
Steering Cable Inspection.....	2-15
Steering Cable Lubrication.....	2-15
Handlebar Pivot Lubrication.....	2-16
Hull/Engine Hood.....	2-16
Drain Plug Inspection.....	2-16
Electrical System .....	2-17
Battery Charging Condition Inspection .....	2-17
Battery Terminals Inspection.....	2-17
Spark plug inspection.....	2-17
Spark Plug Adjustment .....	2-18
Spark Plug Cleaning .....	2-18
Lubrication .....	2-18
All Hoses, Hose Clamps, Nuts, Bolts and Fasteners Check .....	2-20
Nuts, Bolts, and Fasteners Tightness Inspection.....	2-20
Hose and Hose Connect Inspection .....	2-21
Rubber Strap Inspection .....	2-22

## 2-2 PERIODIC MAINTENANCE

### Periodic Maintenance Chart

The scheduled maintenance must be done in accordance with this chart to keep the watercraft in good running condition. **The initial maintenance is vitally important and must not be neglected.**

Description	Frequency	Initial 10 hours	Every 25 hours	Every 50 hours	Every 100 hours	Reference
Adjust carburetor			●			2-7
Clean fuel filter screens			●			2-9
Inspect fuel vent check valve			●			2-10
Inspect/clean flame arrester			●			2-11
Inspect carburetor throttle shaft spring (replace carburetor if necessary)					●	2-12
Inspect/replace coupling damper					●	2-13
Flush cooling system (after each use in salt water)			●			2-13
Flush bilge line and filter			●			2-14
Inspect impeller blade for damage (remove)					●	2-15
Inspect steering cable					●	2-15
Lubricate handlebar pivot (disassemble)			●			2-16
Inspect hull drain screws (replace if necessary)				●		2-16
Inspect battery charging condition			●			2-17
Inspect battery terminals			●			2-17
Clean and gap spark plugs (replace if necessary)			●			2-17
Lubricate throttle cable fitting and choke cable fitting at carburetor			●			2-19
Lubricate choke cable and throttle cable and throttle cable fitting at throttle case			●			2-19
Lubricate steering cable ball joints and steering nozzle pivots			●			2-20
Check all hoses, clamps, nuts, bolts, and fasteners		●	●			2-20

**Torque and Locking Agent**

The following tables list the tightening torque for the major fasteners requiring use of a non-permanent locking agent.

Letters used in the "Remarks" column mean:

L: Apply a non-permanent locking agent (Medium Strength: Loctite 242 Equivalent).

LN: Apply a non-permanent locking agent (High Strength: Loctite 271 Equivalent).

S: Tighten the fasteners following the specified sequence.

Item	Torque			Remarks
	N·m	kgf·m	ft·lb	
<b>Fuel System</b>				
Carburetor Mounting Bolts	18	1.8	13	L
Carburetor Main Jet	1.8	0.18	16 in·lb	
Carburetor Pilot Jet	0.7	0.07	6.2 in·lb	
Carburetor Float Arm Pin Screw	0.98	0.10	8.7 in·lb	
Holder Plate Screw	0.98	0.10	8.7 in·lb	
Carburetor Cover Screws	3.4	0.35	30 in·lb	
Carburetor Plate Screws	2.0	0.20	18 in·lb	
Inlet Manifold Mounting Nuts	9.8	1.0	87 in·lb	S
Fuel Pump Mounting Screws	0.7	0.07	6.2 in·lb	
Air Inlet Cover Mounting Bolts	8.8	0.90	78 in·lb	L
Flame Arrester Case Mounting Bolts	8.8	0.90	78 in·lb	L
Choke Cable Adjust Locknuts	20	2.0	14	
Throttle Cable Adjust Locknuts	20	2.0	14	
Throttle Case Screws	3.9	0.40	35 in·lb	
<b>Exhaust System</b>				
Exhaust Pipe Mounting Bolts	29	3.0	22	L, LN
Front Muffler Mounting Bolts	29	3.0	22	L
Water Hose Joint	11	1.1	95 in·lb	L
Exhaust Manifold Mounting Nuts	20	2.0	14	S
Expansion Chamber Mounting Bolts	29	3.0	22	L
Muffler Bracket Mounting Bolts	29	3.0	22	L
<b>Engine Top End</b>				
Cylinder Head Nuts	29	3.0	22	S
Cable Holder Bolts	29	3.0	22	LN
Cylinder Base Nuts	34	3.5	25	
Water Hose Joint	7.8 ~ 14	0.80 ~ 1.4	69 ~ 101	L
Cylinder Stud	–	–	–	L
<b>Engine Removal/Installation</b>				
Engine Mounting Bolts	49	5.0	36	L
Engine Bed Mounting Bolts	36	3.7	27	L
Engine Mounting Bolts	16	1.6	12	
<b>Engine Bottom End</b>				
Flywheel Bolt	130	13.5	96	LN
Stator Mounting Bolts	12	1.2	8.5	
Coupling	130	13.5	96	L
Magneto Cover Mounting Bolts	8.8	0.90	78 in·lb	L
Crankcase Bolts (6 mm)	8.8	0.90	78 in·lb	L, S

## 2-4 PERIODIC MAINTENANCE

### Torque and Locking Agent

Item	Torque			Remarks
	N·m	kgf·m	ft·lb	
Crankcase Bolts (8 mm)	29	3.0	22	L, S
Magneto Cover Cap Bolts	8.8	0.90	78 in·lb	L
Set Screw	2.5	0.25	22 in·lb	L
Crankshaft Sensor Bracket Screw	2.5	0.25	22 in·lb	L
Grommet Clamp Screws	2.5	0.25	22 in·lb	L
Electric Case Cap Bolts	8.8	0.90	78 in·lb	L
<b>Cooling and Bilge Systems</b>				
Water Hose Joint	9.8	1.0	87 in·lb	L
<b>Driveshaft</b>				
Coupling	39	4.0	29	L
Drive Shaft Holder Mounting Bolts	22	2.2	16	L
<b>Pump and Impeller</b>				
Water Hose Joint	9.8	1.0	87 in·lb	L
Steering Nozzle Pivot Bolts	8.8	0.90	78 in·lb	LN
Pump Outlet Mounting Bolts	–	–	–	L
Pump Cap Bolts	–	–	–	L
Impeller	98	10.0	72	
Pump Mounting Bolts	22	2.2	16	L
Pump Cover Mounting Bolts	6.9	0.70	61 in·lb	L
Grate Mounting Bolts	7.8	0.80	69 in·lb	L
Steering Cable Ball Joint	–	–	–	LN
Pump Shaft	98	10.0	72	M
<b>Steering</b>				
Handlebar Clamp Bolts	16	1.6	12	L
Start/Stop Switch Case Mounting Screws	3.9	0.40	35 in·lb	
Throttle Case Mounting Screws	3.9	0.40	35 in·lb	
Steering Shaft Locknut	49 ~ 59	5.0 ~ 6.0	36 ~ 43	
Steering Shaft Nut	–	–	–	Hand-tighten
Steering Holder Mounting Bolts	20	2.0	14	LN
Steering Neck Mounting Bolts	16	1.6	12	L
Ball Joint	9.8	1.0	89 in·lb	LN
Steering Cable Nut	39	4.0	29	
<b>Hull/Engine Hood</b>				
Exhaust Outlet Bolts	–	–	–	L
Battery Bracket Bolts	–	–	–	
Strap Bolts	–	–	–	L
Strap Bracket Bolt	–	–	–	L
Upper Bracket Bolts (Engine Hood)	–	–	–	L
Lower Bracket Bolts (Deck)	–	–	–	L
Steering Cable Bracket Bolts	–	–	–	L
Engine Hood Stopper Pin Bolts	–	–	–	L
Latches	–	–	–	L



**Torque and Locking Agent**

Item	Torque			Remarks
	N·m	kgf·m	ft·lb	
Electric Case Bracket Bolts	–	–	–	L
<b>Electrical System</b>				
Electric Case Connector Mounting Bolts	8.8	0.90	78 in·lb	L
Spark Plugs	27	2.8	20	
Joints	3.9	0.40	35 in·lb	
Starter Relay Lead Mounting Nuts	4.4	0.45	39 in·lb	
Electric Case Mounting Bolts	8.8	0.90	78 in·lb	L, LN
Water Temperature Sensor	15	1.5	11	see text
Regulator/Rectifier Mounting Bolts	8.8	0.90	78 in·lb	L
CDI Igniter Mounting Bolts	8.8	0.90	78 in·lb	L
Ignition Coil Mounting Bolts	8.8	0.90	78 in·lb	L
Electric Case Bolts	8.8	0.90	78 in·lb	L
Switch Housing Mounting Screws	3.9	0.40	35 in·lb	
Battery Ground Cable Mounting Bolt	8.8	0.90	78 in·lb	L
Starter Motor Cable (+) Mounting Nut	7.8	0.80	69 in·lb	
Starter Motor Mounting Bolts	8.8	0.90	78 in·lb	L
Starter Motor Retaining Bolts	6.3	0.65	56	L

This table relating tightening torque of the stainless bolt and the nut to thread diameter, lists the basic torque for the bolts and nuts. Use this table for only the bolts and nuts which do not require a specific torque value.

**General Fasteners (stainless bolt and nut)**

Threads dia. (mm)	Torque		
	N·m	kgf·m	ft·lb
6	5.9 ~ 8.8	0.60 ~ 0.90	52 ~ 78 in·lb
8	16 ~ 22	1.6 ~ 2.2	11.6 ~ 15.9
10	30 ~ 41	3.1 ~ 4.2	22 ~ 30

## 2-6 PERIODIC MAINTENANCE

### Specifications

Item	Standard	Service Limit
<b>Fuel System</b>		
Idle Speed:		
in Water	1 250 ±100 rpm	— — —
out of Water	1 700 ±100 rpm	— — —
<b>Electrical System</b>		
Battery Voltage	12.8 V or more	— — —
Spark Plug Gap	0.7 ~ 0.8 mm (0.028 ~ 0.031 in.)	— — —

Periodic Maintenance Procedures

Fuel System

Idle Speed Adjustment

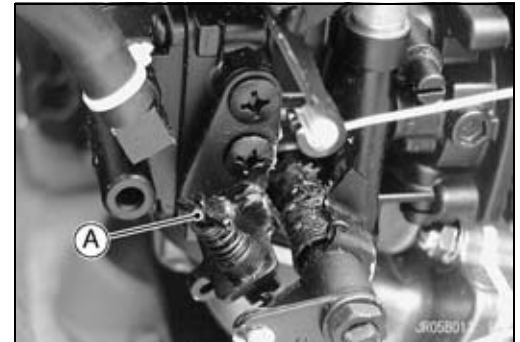
The normal idle speed setting is the lowest stable speed.

- Open the engine hood (see Hull/Engine Hood chapter).
- Start the engine.
- Check the engine speed, using the engine revolution tester [A] for high accuracy.



- Turn the idle adjusting screw [A] to reach this setting.

<b>Idle Speed</b>	
<b>in Water</b>	<b>1 250 ±100 rpm</b>
<b>out of Water</b>	<b>1 700 ±100 rpm</b>



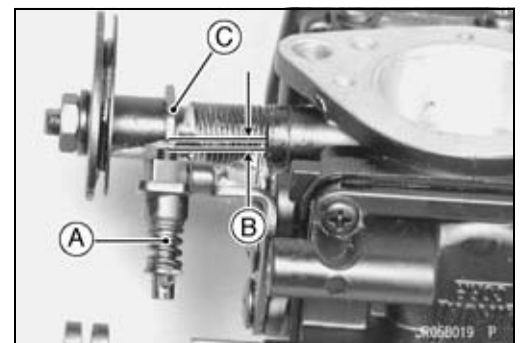
Carburetor Synchronization

- Remove the carburetor (see Fuel System chapter).

**CAUTION**

**Do not turn the pilot screws carelessly during synchronization. You may cause poor running at low engine speed.**

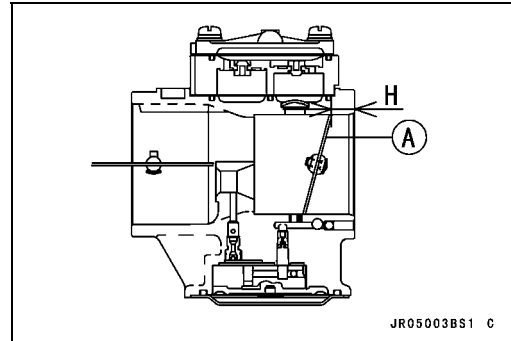
- Check the mixture screws settings (see Fuel System chapter).
- ★ If the setting is incorrect, adjust them (see Fuel System chapter).
- Turn out the idle adjusting screw [A] until there is a clearance [B] between the adjusting screw end and throttle shaft lever [C].
- Turn in the idle adjusting screw until the adjusting screw end just touches the throttle shaft lever.



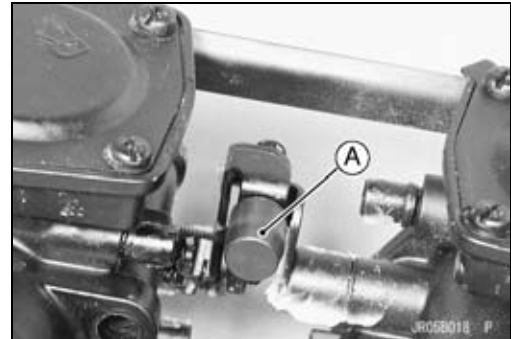
## 2-8 PERIODIC MAINTENANCE

### Periodic Maintenance Procedures

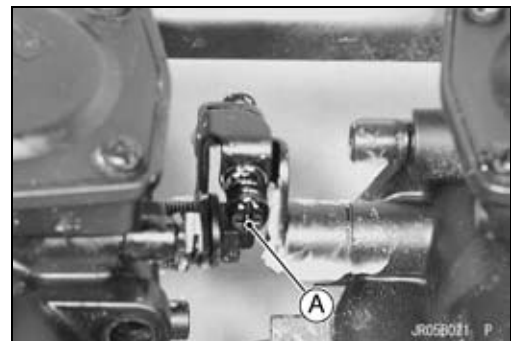
- Turn in the adjusting screw 3/4 turn from the point to keep the specified throttle valve [A] opening in the front carburetor.
- Measure the distance from the bottom of the carburetor bore lower end to the valve edge shown as "H".



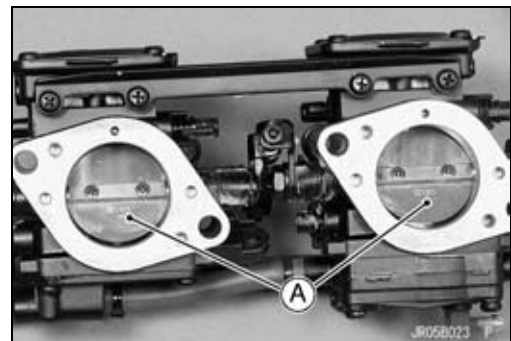
- Remove:  
Synchronizing Screw Cap [A]



- Turn the synchronizing screw [A] so that the valve edge in the rear carburetor keeps the same distance within  $\pm 0.2$  mm tolerance as in the front carburetor.

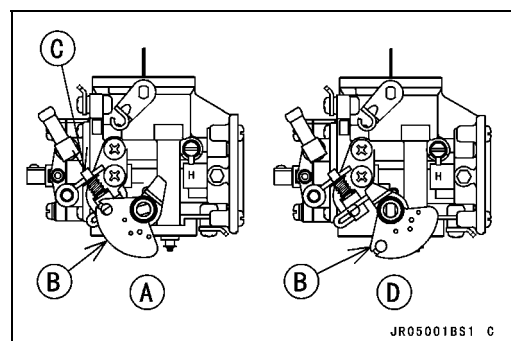


- Open and close the throttle a few times to make sure that the throttle valves [A] are synchronized. Readjust if necessary.
- Install the carburetor.
- Adjust the idle speed, throttle cables and choke cables.



#### Throttle Cable Adjustment

- Open the engine hood (see Hull/Engine Hood chapter).
- Check throttle cable adjustment.
- With the throttle lever released [A], the lower stop on the shaft lever [B] should rest against the idle adjust screw [C], and there should be slight slack in the throttle cable.
- When the throttle lever is fully applied (pulled) [D], the upper stop on the shaft lever [B] should be all the way up against the stop on the carburetor.



## Periodic Maintenance Procedures

- If necessary, adjust the throttle cable.
- Loosen and turn the locknuts [A] at the bracket until the stop on the shaft lever hits against the idle adjust screw with slight cable slack.
- Tighten the locknuts securely.

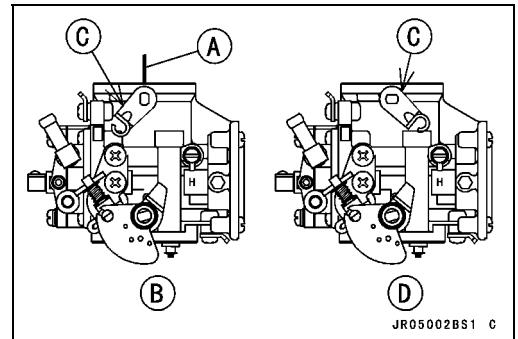
**Torque - Throttle Cable Adjustment Nuts: 20 N·m (2.0 kgf·m, 25 ft·lb)**

- Check that the throttle lever moves smoothly from full open to close, and the throttle closes quickly and completely in all steering positions by the return spring.
- ★ If the throttle lever does not return properly, check the throttle cable routing, cable adjustments, and cable damage. Then lubricate the throttle cables.
- Run the engine at the idle speed, and turn the handlebar all the way to the right and left, or/and up and down to ensure that the idle speed does not change.
- ★ If the idle speed increase, check the throttle cable adjustment and the cable routing.



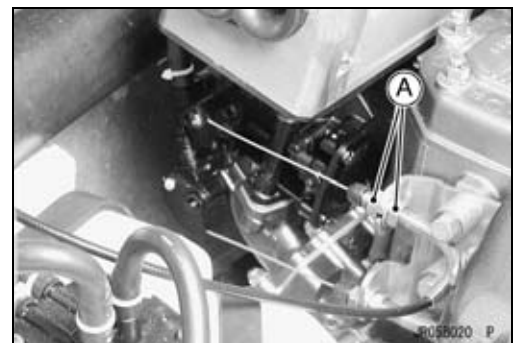
### Choke Cable Adjustment

- Open the engine hood (see Hull/Engine Hood chapter).
- When the choke knob is turned to the “OFF” position, the choke butterfly valve [A] in the carburetor should be completely open [B]. The choke pivot arm [C] should stand all the way toward the starboard side of the boat with minimal cable slack.
- When the choke knob is turned to the “ON” position, the choke butterfly valve in the carburetor should be completely closed [D]. Check that the choke pivot arm [C] stands all the way toward the port side of the boat without cable slack.



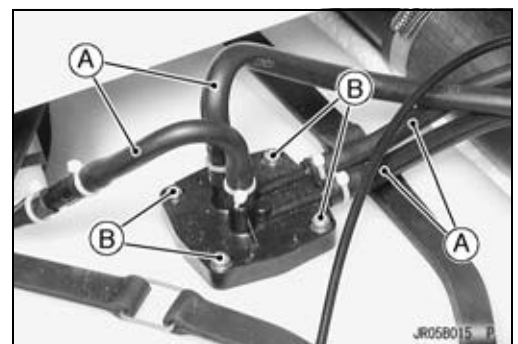
- If necessary, adjust the choke cable.
- Turn the choke knob to the “OFF” position (counterclockwise completely).
- Loosen the adjust nuts [A] and turn the nuts to allow a little cable slack.
- Tighten the locknuts.

**Torque - Choke Cable Adjust Nuts: 20 N·m (2.0 kgf·m, 25 ft·lb)**



### Fuel Filter Screen Cleaning

- Open the engine hood (see Hull/Engine Hood chapter).
- Cut the bands of the fuel hoses.
- Pull out each hoses [A] from the fuel filter assembly fittings.
- Unscrew the fuel filter assembly mounting screws [B].
- Remove the fuel filter assembly.



## 2-10 PERIODIC MAINTENANCE

### Periodic Maintenance Procedures

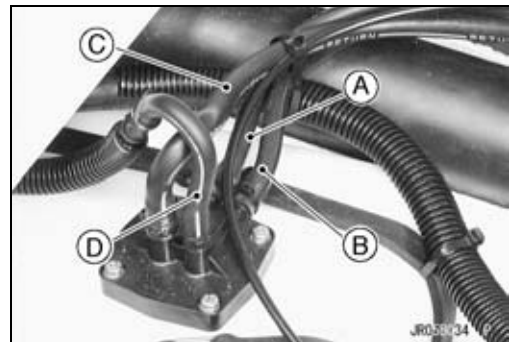
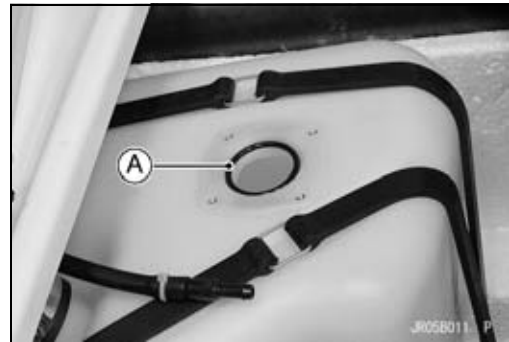
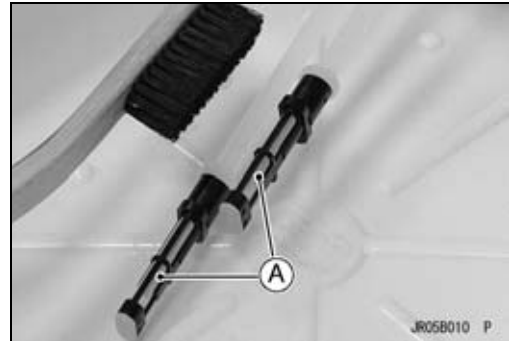
- Wash the fuel filter screens [A] in non-flammable or high flash-point solvent. Use a brush to remove any contaminants trapped in the screens.

#### **⚠ WARNING**

**Clean the fuel filter screens in a well-ventilated area, and take care that there are no sparks or flame anywhere near the working area; this includes any appliance with a pilot light. Do not use gasoline or a low flash-point solvent. A fire or explosion could result.**

- When installing the fuel filter assembly, note the following.
  - Be sure the O-ring [A] on the fuel tank is in position.

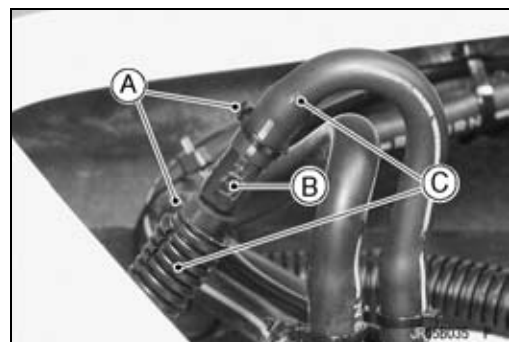
- Tighten the mounting screws.
- Be sure the hoses are connected correctly with their fittings.
  - Reserve Line [A]
  - Main (ON) Line [B]
  - Return Line [C]
  - Fuel Tank Vent Line [D]



#### *Fuel Vent Check Valve Inspection*

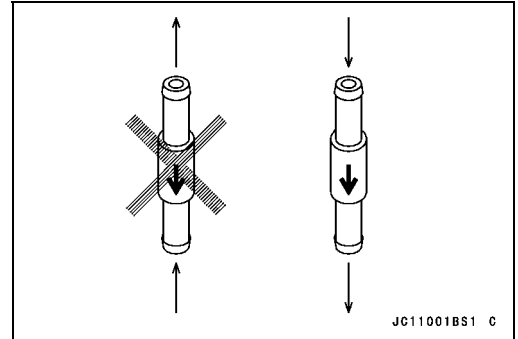
The fuel vent check valve is mounted in the fuel tank vent hose to prevent fuel from spilling during riding. Air can flow into the tank to allow fuel to be drawn out by the fuel pump, but fuel cannot flow out the check valve.

- Open the engine hood (see Hull/Engine Hood chapter).
- Cut the bands [A].
- Pull out each end of the fuel vent check valve [B] from the vent hoses [C].

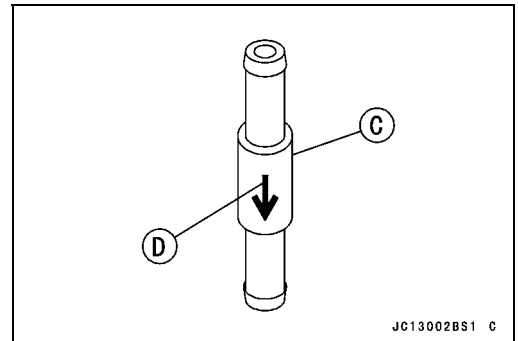


**Periodic Maintenance Procedures**

- Blow through the fuel vent check valve from both ends.
- ★ If the check valve will allow air to flow as shown, it is OK.
- ★ If air will flow through the check valve in both direction or in neither direction, the check valve must be replaced.

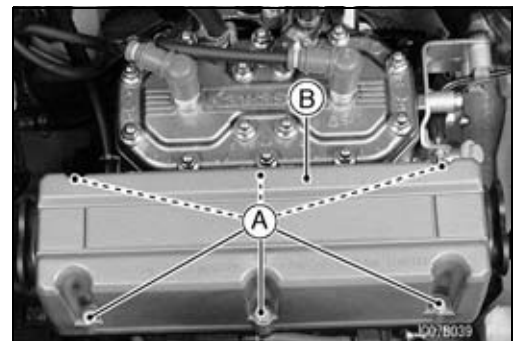


- The fuel vent check valve [C] must be mounted so that the arrow [D] on its case is pointing toward the fuel tank.

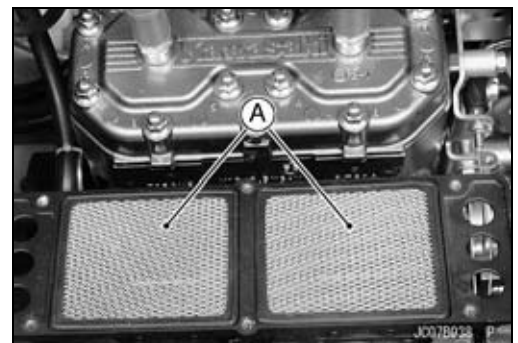


*Flame Arrester Cleaning and Inspection*

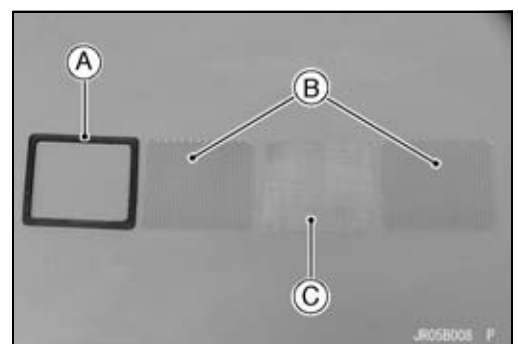
- Open the engine hood (see Hull/Engine Hood chapter).
- Remove:
  - Air Inlet Cover Mounting Bolts [A]
  - Air Inlet Cover [B]



- Remove:
  - Flame Arresters [A]



- Disassemble the flame arrester.
  - Rubber Holder [A]
  - Expander [B]
  - Screen [C]



## 2-12 PERIODIC MAINTENANCE

### Periodic Maintenance Procedures

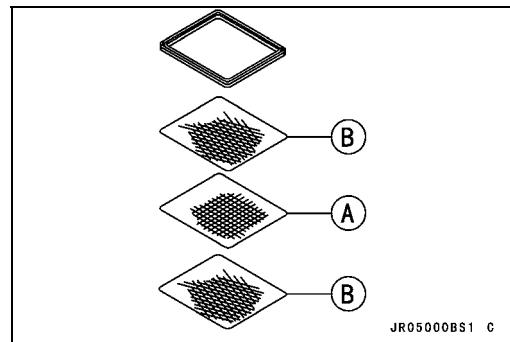
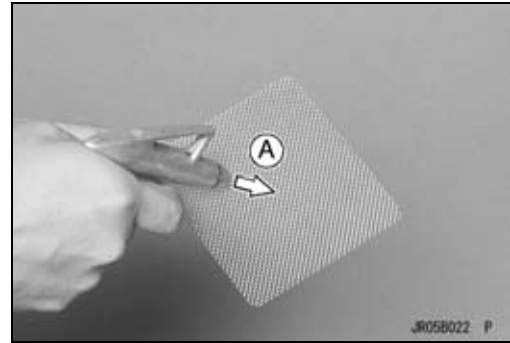
- Blow each parts of the flame arrester clean with compressed air [A].

#### **⚠ WARNING**

**Eye protection should be worn when compressed air is used to dry parts. Do not direct air toward anyone. Use 172 kPa (1.75 kgf/cm<sup>2</sup>) maximum nozzle pressure.**

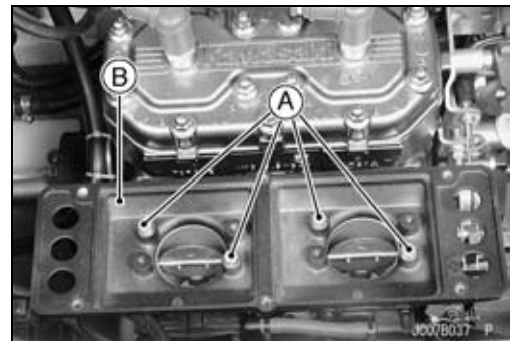
- Visually inspect the flame arrester.
- ★ If the rubber holder, screen and expanders are broken, replace them as a set.
- When assembling the flame arrester, put the screen [A] between two expanders [B].
- Apply a non-permanent locking agent to the threads of the air inlet cover bolts.

**Torque - Air Inlet Cover Mounting Bolts: 8.8 N·m (0.90 kgf·m, 78 in·lb)**

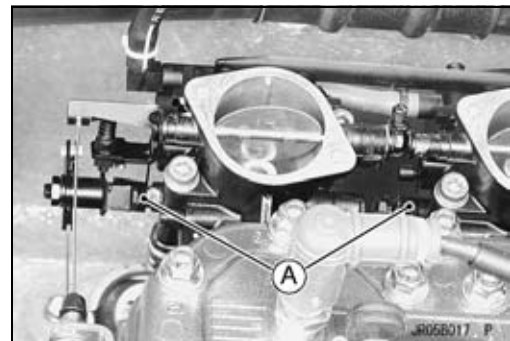


#### *Throttle Shaft Spring Inspection*

- Remove:
  - Flame Arrester (see Flame Arrester Cleaning and Inspection)
  - Flame Arrester Case Bolts [A]
  - Flame Arrester Case [B]



- Check the throttle shaft springs [A] by pulling the throttle lever.
- ★ If the springs are damaged or weak, replace the carburetors.



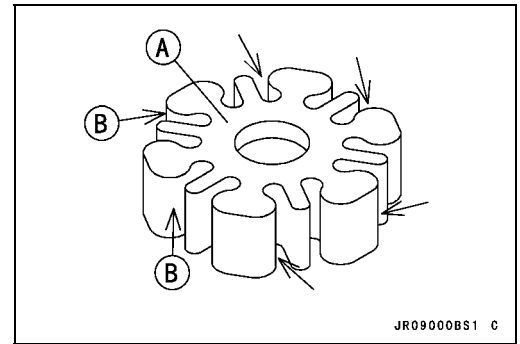


Periodic Maintenance Procedures

Engine Bottom End

*Coupling Damper Inspection*

- Remove the engine (see the Engine Removal/Installation chapter).
- With the engine removed, remove the coupling damper [A] and inspect it for wear [B] and deterioration.
- ★ If it is grooved or misshapen, replaced it with a new damper.
- ★ If there is any doubt as to coupler condition, replace it with a new one.



Cooling and Bilge Systems

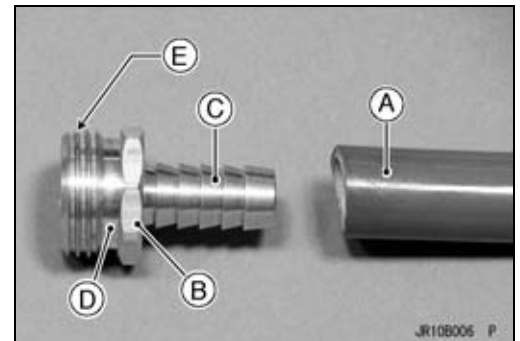
*Cooling System Flushing*

To prevent sand or salt deposits from accumulating in the cooling system, it must be flushed occasionally. Flush the system according to the Periodic Maintenance Chart, after each use in salt water, or whenever there is reduced water flow from the bypass outlet on the left side of the hull.

- Obtain a standard garden hose [A] and a garden hose adapter [B] as shown.
  - Garden Hose Fitting of Adapter [C]
  - Flushing Fitting of Adapter [D]
  - Thread: Rp 3/4 [E]

**NOTE**

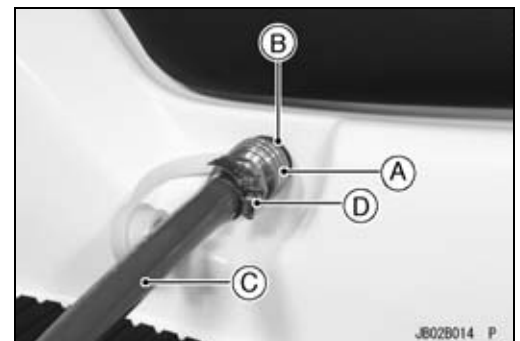
○ A hose adapter is included among the supplied parts.



- Remove the flushing cap [A].



- Screw a garden hose adapter [A] onto the flushing fitting [B].
- Attach a garden hose [C] to a garden hose adapter and secure the hose clamp [D].



## 2-14 PERIODIC MAINTENANCE

### Periodic Maintenance Procedures

- Start the engine and allow it to idle before turning on the water.

#### CAUTION

**The engine must be running before the water is turned on or water may flow back through the exhaust pipe into the engine, resulting in the possibility of severe internal damage.**

- Immediately turn on the water and adjust the flow so that a little trickle of water comes out of the bypass outlet [A] on the left side of the hull.
- Leave the engine idle for 4 ~ 5 minutes with the water running.
- Turn off the water. Leave the engine idling.
- Rev the engine 4 ~ 5 times to clear the water out of the exhaust system.

#### CAUTION

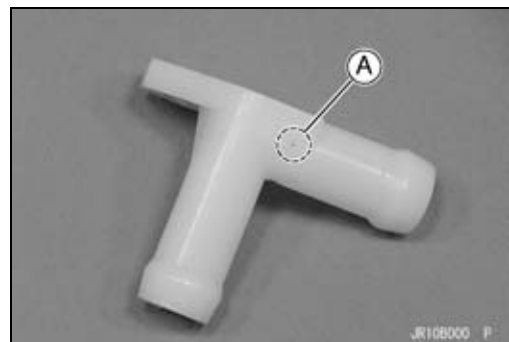
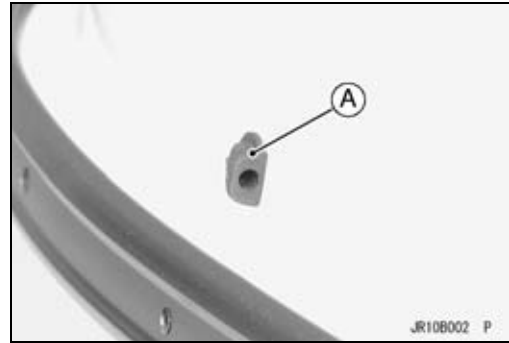
**Do not run the engine without cooling water supply for more than 15 seconds, especially in high revolutionary speed or severe engine and exhaust system damage will occur.**

- Switch off the engine, remove the garden hose and the adapter. Then, install the flushing cap securely.

#### *Bilge System Flushing*

To prevent clogging, the bilge system should be flushed out according to the Periodic Maintenance Chart, or whenever you suspect it is blocked.

- Disconnect both bilge hoses [A] at the plastic breather fitting.
- Connect the bilge filter hoses (from the hull bottom) to the garden hoses, turn the water on, and flush it out for about a minute. During this procedure, water will flow into the engine compartment. Do not allow a large amount of water to accumulate in the engine compartment. Remove the drain screws in stern to drain the engine compartment.
- Connect the other hose (from the hull bulkhead) to the garden hose, turn the water on, and flush it out for several minutes.
- Remove the breather fitting (see Cooling and Bilge System chapter).
- Before reconnecting the hoses to the plastic breather fitting, make sure the small hole [A] on top of the breather fitting is clear.
- Reconnect the bilge hoses.



Periodic Maintenance Procedures

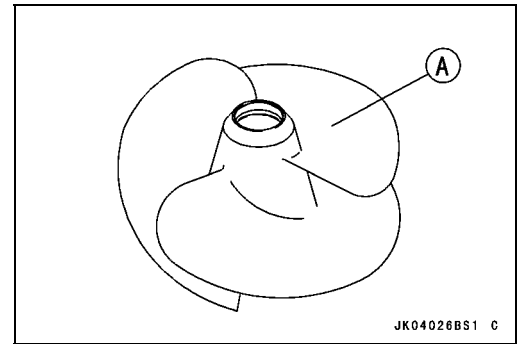
**Impeller**

*Impeller Inspection*

- Examine the impeller [A].
- ★ If there is pitting, deep scratches, nicks or other damage, replace the impeller.

**NOTE**

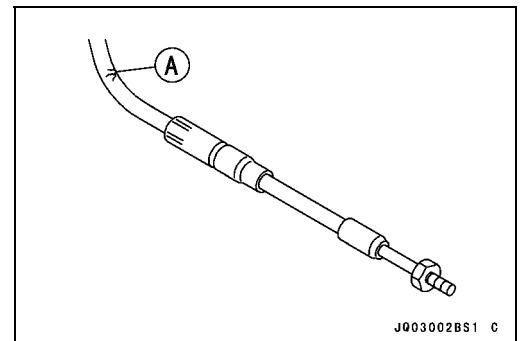
○ *Minor nicks and gouges in the impeller blades can be removed with abrasive paper or careful filing. Smooth leading edges are especially important to avoid cavitation.*



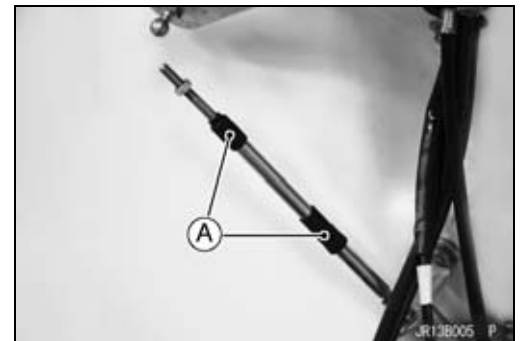
**Steering**

*Steering Cable Inspection*

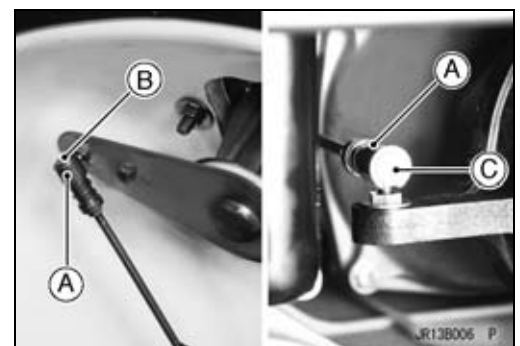
- Remove the steering cable (see Steering Cable Removal in the Steering chapter).
- Examine the steering cable.
- ★ If the cable or cable housing is kinked [A], replace the cable.



- ★ If the seal [A] at either end of the cable is damaged in any way, replace the cable.



- Be certain that the cable moves freely in both directions.
- Disconnect the cable joint at each end of the cable.
- Slide each outer sleeve [A] away from the ball slightly, and lift the cable from the handlebar ball joint [B] and the steering nozzle ball joint [C].



**CAUTION**

**Never lay the watercraft on the right side. Water in the exhaust system may drain back into the engine causing serious damage.**

- Slide the inner cable back and forth in the cable housing.
- ★ If the cable does not move freely, replace it.

*Steering Cable Lubrication*

**NOTE**

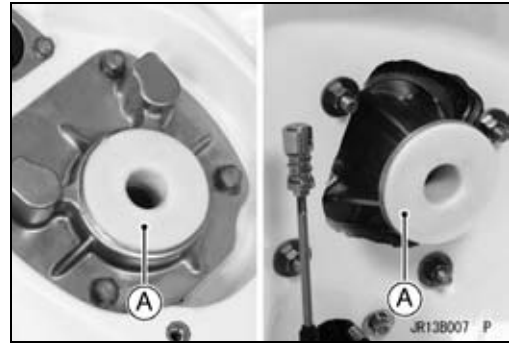
○ *The steering cable is sealed at each end and does not require lubrication. If the seal is damaged, the cable must be replaced.*

## 2-16 PERIODIC MAINTENANCE

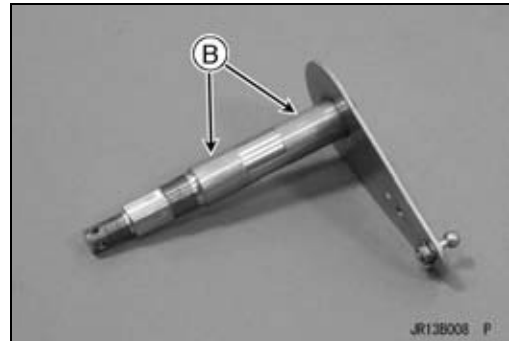
### Periodic Maintenance Procedures

#### *Handlebar Pivot Lubrication*

- Examine the bushings for damage and wear.
- ★ If the bushings are damaged or worn, replace them.
- Apply grease to the followings:
  - Bushing [A]



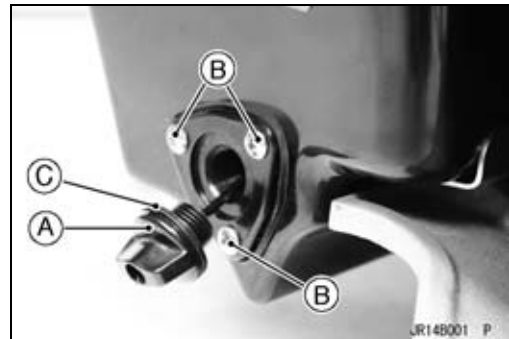
Steering Shaft [B]



#### **Hull/Engine Hood**

##### *Drain Plug Inspection*

- Examine the drain plugs [A] for cracks or damage and the drain plug mounting screws [B] are tightened securely.
- Examine the seals [C] for damage.
- ★ If necessary, replace the drain plugs or seals.



Periodic Maintenance Procedures

Electrical System

Battery Charging Condition Inspection

Battery charging condition can be checked by measuring battery terminal voltage.

- Disconnect the battery cables (see Battery Removal in the Electrical System chapter).

**CAUTION**

**Be sure to disconnect the negative (-) cable first.**

- Measure the battery terminal voltage.

**NOTE**

○ Measure with a digital voltmeter [A] which can be read one decimal place voltage.

- ★ If the reading is below the specified, refreshing charge is required (see Refreshing Charge in the Electrical System chapter).

**Battery Terminal Voltage**

**Standard: 12.8 V or more**

- Connect the battery leads, positive (+) first.

Battery Terminals Inspection

- Examine the battery terminal screws [A] for tightness and make sure terminal covers are in place.

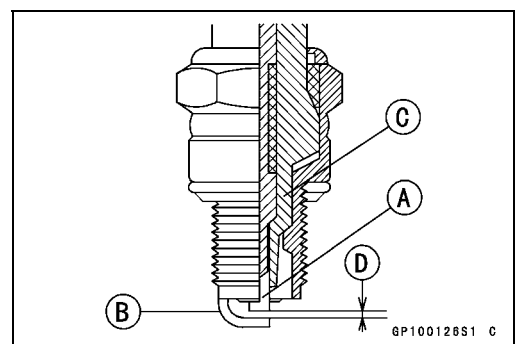
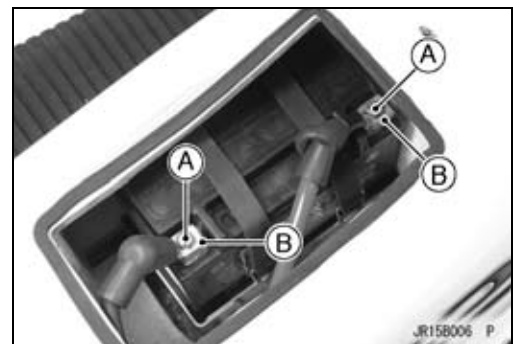
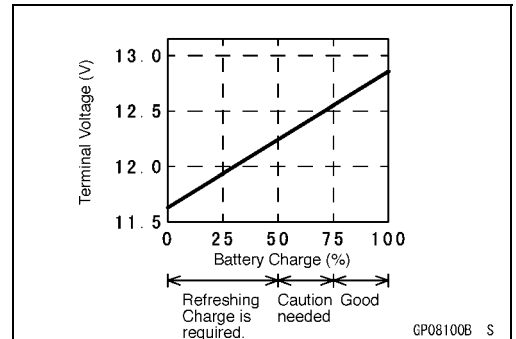
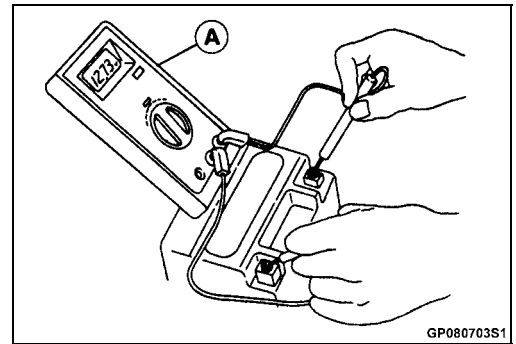
**⚠ WARNING**

**Loose battery cables can create sparks which can cause a fire or explosion resulting in injury or death. Make sure the battery terminal screws are tightened securely and the covers are installed over the terminals.**

- Check that the battery terminals [B] are not corroded.
- ★ If necessary, remove the battery (see Electrical System chapter) and clean the terminals and cable ends using a solution of baking soda and water.
- After attaching both cables, coat the terminals and cable ends with grease to prevent corrosion.
- Install the battery (see Electrical System chapter).

Spark plug inspection

- Remove the spark plug (see Electrical System chapter).
- Examine the ceramic insulator [C] and electrodes [A] [B].
- ★ If the insulator appears glazed or very white, or if there are gray metallic deposits on the electrodes, combustion chamber temperatures are too high. (Refer to Troubleshooting.)
- ★ If the insulator appears dry and sooty the fuel/air mixture is overly rich.
- ★ If the insulator and electrodes are wet and oily, an improper oil type or an excess oil output may be the cause.
- ★ If the ceramic insulator is cracked, replace the plug.
- ★ If the electrodes are badly worn or burned, replace the plug.
- Examine the spark plug threads.
- ★ If the threads are damaged, replace the plug.



## 2-18 PERIODIC MAINTENANCE

### Periodic Maintenance Procedures

#### Spark Plug Adjustment

- Measure the spark plug gap [D].
- Check the distance between the electrodes with a feeler gauge or a wire gauge.

#### Spark Plug Gap

Standard: 0.7 ~ 0.8 mm (0.028 ~ 0.031 in.)

- ★ If the gap is not within specifications, adjust it.
- Adjust the gap by carefully bending the side electrode with a tool designed for this purpose.

#### Spark Plug Cleaning

- Clean the electrodes and the ceramic insulator around the center electrode with an abrasive blasting device.
- Be certain that all abrasive particles are removed from the plug.
- Clean the entire plug in a high flash-point solvent.

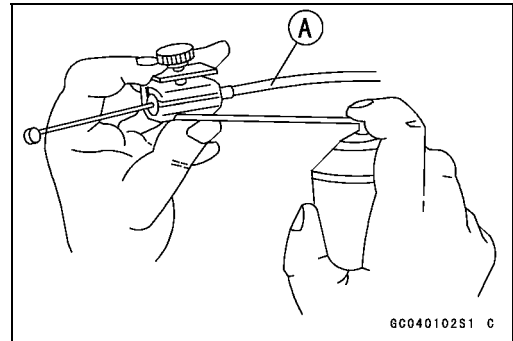
### Lubrication

As in all marine craft, adequate lubrication and corrosion protection is an absolute necessity to provide long, reliable service. Refer to the Periodic Maintenance Chart for the frequency of the following items.

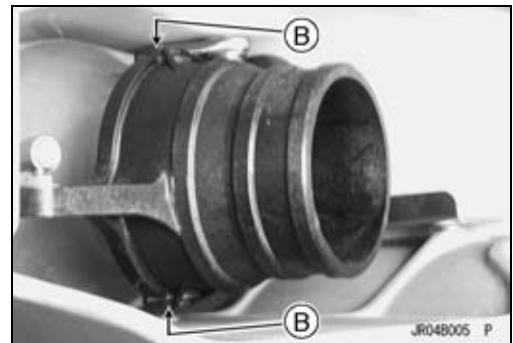
- Lubricate the following with a penetrating rust inhibitor.

**Throttle Cable [A]**

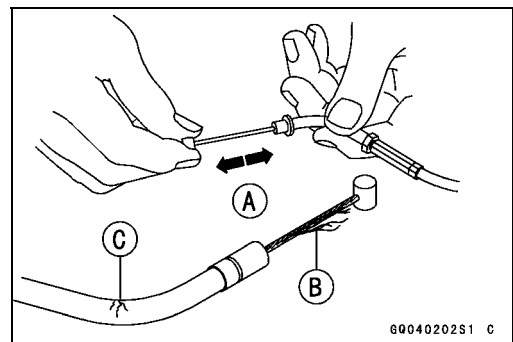
**Choke Cable [A]**



**Steering Nozzle Pivots [B]**

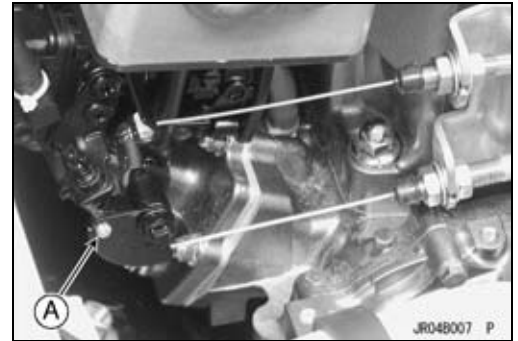
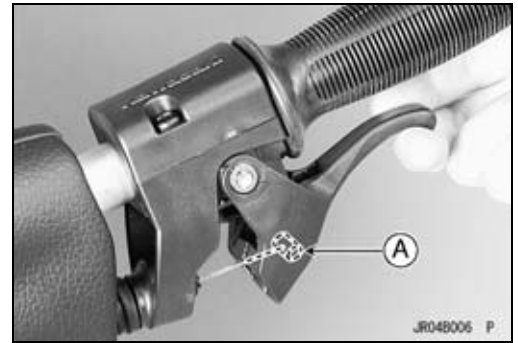


- With the cable disconnected at both ends, the cable should move freely [A] within the cable housing.
- ★ If cable movement is not free after lubricating, if the cable is frayed [B], or if the cable housing is kinked [C], replace the cable.

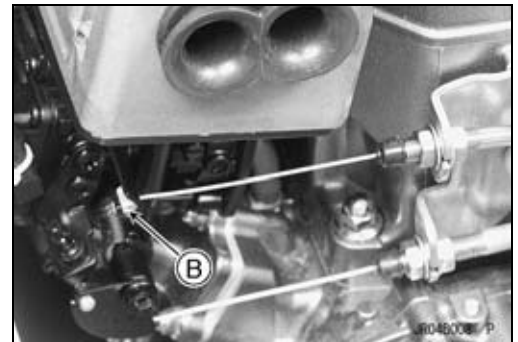


Periodic Maintenance Procedures

- Lubricate the following with a grease.  
Throttle Cable Ends [A]



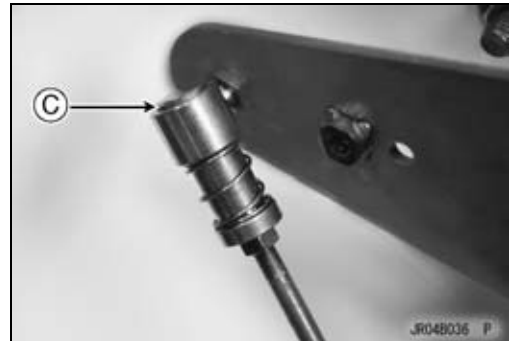
Choke Cable Ends [B]



## 2-20 PERIODIC MAINTENANCE

### Periodic Maintenance Procedures

#### Steering Cable Ball Joints [C]



#### All Hoses, Hose Clamps, Nuts, Bolts and Fasteners Check

##### *Nuts, Bolts, and Fasteners Tightness Inspection*

- Check the tightness of the bolts and nuts listed here. Also, check to see that each cotter pin is in place and in good condition.

#### NOTE

○For the engine fasteners, check the tightness of them when the engine is cold (at room temperature).

- ★If there are loose fasteners, retighten them to the specified torque following the specified tightening sequence. Refer to the appropriate chapter for torque specifications. If torque specifications are not in the appropriate chapter, see the Standard Torque Table. For each fastener, first loosen it by 1/2 turn, then tighten it.
- ★If cotter pins are damaged, replace them with new ones.

#### Nut, Bolt, and Fastener to be checked

Engine:

- Engine Bed Mounting Bolts
- Air Inlet Cover Mounting Bolts
- Carburetor Mounting Bolts
- Inlet and Exhaust Manifold Nuts
- Exhaust Pipe Mounting Bolts
- Exhaust Chamber Mounting Bolts
- Cylinder Head Nuts
- Cylinder Base Nuts

Drive Shaft and Pump:

- Drive Shaft Holder Mounting Bolts
- Pump Mounting Bolts
- Pump Cover Mounting Bolts
- Pump Grate Mounting Bolts
- Steering Nozzle Pivot Bolts



**Periodic Maintenance Procedures**

Steering:

- Handlebar Clamp Bolts
- Steering Shaft Locknut
- Steering Holder Mounting Bolts
- Steering Neck Mounting Bolts
- Ball Joint
- Steering Cable Nut

Hull and Engine Hood:

- Towing Eyes
- Bumper Rivets
- All Cable Joint Balls (Threads)

Electrical System:

- Spark Plug Caps
- Starter Motor Mounting Bolts
- Battery Terminal

**Hose and Hose Connect Inspection**

- Check the following hoses for leakage [A] hardening, cracking [B], scratching, cuts, abrasions, breaks and bulges [C]. And make sure the hoses are not kinked or pinched.

- Fuel Hoses
- Fuel Vent Hose
- Cooling Hoses
- Bilge Hoses

- ★ If a hose is damaged in any way, replace it immediately and check all the others for damage.

- Make sure the above hoses are routed properly and secured with the clamps away from any moving parts and sharp edged portions.

- Plastic Clamp [A]
- Hose [B]
- Hose Fitting [C]

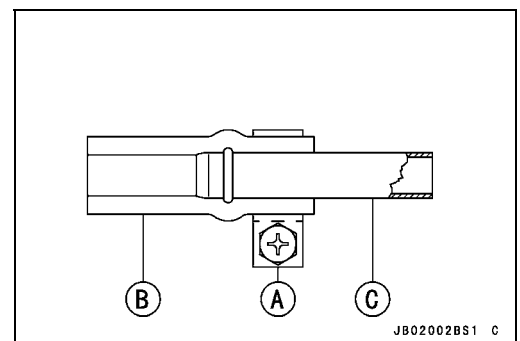
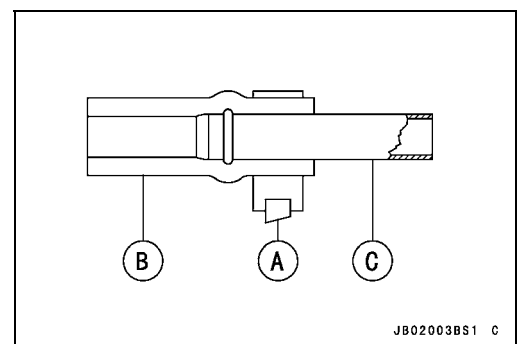
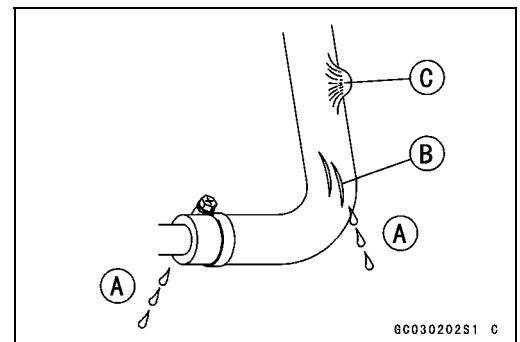
**NOTE**

- The majority of bilge hoses have no clamps at the hose ends.

- Metal Clamp [A]
- Hose [B]
- Hose Fitting [C]

**NOTE**

- Check the fuel and exhaust tubes for signs of wear, deterioration, damage or leakage. Replace if necessary.
- Make sure the above tubes are secured with the metal gear clamps away from any parts.



## 2-22 PERIODIC MAINTENANCE

### Periodic Maintenance Procedures

#### *Rubber Strap Inspection*

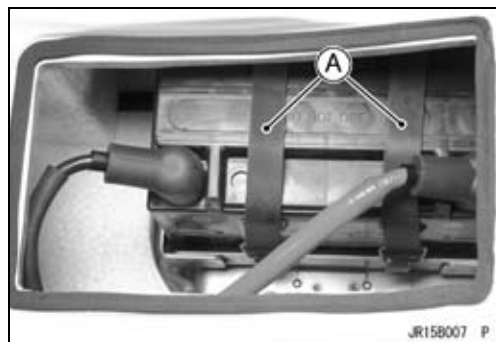
- Check the following rubber straps for any deterioration or damage. Pull on squeeze the straps and look for cracks.

Battery Straps [A]

Fuel Tank Straps

Water Box Muffler Strap

- ★ If a strap is damaged in any way, replace it.



# Fuel System

## Table of Contents

Exploded View .....	3-2	Pop-off Pressure Inspection.....	3-22
Specifications .....	3-6	Float Arm Level and Diaphragm Inspection and Adjustment.....	3-23
Special Tool .....	3-7	Fuel Pump .....	3-24
Fuel System Diagram .....	3-8	Fuel Pump Removal .....	3-24
Throttle Cable and Case.....	3-9	Fuel Pump Installation .....	3-25
Throttle Cable Adjustment .....	3-9	Fuel Filter Inspection and Cleaning .....	3-25
Throttle Case Removal/Disas- sembly.....	3-9	Flame Arrester.....	3-26
Throttle Case Assembly/Installa- tion .....	3-10	Flame Arrester Removal.....	3-26
Throttle Cable Removal .....	3-11	Flame Arrester Installation.....	3-26
Throttle Cable Installation .....	3-12	Flame Arrester Cleaning.....	3-26
Throttle Case and Cable Lubrication.....	3-12	Inlet Manifold, Reed Valves.....	3-27
Throttle Cable Inspection .....	3-12	Inlet Manifold and Reed Valve Removal .....	3-27
Choke Cable.....	3-13	Inlet Manifold and Reed Valve Installation.....	3-27
Choke Cable Adjustment .....	3-13	Reed Valve Inspection .....	3-28
Choke Cable Removal .....	3-13	Reed Valve Holder Inspection.....	3-28
Choke Cable Inspection.....	3-13	Reed Valve Stop Inspection.....	3-28
Choke Cable Lubrication.....	3-13	Fuel Tank.....	3-29
Choke Knob Removal .....	3-13	Fuel Tank Removal .....	3-29
Choke Knob Installation .....	3-14	Fuel Tank Installation .....	3-31
Carburetor .....	3-15	Fuel Tank Cleaning .....	3-31
Idle Speed Adjustment.....	3-15	Fuel Filler and Tube Removal.....	3-32
Mixture Screw Adjustment .....	3-15	Fuel Filler and Tube Installation...	3-32
High Altitude Performance Adjustment .....	3-15	Fuel Filter Screen Cleaning .....	3-32
Carburetor Synchronization .....	3-15	Fuel Tap.....	3-33
Carburetor Removal.....	3-16	Fuel Tap Removal.....	3-33
Carburetor Installation.....	3-17	Fuel Tap Installation.....	3-33
Carburetor Disassembly .....	3-17	Fuel Tap Cleaning .....	3-33
Carburetor Assembly .....	3-19		
Carburetor Cleaning and Inspection.....	3-21		



**Exploded View**

<b>No.</b>	<b>Fastener</b>	<b>Torque</b>			<b>Remarks</b>
		<b>N·m</b>	<b>kgf·m</b>	<b>ft·lb</b>	
1	Throttle Cable Adjuster Locknuts	20	2.0	15	
2	Choke Cable Adjuster Locknuts	20	2.0	15	
3	Throttle Case Screws	3.9	0.40	35 in·lb	

G: Apply grease.

L: Apply a non-permanent locking agent.



**Exploded View**

No.	Fastener	Torque			Remarks
		N·m	kgf·m	ft·lb	
1	Carburetor Mounting Bolts	18	1.8	13	L
2	Flame Arrester Case Mounting Bolts	8.8	0.90	78 in·lb	L
3	Air Inlet Cover Mounting Bolts	8.8	0.90	78 in·lb	L
4	Holder Plate Screw	0.98	0.10	8.7 in·lb	
5	Main Jet	1.8	0.18	16 in·lb	
6	Pilot Jet	0.70	0.07	6.2 in·lb	
7	Float Arm Pin Screw	0.98	0.10	8.7 in·lb	
8	Carburetor Cover Screws	3.4	0.35	30 in·lb	
9	Carburetor Plate Screw	2.0	0.20	18 in·lb	
10	Inlet Manifold Mounting Nuts	9.8	1.0	87 in·lb	S
11	Fuel Pump Mounting Screws	0.70	0.07	6.2 in·lb	

12. Check Valve

13. Inlet Valve

14. Fuel Filter

G: Apply grease.

L: Apply a non-permanent locking agent.

S: Follow the specific tightening sequence.

## 3-6 FUEL SYSTEM

### Specifications

Item	Standard	Service Limit
<b>Carburetor</b>		
Make, Type	MIKUNI, BN40-38 × 2	---
Size	38 mm Venturi	---
Mixture Screws:		---
Low Speed	7/8 turn open	---
High Speed	3/4 turn open	---
Main Jet	#132.5	---
Pilot Jet	#72.5	---
Inlet Valve System:		
Valve Seat Size	1.5 mm	---
Arm Spring Load	80 g	---
Pop-off Pressure	262 kPa (2.67 kgf/cm <sup>2</sup> , 38 psi)	---
Idle Speed:		---
in Water	1 250 ±100 rpm	---
out of Water	1 700 ±100 rpm	---
<b>Reed Valve</b>		
Reed Warp	---	0.2 mm (0.008 in.)
<b>Fuel Tank</b>		
Capacity	17 L (including 3.0 L reserve)	---

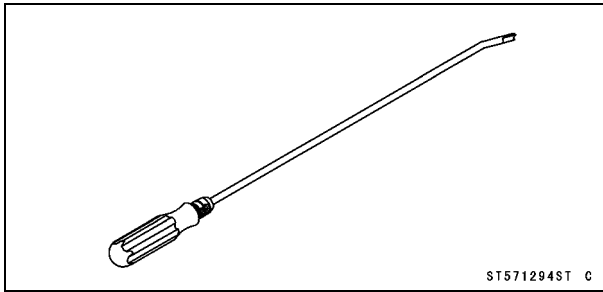


---

**Special Tool**

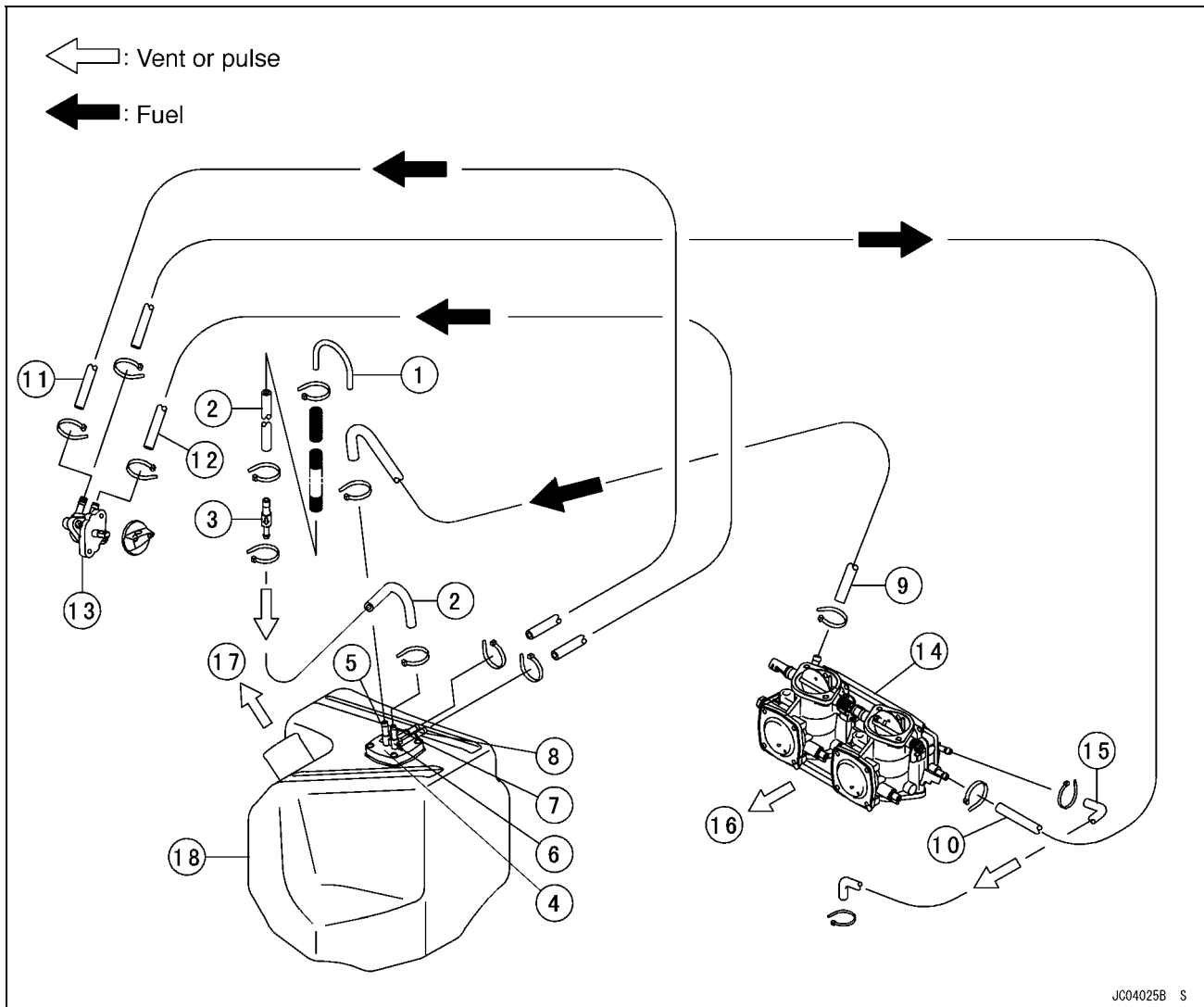
---

**Watercraft Strap Tool:  
57001-1294**



# 3-8 FUEL SYSTEM

## Fuel System Diagram



JC04025B S

1. To handlebar
2. Vent Line
3. Fuel vent check valve:  
The fuel vent check valve must be mounted so that the arrow is pointing toward the fuel tank.
4. Fuel Filter
5. RETURN
6. VENT
7. RESERVE
8. ON
9. Return Line
10. Supply Line
11. Reserve Line
12. Main Line
13. Fuel Tap
14. Carburetor
15. Pulse Line
16. Engine Side
17. Bow
18. Fuel Tank

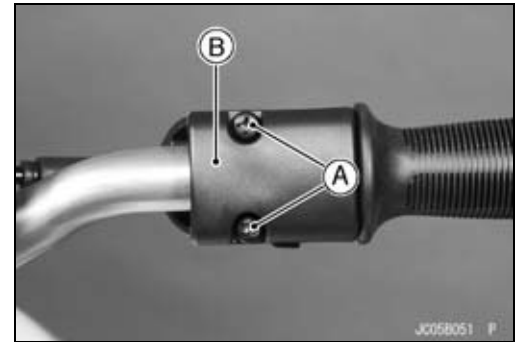
## Throttle Cable and Case

### Throttle Cable Adjustment

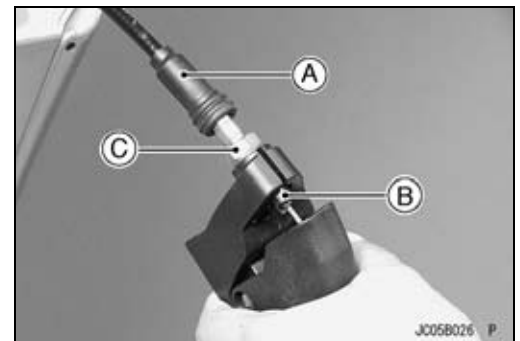
- Refer to Throttle Cable Adjustment in the Periodic Maintenance chapter.

### Throttle Case Removal/Disassembly

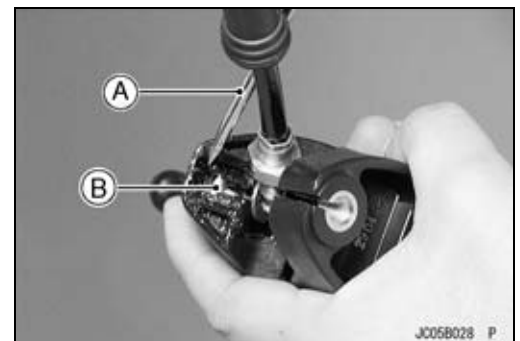
- Remove the throttle case.
- Unscrew the throttle case screws [A] and separate the case halves [B].



- Disconnect the throttle cable from the case.
- Slide the rubber boots [A] and rubber cap [B] out of the place.
- Unscrew the throttle cable fitting nut [C].



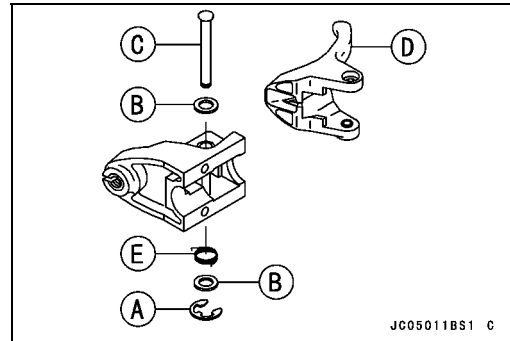
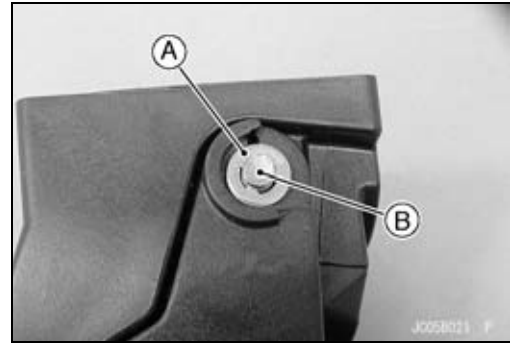
- Use a screw driver [A] to separate the tip [B] of the cable end from the case body.



## 3-10 FUEL SYSTEM

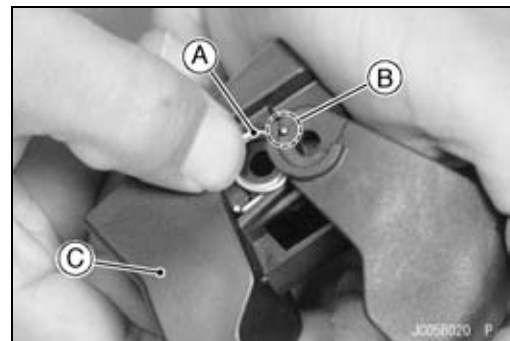
### Throttle Cable and Case

- Disassemble the throttle case.
- Remove the circlip [A], flat washer [B], Pin [C], throttle control lever [D] and return spring [E] from the case [F].

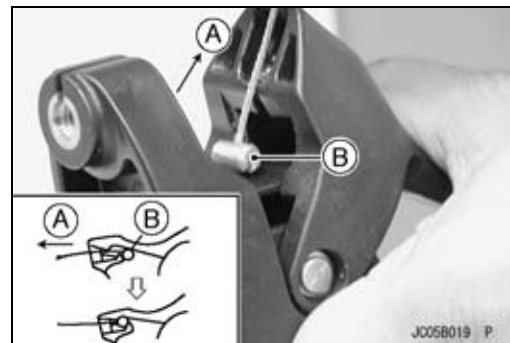


#### Throttle Case Assembly/Installation

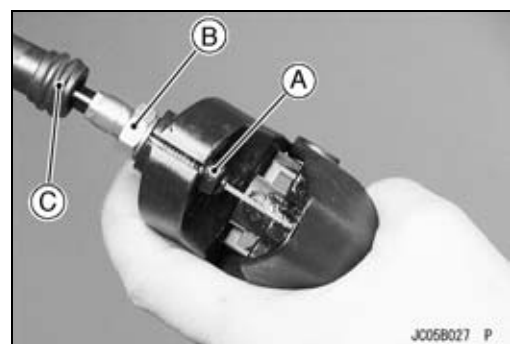
- Insert the end of the return spring [A] in the throttle control lever hole [B] and set the spring in the throttle case [C] as shown.
- Install the control lever to the case.



- Lubricate the throttle cable before assembly/installation.
- Apply water resistance grease to the tips of the throttle cable end.
- Pulling the throttle cable [A], position the tips [B] of the cable end as shown.
- Tighten the cable fitting nut.



- Be sure the rubber cap [A] is in place on the throttle cable fitting nut end.
- Cover the cable fitting nut [B] with the rubber boot [C].



## Throttle Cable and Case

- Tighten:
  - Torque - Throttle Case Screws: 3.9 N·m (0.40 kgf·m, 35 in·lb)
- Swing the throttle control lever so that the carburetor throttle valve is fully open.

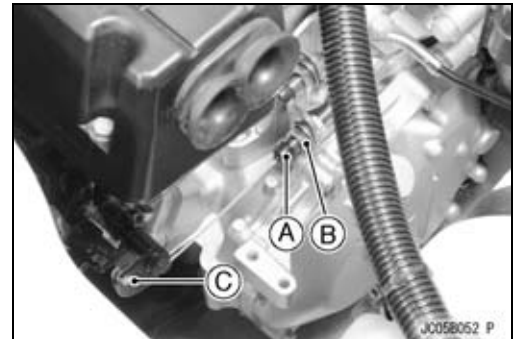
### **⚠ WARNING**

**Operation with an improperly assembled throttle case could result in an unsafe riding condition.**

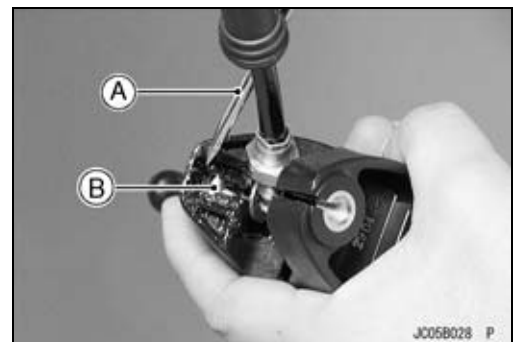
- Adjust the throttle cable (see Throttle Cable Adjustment).

### *Throttle Cable Removal*

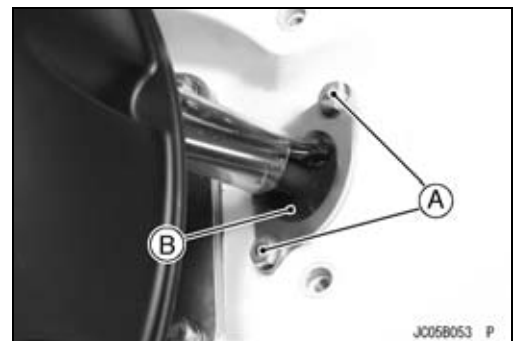
- Remove the engine hood (see Hull/Engine Hood chapter).
- Disconnect the throttle cable from the carburetor.
  - Slide out the rubber cap [A].
  - Unscrew the adjuster locknut [B] and slide the cable from the bracket.
  - Slide the tip [C] of the cable lower end from the shaft lever.



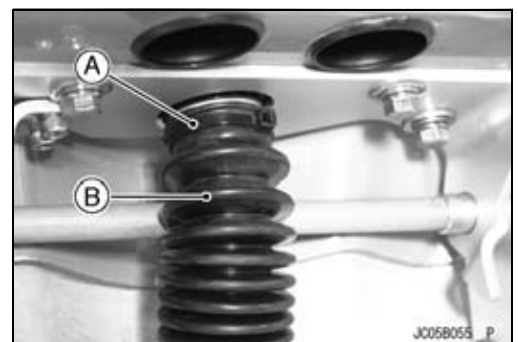
- Remove the throttle case (see Throttle Case Removal).
- Slide the rubber boot out of the place.
- Unscrew the throttle cable fitting nut.
- Remove the upper end of the cable from the case.
  - Use a screwdriver [A] to separate the cable tip [B] from the throttle lever catch.



- Remove the steering cover bolts.
- Unscrew the rubber holder bolts [A], remove the throttle cable [B] from the rubber holder.



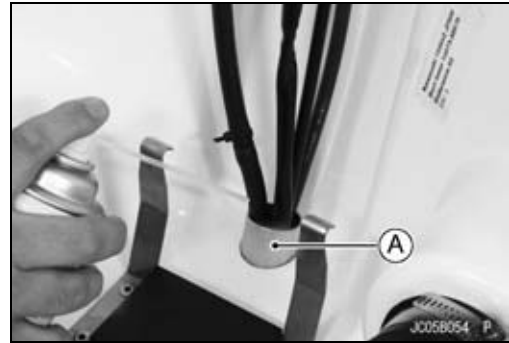
- Cut off the band [A] and pull the rubber tube [B] downward.



## 3-12 FUEL SYSTEM

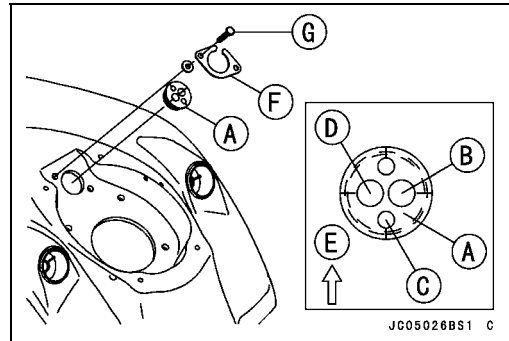
### Throttle Cable and Case

- Pull the throttle cable from the pipe [A].
- Lubricate the cable passage in the pipe with a penetrating rust inhibitor.
- Reach under the front deck and pull the throttle cable from the pipe.



#### Throttle Cable Installation

- Lubricate the outside of the new cable with a penetrating rust inhibitor to ease cable installation.
- Install the throttle cable to the rubber holder [A] as shown.
  - Harness Passage [B]
  - Throttle Cable Passage [C]
  - Fuel Tank Vent Tube Passage [D]
  - Bow [E]
  - Rubber Holder Plate [F]
  - Rubber Holder Bolt [G]



- Route the following correctly (see Cable, Wire, and Hose Routing in the Appendix chapter).
  - Throttle Cable
  - Steering Cable
  - Fuel Tank Vent Tube
  - Switch Housing Harness
- Adjust the following.
  - Throttle Cable
- Check that the throttle lever moves smoothly from full open to close, and the throttle closes quickly and completely in all steering positions by return spring.
- ★ If the throttle lever does not return properly, check the throttle routing, cable adjustments, and cable damage. Then lubricate the throttle cable.
- Run the engine at the idle speed, and turn the handlebar all the way to the right and left, or/and up and down to ensure that the idle speed does not change.
- ★ If the idle speed increase, check the throttle cable adjustment and the cable routing.

#### Throttle Case and Cable Lubrication

- Refer to Lubrication in the Periodic Maintenance chapter.

#### Throttle Cable Inspection

- Refer to Lubrication in the Periodic Maintenance chapter.

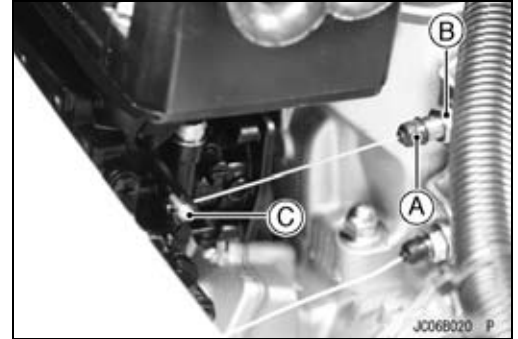
## Choke Cable

### Choke Cable Adjustment

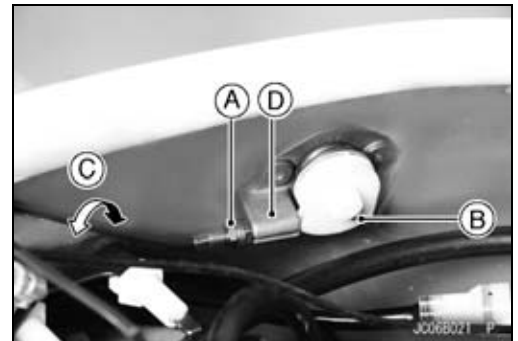
- Refer to Choke Cable Adjustment in the Periodic Maintenance chapter.

### Choke Cable Removal

- Remove the engine hood (see Hull/Engine Hood Removal).
- Disconnect the choke cable from the carburetor.
  - Remove the rubber cap [A].
  - Unscrew the adjuster locknut [B] and slide the cable from the bracket.
  - Slide the tips [C] of the cable lower end from the pivot arm.



- Loosen the locknut [A] and disconnect the cable tip [B].
- Cut the bands.
- Turn [C] the choke cable counterclockwise and remove it from the bracket [D].



### Choke Cable Inspection

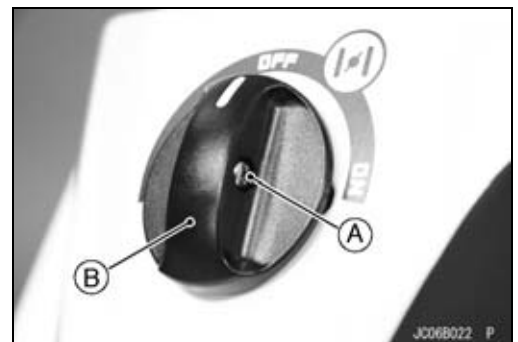
- Refer to Lubrication in the Periodic Maintenance chapter.

### Choke Cable Lubrication

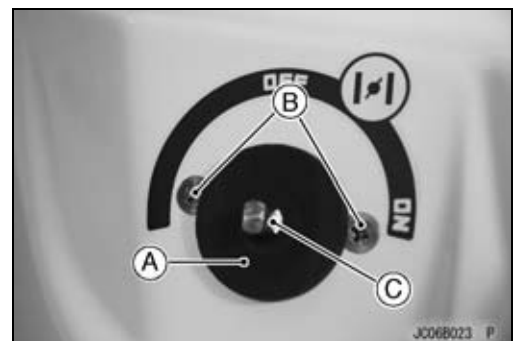
- Refer to Lubrication in the Periodic Maintenance chapter.

### Choke Knob Removal

- Disconnect the choke cable end of the carburetor side (see Choke Cable Removal).
- Remove the set screw [A] and take out the choke knob [B] and damper.



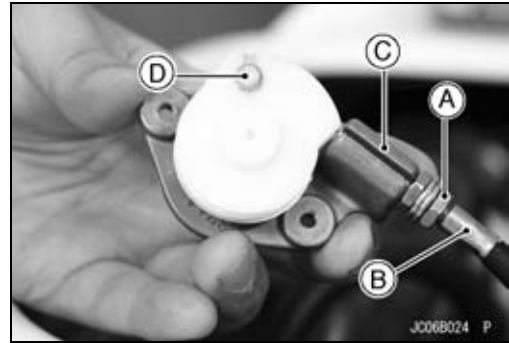
- Remove the damper [A].
- Remove the cable holder mounting screws [B].
- Remove the choke knob shaft [C] with cable.



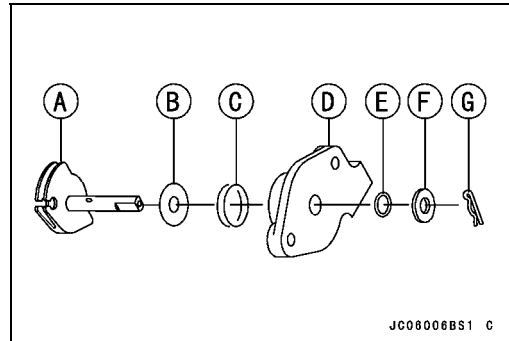
## 3-14 FUEL SYSTEM

### Choke Cable

- Loosen the locknut [A] and unscrew the cable [B] from the holder [C].
- Slide the tip [D] of the choke inner cable out of the pulley on the choke knob shaft.

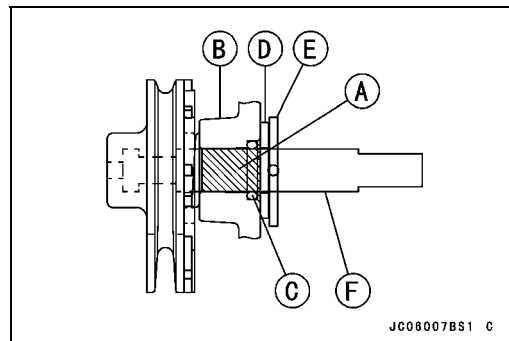


- Remove the pin and washer, and pull out the choke knob shaft from the cable holder.
  - Choke Knob Shaft [A]
  - Washer [B]
  - Spring [C]
  - Cable Holder [D]
  - O-ring [E]
  - Washer [F]
  - Pin [G]



#### Choke Knob Installation

- Grease the indicated area [A] the O-ring is installed.
  - Cable Holder [B]
  - O-ring [C]
  - Washer [D]
  - Pin [E]
  - Choke Knob Shaft [F]
- Apply a non-permanent locking agent to the set screw and tighten it.
- Route the choke cable according to the Cable Routing section in the Appendix chapter.
- Adjust the choke cable (see Choke Cable Adjustment).





## Carburetor

### Idle Speed Adjustment

- Refer to Idle Speed Adjustment in the Periodic Maintenance chapter.

### Mixture Screw Adjustment

Since every carburetor is adjusted individually at the factory using a flow meter, specific mixture screw settings cannot be given. After adjustment, a cap [A] is installed over each mixture screw head [B] with the point straight level [C] to identify proper mixture screw settings for each unit. DO NOT CHANGE THESE SETTINGS. If the carburetor is tampered with and these settings cannot be relocated, set the mixture screws to the following guide line.

- Pull out the mixture screw caps.
- To set each screw, turn it in until seats lightly, and then back it out the specified number of turns.

Mixture Screw	Turns out
Low Speed (lower) [D]	7/8
High Speed (upper) [E]	3/4

These guideline represent a “starting point” from which additional fine tuning of the carburetor may be necessary.

### CAUTION

**Do not force the mixture screws into their seats. You could damage the screws or the carburetor. Operating the watercraft with the high speed screw at too lean a setting (screwed in clockwise too far) could cause serious engine damage.**

### High Altitude Performance Adjustment

The normal carburetor settings are best for sea level (see Mixture Screw Adjustment). If the watercraft is used at the higher elevations, the lower atmospheric pressure makes the carburetion richer. To obtain the proper carburetor setting at higher elevations, turn in the high speed screw according to the following table.

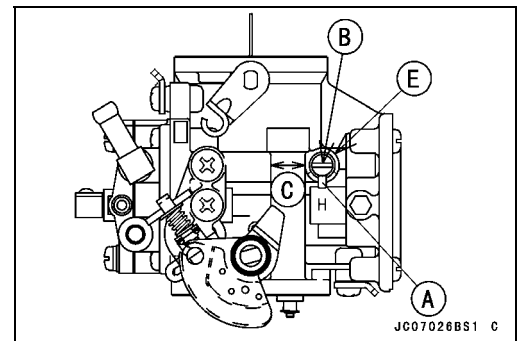
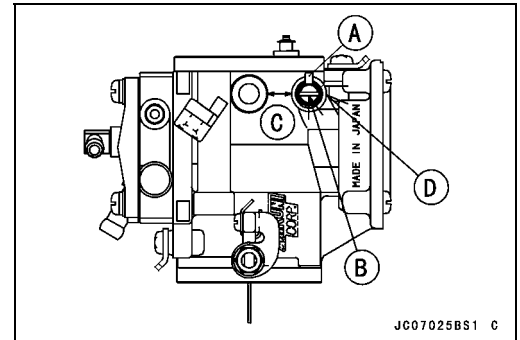
Altitude m (ft)	Turn the high speed screw in the normal position
1 000 (3 300)	1/8 turn
2 000 (6 600)	1/4 turn
3 000 (10 000)	3/8 turn

### NOTE

- The adjustment of the low speed screw is not required on the actual usage.

### Carburetor Synchronization

- Refer to Carburetor Synchronization in the Periodic Maintenance chapter.



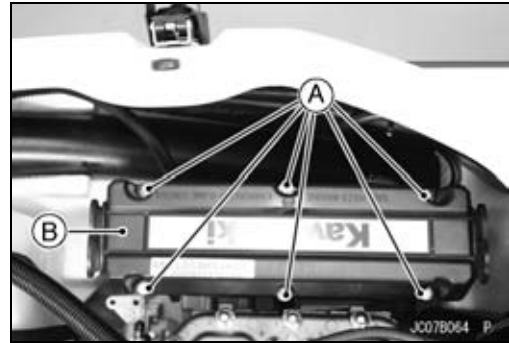
## 3-16 FUEL SYSTEM

### Carburetor

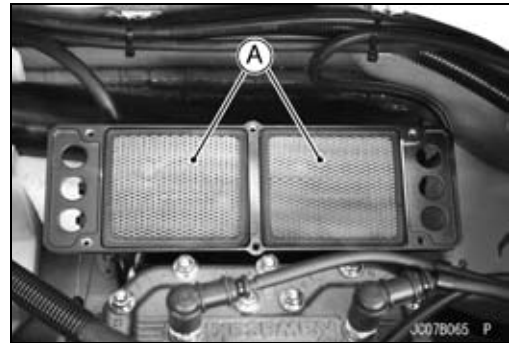
#### Carburetor Removal

- Remove the engine hood (see Hull/Engine Hood chapter).

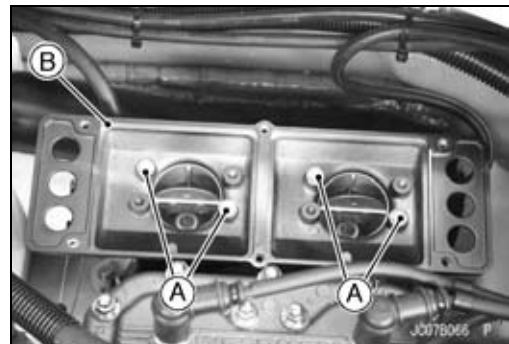
- Remove:
  - Air Inlet Cover Mounting Bolts [A]
  - Air Inlet Cover [B]



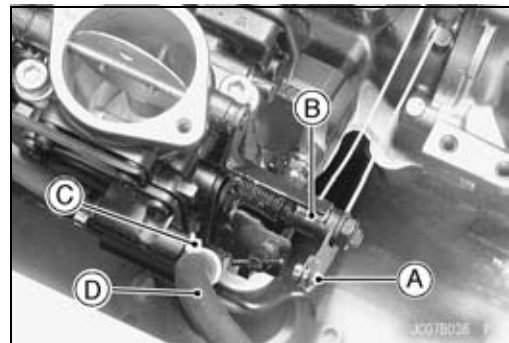
- Pull out the flame arrester [A].



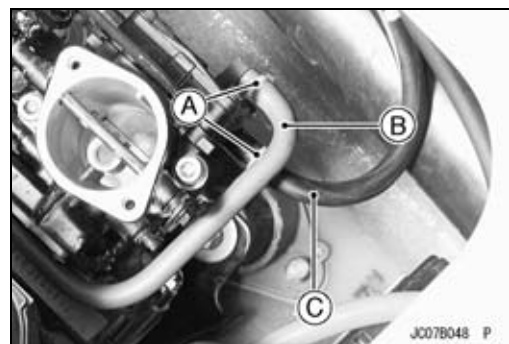
- Remove:
  - Flame Arrester Case Mounting Bolts [A]
  - Flame Arrester Case [B]



- Disconnect:
  - Throttle Cable End [A]
  - Choke Cable End [B]
  - Band (Cut off) [C]
  - Fuel Return Hoses at Carburetor (Remove) [D]

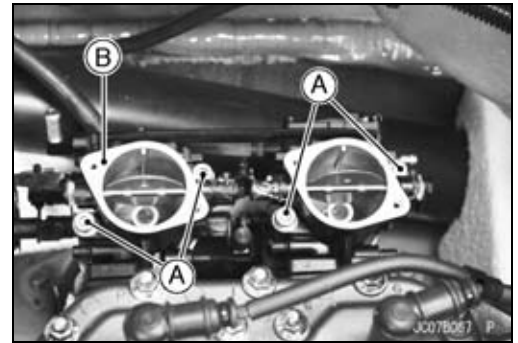


- Remove:
  - Bands (Cut off) [A]
  - Pulse Hose [B]
  - Fuel Supply Hose [C]



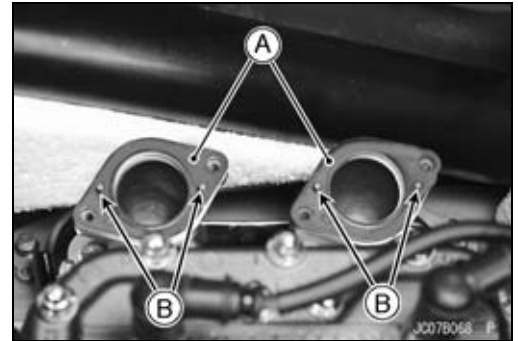
## Carburetor

- Remove the carburetor mounting bolts [A].
- Lift the carburetor [B] off the inlet manifold.



### Carburetor Installation

- Install a new gaskets [A] under the carburetor.
- Fit the holes of the carburetor onto the pins [B] of the inlet manifold.
- Apply a non-permanent locking agent to the carburetor mounting bolts, flame arrester case mounting bolts and air inlet cover mounting bolts.
- Connect the fuel hoses and pulse hose correctly (see Fuel System Diagram).
- Tighten:



**Torque - Carburetor Mounting Bolts: 18 N·m (1.8 kgf·m, 13 ft·lb)**

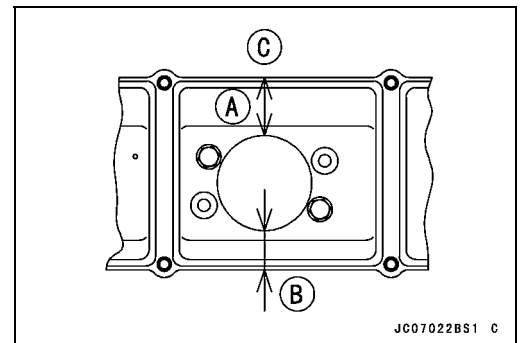
- Install the arrester case as shown.  
 Long (edge to outside diameter) [A]  
 Short (edge to outside diameter) [B]  
 Engine Side [C]

- Tighten:

**Torque - Frame Arrester Case Mounting Bolts: 8.8 N·m (0.90 kgf·m, 78 in·lb)**

**Air Inlet Cover Mounting Bolts: 8.8 N·m (0.90 kgf·m, 78 in·lb)**

- Adjust the throttle and choke cables (see Throttle Cable Adjustment, Choke Cable Adjustment).



### Carburetor Disassembly

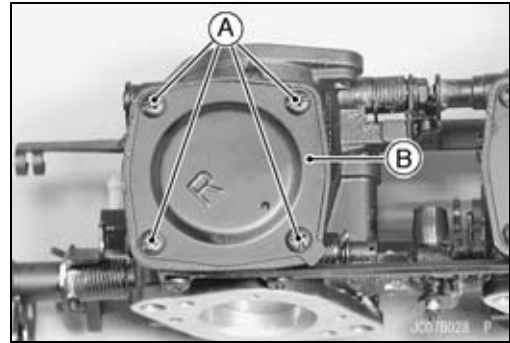
#### **⚠ WARNING**

**Gasoline is extremely flammable and can be explosive under certain conditions. Pull the lanyard key off the stop button. Do not smoke. Make sure the area is well ventilated and free from any source of flame or sparks; this includes any appliance with a pilot light.**

## 3-18 FUEL SYSTEM

### Carburetor

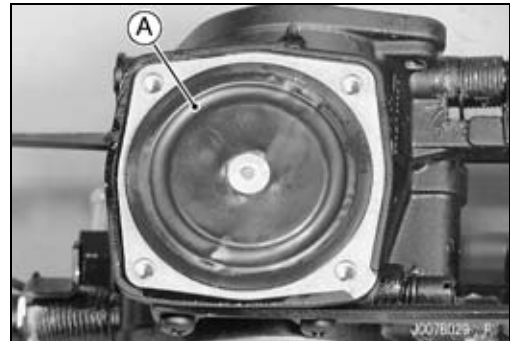
- Remove the carburetor (see Carburetor Removal).
- Unscrew the carburetor cover screws [A] and take off the carburetor cover [B].



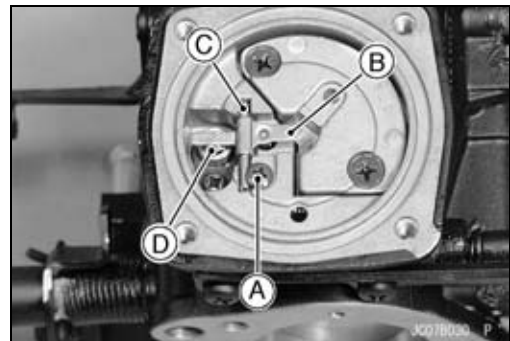
- Remove:  
Diaphragm [A]

#### CAUTION

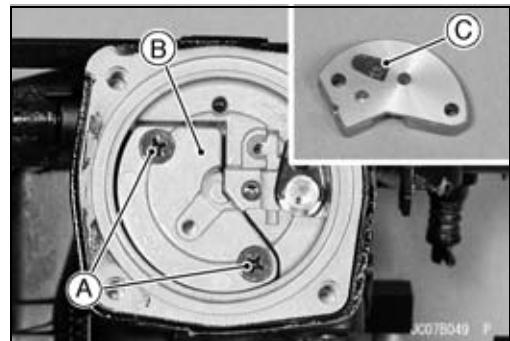
During carburetor disassembly, be careful not to damage the diaphragm. Never use a sharp edge to remove the diaphragm.



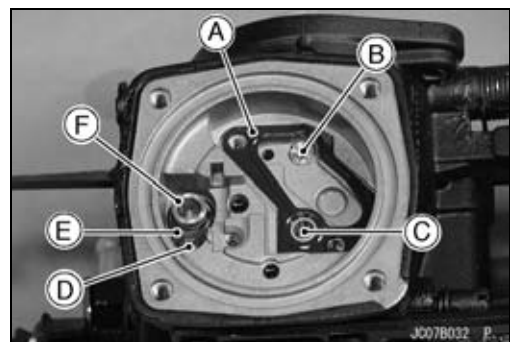
- Unscrew the float arm set screw [A].
- Remove:  
Float Arm [B]  
Pin [C]  
Spring  
Inlet Valve [D]



- Remove the mounting screws [A] and drop out the plate [B] with the check valve [C].



- Remove:  
Gasket [A]  
Main Jet [B]  
Pilot Jet [C]  
Screw [D]  
Plate [E]  
Inlet Valve Holder [F]



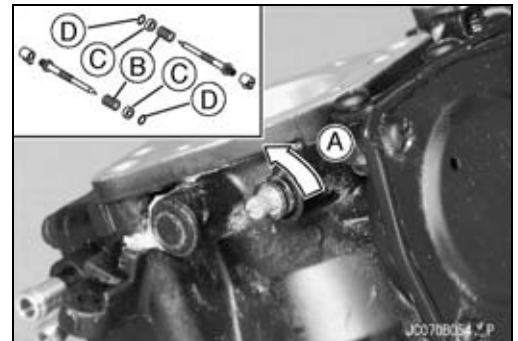
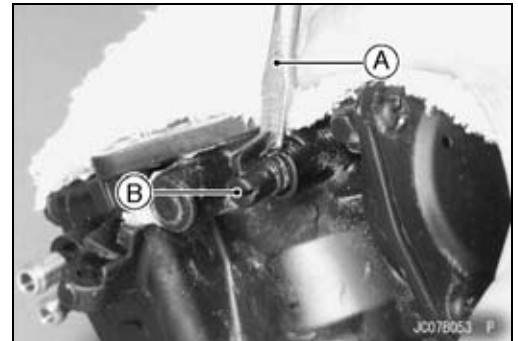
**Carburetor**

**NOTE**

○If the mixture screws need to be removed, check number of return rotations of mixture screws beforehand.

- Use a screw driver [A] to remove the cap [B] from the mixture screw.

- To remove the mixture screws, turn them counterclockwise [A] until they come out. Do not lose the spring [B], washer [C], and O-ring [D] on each screw.

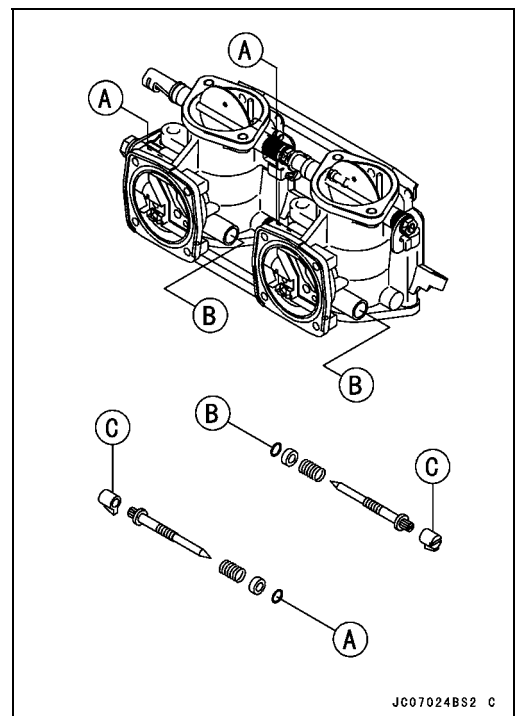


**Carburetor Assembly**

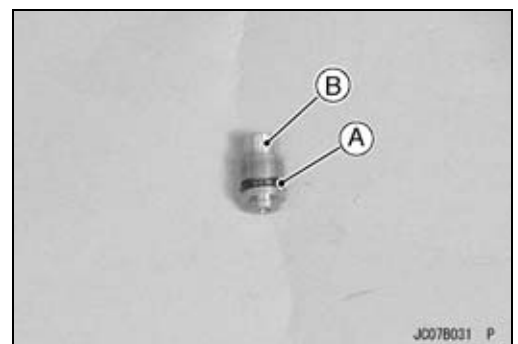
- If the mixture screws were removed, install them, as shown.

High Speed Screw [A]  
Low Speed Screw [B]

- Apply a non-permanent locking agent to the cap [C] inside.



- Apply grease to the O-ring [A] on the inlet valve holder [B].
- Install:
  - Inlet Valve Holder
  - Holder Plate
  - Screw
- Tighten:
  - Torque - Holder Plate Screw: 0.98 N·m (0.10 kgf·m, 8.7 in·lb)**



## 3-20 FUEL SYSTEM

### Carburetor

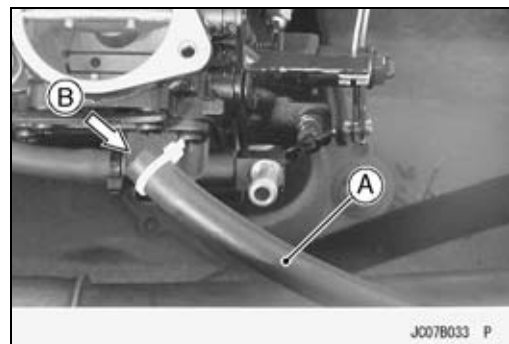
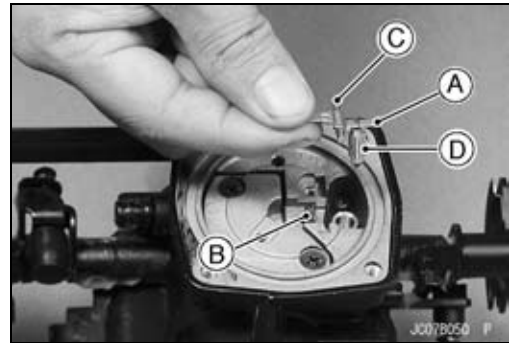
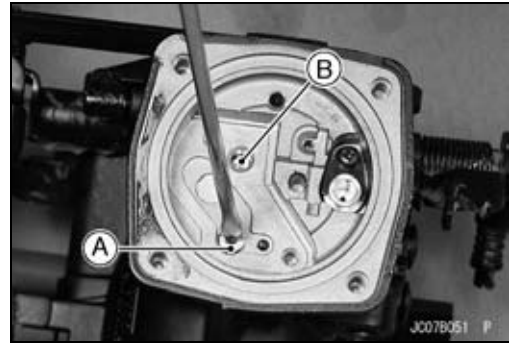
- Install:
  - Main Jet [A]
  - Pilot Jet [B]
- Tighten:
  - Torque - Main Jet: 1.8 N·m (0.18 kgf·m, 16 in·lb)**
  - Pilot Jet: 0.70 N·m (0.07 kgf·m, 6.2 in·lb)**
- Install the gasket and plate.
- Tighten the screws.
  - Torque - Plate Screws: 2.0 N·m (0.20 kgf·m, 18 in·lb)**
  
- Assemble the carburetor cover, as shown.
  - Float Arm [A]
  - Spring [B]
  - Pin [C]
  - Inlet Valve [D]
- Check the float arm level (see Float Arm Level Inspection and Adjustment).
- Tighten:
  - Torque - Float Arm Pin Screw: 0.98 N·m (0.10 kgf·m, 8.7 in·lb)**
  
- Install:
  - Diaphragm
  - Carburetor Cover
- Tighten:
  - Torque - Carburetor Cover Screws: 3.4 N·m (0.35 kgf·m, 30 in·lb)**

#### NOTE

- After the carburetor has been disassembled and cleaned, it should be primed before starting the engine to save the battery. Pull off the fuel return hose [A] at the carburetor, and blow [B] through it until fuel appears at the fuel return fitting on the carburetor. The fuel system is now full of fuel.

#### **⚠ WARNING**

Gasoline is extremely flammable and can be explosive under certain conditions. Pull the lanyard key of the stop button. Do not smoke. Make sure the area is well ventilated and free from any source of flame or sparks; this includes any appliance with a pilot light.



## Carburetor

### Carburetor Cleaning and Inspection

- Disassemble the carburetor (see Carburetor Disassembly).

#### **⚠ WARNING**

**Solvent is toxic and flammable. Avoid prolonged contact with skin and keep away from open flame. Use only in a well ventilated area. Eye protection should be worn when compressed air is used to dry parts. Do not direct air towards anyone. Use 172 kPa (1.75 kgf/cm<sup>2</sup>, 25 psi) maximum nozzle pressure.**

- Immerse all the metal parts in a carburetor cleaning solution.
- Rinse the parts in water.
- When the parts are clean, dry them with compressed air.
- Blow out the air and fuel passages with compressed air.
- Inspect the check valve [A] for damage or deterioration, and replace it if necessary.

- Check these rubber parts for damage.
  - O-ring [A]
  - Diaphragm [B]
  - Gasket [C]

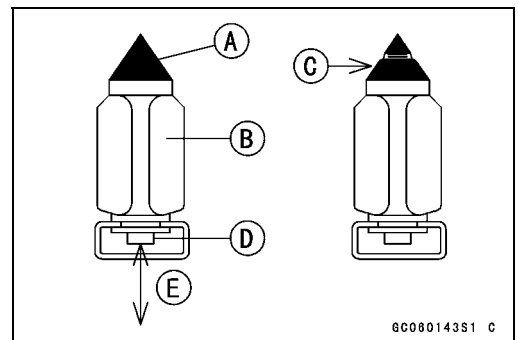
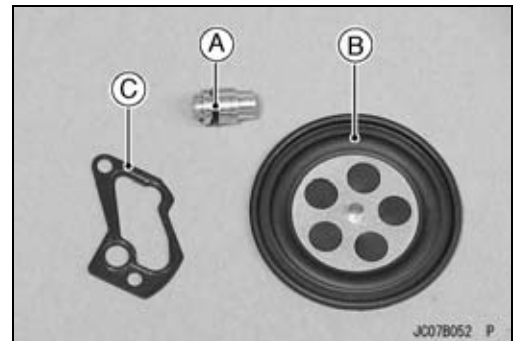
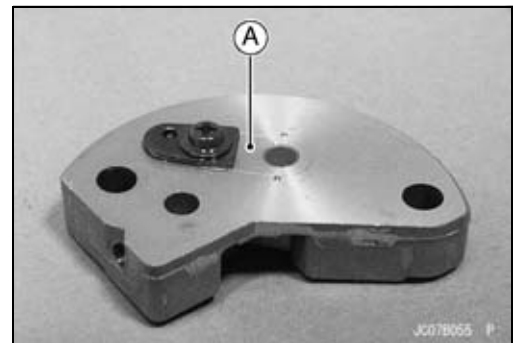
★ If any of these parts are not in good condition, replace them.

- Check the plastic tip [A] on the inlet valve needle [B]. It should be smooth, without any grooves, scratches, or tears.

★ If the plastic tip is damaged [C], replace the valve.

- Push the rod [D] in the other end of the inlet valve needle, and then release it [E].

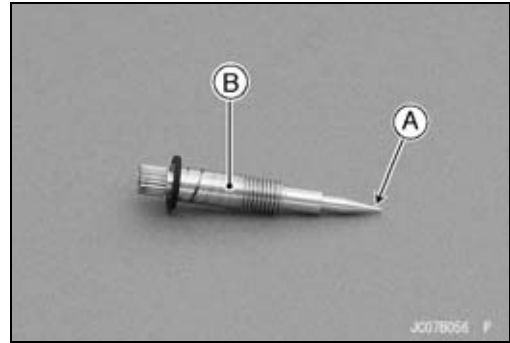
★ If the rod does not spring out, replace the inlet valve needle.



## 3-22 FUEL SYSTEM

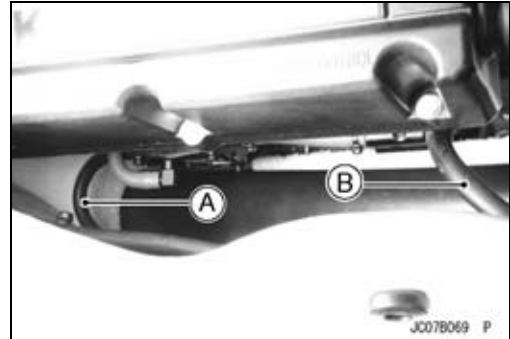
### Carburetor

- Check the tapered portion [A] of the mixture screw [B] for wear or damage.
- ★ If the pilot screw is worn or damaged on the tapered portion, it will prevent the engine from idling smoothly. Replace it.



#### Pop-off Pressure Inspection

- Remove the engine hood (see Hull/Engine Hood chapter).
- Pull the fuel supply hose [A] and return hose [B] out of their fittings on the carburetor.



- Connect the hose of the air-pump gauge tester [A] to the fuel supply fitting.
- Obstruct the fuel return fitting [B] securely with a finger.
- Pump the tester until the supply release pressure is reached (see by a sudden pressure drop).

#### Pop-off Pressure

Standard: 262 kPa (2.67 kgf/cm<sup>2</sup>, 38.0 psi)

#### NOTE

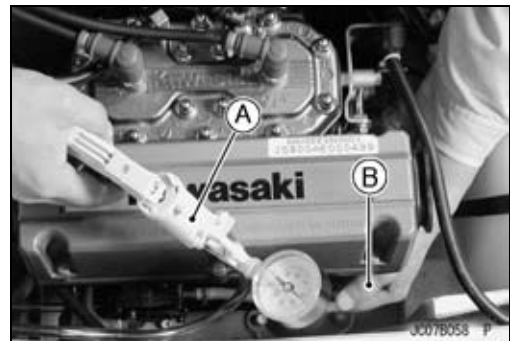
○ Pressure inspection should be performed three times to obtain a valid reading.

- ★ If the pop-off pressure value is not specified, inspect the float arm level (see Float Arm Level Inspection and Adjustment).

#### NOTE

○ Do not stretch or cut the float arm spring.

- Inspect other carburetor.





## Carburetor

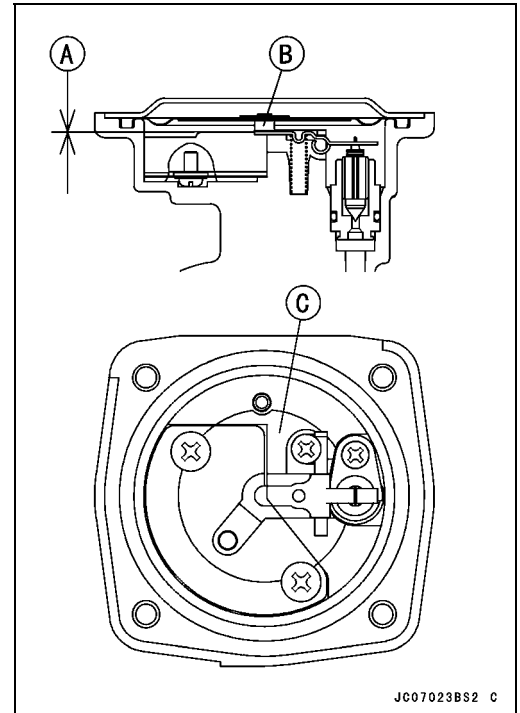
### *Float Arm Level and Diaphragm Inspection and Adjustment*

- Remove:
  - Carburetor (see Carburetor Removal)
  - Carburetor Cover (see Carburetor Disassembly)
- Measure the float arm level [A] between the contact portion [B] on the float arm and the carburetor case surface [C].

**Float Arm Level**

**0.0 ~ 0.2 mm (0.0 ~ 0.08 in.)**

- ★ If the float arm level is incorrect, bend the float arm very slightly to change the float arm level.

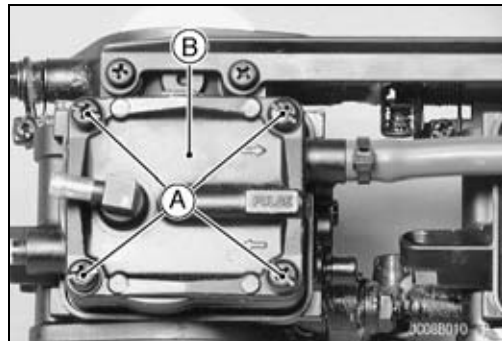


## 3-24 FUEL SYSTEM

### Fuel Pump

#### Fuel Pump Removal

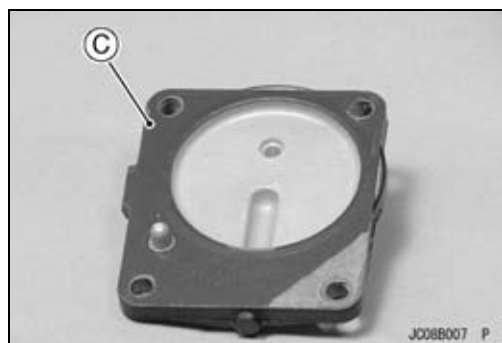
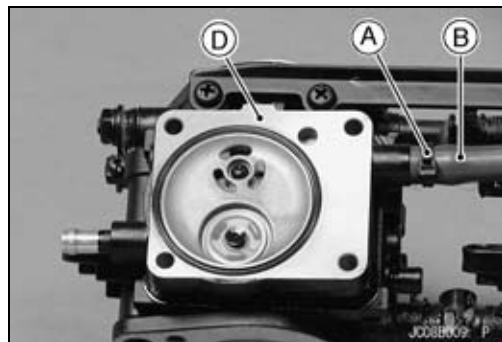
- Remove the carburetor (see Carburetor Removal).
- Remove the fuel pump body screws [A], and take the fuel pump cover [B] off the carburetor.



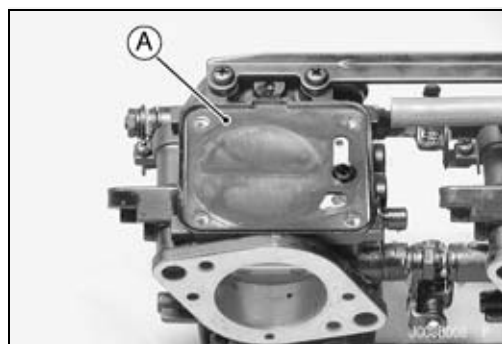
- Cut the band [A] and pull out the bypass hose [B].

#### CAUTION

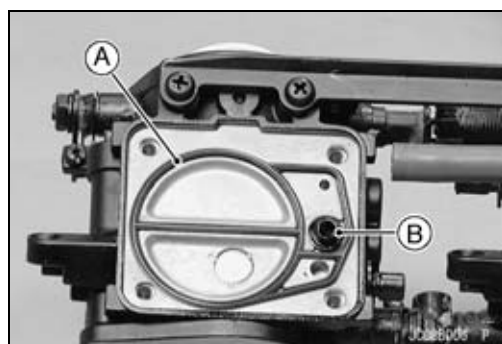
The fuel pump cover and fuel pump body should not be disassembled. If leakage is evident or internal damage is suspected, replace the fuel pump cover [C] and body [D].



- Remove the diaphragm [A].



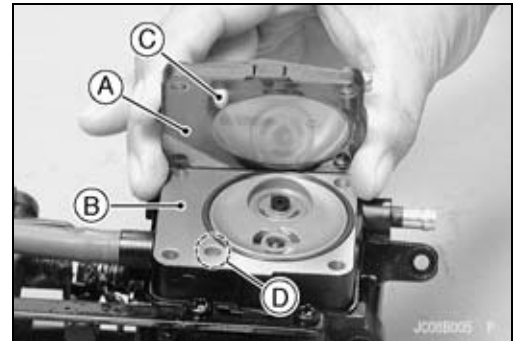
- Remove the O-ring [A].
- Pull out the fuel filter [B].



## Fuel Pump

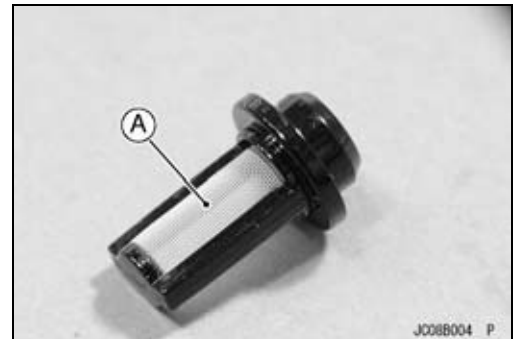
### Fuel Pump Installation

- Install the cover [A] to the body [B].
- Fit the projection [C] in the hole [D].



### Fuel Filter Inspection and Cleaning

- Remove the fuel filter (see Fuel Pump Removal).
- Check the fuel filter screen [A] for any break or deterioration.
- ★ If the screen has any break or is deteriorated, they may allow dirt to reach the carburetor, causing poor running. Replace the fuel filter.
- Wash the fuel filter screen in non-flammable or high-point solvent. Use a brush to remove any contaminants strapped in the screen.



### **⚠ WARNING**

**Clean the fuel screen in a well-ventilated area, and take ample care that there are no sparks or flame anywhere near the working area; this includes any appliance with a pilot light. Do not use gasoline or a low flash-point solvent. A fire or explosion could result.**

## 3-26 FUEL SYSTEM

---

### Flame Arrester

---

#### *Flame Arrester Removal*

- Refer to Flame Arrester Cleaning and Inspection in the Periodic Maintenance chapter.

#### *Flame Arrester Installation*

- Refer to Flame Arrester Cleaning and Inspection in the Periodic Maintenance chapter.

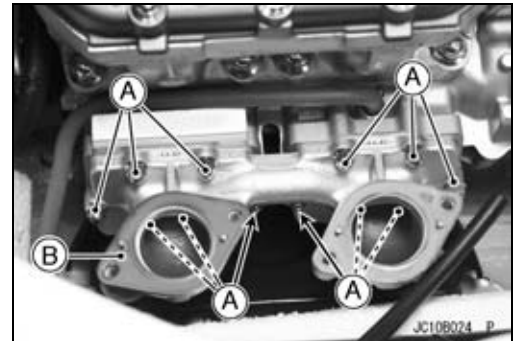
#### *Flame Arrester Cleaning*

- Refer to Flame Arrester Cleaning and Inspection in the Periodic Maintenance chapter.

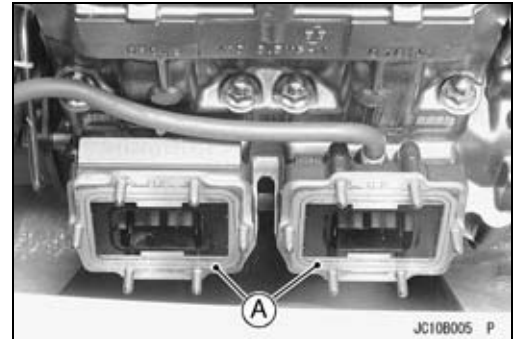
## Inlet Manifold, Reed Valves

### *Inlet Manifold and Reed Valve Removal*

- Remove:
  - Engine Hood (see Hull/Engine Hood chapter)
  - Air Inlet Cover (see Carburetor Removal)
  - Flame Arrester Case (see Carburetor Removal)
  - Carburetor (see Carburetor Removal)
- Remove the inlet manifold mounting nuts [A] and remove the inlet manifold [B].

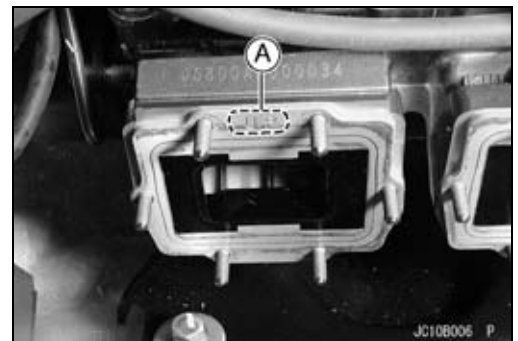


- Pull out the gaskets and the reed valves [A].

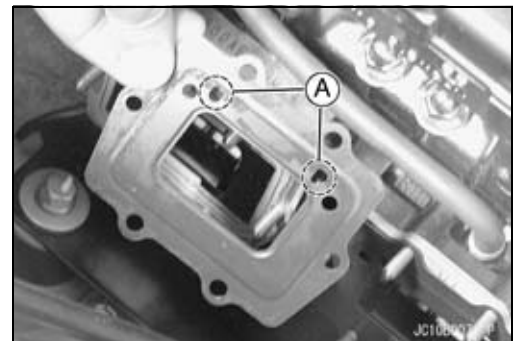


### *Inlet Manifold and Reed Valve Installation*

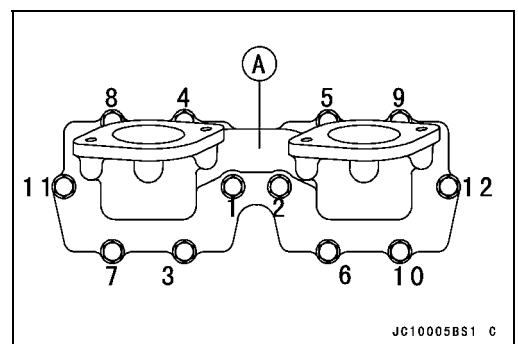
- Replace the gaskets with new ones.
- Install the reed valves so that the “UP” mark [A] is up.



- Install the inlet manifold gasket so that the “UP” mark [A] facing is up.



- Install the inlet manifold [A]
- Tighten the mounting nuts, following the sequence indicated in the figure
  - Torque - Inlet Manifold Mounting Nuts: 9.8 N·m (1.0 kgf·m, 88 in·lb)**
- Install the removed parts.



## 3-28 FUEL SYSTEM

### Inlet Manifold, Reed Valves

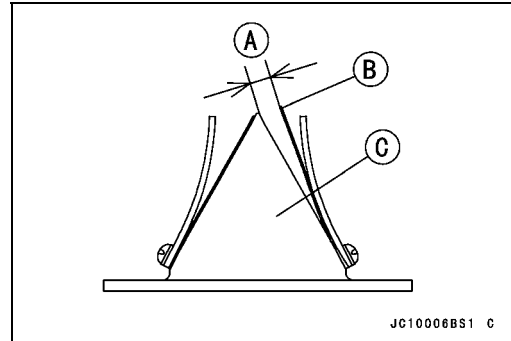
#### Reed Valve Inspection

- Check reed warp by measuring the clearance [A] between each reed [B] and the valve holder [C].
- ★ If any one of the clearance measurements exceeds the service limit, replace the reed valve assembly with a new one.

#### Reed Warp

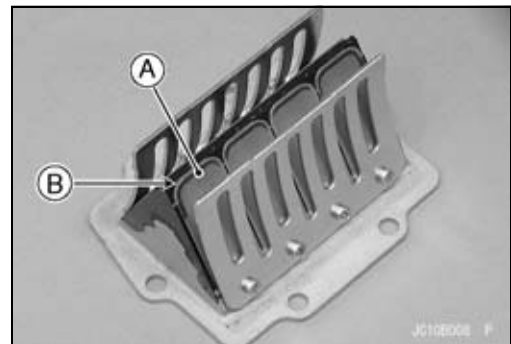
**Service Limit: 0.2 mm (0.008 in.)**

- Check the mounting screw tightness.
- Visually inspect the reeds for cracks, folds, or other damage.
- ★ If there is any doubt as to the condition of a reed, replace the reed valve assembly.
- ★ If a reed becomes wavy, replace the reed valve assembly with a new one even if reed warp is less than there service limit.
- Install the reed and stop onto the reed valve holder, aligning the chamfered corner of the reed with that of the reed stop.



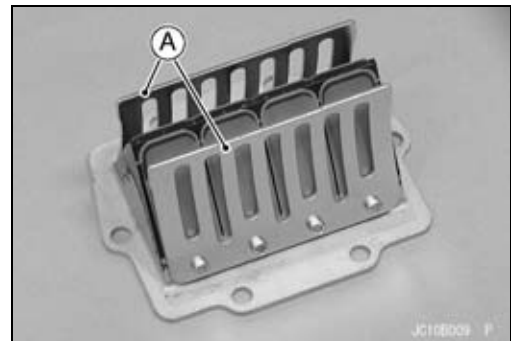
#### Reed Valve Holder Inspection

- Check the reed [A] contact areas of the valve holder for grooves, scratches, or other damage.
- Check that the rubber coating [B] on the valve holder does not show any signs of separation from the holder.
- ★ If there is any doubt as to the condition of the rubber coating, replace the reed valve assembly with a new one.



#### Reed Valve Stop Inspection

- Check the valve stops [A] for deformation, cracks, or other damage.
- ★ If there is any doubt as to the condition of a stop, replace the reed valve assembly with a new one.



## Fuel Tank

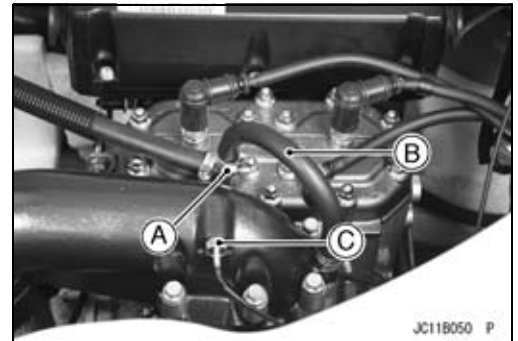
### Fuel Tank Removal

- Remove the engine hood (see Hull/Engine Hood chapter).
- If the level of the fuel is above the inlet neck, siphon some fuel out to prevent spilling it.

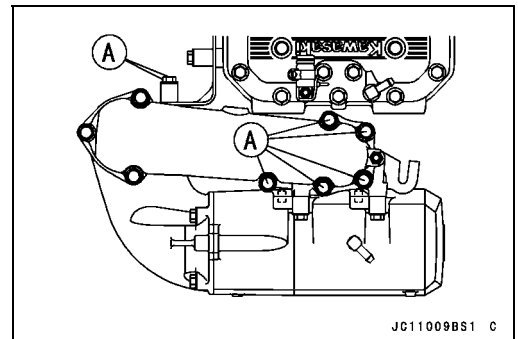
**⚠ WARNING**

**Gasoline is extremely flammable and can be explosive under certain conditions. Pull the lanyard key off the stop button. Do not smoke. Make sure the area is well-ventilated and free from any source of flame or sparks; this includes any appliance with a pilot light.**

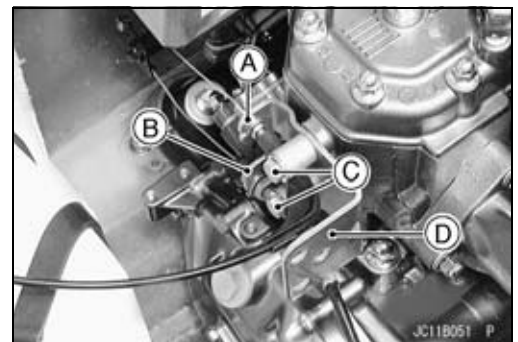
- Loosen the clamp [A] and remove the flushing hose [B].
- Remove the water temperature sensor [C].



- Remove:
  - Bypass Hose End
  - Bolts [A]
  - Clamp (Loosen)
- Remove the exhaust pipe and exhaust chamber.



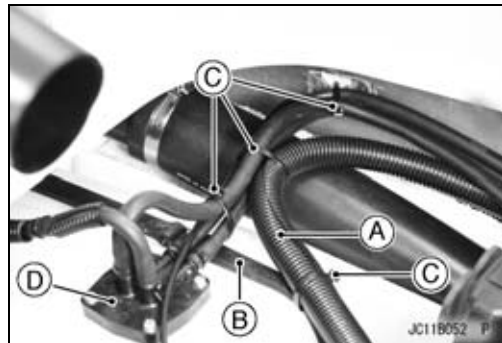
- Remove:
  - Choke Cable Adjuster Nut [A]
  - Throttle Cable Adjuster Lock Nut [B]
  - Cable Holder Bolts [C]
  - Cable Holder [D]



## 3-30 FUEL SYSTEM

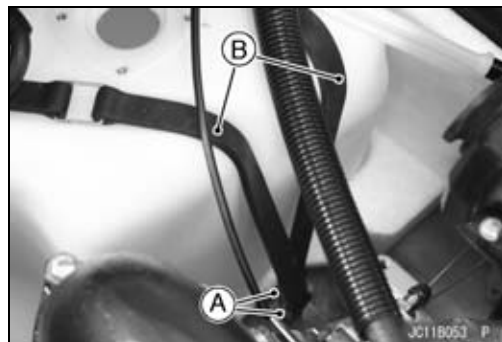
### Fuel Tank

- Cut the band [C] holding the flushing hose [A] and rubber strap [B].
- Remove the fuel filter [D] (see Fuel Filter Cleaning).

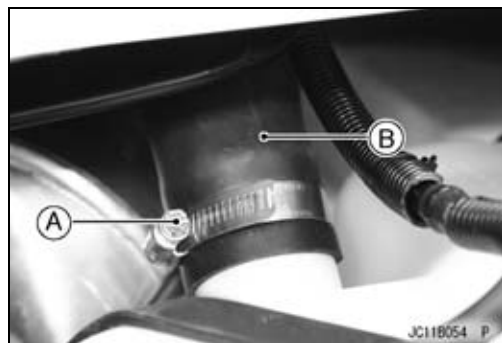


- Push down the holders [A] and remove the rubber straps [B].

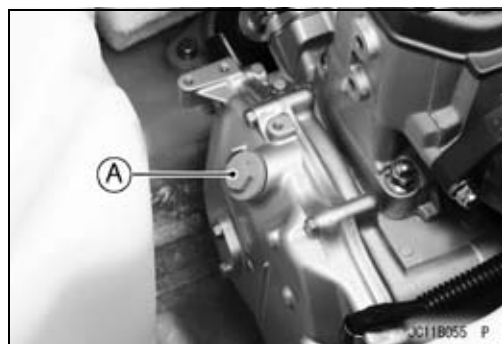
**Special Tool - Watercraft Strap Tool: 57001-1294**



- Loosen the clamp bolt [A] and remove the fuel inlet pipe [B] from the fuel tank.



- Remove the magneto cover cap [A].



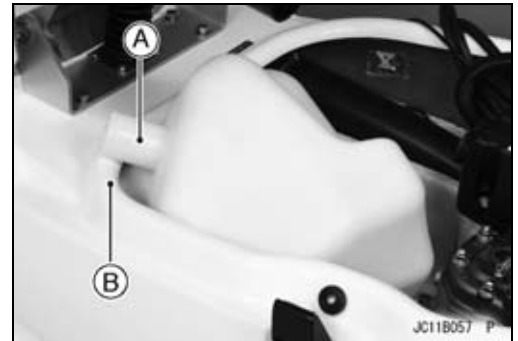
- Move the back of fuel tank on the magneto cover [A] as shown.





**Fuel Tank**

- Turn the fuel tank counterclockwise, put the filler neck [A] on the left portion [B] of the engine compartment as shown.



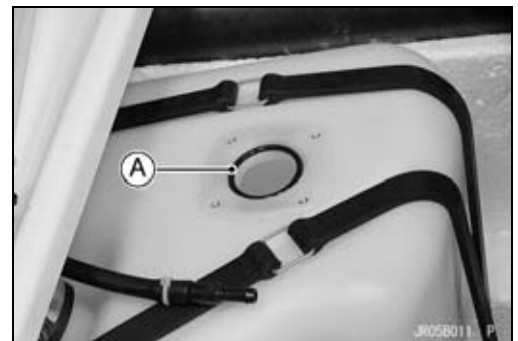
- Clear the fuel tank, putting the filler neck on the left portion of the engine compartment.



*Fuel Tank Installation*

- Fuel tank installation is reverse of removal.
- Be sure the O-ring [A] is on the fuel tank.
- Apply a non-permanent locking agent to the magneto cover mounting bolts, cable holder bolts and exhaust pipe mounting bolts and tighten them securely.

**Torque - Cable Holder Bolts: 29 N·m (3.0 kgf·m, 22 ft·lb)**  
**Exhaust Pipe Mounting Bolts: 29 N·m (3.0 kgf·m, 22 ft·lb)**



*Fuel Tank Cleaning*

- Remove the fuel tank (see Fuel Tank Removal).
- Drain the tank into a suitable container.

**⚠ WARNING**

**Gasoline is extremely flammable and can be explosive under certain conditions. Pull the lanyard key off the stop button. Do not smoke. Make sure the area is well ventilated and free from any source of flame or sparks; this includes any appliance with a pilot light.**

- Flush the tank repeatedly with high flash-point solvent until it is clean. It may be necessary to put a few marbles or pieces of clean gravel into the tank and shake it, to knock loose any foreign matter in the bottom.

**⚠ WARNING**

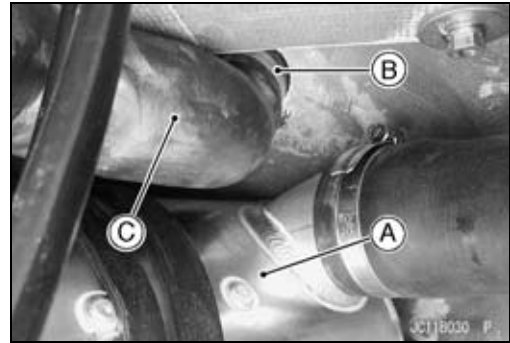
**Clean the tank in a well-ventilated area, and take ample care that there are no sparks or flame anywhere near the working area; this includes any appliance with a pilot light. Do not use gasoline or a low flash-point solvent to clean the tank. A fire or explosion could result.**

## 3-32 FUEL SYSTEM

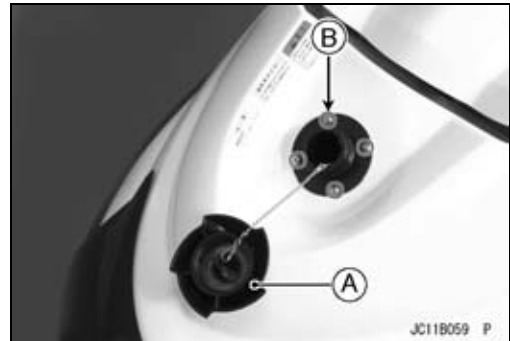
### Fuel Tank

#### Fuel Filler and Tube Removal

- Remove:
  - Fuel Tank (see Fuel Tank Removal)
  - Water Box Muffler [A] (see Exhaust System chapter)
- Loosen the clamp [B] and twist the filler tube [C] off the bottom of the filler.



- Unscrew the fuel cap [A].
- Take out the screws [B] in the filler flange, and pull the filler and the gasket away from the hull.



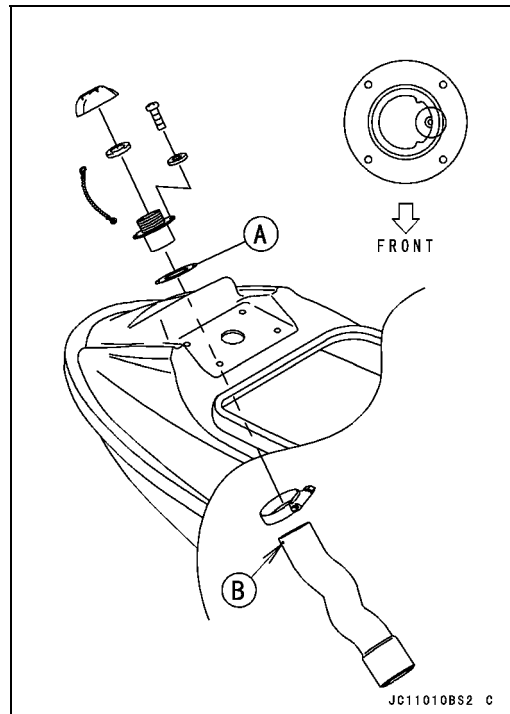
#### Fuel Filler and Tube Installation

- Clean the hull and the filler on their mating surfaces with a graceless, high flash-point solvent.

#### **WARNING**

Clean the parts in a well ventilated area, and take ample care that there are no sparks or flame anywhere near the working area; this includes any appliance with pilot light. Do not use gasoline or a low flash-point solvent. A fire or explosion could result.

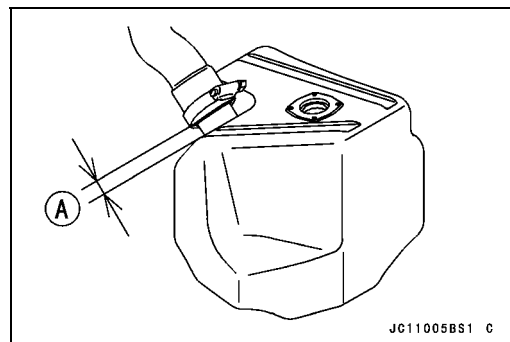
- Replace the gasket [A] with a new one.
- Put the tube onto the filler fully with the white mark [B] faced bow.



- Put the tube onto the tank as shown.  
10 mm (0.39 in.) [A]

#### **NOTE**

○Do not twist the tube, when installing tube on the tank.



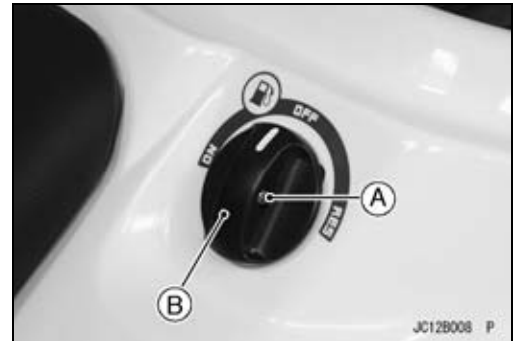
#### Fuel Filter Screen Cleaning

- Refer to Fuel Filter Screen Cleaning in the Periodic Maintenance chapter.

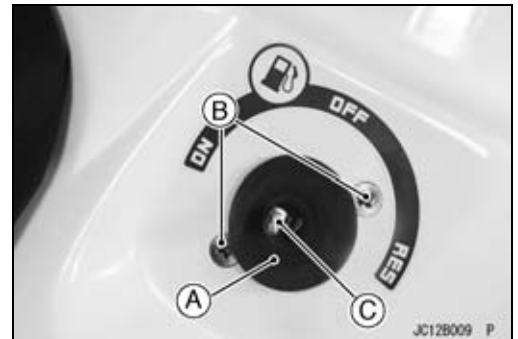
## Fuel Tap

### Fuel Tap Removal

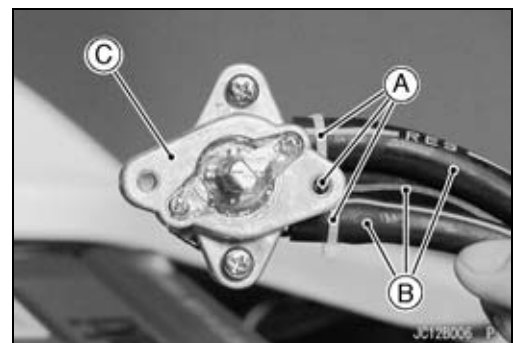
- Unscrew the set screw [A] and take out the fuel tap knob [B].



- Remove the damper [A] and the mounting screws [B], and take out the fuel tap [C].

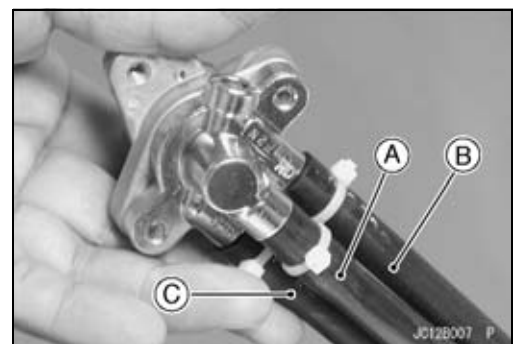


- Cut the band [A].
- Pull the fuel hoses [B] off the fuel tap [C].



### Fuel Tap Installation

- Connect the fuel hoses to the fuel tap correctly.
  - ON [A]
  - Fuel Supply [B]
  - Reserve [C]
- Apply a non-permanent locking agent to the fuel tap mounting screws and tighten them securely.



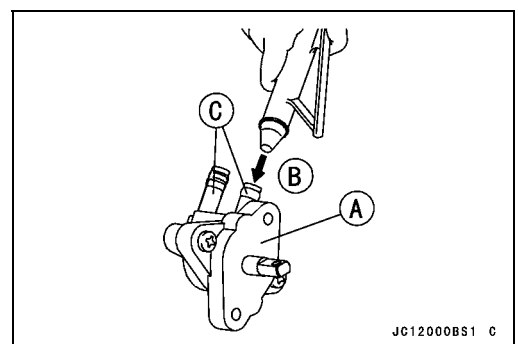
### Fuel Tap Cleaning

If the fuel tap becomes clogged with foreign matter, it must be cleaned.

- Remove the fuel tap [A] (see Fuel Tap Removal).
- Use compressed air to blow [B] through supply hose fitting [C], while switching the fuel tap right and left between the "ON" and "RES" positions.
- Do this until only blockage is forced out.

#### NOTE

○Do not use too high air pressure (172 kPa, 1.8 kgf/cm<sup>2</sup>, 25 psi max.).





---

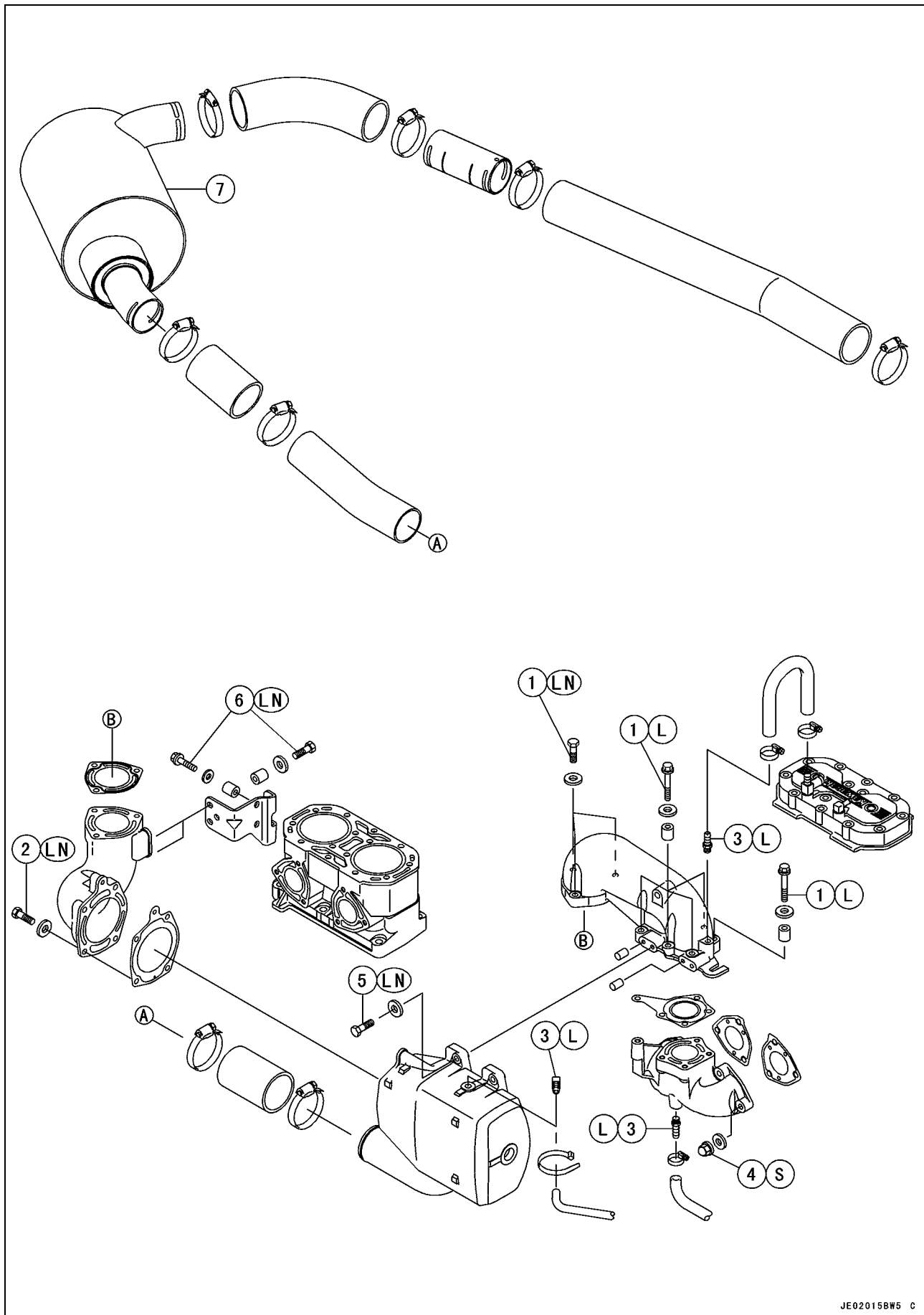
# Exhaust System

## Table of Contents

Exploded View .....	4-2
Expansion Chamber .....	4-4
Expansion Chamber Removal .....	4-4
Expansion Chamber Installation .....	4-5
Expansion Chamber Cleaning and Inspection .....	4-5
Exhaust Manifold .....	4-6
Exhaust Manifold Removal .....	4-6
Exhaust Manifold Installation .....	4-6
Exhaust Manifold Cleaning and Inspection .....	4-6
Water Box Muffler .....	4-7
Water Box Muffler Removal .....	4-7
Water Box Muffler Inspection .....	4-7

# 4-2 EXHAUST SYSTEM

## Exploded View



**Exploded View**

No.	Fastener	Torque			Remarks
		N·m	kgf·m	ft·lb	
1	Exhaust Pipe Mounting Bolts	29	3.0	22	L, LN
2	Front Muffler Mounting Bolts	29	3.0	22	L
3	Water Hose Joints	11	1.1	95 in·lb	L
4	Exhaust Manifold Mounting Nuts	20	2.0	14.5	S
5	Expansion Chamber Mounting Bolts	29	3.0	22	L
6	Muffler Bracket Mounting Bolts	29	3.0	22	L

## 7. Water Box Muffler

L: Apply a non-permanent locking agent.

LN: Apply a non-permanent locking agent (High Strength: Loctite 271 equivalent)

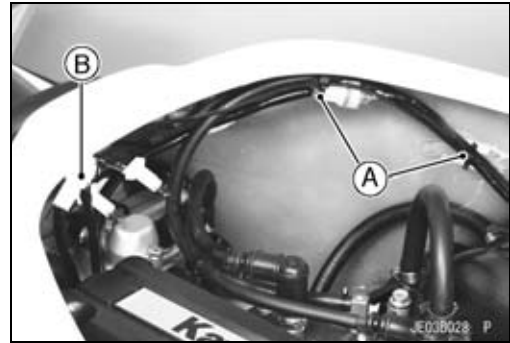
S: Follow the specified tightening sequence.

## 4-4 EXHAUST SYSTEM

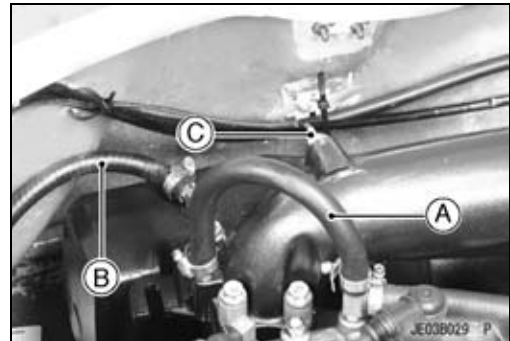
### Expansion Chamber

#### Expansion Chamber Removal

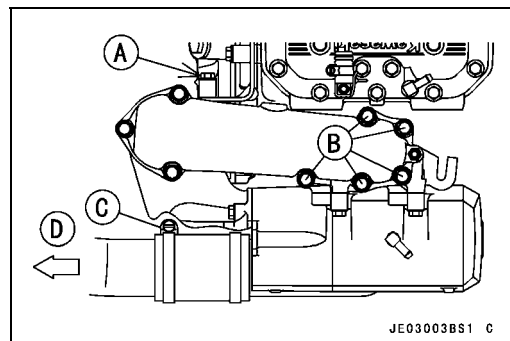
- Open the engine hood (see Hull/Engine Hood chapter).
- Remove:
  - Band [A]
  - Water Temperature Sensor Connector [B]



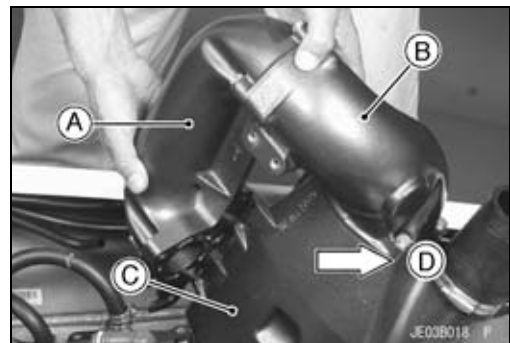
- Remove:
  - Cooling Hose [A]
  - Bypass Hose [B]
  - Water Temperature Sensor [C] (see Electrical System chapter)



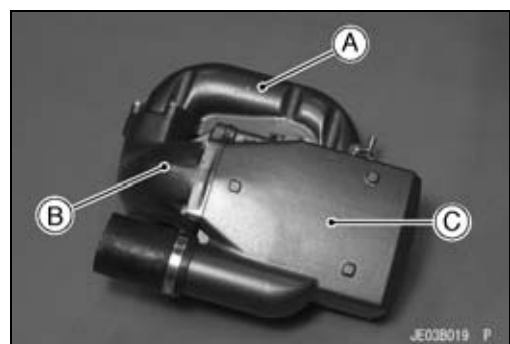
- Remove:
  - Two Muffler Bracket Mounting Bolts [A]
  - Five Exhaust Pipe Mounting Bolts [B]
- Loosen the inlet tube clamp bolt [C].
- Bow [D]



- Remove the exhaust pipe [A], the front muffler [B] and the expansion chamber [C] as a set.
- Bow [D]



- Unscrew the bolts and remove the following:
  - Exhaust Pipe [A]
  - Front Muffler [B]
  - Expansion Chamber [C]





## Expansion Chamber

### Expansion Chamber Installation

- Assemble provisionally the exhaust pipe [A], the front muffler [B] and the expansion chamber [C] with the new gaskets [D].
- Apply a non-permanent locking agent (High Strength: Loctite 271 equivalent) to the assembly bolts [E] and tighten them to the specified torque.

**Torque - Expansion Chamber Assembly Bolts: 29 N·m (3.0 kgf·m, 22 ft·lb)**

**Front Muffler Mounting Bolts: 29 N·m (3.0 kgf·m, 22 ft·lb)**

- Install the new gasket [A].
- Install provisionally the muffler bracket [B] between the cylinder and the front muffler.  
Bow [C]

- Install the above assembly on the engine.
- Apply a non-permanent locking agent to the bolts and tighten them in the following order.

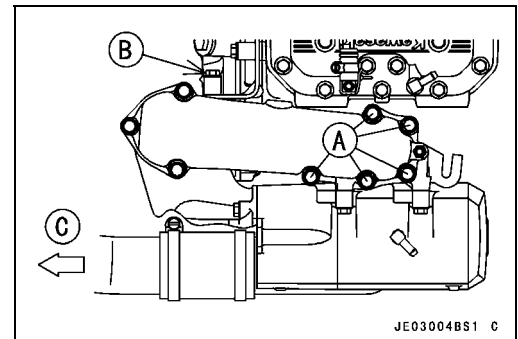
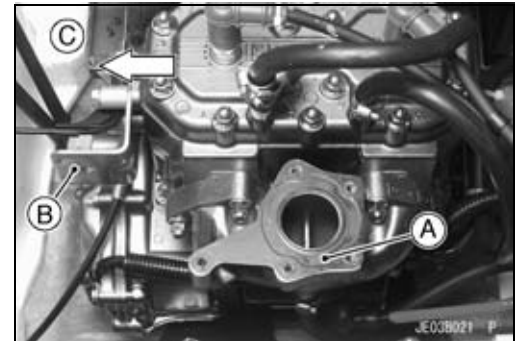
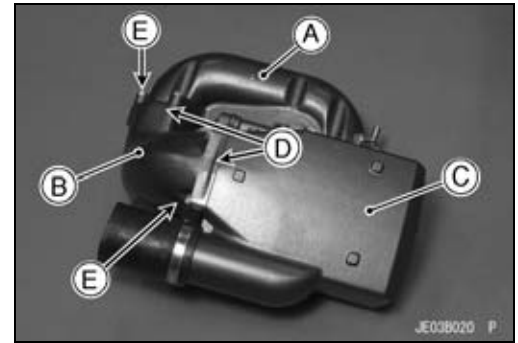
**Torque - Exhaust Pipe Mounting Bolts [A] and Muffler Bracket Mounting Bolts [B]: 29 N·m (3.0 kgf·m, 22 ft·lb)**

Bow [C]

- Close the engine hood (see Hull/Engine Hood chapter).

### Expansion Chamber Cleaning and Inspection

- Remove the expansion chamber (see Expansion Chamber Removal).
- Scrape any carbon deposits out of the expansion chamber with a blunt, or roundedged tool. Excessive deposits will cause the engine to run poorly.
- Check the expansion chamber carefully for cracks. Also look for corrosion both inside and out.

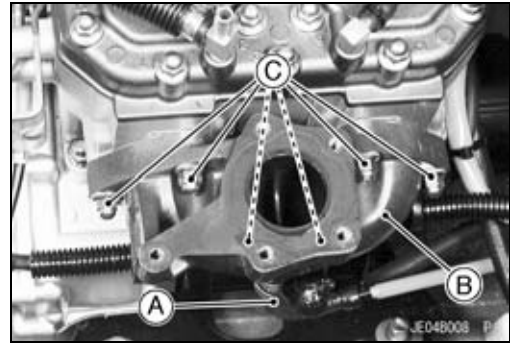


## 4-6 EXHAUST SYSTEM

### Exhaust Manifold

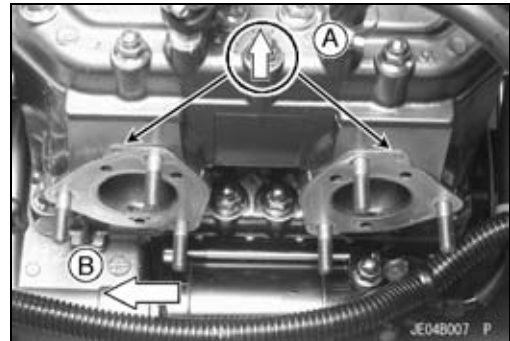
#### Exhaust Manifold Removal

- Remove the exhaust pipe, the front muffler and the expansion chamber as a set (see Expansion Chamber Removal).
- Disconnect the inlet cooling hose [A] from the lower part of the exhaust manifold [B].
- Remove the six exhaust manifold mounting nuts [C].
- Take the exhaust manifold off the cylinder.



#### Exhaust Manifold Installation

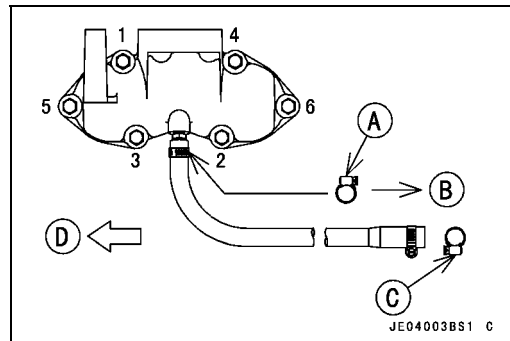
- Install the exhaust manifold gaskets so that each arrow [A] points upwards and is on the outside of the flange. Bow [B]



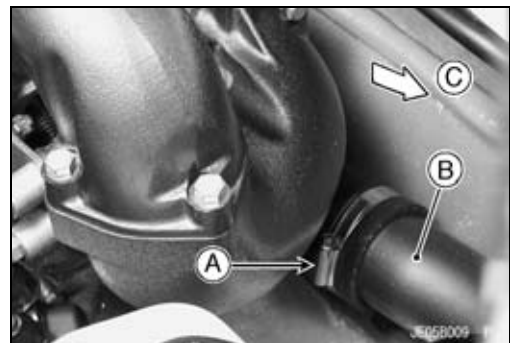
- The cooling hose clamp bolt [A] should face toward cylinder [B] and another hose clamp bolt [C] outside.
- Tighten the exhaust manifold mounting nuts, following the specified tightening sequence.

**Torque - Exhaust Manifold Mounting Nuts: 20 N·m (2.0 kgf·m, 14.5 ft·lb)**

Bow [D]



- The clamp bolt [A] of the inlet tube [B] should be inside as shown. Bow [C]



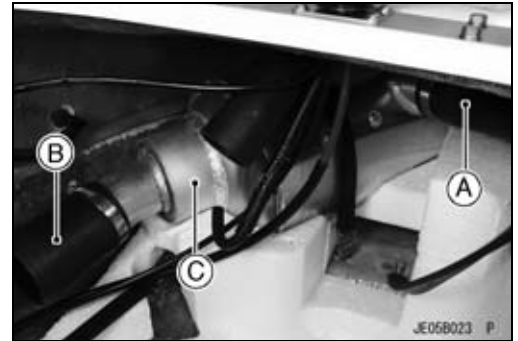
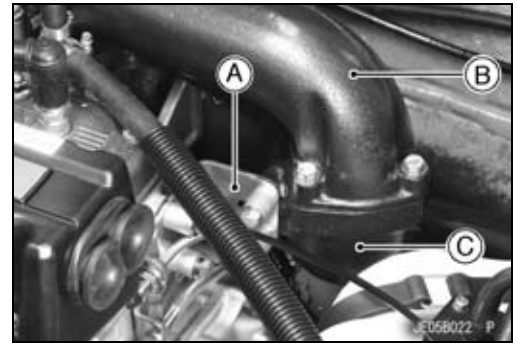
#### Exhaust Manifold Cleaning and Inspection

- Remove the exhaust manifold parts (see Exhaust Manifold Removal).
- Clean the carbon deposits out of the exhaust passage with a blunt, or roundedged tool.
- Check the insides of the water passages for corrosion.
- ★ If there is excessive corrosion, flush foreign matter out of the water passages with fresh water.

### Water Box Muffler

#### *Water Box Muffler Removal*

- Open the engine hood (see Hull/Engine Hood chapter).
- Remove:
  - Muffler Bracket [A]
  - Exhaust Pipe [B], Front Muffler [C], and Expansion Chamber as a set (see Expansion Chamber Removal)
  
- Remove or disconnect:
  - Fuel Tank (see Fuel System chapter)
  - Outlet Tube [A]
  - Inlet Tube [B]
- Take the water box muffler [C] out of the hull.



#### *Water Box Muffler Inspection*

- Remove the water box muffler (see Water Box Muffler Removal).
- Empty water out of the water box.
- Check the inlet spigot for damage caused by excessive heat.
- ★ If there is heat damage to the inlet spigot, check the cooling system for blockage (see Cooling System Flushing in the Periodic Maintenance chapter).



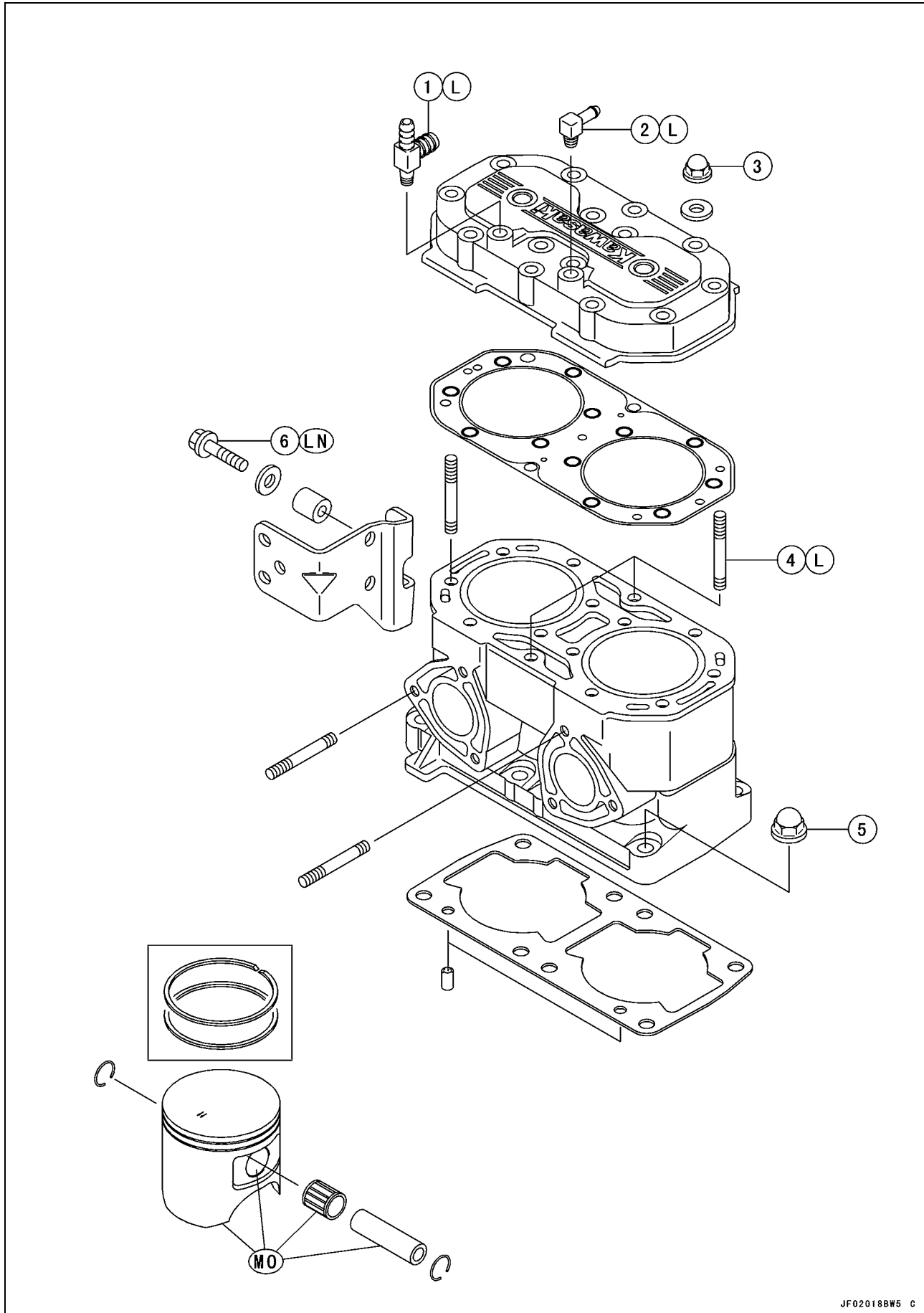
# Engine Top End

## Table of Contents

Exploded View .....	5-2
Specifications .....	5-4
Special Tools .....	5-5
Engine Top End .....	5-6
Disassembly and Assembly .....	5-6
Disassembly .....	5-6
Assembly .....	5-7
Maintenance and Inspection .....	5-9
Compression Measurement .....	5-9
Cylinder Head Warp Inspection .....	5-10
Cylinder Wear Inspection .....	5-10
Piston Diameter Measurement .....	5-11
Piston/Cylinder Clearance .....	5-11
Boring and Honing .....	5-11
Piston Ring, Piston Ring Groove Inspection .....	5-12
Piston Ring End Gap .....	5-12

# 5-2 ENGINE TOP END

## Exploded View



**Exploded View**

No.	Fastener	Torque			Remarks
		N·m	kgf·m	ft·lb	
1	Water Hose Joint	7.8 ~ 14	0.80 ~ 1.4	69 ~ 124 in·lb	L
2	Water Hose Joint	7.8 ~ 14	0.80 ~ 1.4	69 ~ 124 in·lb	L
3	Cylinder Head Nuts	29	3.0	22	S
4	Cylinder Stud	–	–	–	L
5	Cylinder Base Nuts	34	3.5	25	
6	Cable Holder Bolts	29	3.0	22	LN

L: Apply a non-permanent locking agent.

LN: Apply a non-permanent locking agent (High Strength: Loctite 271 equivalent).

MO: Apply molybdenum disulfide oil solution.

(mixture of the 4 stroke engine oil and molybdenum disulfide grease in a weight ratio 10 : 1)

## 5-4 ENGINE TOP END

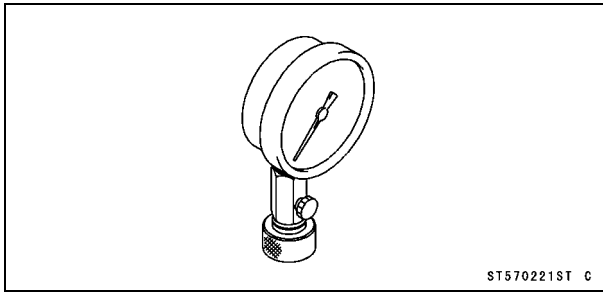
### Specifications

Item	Standard	Service Limit
<b>Cylinder Head</b>		
Cylinder Compression	(Usable range) 892 ~ 1 372 kPa (9.1 ~ 14 kgf/cm <sup>2</sup> , 129 ~ 199 psi) (Open throttle)	— — —
Cylinder Head Warp	— — —	0.05 mm (0.002 in.)
<b>Cylinder, Piston</b>		
Cylinder Inside Diameter	82.000 ~ 82.015 mm (3.228 ~ 3.229 in.)	82.10 mm (3.232 in.)
Piston Diameter (16.9 mm (0.67 in.) up from bottom of skirt)	81.900 ~ 81.915 mm (3.224 ~ 3.225 in.)	81.75 mm (3.219 in.)
Piston/Cylinder Clearance	0.085 ~ 0.115 mm (0.0033 ~ 0.0045 in.)	— — —
Oversize Piston and Rings	+0.5 mm (0.02 in.) and +1.0 mm (0.04 in.)	— — —
Piston Ring/Groove Clearance:		
Top (Keystone)	— — —	— — —
Second (Keystone)	— — —	— — —
Piston Ring Groove Width:		
Top (Keystone)	— — —	— — —
Second (Keystone)	— — —	— — —
Piston Ring Thickness:		
Top (Keystone)	— — —	— — —
Second (Keystone)	— — —	— — —
Piston Ring End Gap:		
Top	0.25 ~ 0.40 mm (0.0098 ~ 0.0157 in.)	0.7 mm (0.028 in.)
Second	0.25 ~ 0.40 mm (0.0098 ~ 0.0157 in.)	0.7 mm (0.028 in.)

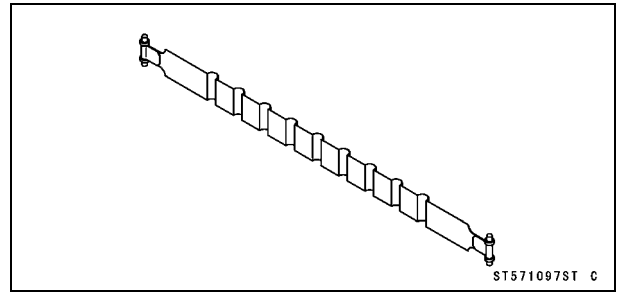


Special Tools

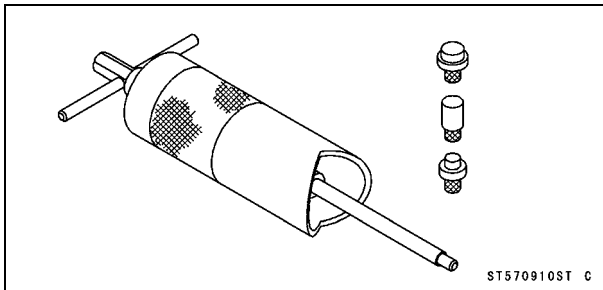
Compression Gauge, 20 kgf/cm<sup>2</sup>:  
57001-221



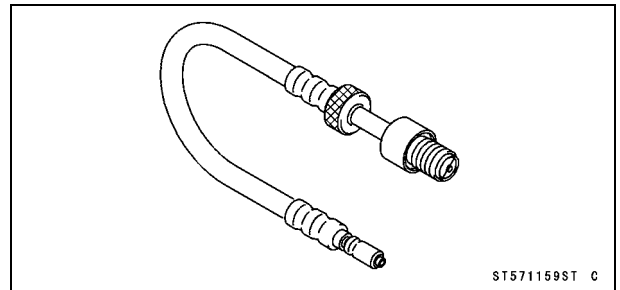
Piston Ring Compressor Belt,  $\phi 67 \sim \phi 79$ :  
57001-1097



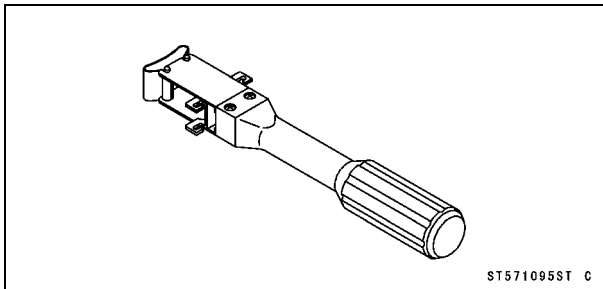
Piston Pin Puller Assembly:  
57001-910



Compression Gauge Adapter, M14  $\times$  1.25:  
57001-1159



Piston Ring Compressor Grip:  
57001-1095



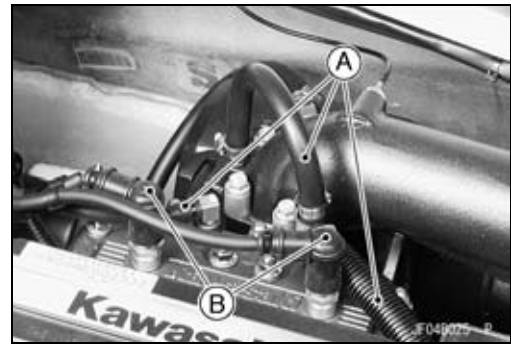
## 5-6 ENGINE TOP END

### Engine Top End

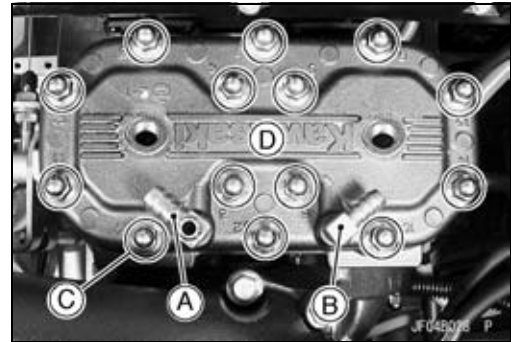
#### Disassembly and Assembly

##### Disassembly

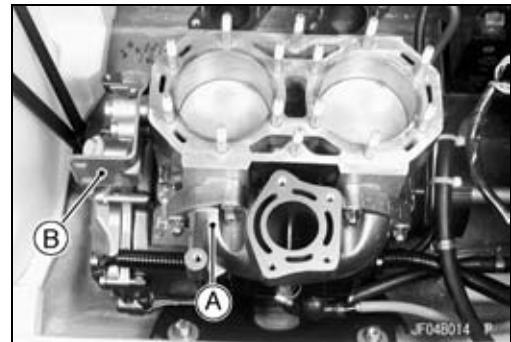
- Open the engine hood (see Hull/Engine Hood chapter).
- Remove:
  - Cooling Hoses [A]
  - Spark Plug Caps and Spark Plugs [B]
  - Carburetor (see Carburetor Removal in the Fuel System chapter)
  - Exhaust Pipe, Front Muffler and Expansion Chamber as a set (see Exhaust System chapter)



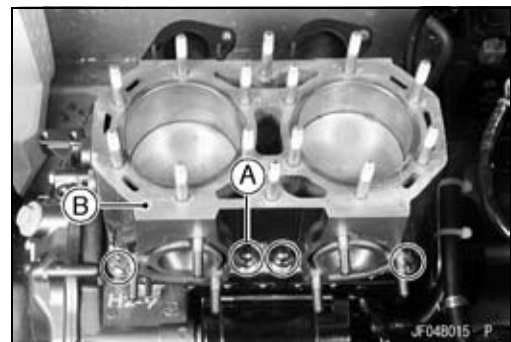
- Remove the water hose joint [A] and another joint [B].
- Remove the cylinder head nuts [C], and lift off the cylinder head [D].



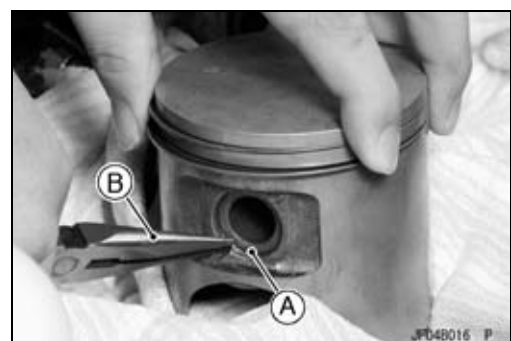
- Remove:
  - Exhaust Manifold [A]
  - Cable Holder [B]



- Remove the cylinder base nuts [A], and lift off the cylinder [B].



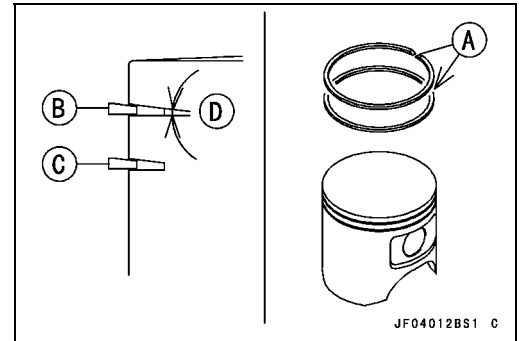
- Stuff clean rags into the crankcase opening to prevent dirt or foreign objects from falling into the crankcase.
- Remove the piston pin snap ring [A] with a pliers [B].
- Remove the piston.
- ★ Use a piston pin puller assembly, if the pin is tight.
- **Special Tool - Piston Pin Puller Assembly: 57001-910**



Engine Top End

Assembly

- If any parts in the piston assemblies require replacement, or if the cylinder is honed or replaced, be sure to check the critical clearances of the new parts against the values given in Specifications.
- Install the piston rings so that the “R” mark [A] faces upwards as shown.  
 Top Ring [B]  
 Second Ring [C]  
 7° [D]
- When installing the piston rings by hand, first fit one end of the piston ring against the pin in the ring groove, spread the ring opening with the other hand and then slip the ring into the groove.
- Check to see that the pin [A] in each piston ring groove is between the ends of the piston ring.



- Apply molybdenum disulfide oil solution to the surface of each piston pin.
- Mount the piston on the connecting rod with the arrow [A] on its crown pointing to the left (exhaust) side of the engine.

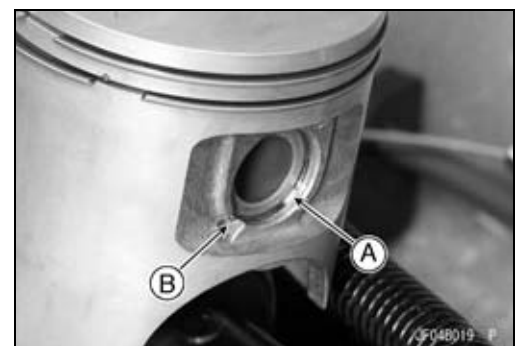
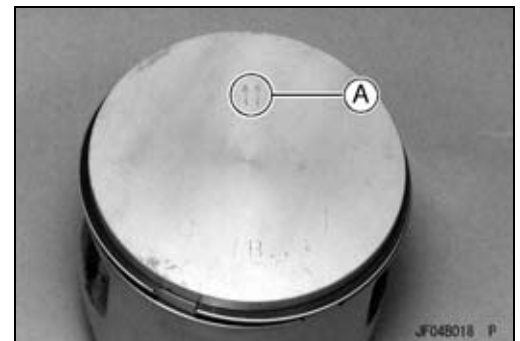


- When installing a piston pin snap ring, compress it only enough to install it and no more.

**CAUTION**

**Do not reuse rings, as removal weakens and deforms them. They could fall out and score the cylinder wall.**

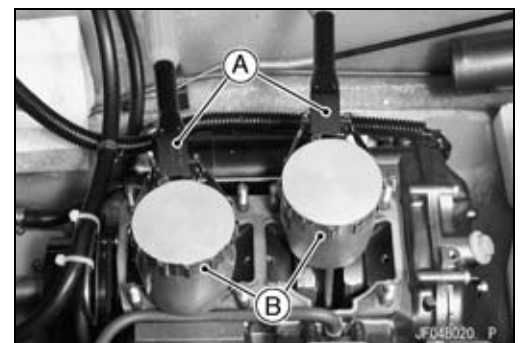
- Fit a new piston pin snap ring into the side of each piston so that the snap ring opening [A] does not coincide with the slits [B] of the piston pin hole.



- Set the new cylinder base gasket in place on the crankcase.
- Apply molybdenum disulfide oil solution to the surface of the pistons.
- Compress the piston rings.

**Special Tools - Piston Ring Compressor Grip: 57001-1095 [A]**

**Piston Ring Compressor Belt,  $\phi 67 \sim \phi 79$ : 57001-1097 [B]**



## 5-8 ENGINE TOP END

### Engine Top End

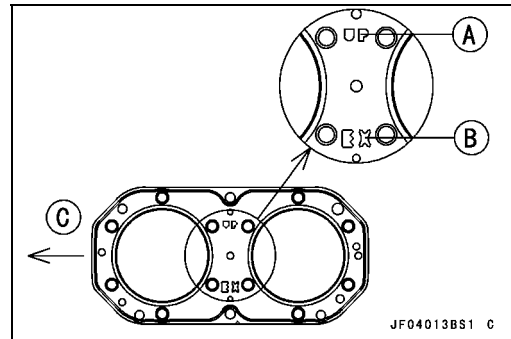
- Thoroughly molybdenum disulfide oil solution to the cylinder bores.
- Slide the cylinder block down over the crankcase studs onto the crankcase.

#### CAUTION

**Do not force the cylinder block. Make sure the rings are in position.**

- Install the cylinder base nuts, and cross-tighten them.  
**Torque - Cylinder Base Nuts: 34 N·m (3.5 kgf·m, 25 ft·lb)**
- Place a new cylinder head gasket on the cylinder head.
  - The “UP” mark [A] of the gasket must face upward and “EX” mark [B] must face toward the exhaust side of the engine.

Front [C]



- Install the cylinder head.
- Tighten:
  - Torque - Cylinder Head Nut: 29 N·m (3.0 kgf·m, 22 ft·lb)**
  - The tightening sequence numbers are marked on the cylinder head.

Exhaust Side [A]

- Install:
  - Exhaust Manifold (see Exhaust System chapter)
  - Cable Holder
- Apply a non-permanent locking agent to the thread of cable holder bolts and tighten them.

**Torque - Cylinder Holder Bolts: 29 N·m (3.0 kgf·m, 22 ft·lb)**

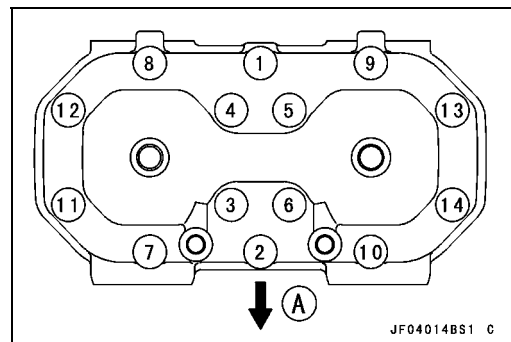
- Apply a non-permanent locking agent the water hose joints and install them as follows.

40° [A]

30° [B]

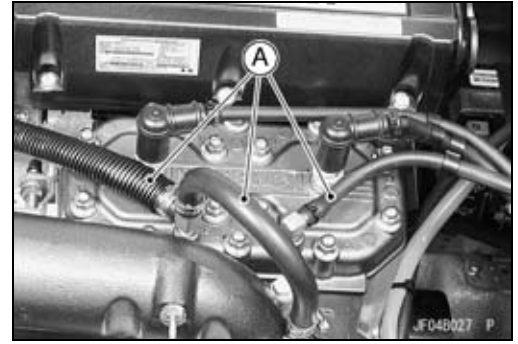
- Tighten:

**Torque - Water Hose Joint: 7.8 ~ 14 N·m (0.80 ~ 1.4 kgf·m, 69 ~ 124 in·lb)**



## Engine Top End

○ Install the cooling hoses [A].



- Start the engine to check for fuel and oil leaks, exhaust leaks, and excessive vibration.

### **⚠ WARNING**

**Do not run the engine in a closed area. Exhaust gases contain carbon monoxide, a colorless, odorless, poisonous gas which can be lethal.**

### **CAUTION**

**Do not run the engine for more than 15 seconds without cooling water.**

## Maintenance and Inspection

### *Compression Measurement*

- Thoroughly warm up the engine, while checking that there is no compression leakage from around the spark plugs or the cylinder head gasket.

### **CAUTION**

**Do not run the engine for more than 15 seconds without cooling water.**

- Stop the engine.
- Remove the engine hood (see Hull/Engine Hood chapter).
- Remove the spark plugs and screw a compression gauge firmly into the spark plug hole.

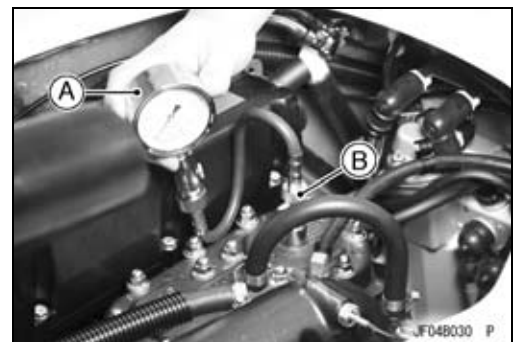
**Special Tools - Compression Gauge, 20 kgf/cm<sup>2</sup>: 57001-221 [A]**

**Compression Gauge Adapter, M14 × 1.25: 57001-1159 [B]**

- Using the starter motor, turn the engine over with the throttle fully open until the compression gauge stops rising; the compression is the highest reading obtainable.
- Repeat the measurement for the other cylinder.

### **Cylinder Compression (Usable Range)**

**892 ~ 1 372 kPa (9.1 ~ 14 kgf/cm<sup>2</sup>, 129 ~ 199 psi)  
(open throttle)**



## 5-10 ENGINE TOP END

### Engine Top End

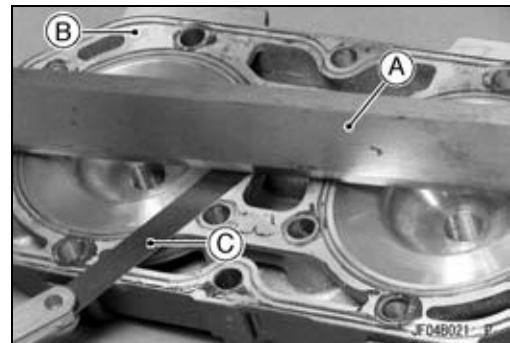
- ★ If the cylinder compression is higher than the usable range, check the following.
  - Carbon buildup on the piston head and cylinder head - clean off any carbon on the piston head and cylinder head.
  - Cylinder head gasket, cylinder base gaskets - use only the proper gaskets. The use of a gasket of incorrect thickness will change the compression.
- ★ If cylinder compression is lower than the usable range, check the following:
  - Gas leakage around the cylinder head - replace the damaged gasket and check the cylinder head for warp.
  - Piston/cylinder clearance, piston seizure.
  - Piston rings, piston ring groove wear.

#### Cylinder Head Warp Inspection

- Lay a straightedge [A] across the lower surface of the head [B] at several different points, and measure warp by inserting a thickness gauge [C] between the straightedge and the head.
- ★ If warp exceeds the service limit, repair the mating surface. Replace the cylinder head if the mating surface is badly damaged.

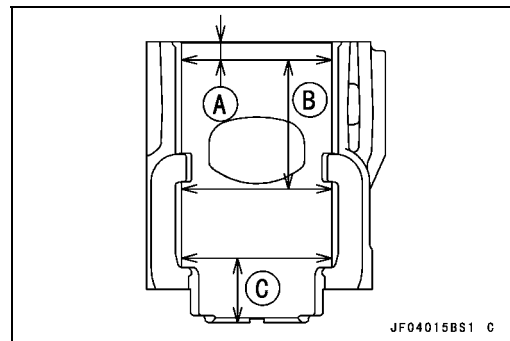
#### Cylinder Head Warp

**Service Limit: 0.05 mm (0.002 in.)**



#### Cylinder Wear Inspection

- Inspect the inside of the cylinder for scratches and abnormal wear.
- ★ If the cylinder is damaged or badly worn, replace it with a new one.
- Since there is a difference in cylinder wear in different directions, take a side-to-side and a front-to-back measurement at each of the 3 locations (total of 6 measurements) shown in the figure.
  - 10 mm (0.39 in.) [A]
  - 80 mm (3.15 in.) [B]
  - 35 mm (1.38 in.) [C]



- ★ If any of the cylinder inside diameter measurements exceeds the service limit, the cylinder will have to be bored oversize and then honed.

#### Cylinder Inside Diameter

**Standard: 82.000 ~ 82.015 mm (3.228 ~ 3.229 in.) and less than 0.01 mm (0.004 in.) difference between any two measurements**

**Service Limit: 82.10 mm (3.232 in.), or more than 0.05 mm (0.002 in.) difference between any two measurements**

## Engine Top End

### Piston Diameter Measurement

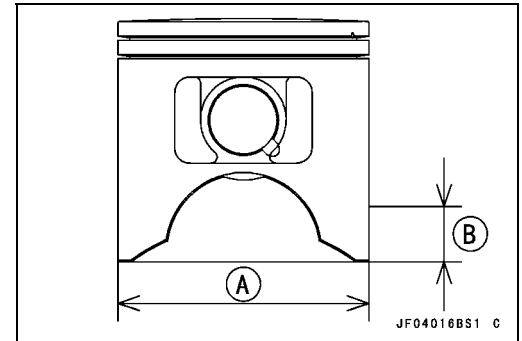
- Measure the outside diameter [A] of the piston 16.9 mm (0.67 in.) up [B] from the bottom of the piston at a ring angle to the direction of the piston pin.

#### Piston Diameter

**Standard:** 81.900 ~ 81.915 mm (3.224 ~ 3.225 in.)

**Service Limit:** 81.75 mm (3.219 in.)

- If the measurement is less than the service limit, replace the piston.



### NOTE

- Abnormal wear such as a marked diagonal pattern across the piston skirt may mean a bent connecting rod or a misaligned crankshaft.

### Piston/Cylinder Clearance

The piston-to-cylinder clearance must be checked, and the standard value maintained anytime a piston or the cylinder block are replaced with new parts, or whenever the cylinder is rebored and oversize pistons installed.

- The most accurate way to find the piston clearance is by making separate piston and cylinder diameter measurements and then computing the difference between the two values.
- Measure the piston diameter as just described, and subtract this value from the measurement. The difference is the piston clearance.

#### Piston/Cylinder Clearance

**0.085 ~ 0.115 mm (0.0033 ~ 0.0045 in.)**

### Boring and Honing

When boring and honing a cylinder, note the following:

- There are two sizes of oversize pistons available.

#### Oversize Pistons and Rings

**0.5 mm (0.02 in.) oversize**

**1.0 mm (0.04 in.) oversize**

- Before boring a cylinder, first measure the exact diameter of the oversize piston, and then, according to the standard clearance in the Service Date Section, determine the re-bore diameter. However, if the amount of boring necessary would make the inside diameter greater than 1.0 mm (0.04 in.) oversize, the cylinder block must be replaced.
- Cylinder inside diameter must not vary more than 0.01 mm (0.0004 in.) at any point.
- Be wary of measurements taken immediately after boring since the heat affects cylinder diameter.
- In the case of a rebored cylinder and oversize piston, the service limit for the cylinder is the diameter that the cylinder was bored to plus 0.1 mm (0.004 in.) and the service limit for the piston is the oversize piston original diameter minus 0.15 mm (0.006 in.). If the exact figure for the rebored diameter is unknown, it can be roughly determined by measuring the diameter at the base of the cylinder.

## 5-12 ENGINE TOP END

### Engine Top End

---

#### *Piston Ring, Piston Ring Groove Inspection*

- Visually inspect the piston rings and the piston ring grooves.
- ★ If the rings are worn unevenly or damaged, they must be replaced.
- ★ If the piston ring groove are worn unevenly or damaged, the piston must be replaced and fitted with new rings.

#### *Piston Ring End Gap*

- Place the piston ring inside the cylinder, using the piston to locate the ring squarely in place. Set it close to the bottom of the cylinder, where cylinder wear is low.
- Measure the gap [A] between the ends of the ring [B] with a thickness gauge.
- ★ If the gap is wider than the service limit, the ring is worn excessively and must be replaced.

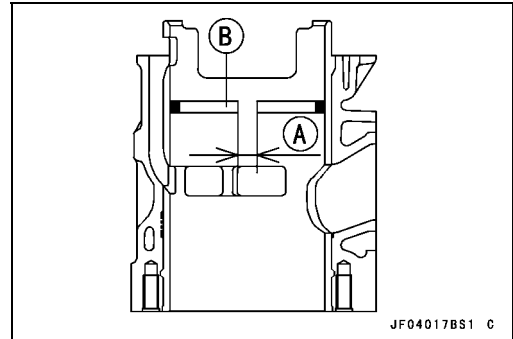
#### **Piston Ring End Gap**

##### **Standard:**

<b>Top</b>	<b>0.25 ~ 0.40 mm (0.0098 ~ 0.0157 in.)</b>
<b>Second</b>	<b>0.25 ~ 0.40 mm (0.0098 ~ 0.0157 in.)</b>

##### **Service Limit:**

<b>Top</b>	<b>0.7 mm (0.028 in.)</b>
<b>Second</b>	<b>0.7 mm (0.028 in.)</b>





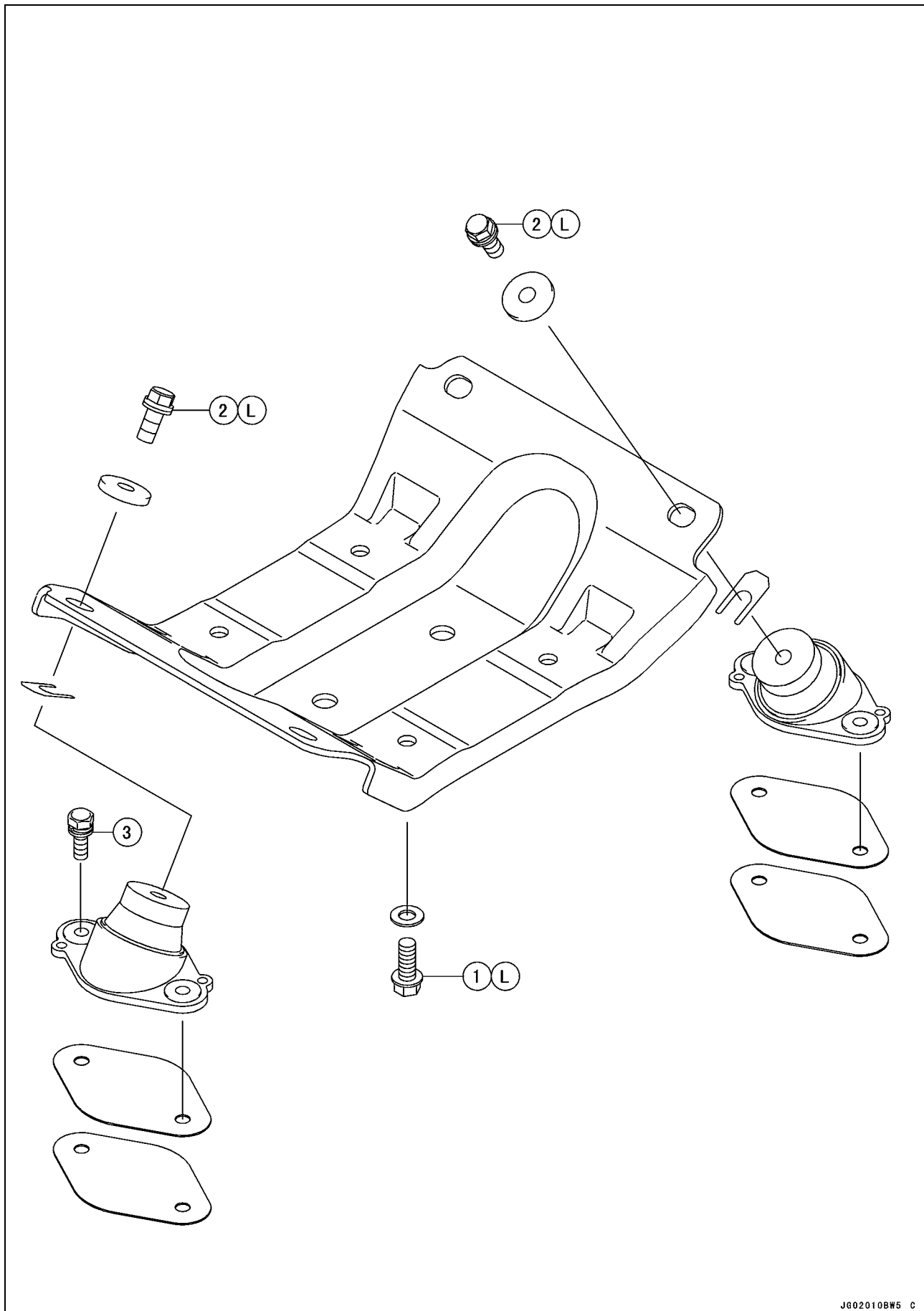
# Engine Removal/Installation

## Table of Contents

Exploded View .....	6-2
Engine Removal/Installation .....	6-4
Engine Removal .....	6-4
Engine Mount Removal .....	6-6
Engine Mount Installation .....	6-6
Engine Installation .....	6-6

## 6-2 ENGINE REMOVAL/INSTALLATION

### Exploded View



## ENGINE REMOVAL/INSTALLATION 6-3

### Exploded View

No.	Fastener	Torque			Remarks
		N·m	kgf·m	ft·lb	
1	Engine Mounting Bolts	49	5.0	36	L
2	Engine Bed Mounting Bolts	36	3.7	27	L
3	Engine Mount Bolts	16	1.6	12	

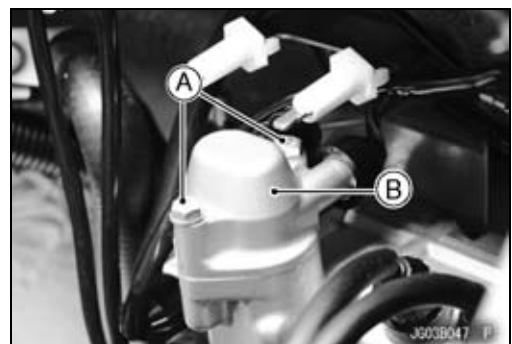
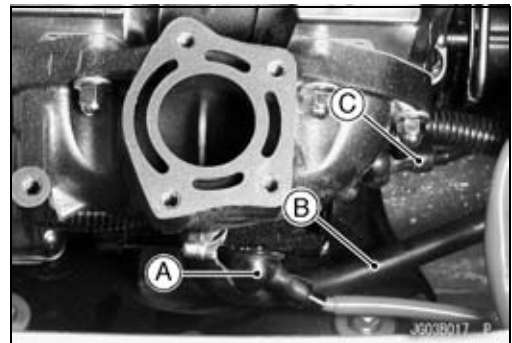
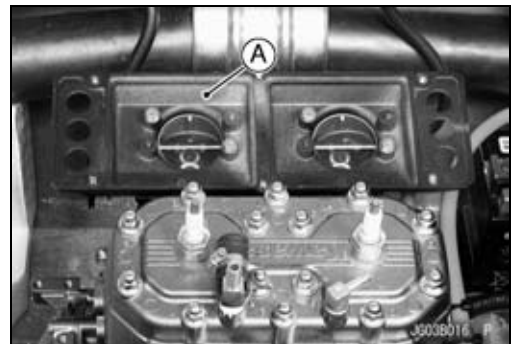
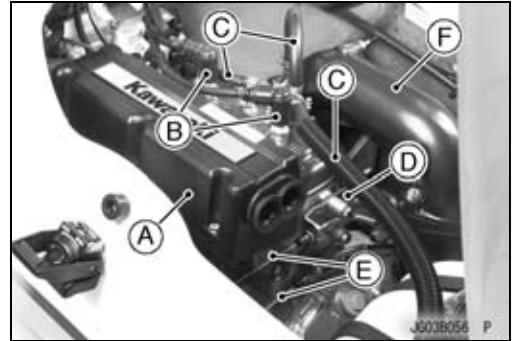
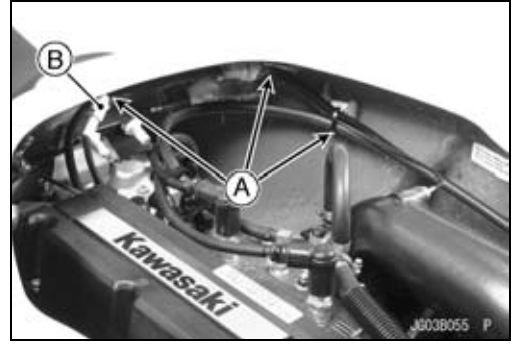
L: Apply a non-permanent locking agent.

## 6-4 ENGINE REMOVAL/INSTALLATION

### Engine Removal/Installation

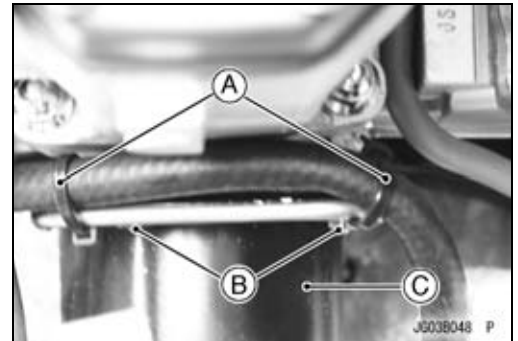
#### Engine Removal

- Remove:
  - Band [A]
  - Water Temperature Sensor Connector [B]
  
- Open the engine hood (see Hull/Engine Hood chapter).
- Remove:
  - Air Inlet Cover [A]
  - Spark Plug Caps [B]
  - Hoses [C]
  - Muffler Bracket [D]
  - Throttle Cable and Choke Cable End [E]
  - Exhaust Pipe, Front Muffler and Expansion Chamber as a set [F] (see Exhaust System chapter)
  
- Remove:
  - Arrester Case [A]
  - Carburetor (see Fuel System chapter)
  
- Remove:
  - Starter Cable (+) [A]
  - Cooling Hose [B]
  - Battery (-) Cable [C]
  
- Remove:
  - Bolt [A]
  - Electric Case Cover [B] (see Electrical System chapter)

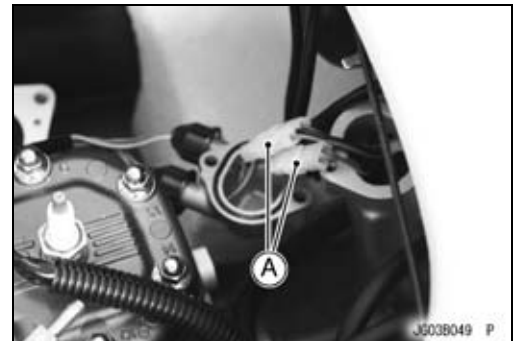


## Engine Removal/Installation

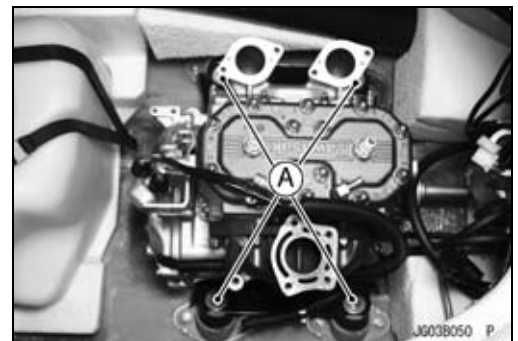
- Remove:  
Band [A]  
Coupling Cover Bolts [B] and Coupling Cover [C]



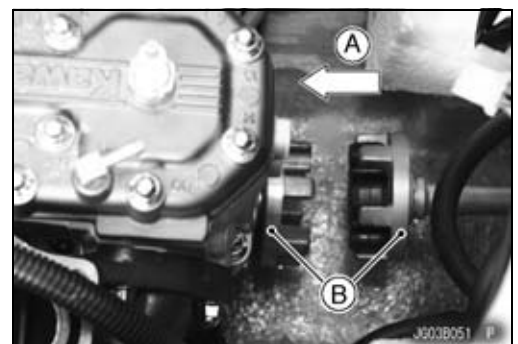
- Remove:  
Connectors [A]



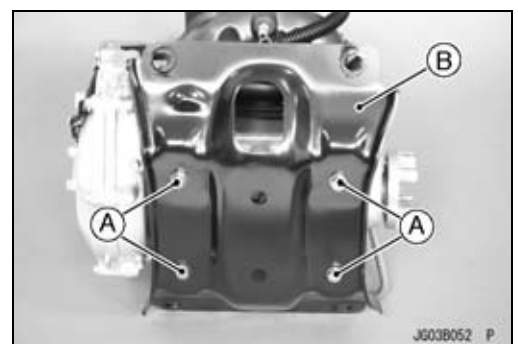
- Remove:  
Engine Bed Mounting Bolts [A]



- Slide the engine toward the front [A] to disengage the couplings [B], and then lift the engine out of the hull.



- Remove:  
Engine Mounting Bolts [A]  
Engine Bed [B]

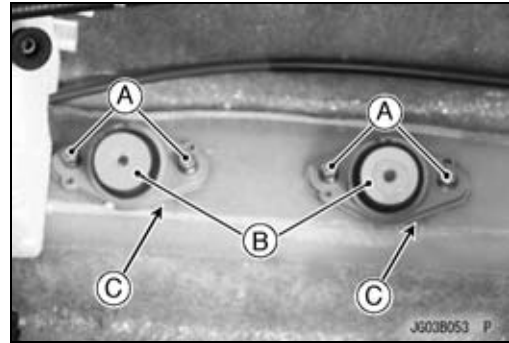


## 6-6 ENGINE REMOVAL/INSTALLATION

### Engine Removal/Installation

#### Engine Mount Removal

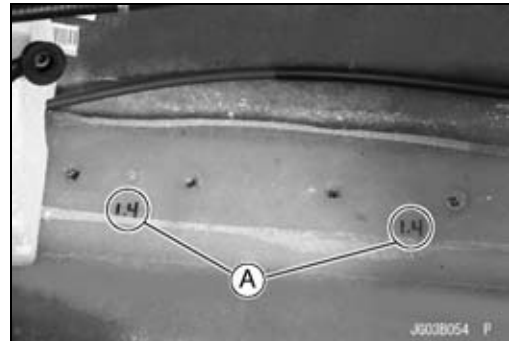
- Remove:
  - Engine Mount Bolts [A]
  - Engine Mounts [B]
  - Shim [C]
- Record the number of the shims as installed to the original position.



#### Engine Mount Installation

- Install the shim(s) of the same number in their original position(s).
- ★ If the shim numbers are unknown, refer to the following table.

Numerical Letters [A]	Numbers of Shim
0.0 ~ 0.5	None
0.6 ~ 1.5	1 Shim
1.6 ~ 2.0	2 Shims



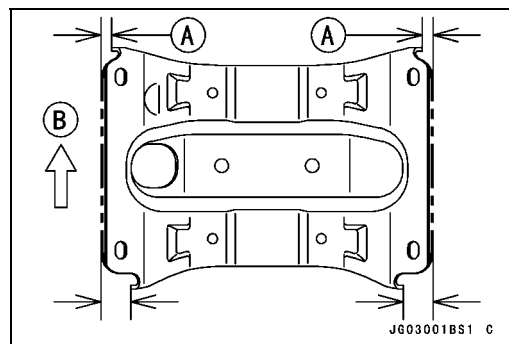
#### NOTE

○ The amount of original shims should be recorded prior to installation. The contents of the above table are for reference.

- Tighten the engine mount bolts.  
**Torque - Engine Mount bolts: 16 N·m (1.6 kgf·m, 12 ft·lb)**

#### Engine Installation

- Be sure there are no foreign objects and parts inside of the hull.
- Clean the bilge filter (see Filter Cleaning and Inspection in the Cooling and Bilge Systems chapter).
- Check the coupling damper for wear or damage (see Coupling Damper Inspection in the Engine Bottom End chapter).
- Install the engine bed so that small notches [A] are on the magneto end of the engine as shown.  
 Front Side [B]



## Engine Removal/Installation

---

- Apply a non-permanent locking agent to the following bolts, and tighten them.

**Torque - Engine Mounting Bolts: 49 N·m (5.0 kgf·m)**

- Check the gap between the engine bed and the dampers by rocking the engine.
- ★ If there is a gap, insert a suitable shim between the engine bed and the damper to achieve a good fit.

### Shim Selection

Part Number of Shim	Thickness
92025-3705	0.3 mm
92025-3706	0.5 mm
92025-3707	1.0 mm
92025-3708	1.5 mm

- Apply a non-permanent locking agent to the following bolts, and tighten them.

**Torque - Engine Bed Mounting Bolts: 36 N·m (3.7 kgf·m, 27 ft·lb)**

- After installing the engine in the hull, check the following:
  - Throttle Cable
  - Choke Cable
  - Fuel and Exhaust Leaks

### **WARNING**

**Do not run the engine in a closed area. Exhaust gases contain carbon monoxide, a colorless, odorless, poisonous gas which can be lethal.**

### **CAUTION**

**Operate the engine only for short periods without cooling water. Overheating will cause severe engine and exhaust system damage.**





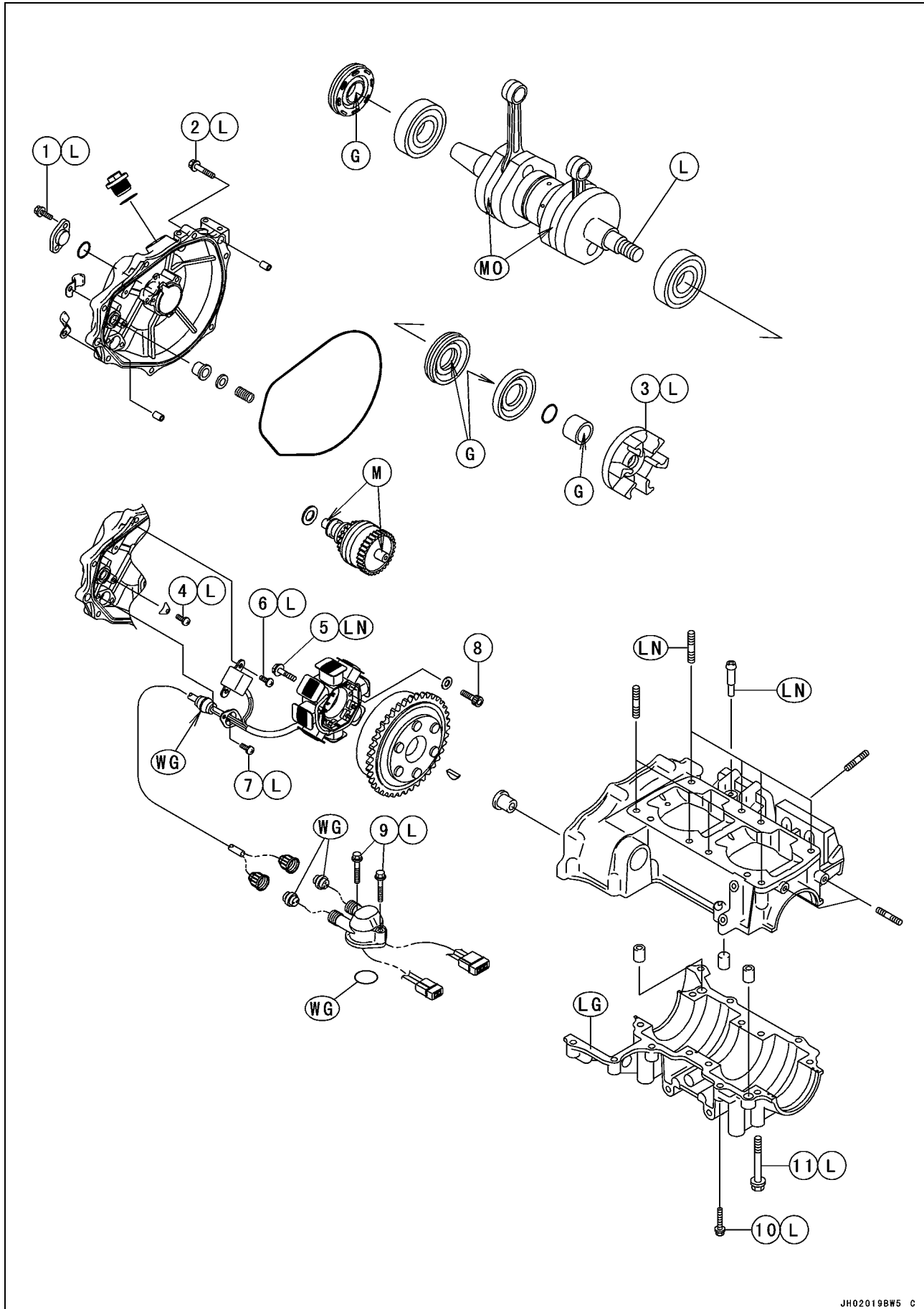
# Engine Bottom End

## Table of Contents

Exploded View .....	7-2
Specifications .....	7-4
Special Tools and Sealant .....	7-5
Coupling .....	7-6
Removal .....	7-6
Installation .....	7-6
Coupling Damper Inspection .....	7-6
Magneto Flywheel .....	7-7
Removal .....	7-7
Installation .....	7-7
Stator .....	7-8
Removal .....	7-8
Installation .....	7-9
Crankcase .....	7-10
Splitting .....	7-10
Assembly .....	7-10
Crankshaft Maintenance .....	7-12
Connecting Rod Bend/Twist .....	7-12
Connecting Rod Big End Radial Clearance .....	7-13
Connecting Rod Big End Side Clearance .....	7-13
Crankshaft Main Bearing Wear .....	7-13
Crankshaft Runout .....	7-13
Crankshaft Assembly Specifications .....	7-14

# 7-2 ENGINE BOTTOM END

## Exploded View



## Exploded View

No.	Fastener	Torque			Remarks
		N·m	kgf·m	ft·lb	
1	Magneto Cover Cap Bolts	8.8	0.90	78 in·lb	L
2	Magneto Cover Mounting Bolts	8.8	0.90	78 in·lb	L
3	Coupling	130	13.5	96	L
4	Set Screw	2.5	0.25	22 in·lb	L
5	Flywheel Bolt	130	13.5	96	LN
6	Crankshaft Sensor Bracket Screws	2.5	0.25	22 in·lb	L
7	Grommet Clamp Screws	2.5	0.25	22 in·lb	L
8	Stator Mounting Bolts	12	1.2	8.5	
9	Electric Case Cap Bolts	8.8	0.90	78 in·lb	L
10	Crankcase Bolts (6 mm dia.)	8.8	0.90	78 in·lb	L, S
11	Crankcase Bolts (8 mm dia.)	29	3.0	22	L, S

G: Apply grease.

L: Apply a non-permanent locking agent.

LG: Apply liquid gasket. (Kawasaki Bond: 92104-1003)

LN: Apply a non-permanent locking agent (High Strength: Loctite 271 equivalent)

M: Apply molybdenum disulfide grease.

MO: Apply molybdenum disulfide oil solution.

S: Follow the specific tightening sequence.

WG: Apply water resistance grease.

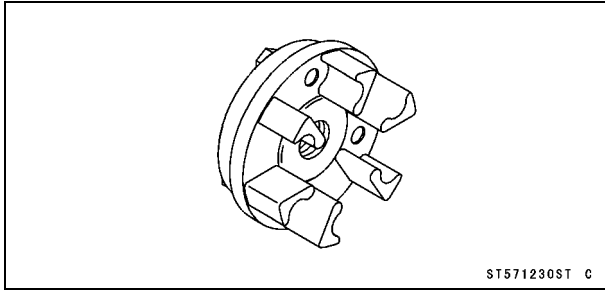
## 7-4 ENGINE BOTTOM END

### Specifications

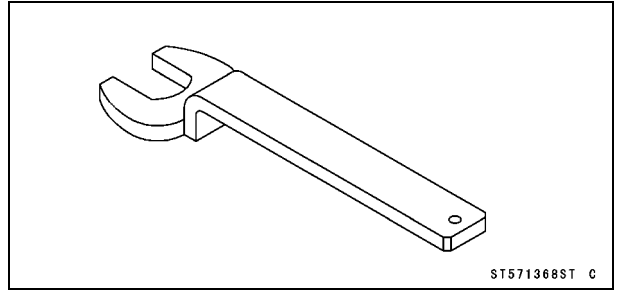
Item	Standard	Service Limit
<b>Crankshaft, Connecting Rods</b>		
Crankshaft Runout	0.04 mm (0.0016 in.)	0.10 mm (0.0039 in.) TIR
Connecting Rod Side Clearance	0.45 ~ 0.55 mm (0.018 ~ 0.022 in.)	0.8 mm (0.0315 in.)
Connecting Rod Radial Clearance	0.038 ~ 0.049 mm (0.0015 ~ 0.0193 in.)	0.10 mm (0.0039 in.)
Connecting Rod Bend	0.05 mm/100 mm (0.002 in./3.937 in.)	0.2 mm/100 mm (0.008 in./3.937 in.)
Connecting Rod Twist	0.15 mm/100 mm (0.006 in./3.937 in.)	0.2 mm/100 mm (0.008 in./3.937 in.)

**Special Tools and Sealant**

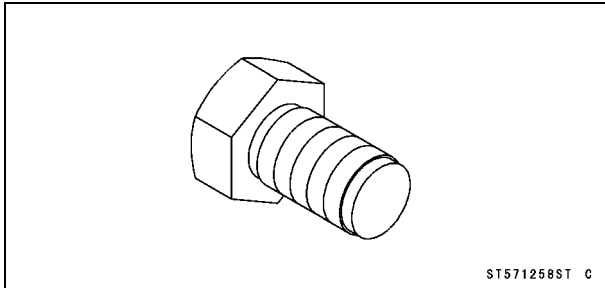
**Coupling Holder:  
57001-1230**



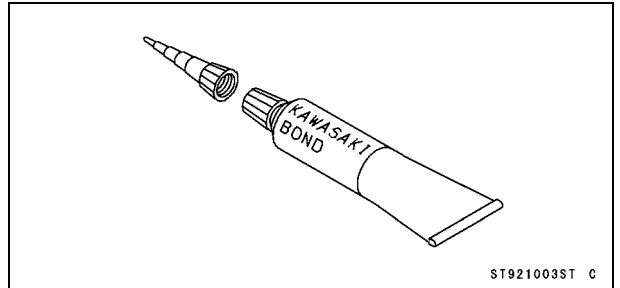
**Rotor Holder, Hex 30:  
57001-1368**



**Rotor Puller, M18 × 1.5:  
57001-1258**



**Kawasaki Bond (Liquid Gasket - Black):  
92104-1003**



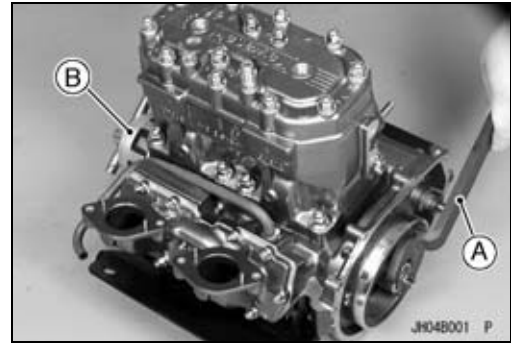
## 7-6 ENGINE BOTTOM END

### Coupling

#### *Removal*

- Remove:
  - Engine (see Engine Removal/Installation chapter)
  - Coupling Damper
  - Magneto Cover
- Holding the flywheel, unscrew the coupling.

**Special Tools - Rotor Holder, Hex 30: 57001-1368 [A]**  
**Coupling Holder: 57001-1230 [B]**



#### *Installation*

- Apply a non-permanent locking agent to the coupling threads.
- Screw the coupling onto the crankshaft and tighten it.  
**Torque - Coupling: 130 N·m (13.5 kgf·m, 96 ft·lb)**

#### *Coupling Damper Inspection*

- Refer to Coupling Damper Inspection in the Periodic Maintenance chapter.

## Magneto Flywheel

### Removal

- Remove the engine hood (see Hull/Engine Hood chapter).
- Remove the mounting bolts [A], and take off the magneto cover [B].

### NOTE

○ The flywheel can be removed without removing the fuel tank if the rotor puller (57001-1258) is used.

- Holding the flywheel, remove the flywheel bolt.  
**Special Tool - Rotor Holder, Hex 30: 57001-1368 [A]**
- Pull the flywheel off the crankshaft.  
**Special Tool - Rotor Puller, M18 × 1.5: 57001-1258 [B]**

### CAUTION

**Do not strike the flywheel with a hammer as the magnets may be damaged.**

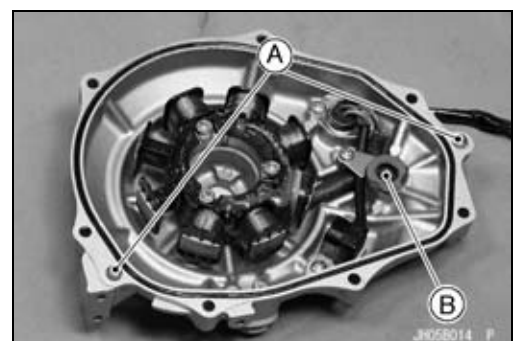
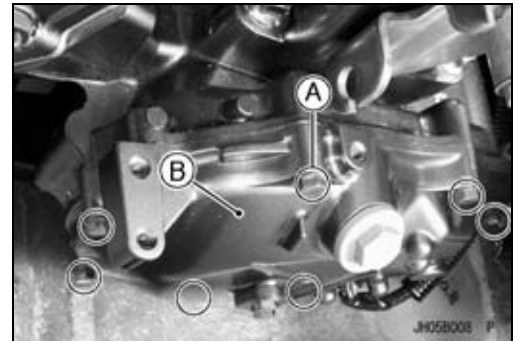
### Installation

- Using a high flash-point solvents, clean off any oil or dirt that may be on the flywheel bolt, the crankshaft taper, or in the tapered hole in the flywheel.
- Fit the woodruff key [A] securely in the crankshaft, before installing the magneto flywheel.

**Torque - Flywheel Bolt: 130 N·m (13.5 kgf·m, 96 ft·lb)**

- Check that the knock pins [A] and the spring [B] are in place and replace the O-ring.
- Apply a non-permanent locking agent to the threads of the magneto cover mounting bolts, and tighten them securely.

**Torque - Magneto Cover Mounting Bolts: 8.8 N·m (0.90 kgf·m, 78 ft·lb)**

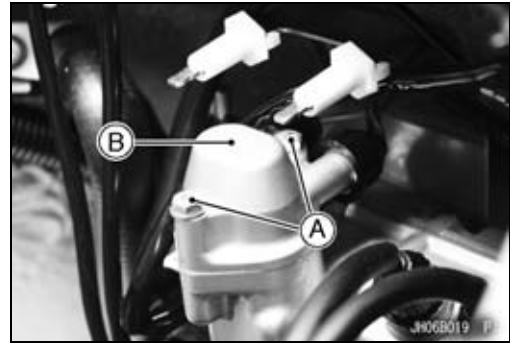


## 7-8 ENGINE BOTTOM END

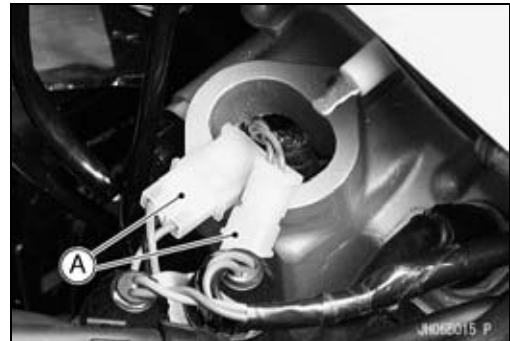
### Stator

#### Removal

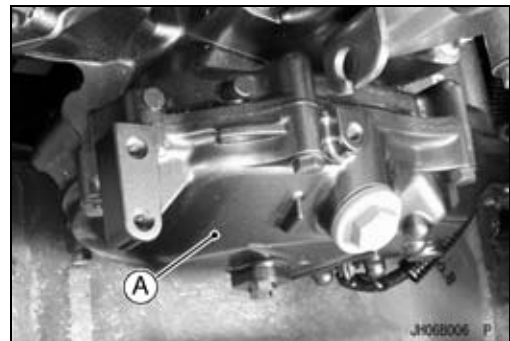
- Remove the engine hood (see Hull/Engine Hood chapter).
- Remove the bolts [A] and electric case cap [B].



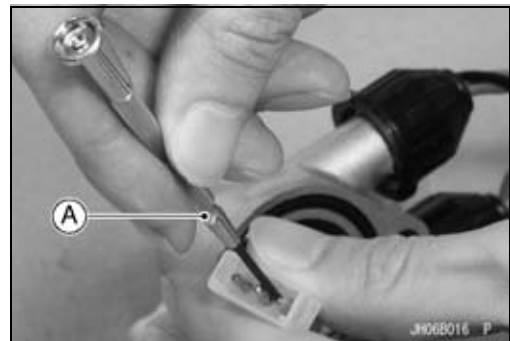
- Disconnect the connectors [A].



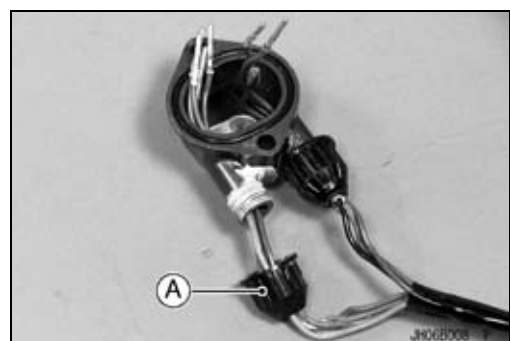
- Remove:  
Magneto Cover [A]



- Slide the pins out of the connectors.
- Use a screw driver [A] to depress the pin latches.



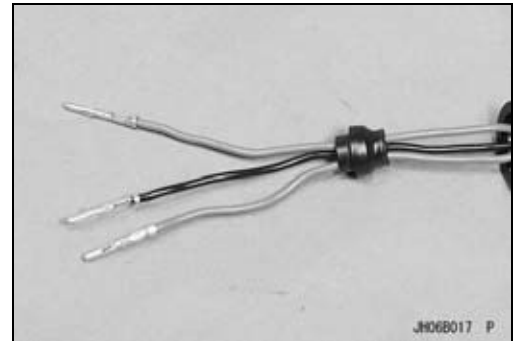
- Unscrew the grommet cap [A] from the electric case cap.



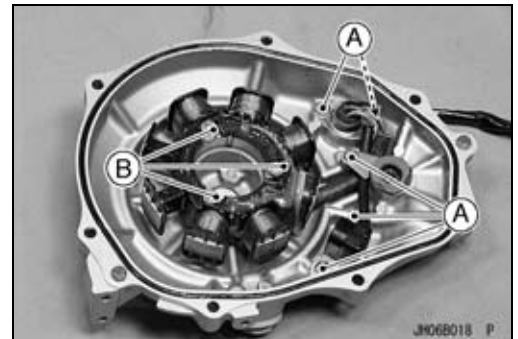


**Stator**

- Pull the leads, one at a time, through the grommet and cap.
- Lubricate the grommet with a penetrating rust inhibitor.

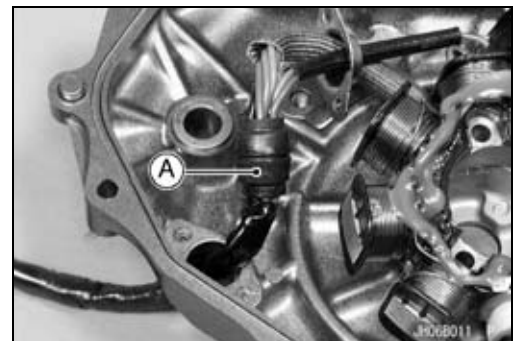


- Unscrew the set screws [A] and stator mounting bolts [B], and remove the stator assembly.

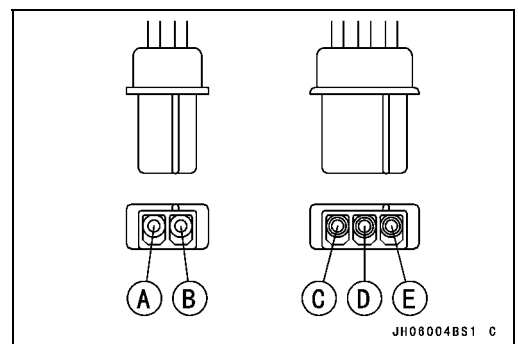


*Installation*

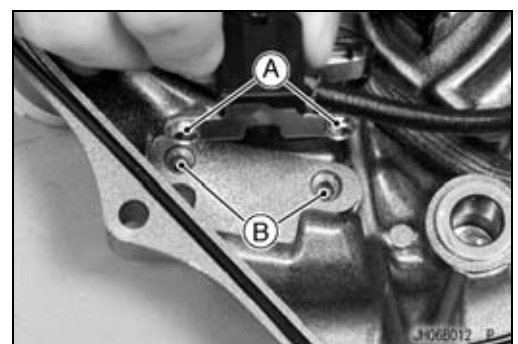
- Coat the grommets [A] with water resistant grease.



- Insert the connector pins onto the connector, as shown.
  - BL [A]
  - G [B]
  - BR [C]
  - BK [D]
  - BR [E]



- Slip the crankshaft sensor bracket projections [A] into the holes [B] on the cover.



## 7-10 ENGINE BOTTOM END

### Crankcase

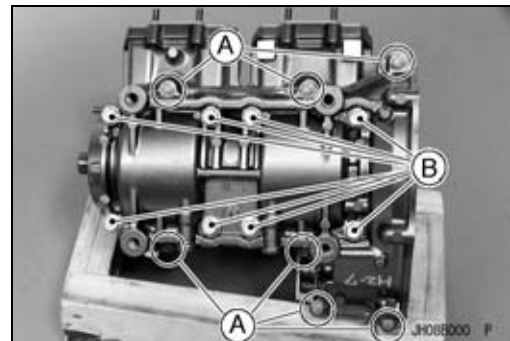
#### Splitting

- Remove the engine (see Engine Removal/Installation chapter).
- Remove the following from the engine.
  - Exhaust Manifold
  - Stator Motor
  - Carburetor
  - Inlet Manifold
  - Cylinder Head
  - Cylinder Block
  - Pistons
  - Coupling
  - Magneto Flywheel
  - Reduction Gear

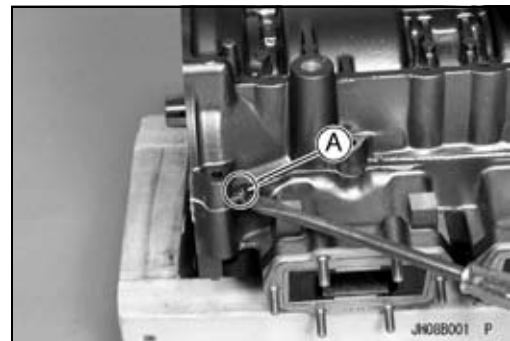
#### NOTE

○ Always remove the coupling before removing the magneto flywheel, or there won't be any way to hold the crankshaft while unscrewing the coupling.

- Remove the 6 mm crankcase bolts [A] first and the 8 mm bolts [B].

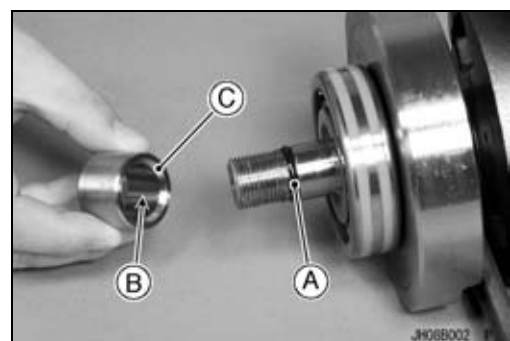


- Pry the point [A] indicated in the figure to split the crankcase halves apart, and then remove the lower crankcase half.
- Lift the crankshaft assembly out of the upper crankcase half.



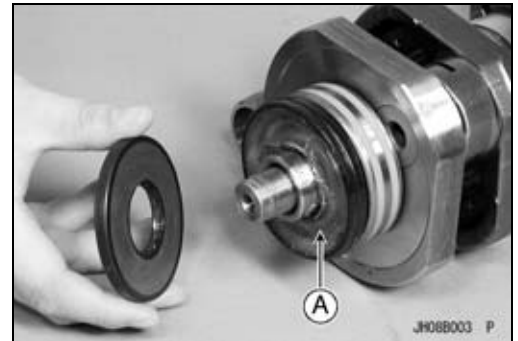
#### Assembly

- Visually inspect the crankshaft O-ring [A], and replace it.
- Grease the inner surface of the collar [B].
- Taper [C] of collar is adjusted to the inside and attaches to shaft.

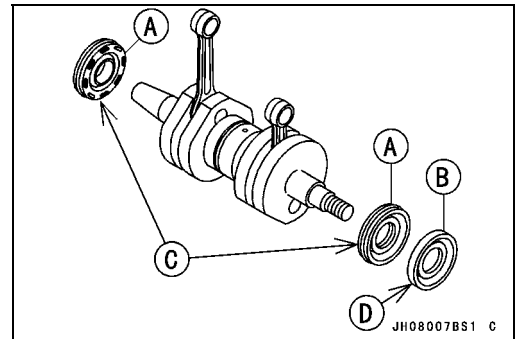


**Crankcase**

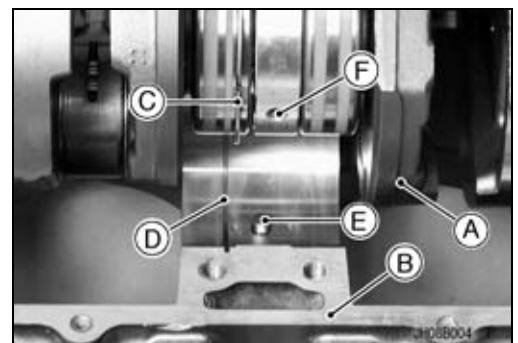
- Grease the lips of the oil seals.
- Pack grease [A] between the rear oil seals (coupling side).



- Install the oil seal as shown.
  - Double Lips Seals [A]
  - Single Lip Seal [B]
  - Projection Side [C]
  - Flat Surface [D]



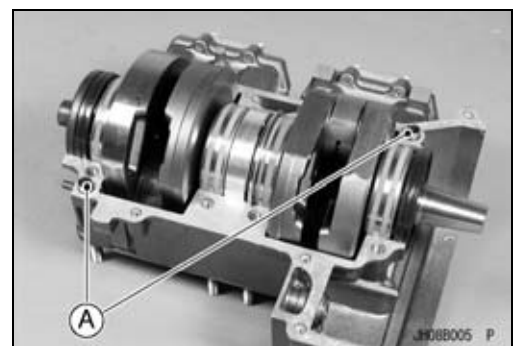
- Place the crankshaft assembly [A] in the upper crankcase [B] half so that the position ring [C] on the crankshaft assembly fits into the groove [D] in the crankcase.
- Insert the knock pin [E] into the hole [F].



- Check that the knock pins [A] are in place.
- With a high flash-point solvent, clean off the mating surface of the crankcase halves and wipe dry.
- Apply liquid gasket to the mating surface of the lower crankcase half.

**Sealant - Kawasaki Bond (Liquid Gasket - Black): 92104-1003**

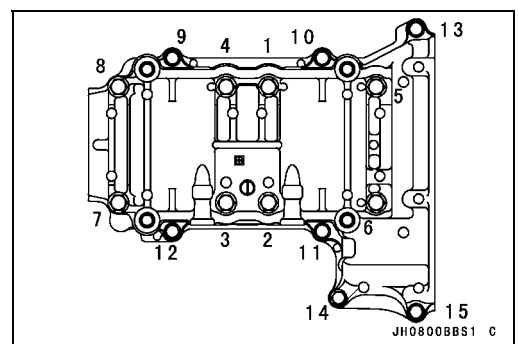
- Install the lower crankcase half onto the upper half.



- Apply a non-permanent locking agent to the crankcase bolts, and tighten them.

**Torque - Crankcase M8 Bolts: 29 N·m (3.0 kgf·m, 22 ft·lb)**  
**Crankcase M6 Bolts: 8.8 N·m (0.90 kgf·m, 78 in·lb)**

- The tightening sequence numbers are marked on the lower crankcase half.



## 7-12 ENGINE BOTTOM END

### Crankshaft Maintenance

The crankshaft changes the reciprocating motion of the piston into rotating motion to drive the jet pump. Crankshaft trouble, such as excessive play or runout, will multiply the stress caused by the intermittent force on the piston and will result in not only rapid crankshaft bearing wear, but also noise, power loss, vibration, and shorted engine life. A defective crankshaft should always be detected at an early stage and repaired immediately.

The following explanation concerns the most common crankshaft problems and the method for measuring play, runout, and con-rod alignment, it does not cover crankshaft disassembly because of the highly specialized equipment that is required. If crankshaft components become damaged or worn, the entire shaft should be replaced as an assembly, or rebuilt by a properly equipped shop.

#### Connecting Rod Bend/Twist

- Set the crankshaft in an alignment jig or in V blocks on a surface plate.
- Select an arbor of the same diameter as the connecting rod small end and at least 100 mm long, and insert the arbor through the connecting rod small end.
- With the connecting rod held vertically, use a height gauge to measure the difference in the height of the arbor above the surface plate over a 100 mm length to determine the amount of connect rod bend.
- ★If connecting rod bend exceeds the service limit, the connecting rod or crankshaft must be replaced.  
100 mm (3.937 in.) [A]

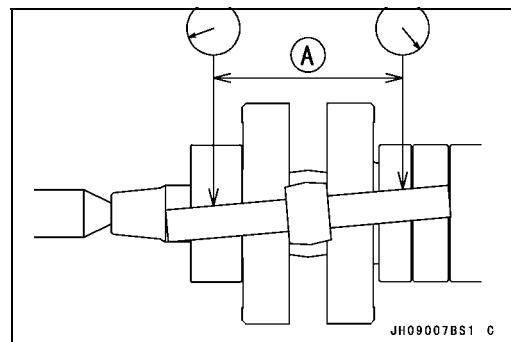
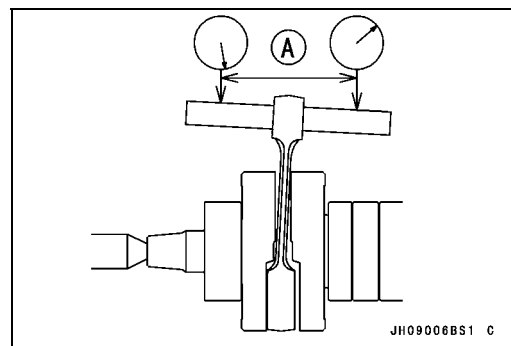
#### Connecting Rod Bend

- Standard:** under 0.05/100 mm (0.002/3.937 in.)
- Service Limit:** 0.2/100 mm (0.008/3.937 in.)

- Measure connecting rod twist.
- With the crankshaft still in the alignment jig, hold the connecting rod horizontally and measure the amount that the arbor varies from being parallel with the crankshaft over a 100 length of the arbor to determine the amount of connecting rod twist.
- ★If connecting rod twist exceeds the service limit, the connecting rod or crankshaft must be replaced.  
100 mm (3.937 in.) [A]

#### Connecting Rod Twist

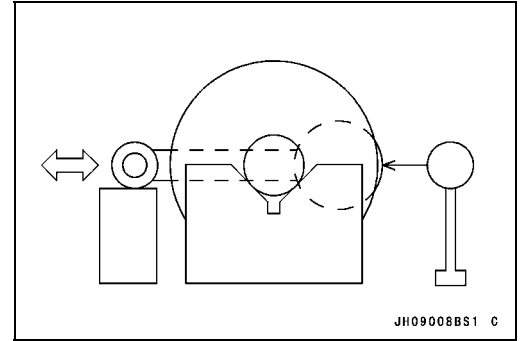
- Standard:** under 0.15/100 mm (0.006/3.937 in.)
- Service Limit:** 0.2/100 mm (0.008/3.937 in.)



## Crankshaft Maintenance

### Connecting Rod Big End Radial Clearance

- Check big end radial clearance.
- Set the crankshaft in an alignment jig or on V blocks, and place a dial gauge against the connecting rod big end.
- Push the connecting rod first towards the gauge and then in the opposite directions. The difference between the two gauge readings is the radial clearance.
- ★ If the radial clearance exceeds the service limit, the crankshaft assembly must be replaced or disassembled and the crankpin, needle bearing, and connecting rod big end examined for wear.



### Connecting Rod Big End Radial Clearance

**Standard:** 0.038 ~ 0.049 mm (0.0015 ~ 0.0193 in.)

**Service Limit:** 0.10 mm (0.0039 in.)

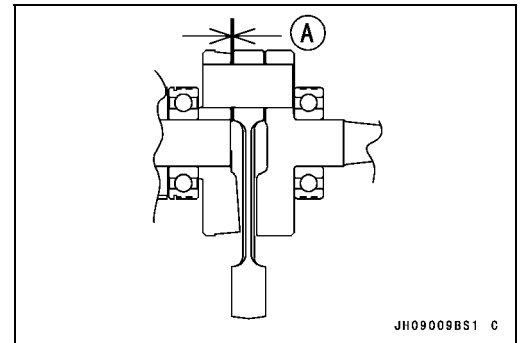
### Connecting Rod Big End Side Clearance

- Measure big end side clearance [A].
- Insert feeler gauges between the big end and either crank half to determine clearance.
- ★ If the measured value exceeds the service limit, the crankshaft should be either replaced or rebuilt.

### Connecting Rod Big End Side Clearance

**Standard:** 0.45 ~ 0.55 mm (0.018 ~ 0.022 in.)

**Service Limit:** 0.8 mm (0.0315 in.)



### Crankshaft Main Bearing Wear

- Wash the bearings in high flash-point solvent, blow them dry (DO NOT SPIN THEM), and lubricate them with engine oil.

### ⚠ WARNING

**Solvent is toxic and flammable. Avoid prolonged contact with skin and keep away from open flame. Use only in a well-ventilated area. Eye protection should be worn when compressed air is used to dry parts. Do not direct air towards anyone. Use 172 kPa (1.75 kgf/cm<sup>2</sup>, 25 psi) maximum nozzle pressure.**

- Turn each bearing over by hand and see that it makes no noise, turns smoothly, and has no rough spots.
- ★ If any of the bearings are defective, replace them.

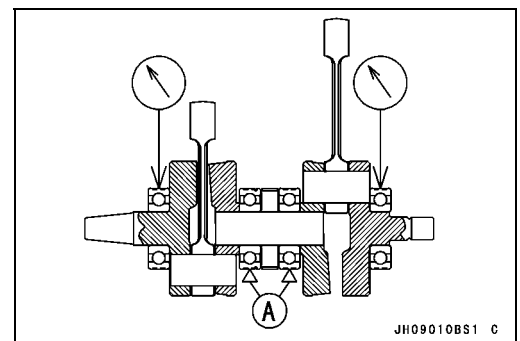
### Crankshaft Runout

- Check crankshaft alignment by measuring runout.
- With the crankshaft on V blocks [A], rotate the crankshaft slowly and measure runout at each of the locations shown.
- ★ If the runout at any point exceeds the service limit, the crankshaft must be either replaced or rebuilt.

### Crankshaft Runout (Either Location)

**Standard:** under 0.04 mm (0.0016 in.) TIR

**Service Limit:** 0.10 mm (0.0039 in.) TIR



## 7-14 ENGINE BOTTOM END

### Crankshaft Maintenance

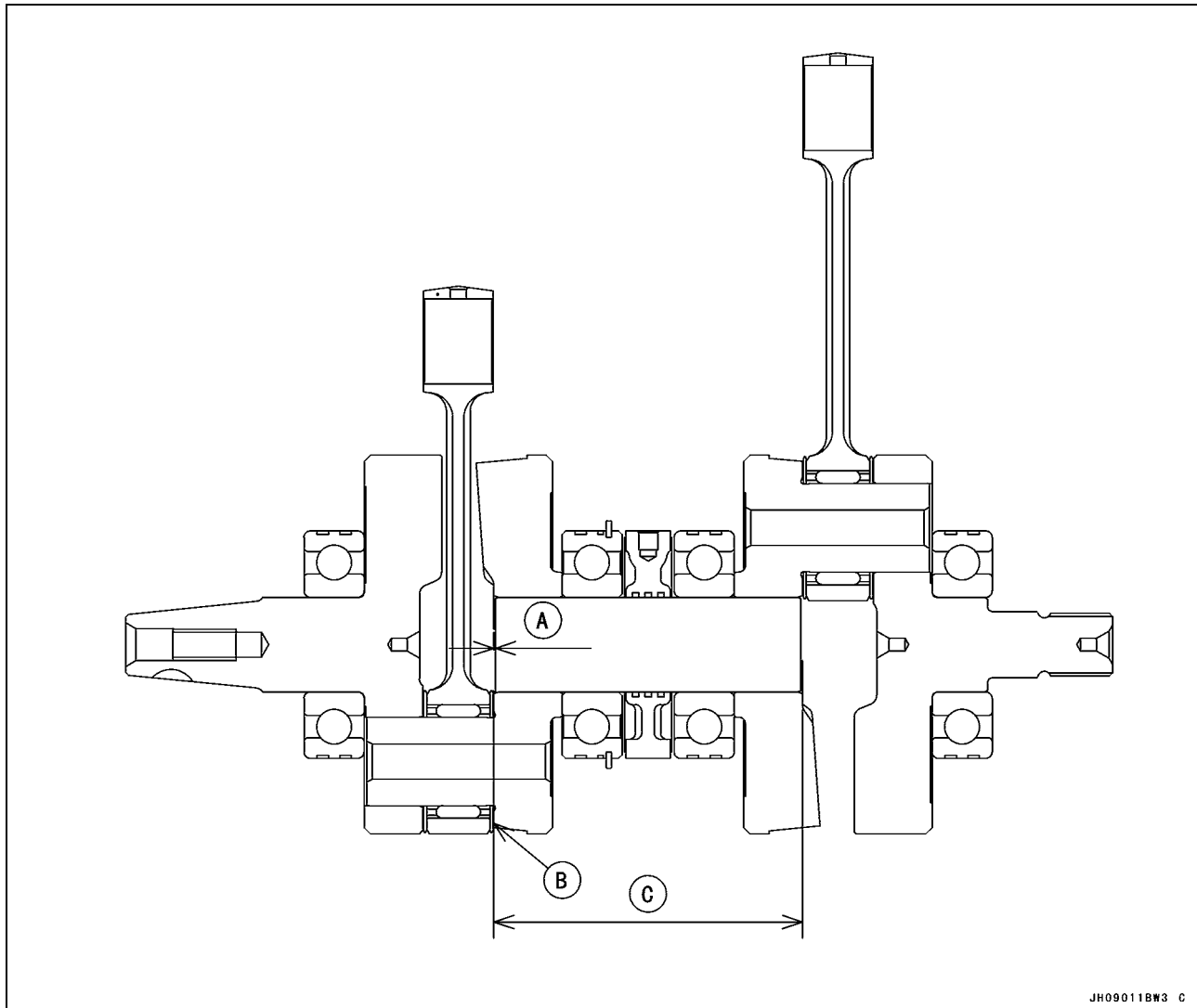
#### *Crankshaft Assembly Specifications*

If the crankshaft is disassembled, use these specifications during rebuilding.

0.5 mm (0.02 in.) [A]

0.45 ~ 0.55 mm (0.018 ~ 0.022 in.) [B]

97.5 mm (3.84 in.) [C]



JH09011B\*3 C

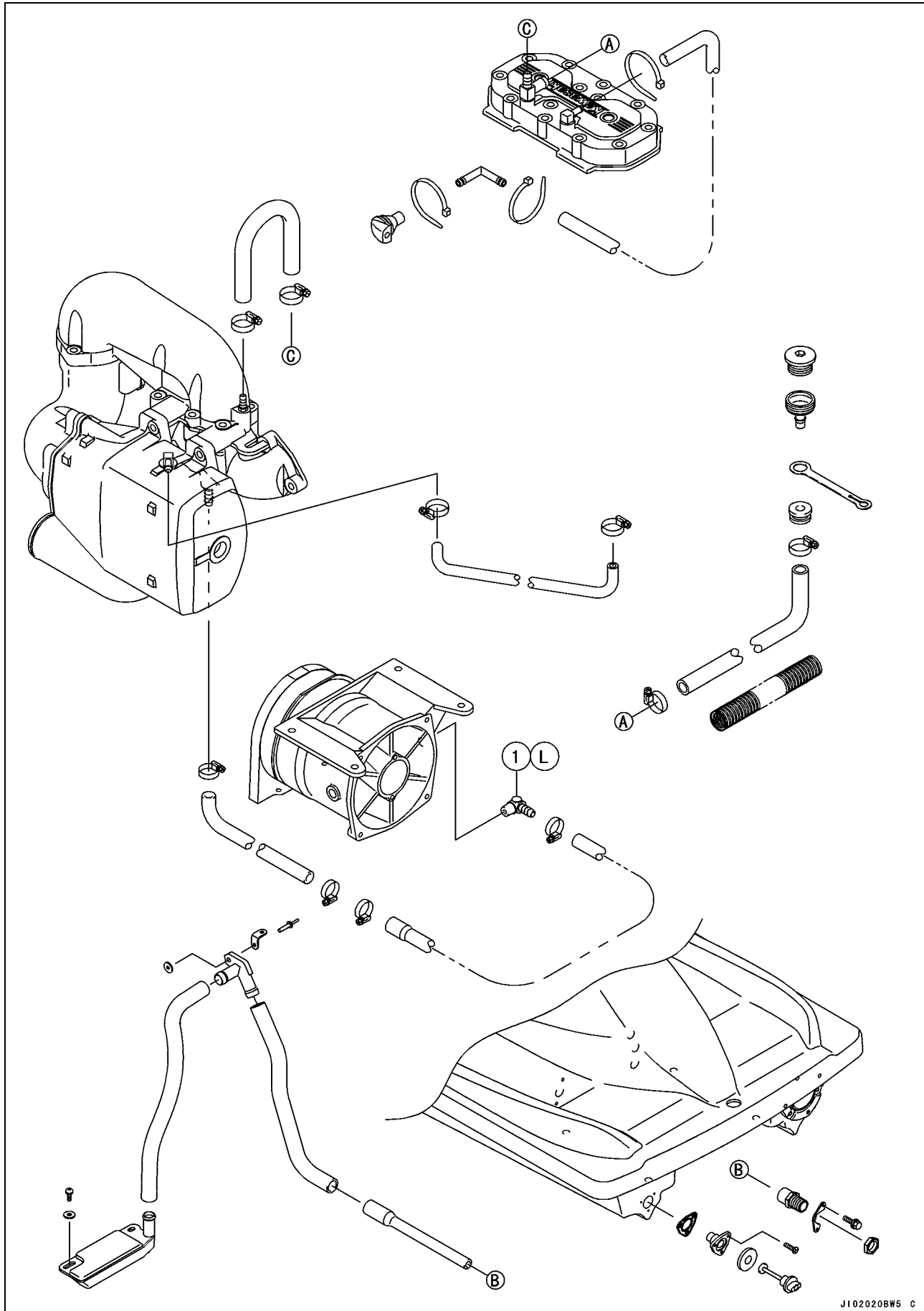
# Cooling and Bilge Systems

## Table of Contents

Exploded View .....	8-2
Cooling and Bilge System Flow Diagram .....	8-4
Bilge System.....	8-6
Breather Removal .....	8-6
Breather Installation .....	8-6
Breather Cleaning and Inspection.....	8-7
Bilge Filter Removal.....	8-7
Bilge Filter Cleaning and Inspection .....	8-7
Cooling and Bilge System Hoses .....	8-8
Hose Removal .....	8-8
Hose Installation .....	8-8
Hose Inspection .....	8-8
Cooling and Bilge System Flushing.....	8-9
Cooling System Flushing .....	8-9
Bilge System Flushing .....	8-9

# 8-2 COOLING AND BILGE SYSTEMS

## Exploded View





## COOLING AND BILGE SYSTEMS 8-3

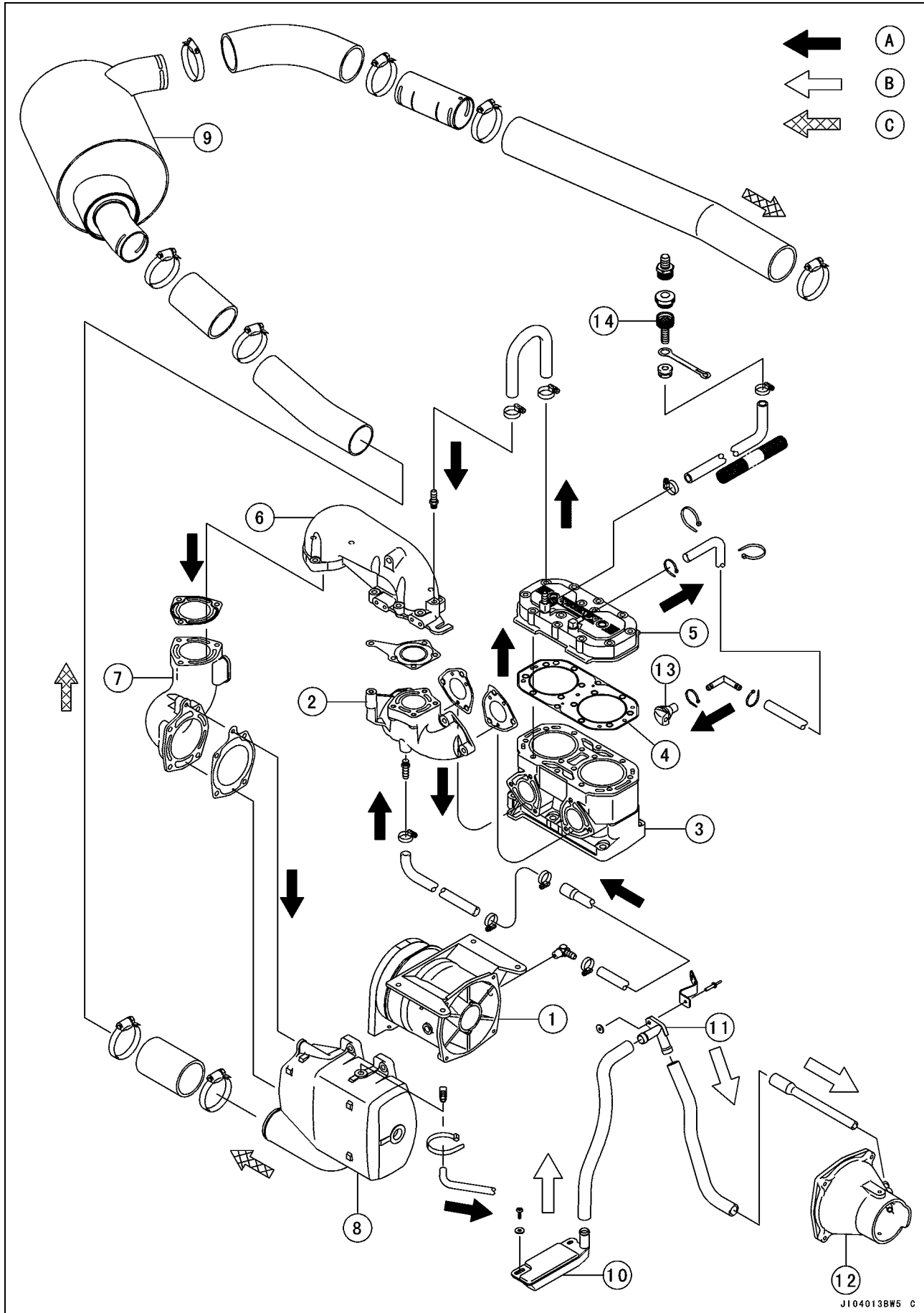
### Exploded View

No.	Fastener	Torque			Remarks
		N·m	kgf·m	ft·lb	
1	Water Hose Joint	9.8	1.0	87 in·lb	L

L: Apply a non-permanent locking agent.

# 8-4 COOLING AND BILGE SYSTEMS

## Cooling and Bilge System Flow Diagram



### Cooling and Bilge System Flow Diagram

---

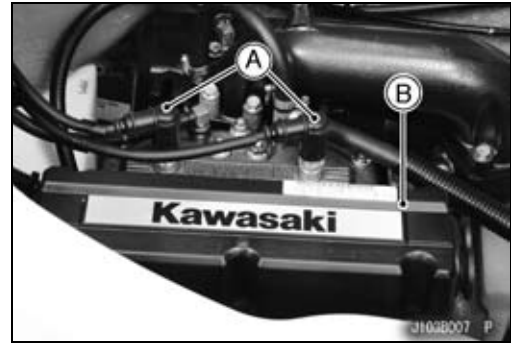
1. Pump
  2. Exhaust Manifold
  3. Cylinder
  4. Cylinder Head Gasket
  5. Cylinder Head
  6. Exhaust Pipe
  7. Front Muffler
  8. Expansion Chamber
  9. Water Box Muffler
  10. Bilge Filter
  11. Bilge Breather
  12. Pump Outlet
  13. Bypass Outlet
  14. Flushing Fitting
- A: Direction of Cooling System Flow  
B: Direction of Bilge System Flow  
C: Direction of Combined Exhaust Gas and Cooling Water Flow

## 8-6 COOLING AND BILGE SYSTEMS

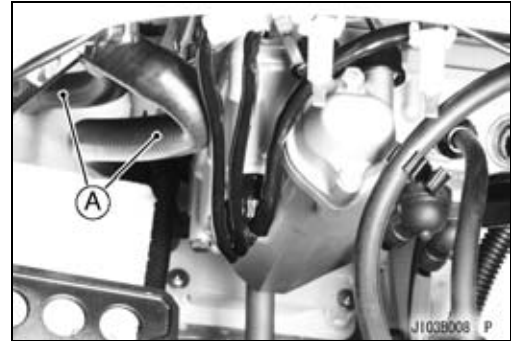
### Bilge System

#### Breather Removal

- Open the engine hood (see Hull/Engine Hood chapter).
- Pull off the spark plug caps [A].
- Remove the flame Arrester Cover [B].



Pull the hoses [A] off the breather.

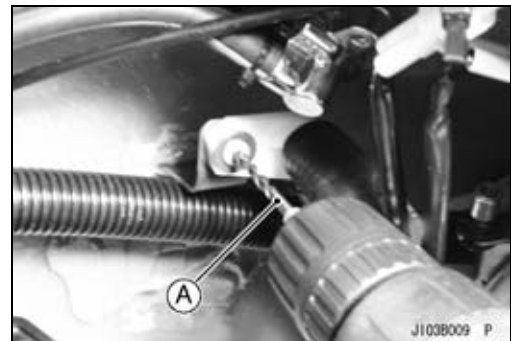


- Drill out the pop rivet with a drill bit [A] of the correct size.

**Pop Rivet Removal Drill Bit Size**  
5.0 mm (0.2 in.)

#### NOTE

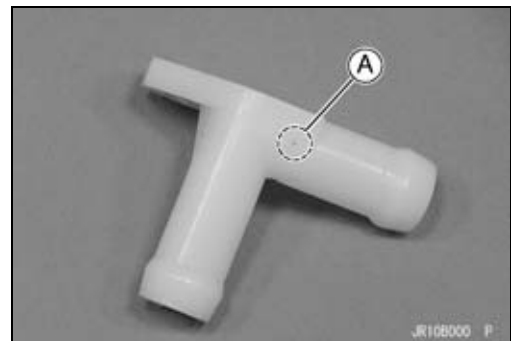
- Stop drilling when the rivet head starts to turn with drill bit.
- Tap the rivet out of the hull with a suitable punch and hammer.



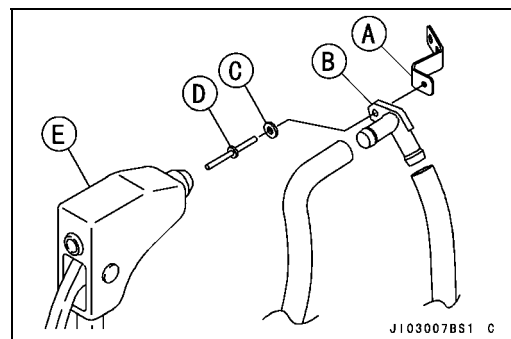
- Separate the breather from the bracket.

#### Breather Installation

- Be sure the small hole [A] in the breather is open before installing it.



- Align the holes on the bracket [A], and the washer [C] with the mounting hole on the breather [B].
- Secure the bracket and the washer to the breather with a pop rivet [D].  
Riveter [E]



### Bilge System

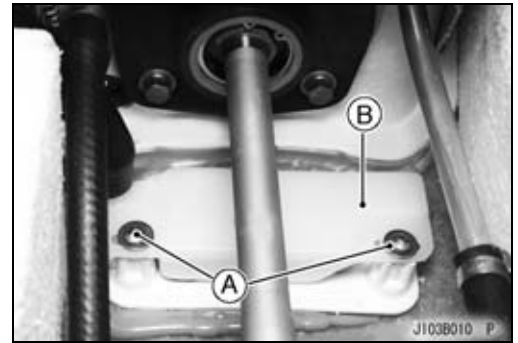
---

#### *Breather Cleaning and Inspection*

- Check that the small hole in the top of the breather is open by blowing in one end of the breather and plugging the other.
- ★ If the hole is plugged, clean it with compressed air. Do not open it with a pointed object (like a needle or a piece of wire), because the hole may be enlarged. If the hole is too large, the bilge system may not suck water out of the hull as well as it should.

#### *Bilge Filter Removal*

- Remove the electric case (see the Electrical System).
- Remove the mounting screws [A] and take out the bilge filter [B].



#### *Bilge Filter Cleaning and Inspection*

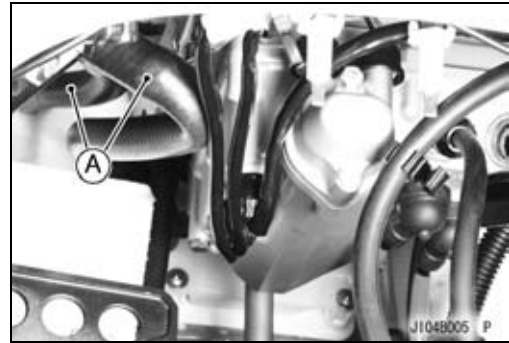
- Wash the bilge filter thoroughly with fresh water and shake it dry.
- Use a brush to remove any contaminants trapped in the bilge filter.
- Water must flow freely through the bilge filter, but large debris must not.
- ★ If the bilge filter cannot be cleaned, or if it is broken and allows debris to pass through, replace it.

## 8-8 COOLING AND BILGE SYSTEMS

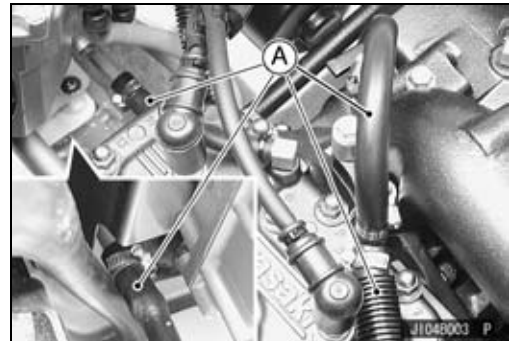
### Cooling and Bilge System Hoses

#### *Hose Removal*

- None of the bilge system hoses [A] has a clamp. To remove this hose, remove the bilge filter (see Bilge Filter Removal). The bilge system hoses without clamps may be simply pulled off their fittings.



- All the cooling system hoses [A] are clamped at both ends. Loosen the clamps and pull the hoses off.



#### *Hose Installation*

- To install the bilge filter hose, push the hose over the end of the bilge filter.
- When installing the cooling system hoses, be sure to use the same kind of clamp as the original. Some of the clamps are metal for tighter clamping ability (required when smooth fitting are used). Plastic clamps are used where tight clamping is not required.

#### *Hose Inspection*

- Refer to the Hose and Hose Connect Inspection in the Periodic Maintenance chapter.

### Cooling and Bilge System Flushing

---

#### *Cooling System Flushing*

- Refer to Cooling System Flushing in the Periodic Maintenance chapter.

#### *Bilge System Flushing*

- Refer to Bilge System Flushing in the Periodic Maintenance chapter.





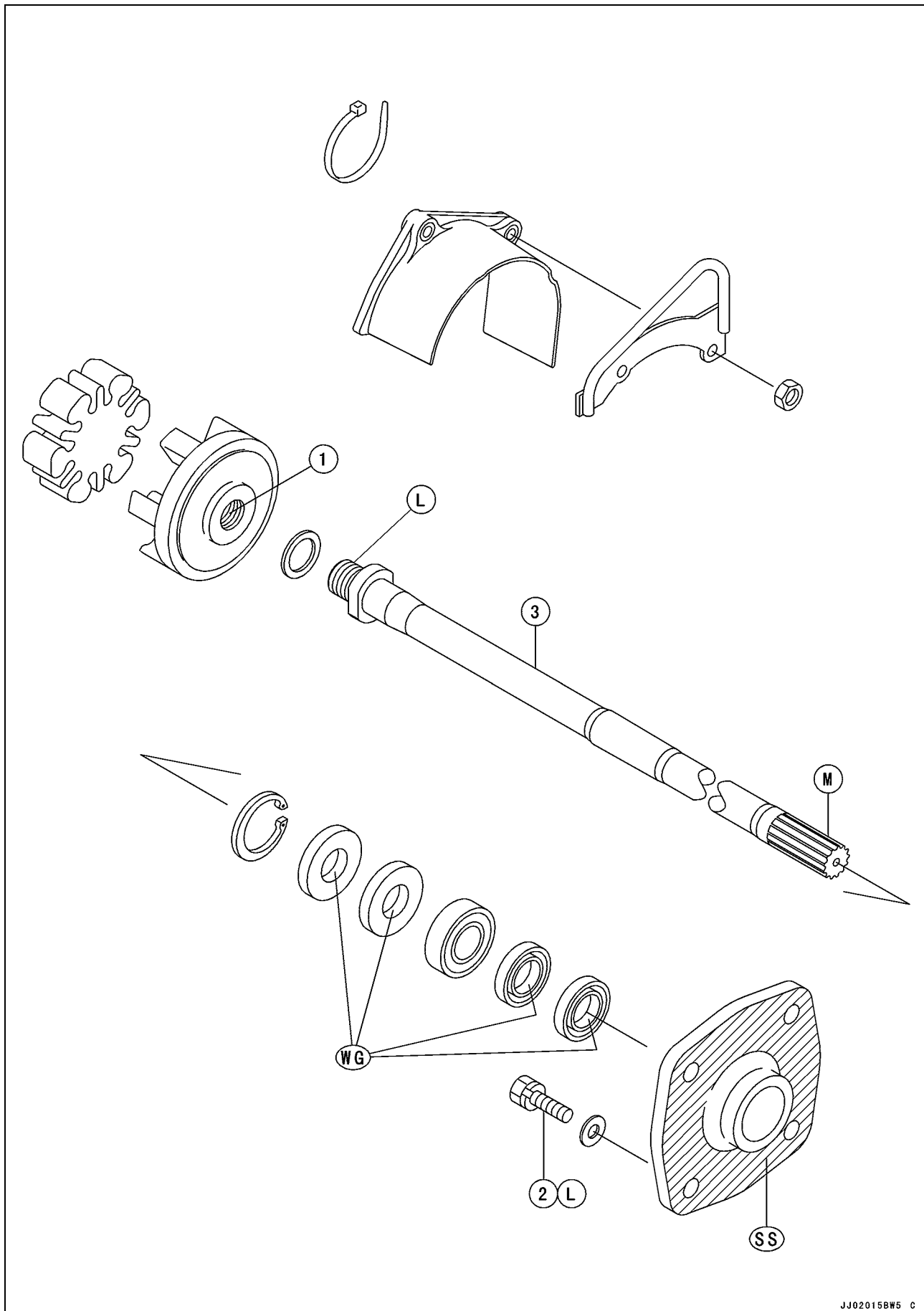
# Drive System

## Table of Contents

Exploded View .....	9-2
Specifications .....	9-4
Special Tools .....	9-5
Drive Shaft/Drive Shaft Holder .....	9-6
Drive Shaft Removal/Installation.....	9-6
Drive Shaft Holder Removal/Disassembly .....	9-6
Drive Shaft Holder Assembly/Installation.....	9-7
Drive Shaft Runout.....	9-8

# 9-2 DRIVE SYSTEM

## Exploded View



**Exploded View**

No.	Fastener	Torque			Remarks
		N·m	kgf·m	ft·lb	
1	Coupling	39	4.0	29	L
2	Drive Shaft Holder Mounting Bolts	22	2.2	16	L

3. Drive Shaft

L: Apply a non-permanent locking agent.

M: Apply molybdenum disulfide grease

SS: Apply silicone sealant.

WG: Apply water-resistance grease

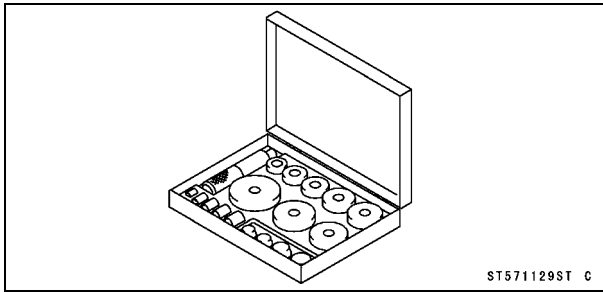
## 9-4 DRIVE SYSTEM

### Specifications

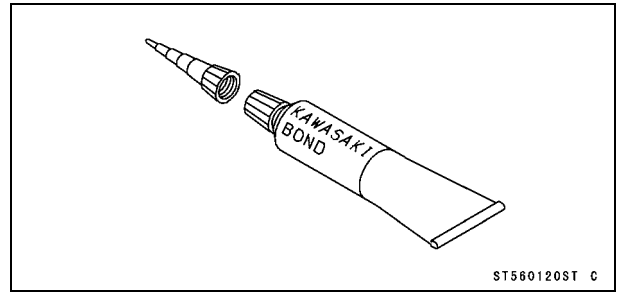
Item	Standard	Service Limit
<b>Drive Shaft</b> Runout (Refer to page 9-8)	[A] less than 0.1 mm (0.004 in.) [B] less than 0.2 mm (0.008 in.)	0.2 mm (0.008 in.) 0.6 mm (0.024 in.)

**Special Tools**

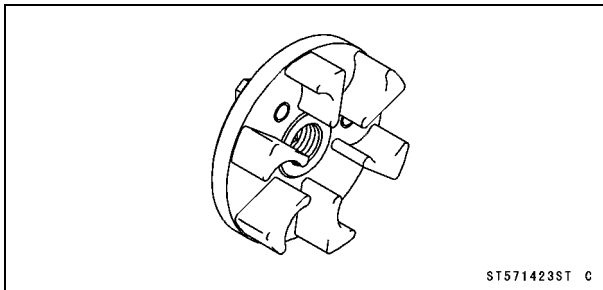
**Bearing Driver Set:  
57001-1129**



**Kawasaki Bond (Silicone Sealant):  
56019-120**



**Coupling Holder #2:  
57001-1423**

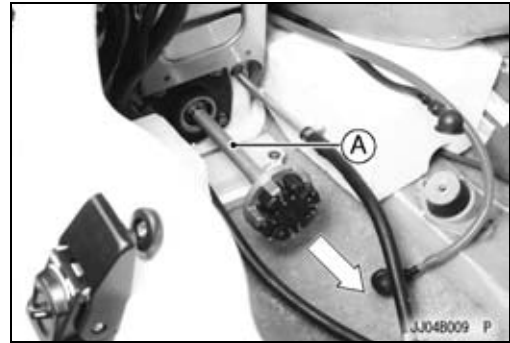


## 9-6 DRIVE SYSTEM

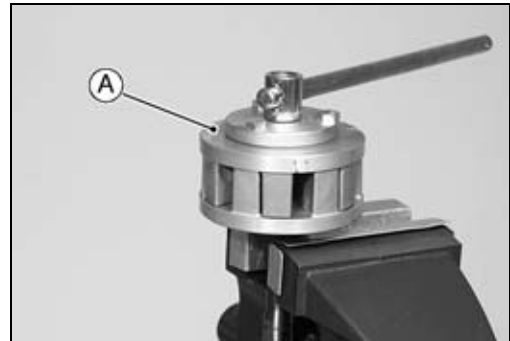
### Drive Shaft/Drive Shaft Holder

#### Drive Shaft Removal/Installation

- Remove the engine (see Engine Removal/Installation chapter).
- Unhook the fuel tank straps and move up the fuel tank.
- Pull the drive shaft [A] out of the hull.



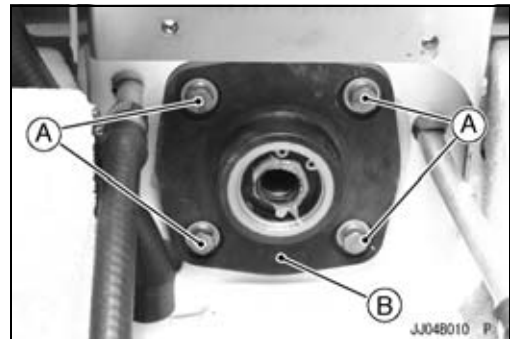
- Hold the drive shaft in a vice, and unscrew the coupling.  
**Special Tool - Coupling Holder #2: 57001-1423 [A]**



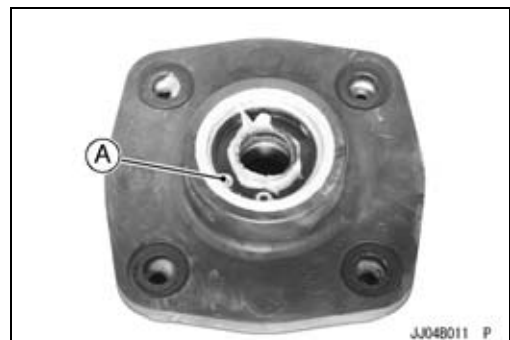
- When installing the drive shaft, be careful of the following items.
  - Apply a non-permanent locking agent to the threads of drive shaft and tighten the coupling.
  - Torque - Coupling: 39 N·m (4.0 kgf·m, 29 ft·lb)**
  - Apply water-resistance grease to the grease seal lips.
  - Apply molybdenum disulfide grease to the drive shaft spline.

#### Drive Shaft Holder Removal/Disassembly

- Remove the drive shaft.
- Unscrew the mounting bolts [A] and remove the drive shaft holder [B] from the bulkhead.



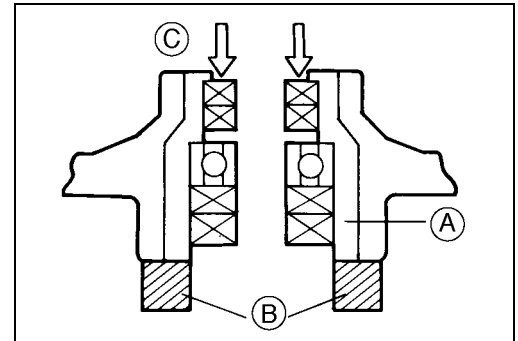
- Disassemble the drive shaft holder.
  - Remove the circlip [A].



## Drive Shaft/Drive Shaft Holder

- Press the small grease seal, and the large grease seals, bearing, and small grease seals come out of the holder.
  - Sleeve [A]
  - Blocks [B]
  - Press [C]

**Special Tool - Bearing Driver Set: 57001-1129**



### Drive Shaft Holder Assembly/Installation

- Replace the grease seals with new ones.
- Press the bearing and grease seals into the drive shaft holder, noting the following.
- Install the parts in this order.
  - Two Small Grease Seals [A]
  - One Bearing [B]
  - Two Large Grease Seals [C]
  - Bow [D]

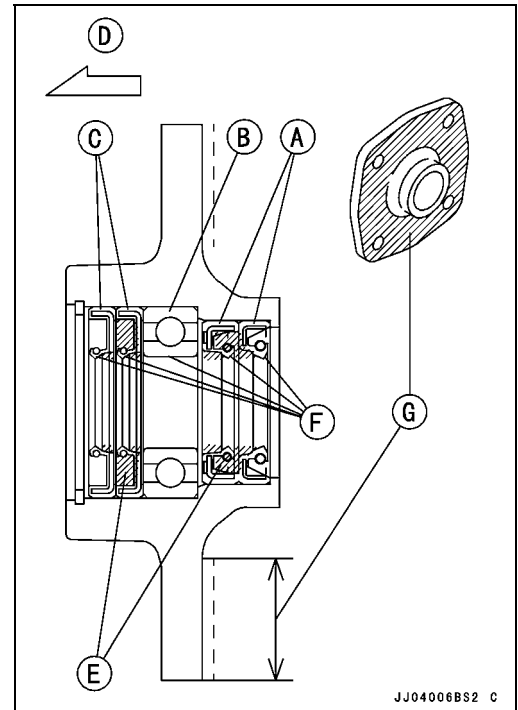
**Special Tool - Bearing Driver Set: 57001-1129**

- Install the seals so that the sides with the spring face outward.
- Fill the gaps between the seals with water-resistance grease [E].
- Install the circlip.
- Apply water-resistance grease [F] to the bearing inner surface and grease seal lips.
- Apply [G] silicone sealant to the back of the flange as shown.

**Sealant - Kawasaki Bond (Silicone Sealant): 56019-120**

- Tighten the drive shaft holder mounting bolts within 15 minutes after application of the silicone sealant.
- Install the drive shaft holder on the bulkhead so that the circlip side face toward the front.
- Apply a non-permanent locking agent to the drive shaft holder mounting bolts, tighten them loosely.
- Install the drive shaft.
- After installing the engine, tighten the drive shaft holder mounting bolts to the specified torque to give proper coupling alignment.

**Torque - Drive Shaft Holder Mounting Bolts: 22 N·m (2.2 kgf·m, 16.0 ft·lb)**



## 9-8 DRIVE SYSTEM

### Drive Shaft/Drive Shaft Holder

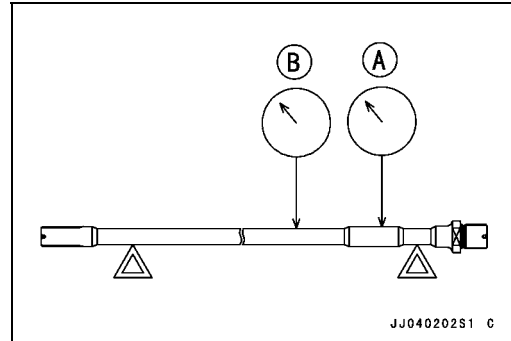
#### *Drive Shaft Runout*

- Measure drive shaft runout by supporting the shaft on V blocks and setting a dial gauge against the shaft at each point shown.
- Turn the drive shaft slowly. The difference between the highest and lowest dial gauge reading is the runout.
- ★ If any measurement exceeds the service limit, replace the shaft.

#### **Drive Shaft Runout**

**Standard:**      **Less than 0.1 mm (0.004 in.) [A]**  
                         **Less than 0.2 mm (0.008 in.) [B]**

**Service Limit:** **0.2 mm (0.008 in.) [A]**  
                         **0.6 mm (0.024 in.) [B]**





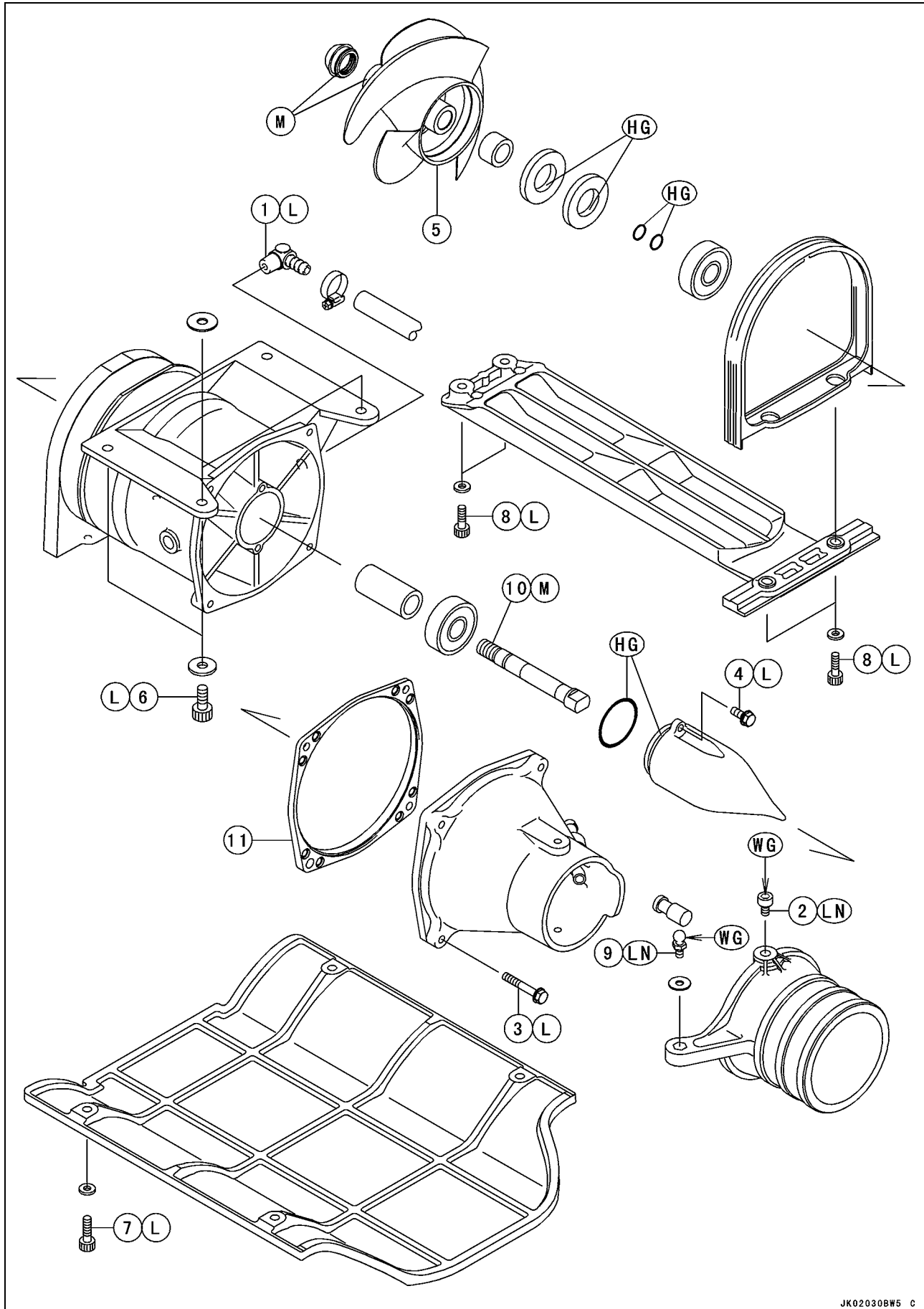
# Pump and Impeller

## Table of Contents

Exploded View .....	10-2
Specifications .....	10-4
Special Tools .....	10-5
Pump and Impeller .....	10-6
Pump Removal .....	10-6
Pump Installation .....	10-6
Pump Disassembly .....	10-7
Pump Assembly .....	10-9
Pump and Impeller Inspection .....	10-10
Impeller Outside Diameter Measurement .....	10-10
Impeller Clearance .....	10-11

# 10-2 PUMP AND IMPELLER

## Exploded View



**Exploded View**

No.	Fastener	Torque			Remarks
		N·m	kgf·m	ft·lb	
1	Water Hose Joint	9.8	1.0	87 in·lb	L
2	Steering Nozzle Pivot Bolts	8.8	0.90	78 in·lb	LN
3	Pump Outlet Mounting Bolts	–	–	–	L
4	Pump Cap Bolts	–	–	–	L
5	Impeller	98	10.0	72	
6	Pump Mounting Bolts	22	2.2	16	L
7	Pump Cover Mounting Bolts	6.9	0.70	61 in·lb	L
8	Grate Mounting Bolts	7.8	0.80	69 in·lb	L
9	Steering Cable Ball Joint	–	–	–	LN
10	Pump Shaft	98	10.0	72	M

11. Spacer (Install the spacer so that its thicker side faces downward.)

HG: Apply high-grease water-resistance grease (Chevron: Black Pearl Grease EP NLGI2 or equivalent).

L: Apply a non-permanent locking agent.

M: Apply molybdenum disulfide grease.

WG: Apply water-resistance grease.

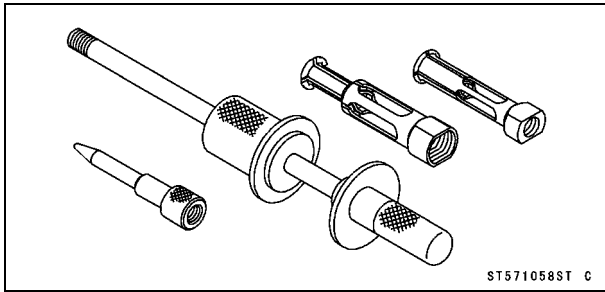
## 10-4 PUMP AND IMPELLER

### Specifications

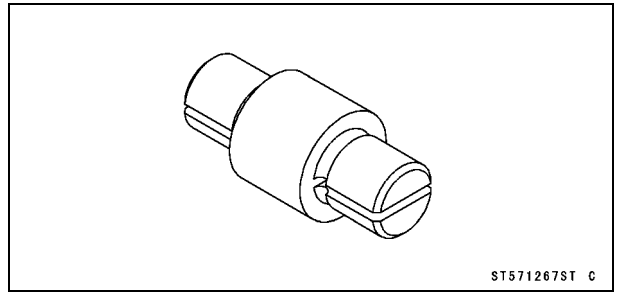
Item	Standard	Service Limit
<b>Jet Pump</b>		
Impeller Outside Diameter	139.5 ~ 139.7 mm (5.492 ~ 5.500 in.)	138.5 mm (5.453 in.)
Pump Case Inside Diameter	140.0 ~ 140.1 (5.512 ~ 5.516 in.)	141.1 mm (5.555 in.)
Impeller Clearance	0.15 ~ 0.30 mm (0.0059 ~ 0.012 in.)	0.60 mm (0.024 in.)

**Special Tools**

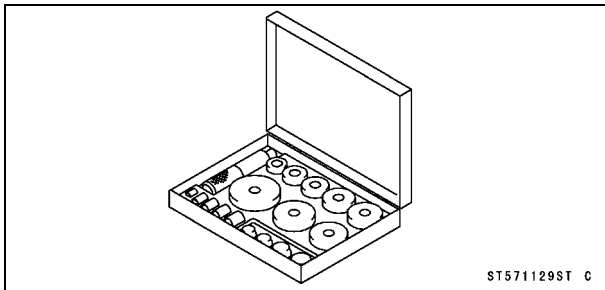
**Oil Seal & Bearing Remover:  
57001-1058**



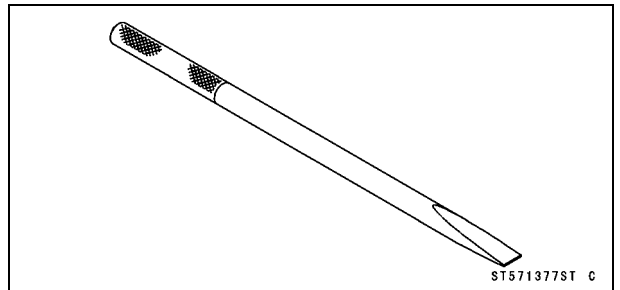
**Bearing Remover Head,  $\phi 15 \times \phi 17$ :  
57001-1267**



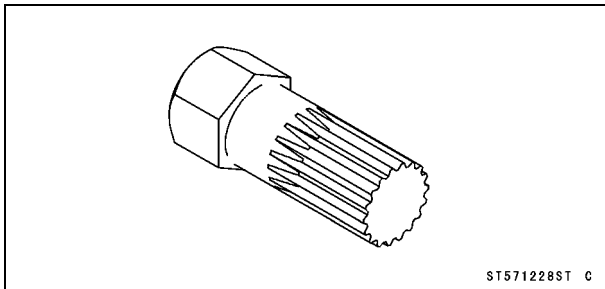
**Bearing Driver Set:  
57001-1129**



**Bearing Remover Shaft,  $\phi 13$ :  
57001-1377**



**Impeller Wrench:  
57001-1228**

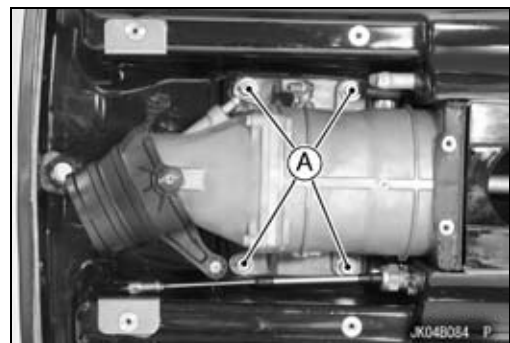
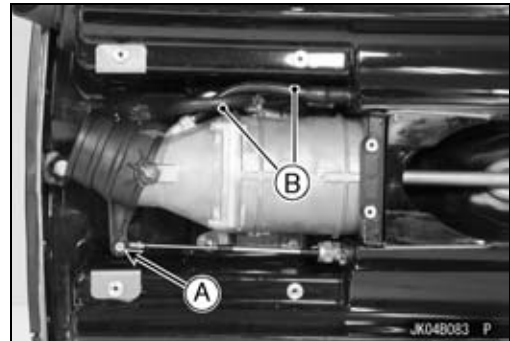
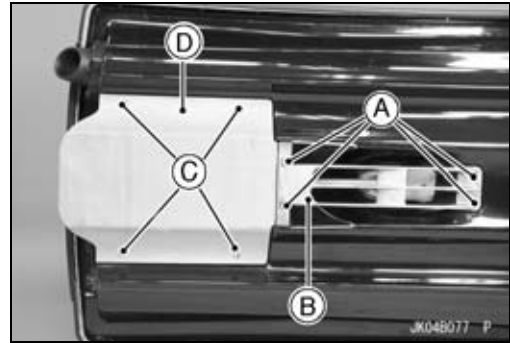


## 10-6 PUMP AND IMPELLER

### Pump and Impeller

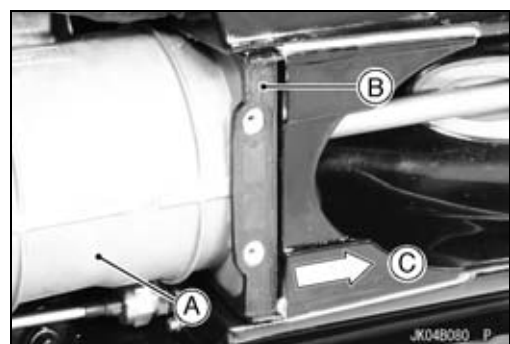
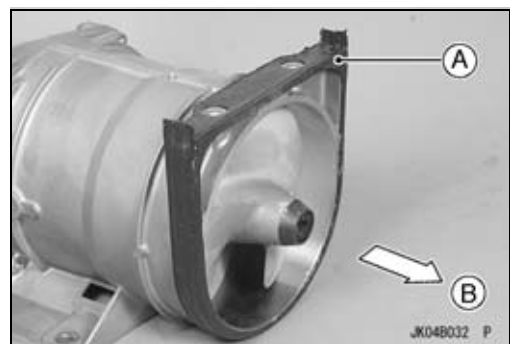
#### Pump Removal

- Turn the craft on its left side.
- Remove:
  - Grate Bolts [A]
  - Grate [B]
  - Cover Bolts [C]
  - Cover [D]
- Slip the steering cable connector [A] off the ball.
- Loosen the clamp, and pull off the hoses [B].
- Unscrew the pump mounting bolts [A].
- Slide the pump to the rear to disengage the drive shaft, and remove it from the hull.



#### Pump Installation

- Grease the splines on the drive shaft with molybdenum disulfide grease, and be sure the O-ring is in place inside the pump shaft.
- Be sure the trim seal [A] is in place.
  - Bow [B]
- When installing the pump case [A], be careful that the trim seal [B] is stayed in place.
  - Bow [C]
- If necessary, apply water or oil to the surface of the trim seal.

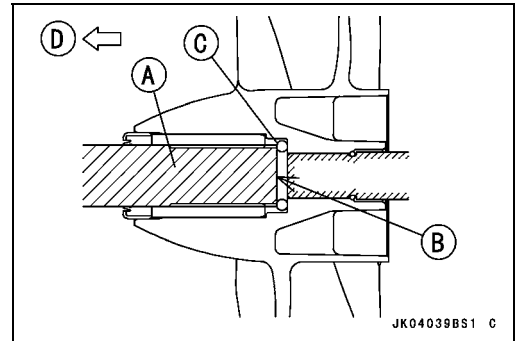


#### NOTE

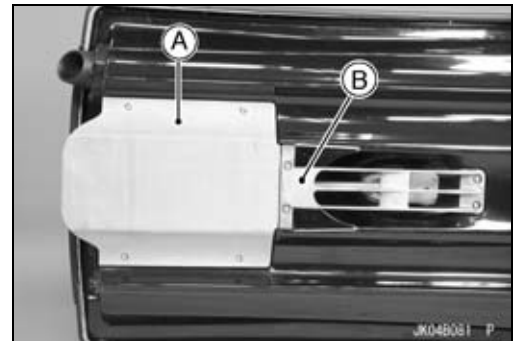
- No need to apply silicone sealant between the pump (trim seal) and the hull.

**Pump and Impeller**

- When installing the drive shaft [A], fit the drive shaft into the spline of the impeller such that no clearances [B] exist between the shaft end and the O-ring [C].  
Bow [D]
- Apply a non-permanent locking agent to the pump mounting bolts and tighten them.  
**Torque - Pump Mounting Bolts: 22 N·m (2.2 kgf·m, 16 ft·lb)**
- Connect the hose and steering cable.

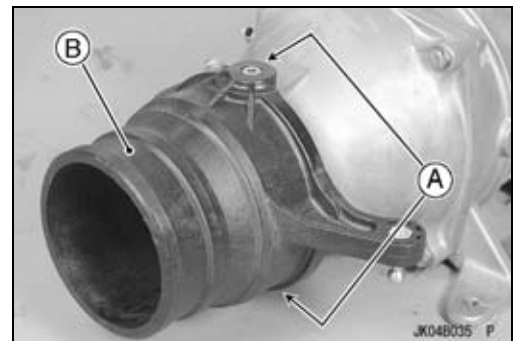


- Install the pump cover [A] and the pump grate [B].
- Apply a non-permanent locking agent to the following bolts and tighten them.  
**Torque - Pump Cover Mounting Bolts: 6.9 N·m (0.70 kgf·m, 61 in·lb)**  
**Grate Mounting Bolts: 7.8 N·m (0.80 kgf·m, 69 in·lb)**

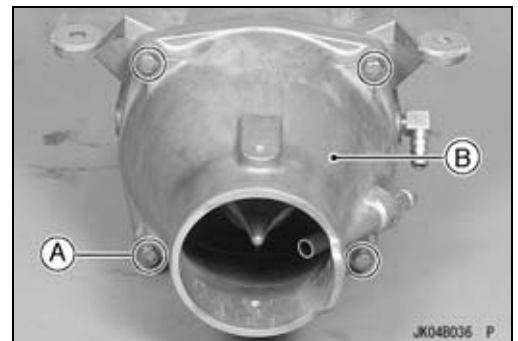


*Pump Disassembly*

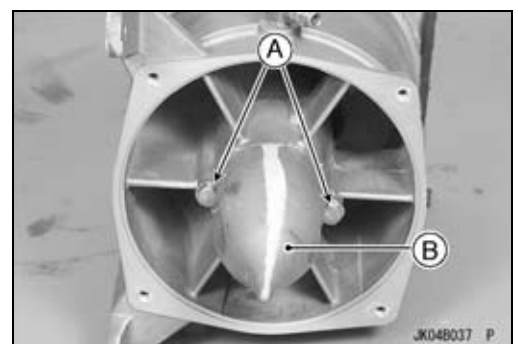
- Unscrew the mounting bolts [A], and remove the steering nozzle [B].



- Unscrew the mounting bolts [A], and remove the pump outlet [B].



- Unscrew the cap bolts [A], and remove the pump cap [B].

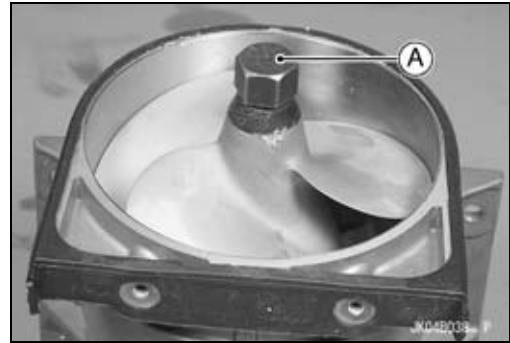


## 10-8 PUMP AND IMPELLER

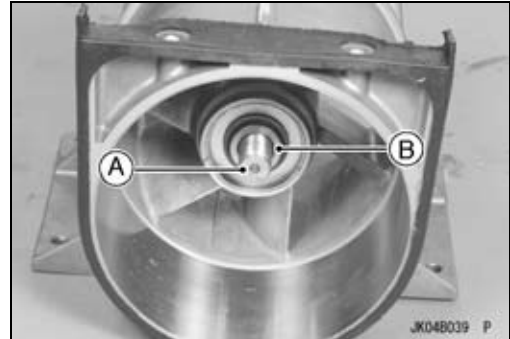
### Pump and Impeller

- Hold the shaft in a vise, taking care not to damage it.
- Remove the impeller from the pump shaft.

Special Tool - Impeller Wrench: 57001-1228 [A]



- Pull out the pump shaft [A], and then the bushing [B].



- Remove the grease seals [A].

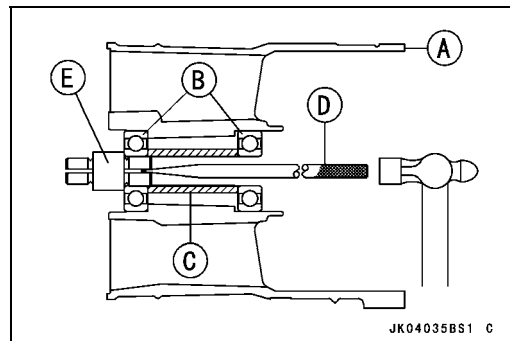
Special Tool - Oil Seal & Bearing Remover: 57001-1058 [B]



- Use the bearing remover (special tools) to remove the pump bearings.  
Pump Case [A]  
Pump Bearings [B]  
Collar [C]

Special Tools - Bearing Remover Shaft,  $\phi 13$ : 57001-1377 [D]

Bearing Remover Head,  $\phi 15 \times \phi 17$ : 57001-1267 [E]





**Pump and Impeller**

*Pump Assembly*

- Before installing the pump bearings, blow any dirt or foreign particles out of the pump case with compressed air.

**NOTE**

- Install the pump bearings so that the marked side faces out.
- Install the new bearings in the order listed by pushing the outer race with the bearing drivers [A].  
Rear Pump Bearing (until it bottoms out) [B]  
Collar [C]  
Front Pump Bearing (impeller side) [D]
- When installing the front pump bearing, support both inner and outer races of the rear pump bearing with a bearing driver.

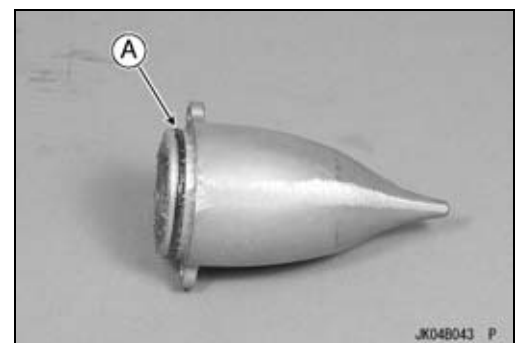
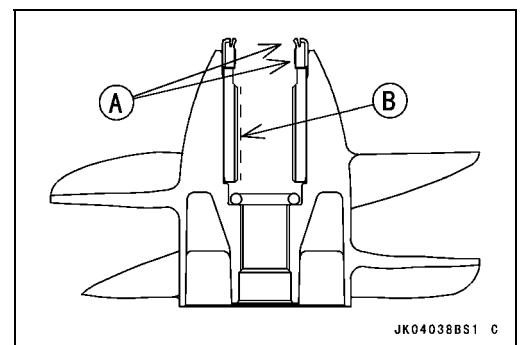
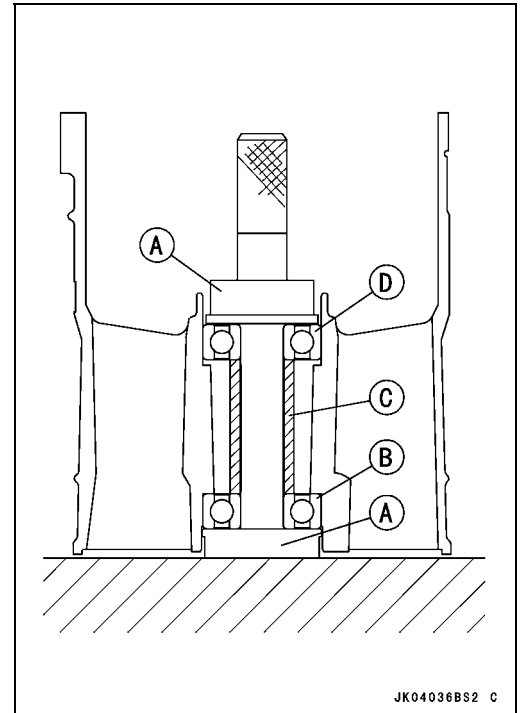
**Special Tool - Bearing Driver Set: 57001-1129**

- Install the grease seals, using the same special tool used for bearing installation.
- Press each seal into the pump case so that the side with the spring faces outward. Fill the gap of the seal with high-grade water-resistance grease.
- Push the bushing onto the pump shaft.
- Apply high-grade water-resistance grease to the pump shaft O-rings, and molybdenum disulfide to the thread of the pump shaft and insert the shaft from the rear of the pump case.
- Screw the impeller on the pump shaft.

**Special Tool - Impeller Wrench: 57001-1228**

- Tighten:  
**Torque - Impeller: 98 N·m (10.0 kgf·m, 72 ft·lb)**
- Grease with molybdenum disulfide grease:  
Lips [A] of Impeller Grease Seal  
Bore [B] of Impeller

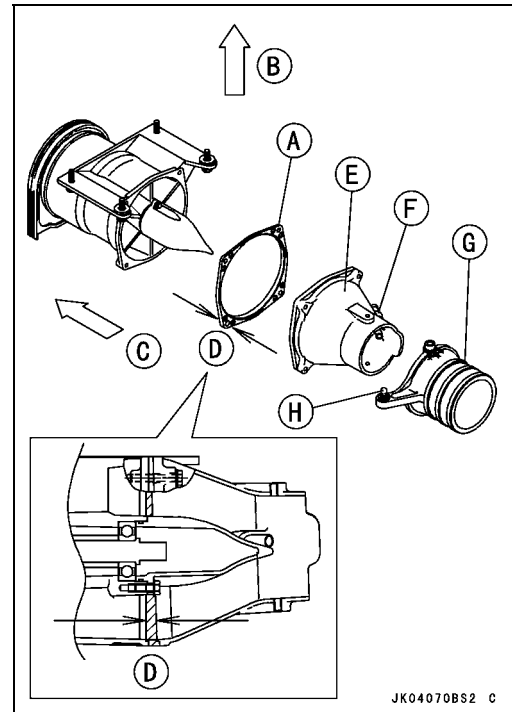
- Install the new O-ring [A] in place on the pump cap.
- Install:  
Pump Cap
- Apply a non-permanent locking agent to the thread of the pump cap bolts.



# 10-10 PUMP AND IMPELLER

## Pump and Impeller

- Install the spacer [A], noting its direction.
    - [B] Hull Side
    - [C] Bow
  - Install the spacer so that its mark (JF800DOWN) faces downward.
  - If there is no mark, install the spacer so that its thicker side [D] faces downward.
  - Install the pump outlet [E] so that its hose fitting [F] faces the right.
  - Apply a non-permanent locking agent to the pump outlet mounting bolts and tighten them.
  - Install the steering nozzle [G] so that its ball joint [H] faces the left.
  - Apply a non-permanent locking agent (High strength: Loctite 271 equivalent) to the steering nozzle pivot bolts and tighten them.
- Torque - Steering Nozzle Pivot Bolts: 8.8 N·m (0.90 kgf·m, 78 in·lb)**



### Pump and Impeller Inspection

- Refer to Impeller Inspection in the Periodic Maintenance chapter.

### Impeller Outside Diameter Measurement

- Measure the impeller outside diameter.
- ★ If the impeller is worn smaller than the service limit, replace it.

#### Impeller Outside Diameter

**Standard: 139.5 ~ 139.7 mm (5.492 ~ 5.500 in.)**

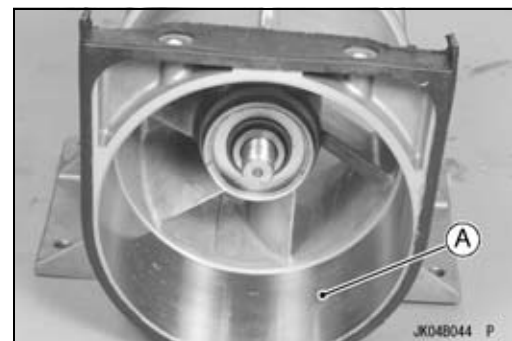
**Service Limit: 138.5 mm (5.453 in.)**

- Examine the pump case [A].
- ★ If there are deep scratches inside the pump case, replace it.
- Measure the inside diameter of the pump case.
- ★ If the pump case is worn beyond the service limit, replace it.

#### Pump Case Inside Diameter

**Standard: 140.0 ~ 140.1 mm (5.512 ~ 5.516 in.)**

**Service Limit: 141.1 mm (5.555 in.)**



### Pump and Impeller

#### *Impeller Clearance*

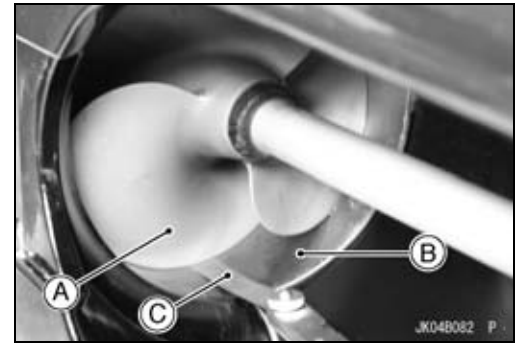
- Impeller clearance is critical to proper performance. If the pump case and impeller are not visibly damaged, poor performance may be caused by too much impeller clearance.
- To check impeller clearance, remove the grate and insert a feeler gauge [C] between the tip of the impeller blade [A] and the pump case [B].

#### **Impeller Clearance**

**Standard:** 0.15 ~ 0.30 mm (0.0059 ~ 0.012 in.)

**Service Limit:** 0.60 mm (0.024 in.)

- ★ If impeller clearance is incorrect, determine if it is due to wear or damage (see Pump and Impeller Inspection).





---

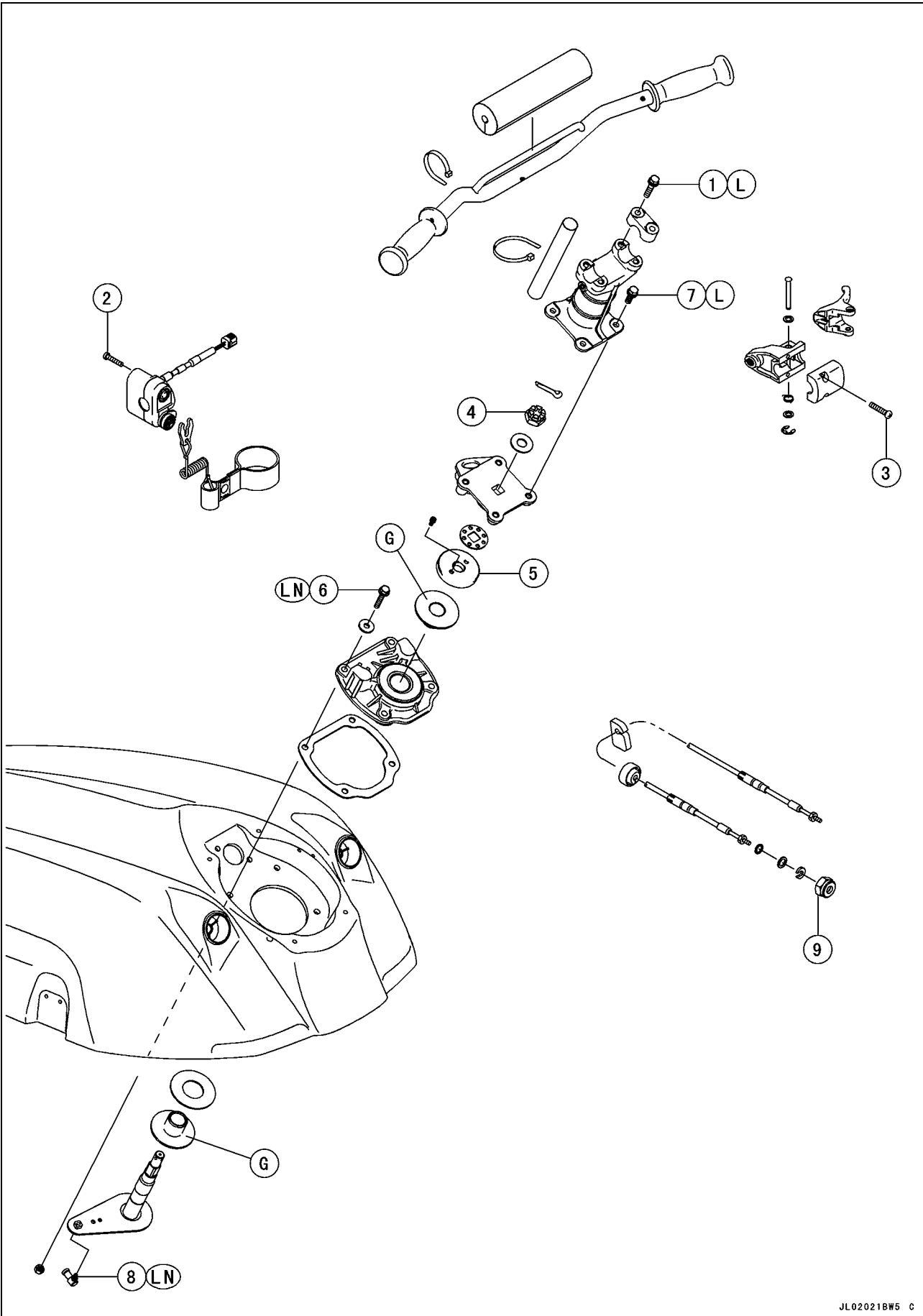
# Steering

## Table of Contents

Exploded View .....	11-2
Special Tool and Sealant .....	11-4
Steering Cable .....	11-5
Steering Cable Adjustment .....	11-5
Steering Cable Removal .....	11-5
Steering Cable Installation .....	11-7
Steering Cable Inspection .....	11-7
Steering Cable Lubrication .....	11-7
Handlebar .....	11-8
Hand Grip Removal/Installation .....	11-8
Handlebar Removal .....	11-8
Handlebar Installation .....	11-8
Steering .....	11-10
Steering Removal .....	11-10
Steering Installation .....	11-11

# 11-2 STEERING

## Exploded View



## Exploded View

No.	Fastener	Torque			Remarks
		N·m	kgf·m	ft·lb	
1	Handlebar Clamp Bolts	16	1.6	12	L
2	Start/Stop Switch Case Mounting Screws	3.9	0.40	35 in·lb	
3	Throttle Case Mounting Screws	3.9	0.40	35 in·lb	
4	Steering Shaft Locknut	49 ~ 59	5.0 ~ 6.0	36 ~ 43	
5	Steering Shaft Nut	–	–	–	Hand-tighten
6	Steering Holder Mounting Bolts	20	2.0	14	LN
7	Steering Neck Mounting Bolts	16	1.6	12	L
8	Ball Joint	9.8	1.0	87 in·lb	LN
9	Steering Cable Nut	39	4.0	29	

G: Apply grease.

L: Apply a non-permanent locking agent.

LN: Apply a non-permanent locking agent (High Strength: Loctite 271 Equivalent).

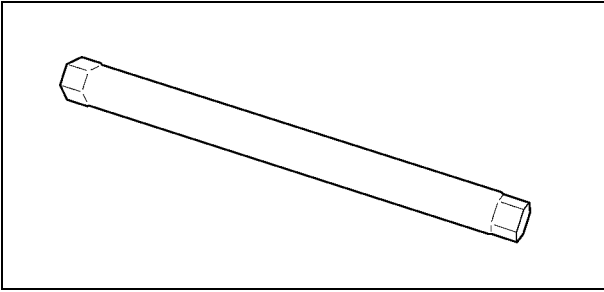
## 11-4 STEERING

### Special Tool and Sealant

---

Box Wrench (27 mm)

57001-1451

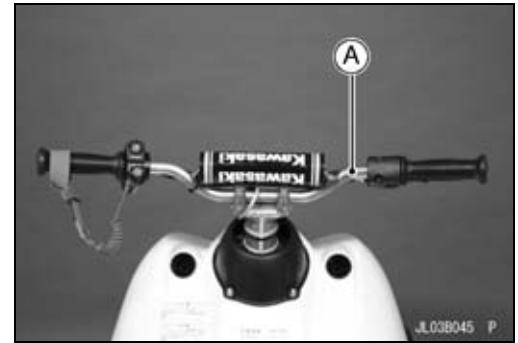




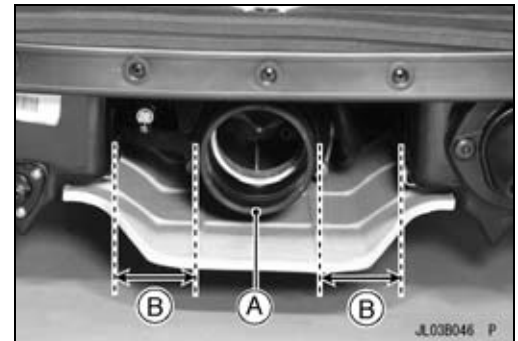
## Steering Cable

### Steering Cable Adjustment

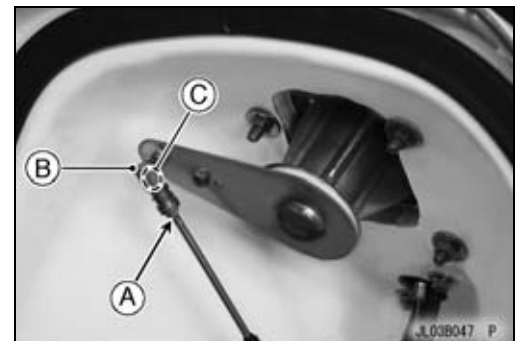
- Check the steering cable adjustment.
- Center the handlebar [A] in the straight-ahead position.



- Check that the steering nozzle [A] is centered in the pump cavity. The same distance [B].

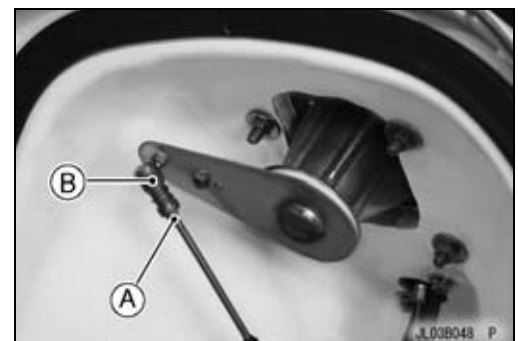


- If necessary, adjust the steering cable.
- Open the engine hood and loosen the locknut [A] on the steering cable.
- Disconnect the ball joint by sliding the outer sleeve [B] away from the ball [C] slightly, and lift the cable from the ball.
- Turn the ball joint on the cable to adjust the steering.
- Connect the ball joint and check cable adjustment again.
- When adjustment is correct, tighten the steering cable locknut.
- If you cannot adjust to the correct position even with the above-mentioned adjustment procedure, adjust the ball joint on the pump side in the same way.
- As an additional check, turn the handlebar all the way to the left and right, and measure the distance between the nozzle and the edge of the pump cavity. It should be equal at both extremes.



### Steering Cable Removal

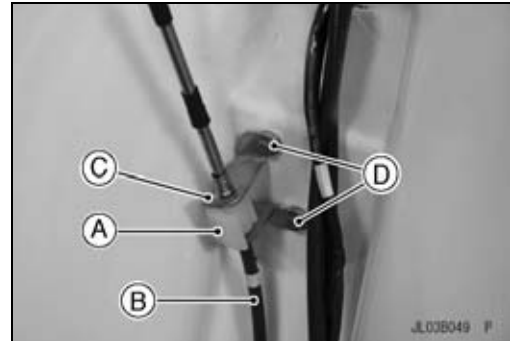
- Open the engine hood.
- Loosen the locknut [A] at the front end of the steering cable, and slide back the outer sleeve of the ball joint and take off the ball joint [B] and remove the locknut from the cable front end.



## 11-6 STEERING

### Steering Cable

- Pull the holder [A] off the cable bracket.
- Slide the steering cable [B] off the cable bracket [C]. If the cable is hard to remove, unscrew the cable bracket mounting bolts [D], and remove the cable bracket.



- Turn the watercraft on its left side and remove the pump cover (see the Pump/Impeller chapter).

#### CAUTION

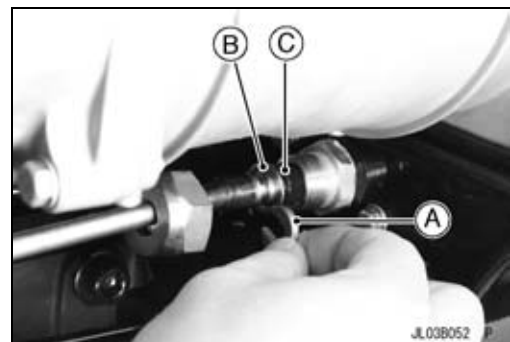
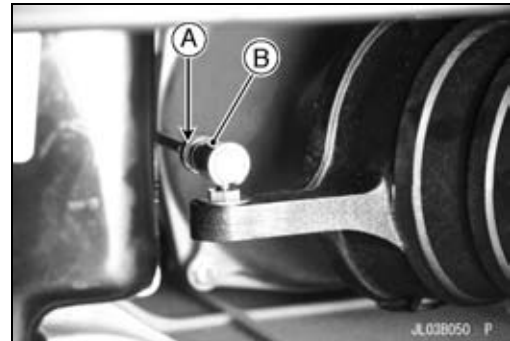
**Never lay the watercraft on the right side. Water in the exhaust system may drain back into the engine, causing serious damage.**

- Loosen the locknut [A] at the rear end of the steering cable, and slide back the outer sleeve of the ball joint and take off the ball joint [B].
  - Remove the joint and locknut from the cable end.
  - Undo a steering nozzle pivot bolt on one side and move the nozzle slightly.
  - Remove the large nut (steering cable nut) in the hull with a wrench.
- Special tool, box wrench [A] is useful to remove the large nut (steering cable nut).

**Special Tool - Box Wrench (27 mm) 57001-1451**

**Torque - Steering Nozzle Pivot Bolt: 8.8 N·m (0.90 kgf·m, 78 in·lb)**

- Pull out the steering cable toward the rear with snap ring [A], washer [B] and O-ring [C].



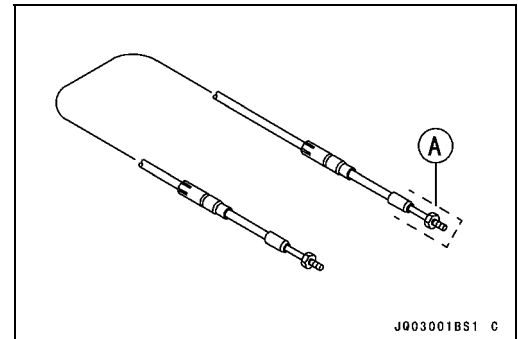
## Steering Cable

- Remove:  
Exhaust Manifold (see Engine Top End chapter)
- Pull the cable from cable detent [A] in the engine compartment.
- Remove the cable by carefully pulling rear section of the cable through the hull.



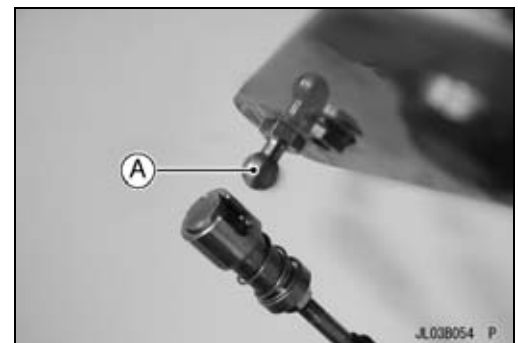
### Steering Cable Installation

- Install a short piece of rubber [A] or plastic tubing over the front cable end to guide the cable through the hull.
- Lubricate the outside of the new cable to ease cable installation.
- Tighten:  
**Torque - Steering Cable Nut: 40 N·m (4.0 kgf·m, 29 ft·lb)**
- Apply a non-permanent locking agent to the cable ball joint bolt and the steering cable bracket mounting bolts, if they are removed (See Exploded View).



**Torque - Cable Joint Bolt: 9.8 N·m (1.0 kgf·m, 87 in·lb)**

- Apply the joint ball [A] with water resistant grease.
- Adjust the steering cable (see Steering Cable Adjustment).



### Steering Cable Inspection

- Refer to Steering Cable Inspection in the Periodic Maintenance chapter.

### Steering Cable Lubrication

#### NOTE

- *The steering cable is sealed at each end and does not require lubrication. If the seal is damaged, the cable must be replaced.*

## 11-8 STEERING

### Handlebar

#### Hand Grip Removal/Installation

- The hand grips are bonded to the handlebar. To remove them, cut the grips lengthwise [B] with a sharp knife [A] and peel them off the bar.

#### **⚠ WARNING**

Read all warnings and cautions on any solvents and adhesives used. Many of these products are flammable, may be harmful to the skin and eyes, and may give off harmful vapors. Use these solvents and adhesives only in a well-ventilated area and never near an open flame.

- Apply an adhesive to the inside of grip.
- Slide the grip into position on the handlebar.

#### Handlebar Removal

- Take out the throttle case mounting screws and remove the throttle case [A].
- Take out the switch case mounting screws and remove the switch case [B].
- Remove the handlebar pad [C].
- Cut off the clamp [D].

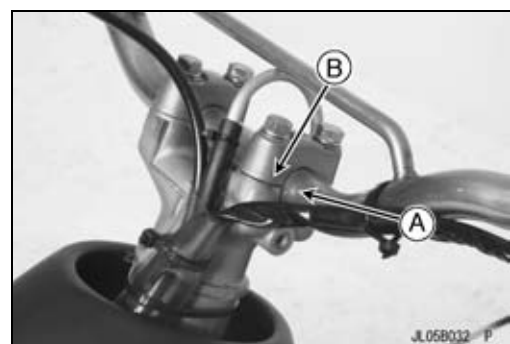
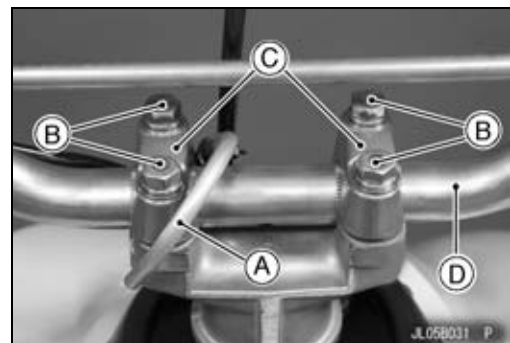
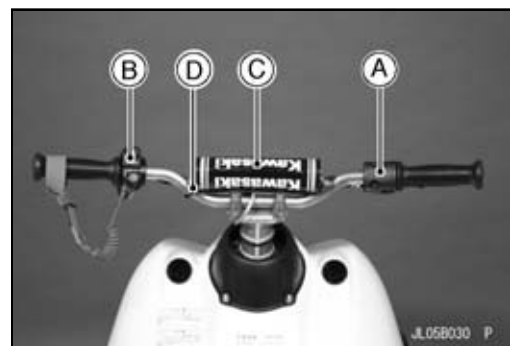
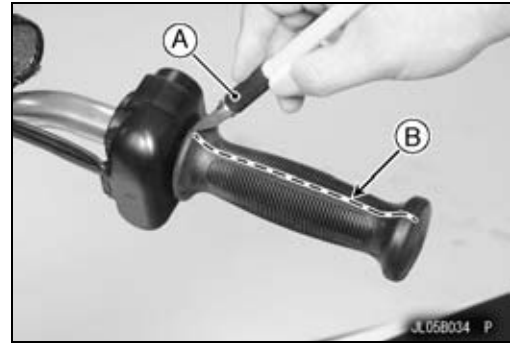
- Remove the pipe [A].
- Unscrew the handlebar clamp bolts [B] and remove the handlebar clamps [C] and handlebar [D].

#### Handlebar Installation

- Install the handlebar on the holder of the steering neck.
- Apply a non-permanent locking agent to the handlebar clamp bolts.

- Align the punch mark [A] on the left side of the handlebar with the parting line [B].
- Tighten the front and then rear handlebar clamp bolts to the specified torque.

**Torque - Handlebar Clamp Bolts: 16 N·m (1.6 kgf·m, 12 ft·lb)**



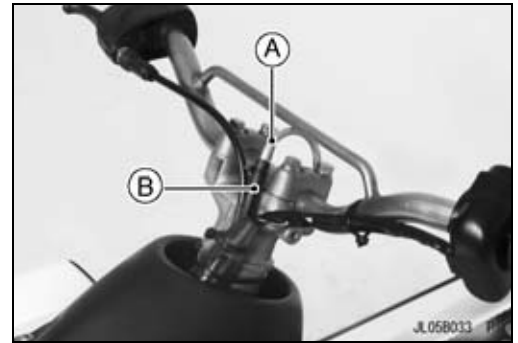
## Handlebar

- Be sure the pipe [A] is installed on the top end of the fuel vent hose [B]. Check whether the pipe is caught securely on the handlebar.

### CAUTION

**Be sure to install the fuel tank air vent pipe correctly and securely. The engine will surely malfunction if the fuel tank air vent pipe end gets clogged by the handlebar pad and/or; if the air vent hose is folded; and/or driving the watercraft with the air vent hose remaining clogged.**

- Install the throttle case and switch case. Tighten the screws.  
Torque - Throttle Case Mounting Screws: 3.9 N·m (0.40 kgf·m, 35 in·lb)  
Switch Case Mounting Screws: 3.9 N·m (0.40 kgf·m, 35 in·lb)
- Install the handlebar pad.

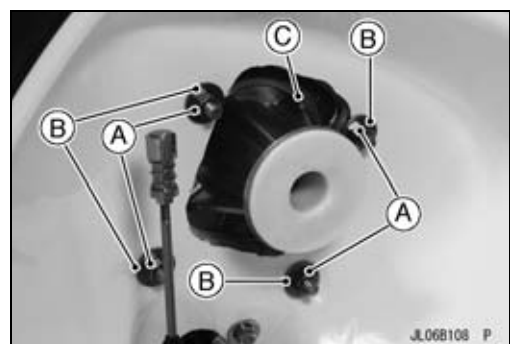
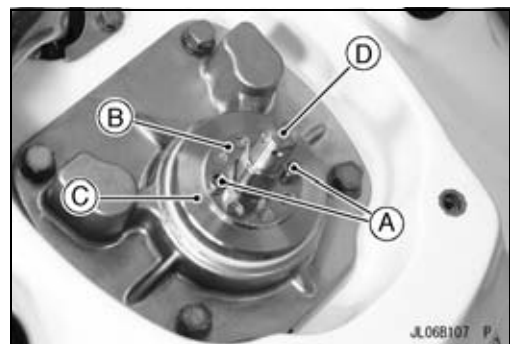
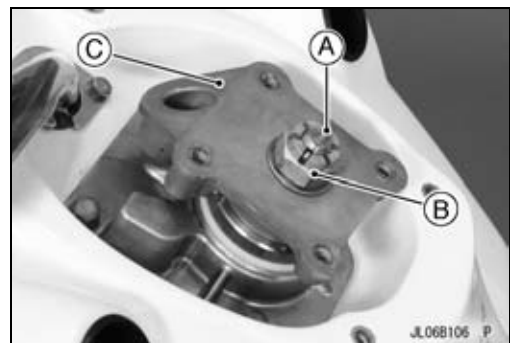
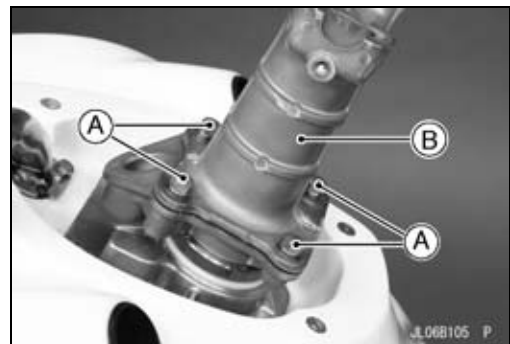
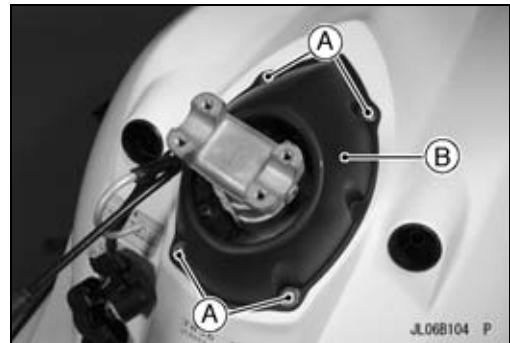


## 11-10 STEERING

### Steering

#### Steering Removal

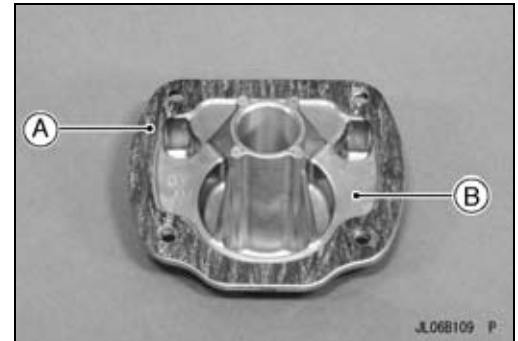
- Remove:
  - Handlebars (see Handlebar Removal in the Steering chapter)
  - Steering cover mounting bolts [A]
  - Steering cover [B]
- Unscrew the steering neck mounting bolts [A] and remove the steering neck [B].
- Remove the cotter pin [A] and steering shaft locknut [B].
- Take out the holder [C].
- Remove:
  - Lock Plate Bolts [A]
  - Lock Plate [B]
- Remove the steering shaft nut [C] and pull off the steering shaft [D] downward.
- Unscrew the steering holder mounting bolts, nuts [A], and washers [B], and lift up the steering holder [C].



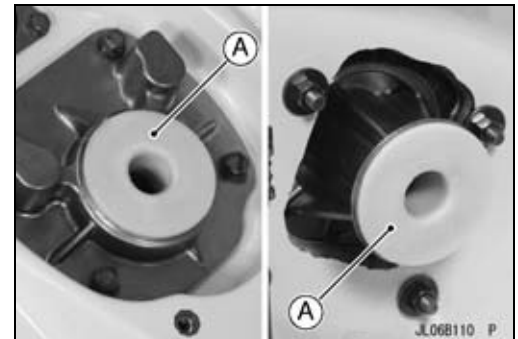
## Steering

### Steering Installation

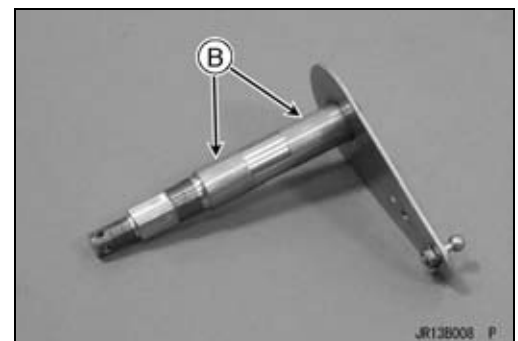
- Replace the gasket [A] on the steering holder [B] with a new one.
- Install the steering holder.



- Check the bushings for damage and wear.
- ★ If the bushings are damaged or worn, replace them.
- Grease:  
Bushing [A]



### Steering Shaft [B]



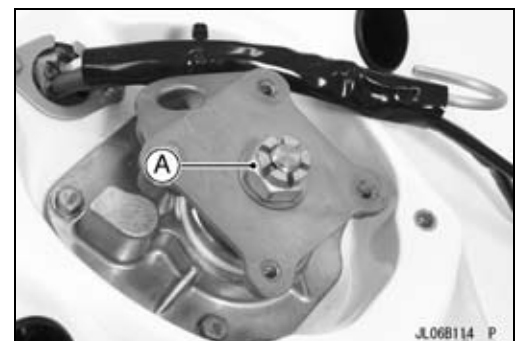
- Install the steering shaft and the steering shaft nut (Hand-Tighten) [A] to the steering holder.
- If steering is too tight, turn the steering shaft nut counter-clockwise to loosen.
- If steering is too loose, turn the steering shaft nut clockwise to tighten.



### NOTE

○ The steering shaft must be turned smoothly when the cable is connected. Turn the steering shaft nut 1/6 or less turn at a time.

- Tighten the steering shaft locknut [A].  
**Torque - Steering Shaft Locknut: 49 ~ 59 N·m (5.0 ~ 6.0 kgf·m, 36 ~ 43 ft·lb)**



# 11-12 STEERING

## Steering

- Replace the cotter pin [A] with a new one.

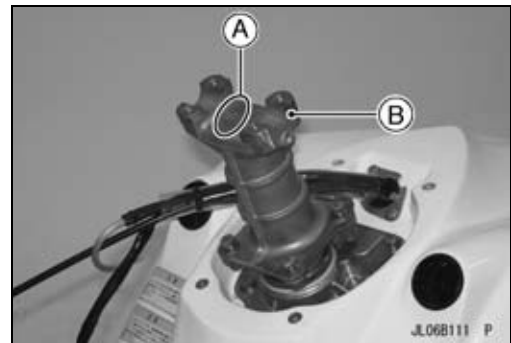
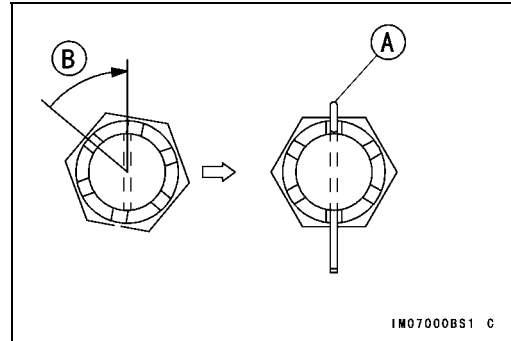
### NOTE

- When inserting the cotter pin, if the slots in the locknut do not align with the cotter pin hole in the steering shaft, tighten the locknut clockwise [B] up to next alignment.
  - It should be within 30 degrees.
  - Loosen once and tighten again when the slot goes past the nearest hole.
- Bend the cotter pin.
  - Install the steering holder.
  - Apply a non-permanent locking agent (High Strength: Loctite 271 Equivalent) to the steering holder mounting bolts.

**Torque - Steering Holder Mounting Bolts: 20 N·m (2.0 kgf·m)**

- Install the steering neck [B] so that its arrow mark [A] points toward the front.
- Apply a non-permanent locking agent to the steering neck mounting bolts

**Torque - Steering Neck Mounting Bolts: 16 N·m (1.6 kgf·m, 12 ft·lb)**





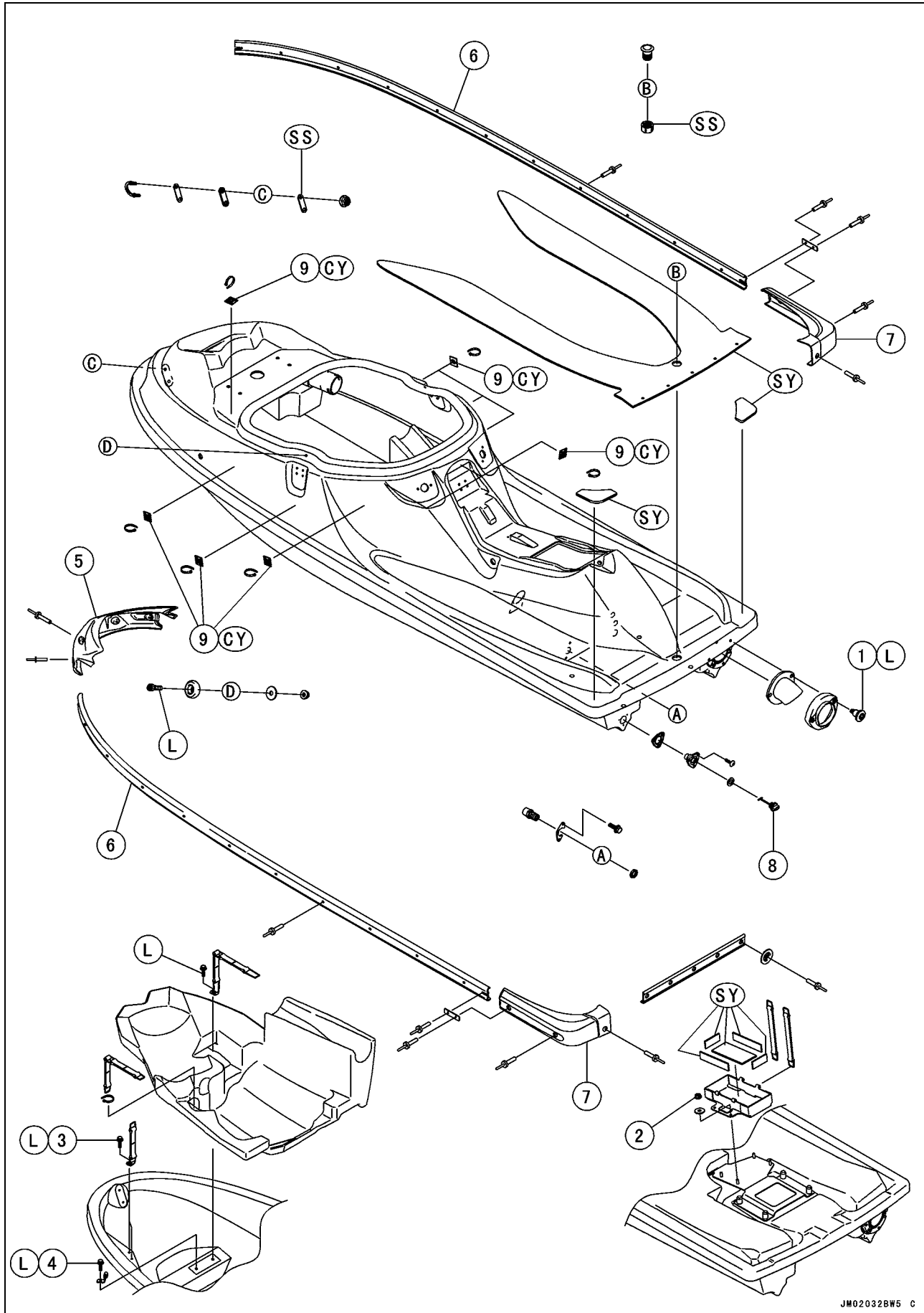
# Hull/Engine Hood

## Table of Contents

Exploded View .....	12-2
Engine Hood .....	12-6
Engine Hood Opening .....	12-6
Engine Hood Closing .....	12-6
Engine Hood Removal .....	12-7
Engine Hood Installation .....	12-8
Latch Removal .....	12-8
Latch Installation .....	12-9
Catch Removal .....	12-9
Catch Installation .....	12-9
Tool Holder Removal .....	12-9
Tool Holder Installation .....	12-9
Fittings .....	12-10
Seat Removal .....	12-10
Seat Installation .....	12-10
Battery Bracket Removal .....	12-10
Battery Bracket Installation .....	12-10
Electric Case Bracket Removal .....	12-11
Electric Case Bracket Installation .....	12-11
Seat Hook Removal .....	12-11
Seat Hook Installation .....	12-11
Drain Plug Housing Removal .....	12-12
Drain Plug Housing Installation .....	12-12
Exhaust Outlet Removal .....	12-12
Exhaust Outlet Installation .....	12-12
Rivet Removal .....	12-12
Rivet Installation .....	12-13
Front Bumper Removal .....	12-13
Front Bumper Installation .....	12-13
Corner Bumper Removal .....	12-13
Corner Bumper Installation .....	12-13
Side Bumper Removal .....	12-14
Side Bumper Installation .....	12-14
Rear Bumper Removal .....	12-15
Rear Bumper Installation .....	12-15
Hull Replacement .....	12-16
Rubber Parts .....	12-17
Rubber Parts Location .....	12-17

# 12-2 HULL/ENGINE HOOD

## Exploded View



**Exploded View**

No.	Fastener	Torque			Remarks
		N·m	kgf·m	ft·lb	
1	Exhaust Outlet Bolts	–	–	–	L
2	Battery Bracket Nuts	–	–	–	
3	Strap Bolts	–	–	–	L
4	Strap Bracket Bolt	–	–	–	L

- 5. Front Bumper
- 6. Side Bumper
- 7. Corner Bumper
- 8. Drain Plug
- 9. Holder

CY: Apply cyanoacrylate cement.

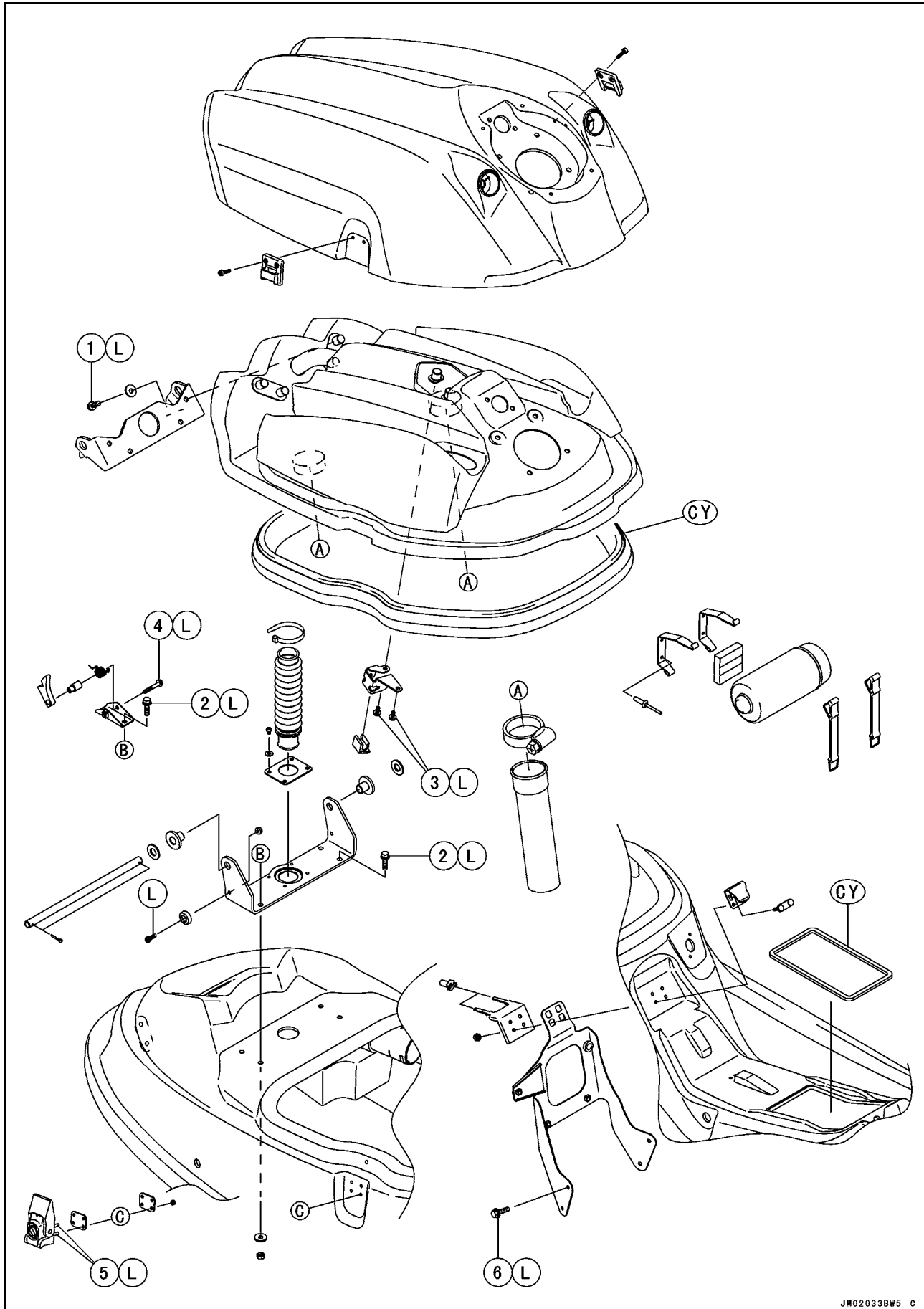
L: Apply a non-permanent locking agent

SS: Apply silicon sealant.

SY: Apply synthetic rubber adhesive.

# 12-4 HULL/ENGINE HOOD

## Exploded View



**Exploded View**

No.	Fastener	Torque			Remarks
		N·m	kgf·m	ft·lb	
1	Upper Bracket Bolts (Engine Hood)	–	–	–	L
2	Lower Bracket Bolts (Deck)	–	–	–	L
3	Steering Cable Bracket Bolts	–	–	–	L
4	Engine Hood Stopper Pin Bolts	–	–	–	L
5	Latches	–	–	–	L
6	Electric Case Bracket Bolts	–	–	–	L

CY: Apply cyanoacrylate cement.

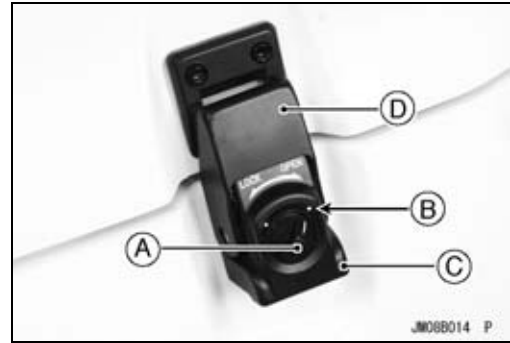
L: Apply a non-permanent locking agent

## 12-6 HULL/ENGINE HOOD

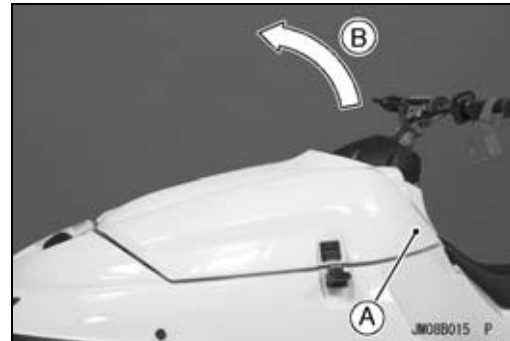
### Engine Hood

#### Engine Hood Opening

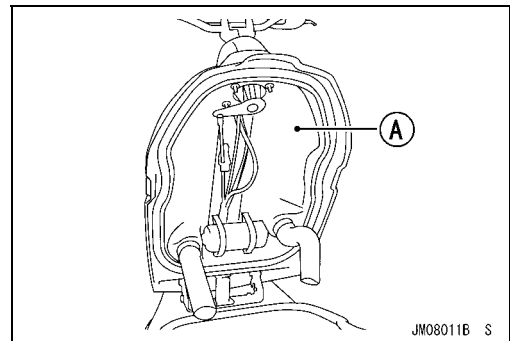
- Turn the latch lock knob [A] to the open position [B], pull the latch [C] fully up and detach the upper part [D]. (on both right and left sides)



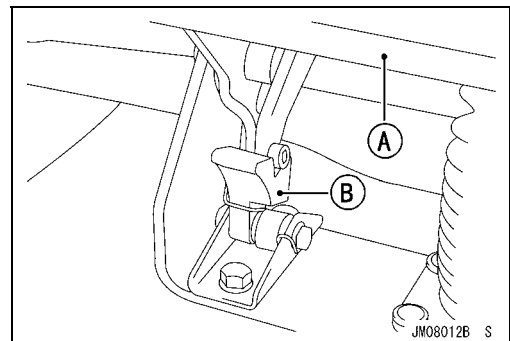
- Pull [B] the rear part of the engine hood [A] up.
- Pull it up until the stopper is engaged.



- When the engine hood is open [A].



- The state of the stopper [B], when the engine hood [A] is open.



#### Engine Hood Closing

- Holding the engine hood up, disengage the stopper [A].

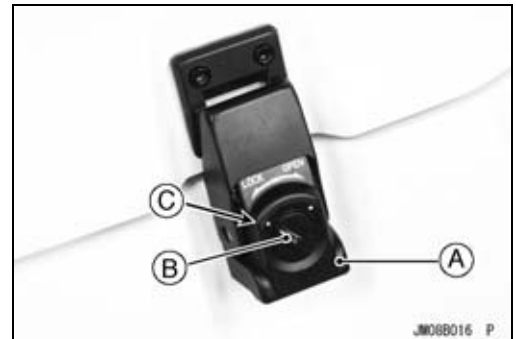


## Engine Hood

- Keep a latch [A] out of the way so that it may not get caught.
- Keep the duct [B] in the correct position so that it may not come into the way or be bent in course of closing the engine hood.



- When you have closed the engine hood, always engage the latches [A] and turn the latch knobs [B] to the lock position [C].

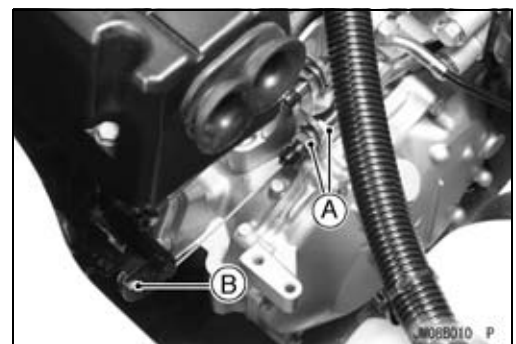


### Engine Hood Removal

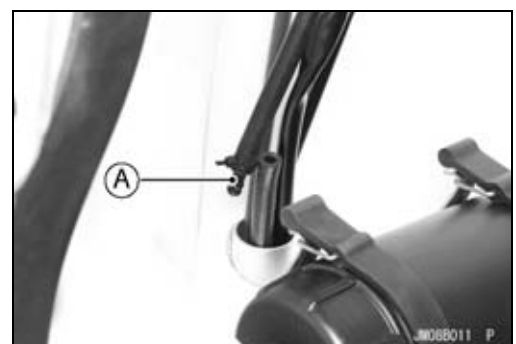
- Open the engine hood (see Engine Hood Opening in the Hull/Engine Hood chapter).
- Detach the steering cable upper end [A].



- Detach the throttle cable lower end.
  - Unscrew the locknut [A] and remove the cable end [B].



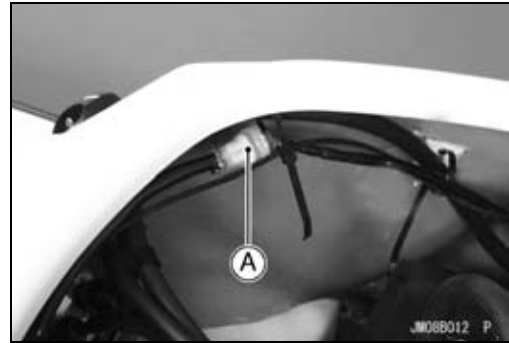
- Remove the fuel tank vent hose joint [A].



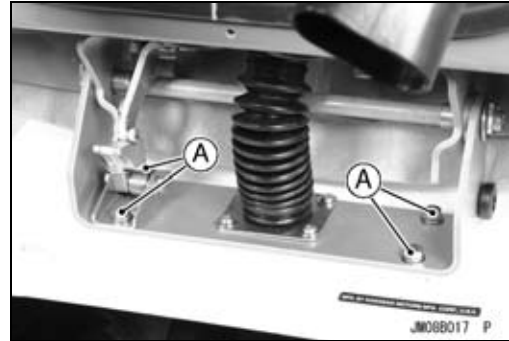
## 12-8 HULL/ENGINE HOOD

### Engine Hood

- Remove the starter switch cable coupler [A].



- Holding the engine hood up, remove the engine hood bracket bolts [A].
- Remove the engine hood with care so as not to catch cables.



#### *Engine Hood Installation*

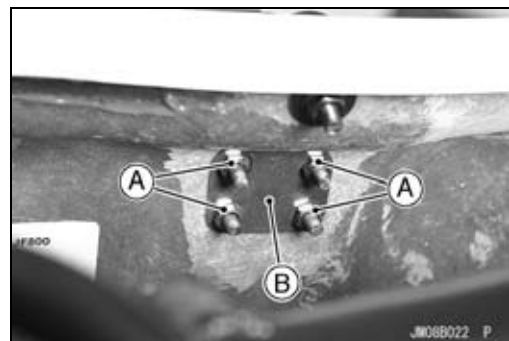
- Route the steering cable.
- Route the throttle cable.
- Route the starter switch cable coupler.
- Set the engine hood bracket bolts after applying a non-permanent locking agent.
- Connect the fuel vent hose.
- Install the steering cable and adjust it.
- Install the throttle cable and adjust it.
- Close the engine hood.
- Push down a latch, turn the latch lock knob to the lock position.

#### **CAUTION**

**Make sure the latches are securely locked on both right and left sides.**

#### *Latch Removal*

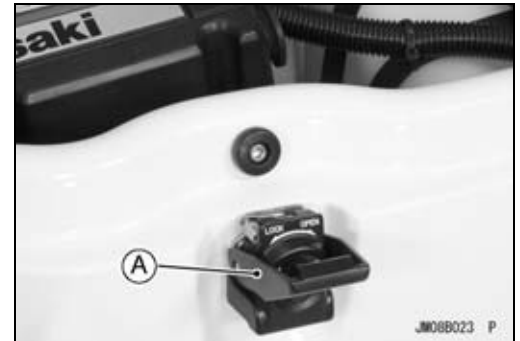
- Open the engine hood.
- Remove the nuts [A] and plate [B] inside.





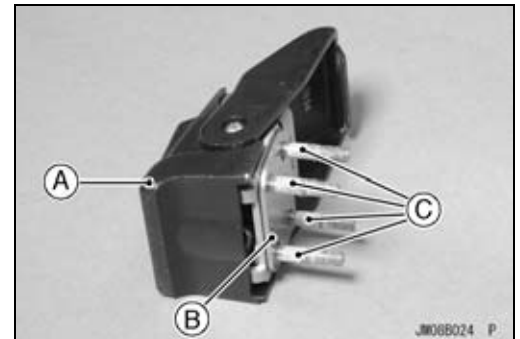
## Engine Hood

- Remove the latch [A] and plate from outside.



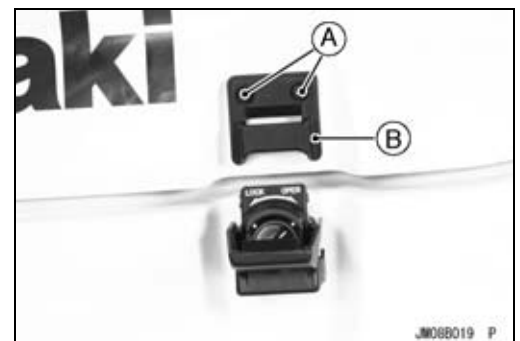
### Latch Installation

- Install the plate [B] to the latch [A].
- Apply a non-permanent locking agent [B] onto the latch's screw and fix it onto the hull.
- Tighten the plate with the mounting nuts from inside.



### Catch Removal

- Unscrew the mounting bolts [A], and remove the catch [B].

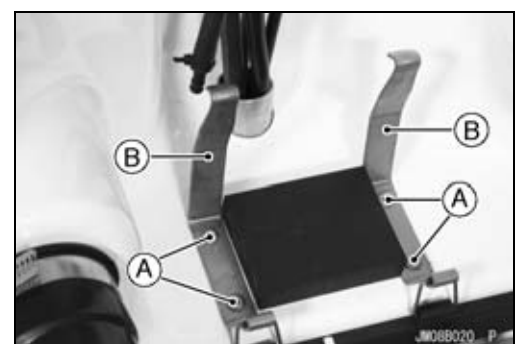


### Catch Installation

- Installation is the reverse of removal.

### Tool Holder Removal

- Open the engine hood (see Engine Removal).
- Undo the band and remove the tool case.
- Drill out the rivets [A] (see Rivet Removal).
- Remove the tool holder [B].



### Tool Holder Installation

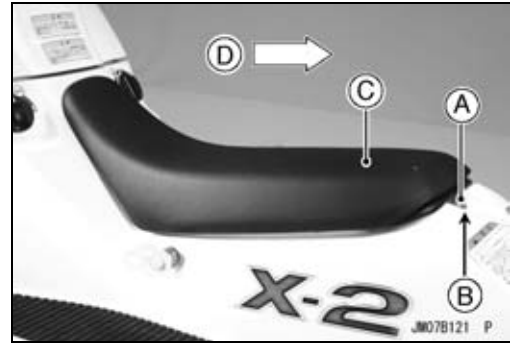
- Secure tools onto the engine hood with rivets (see Rivet Installation).

## 12-10 HULL/ENGINE HOOD

### Fittings

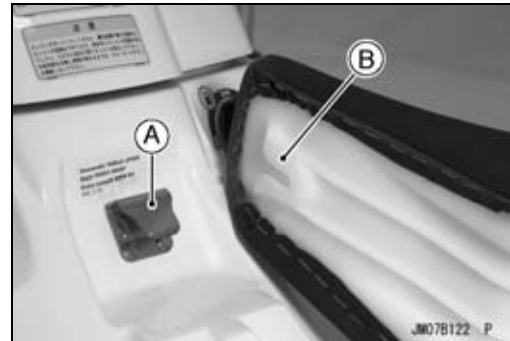
#### *Seat Removal*

- Remove the bolts [A] and washers [B].
- Move the seat [C] backward [D] and remove it.



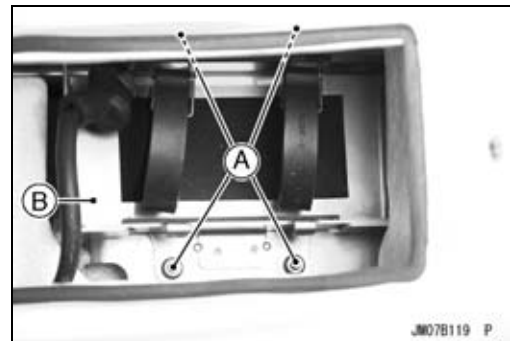
#### *Seat Installation*

- Insert the hook [A] into the hole [B] of the seat.
- Install the washers and bolts.



#### *Battery Bracket Removal*

- Remove the battery (see Electrical System chapter).
- Remove the battery bracket nuts [A] and washer.
- Remove the battery bracket [B].



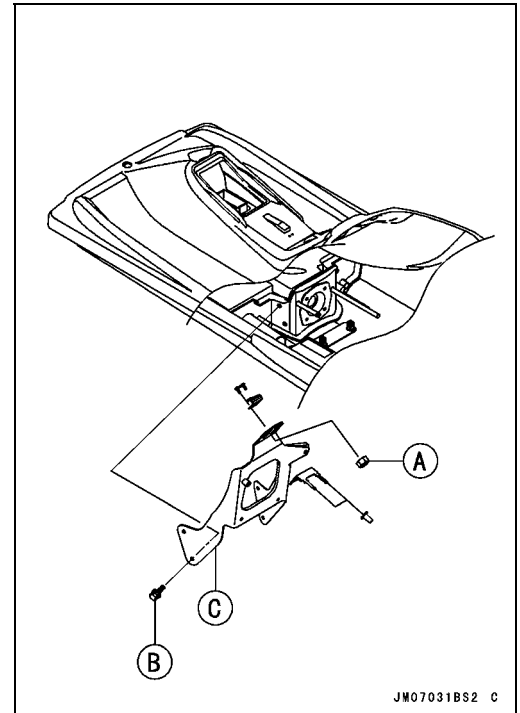
#### *Battery Bracket Installation*

- Installation is the reverse of removal.

**Fittings**

*Electric Case Bracket Removal*

- Remove the electric case (see Electrical System chapter).
- Remove the seat hook nuts [A].
- Unscrew the electric case bracket bolts [B] and remove the electric case bracket [C].

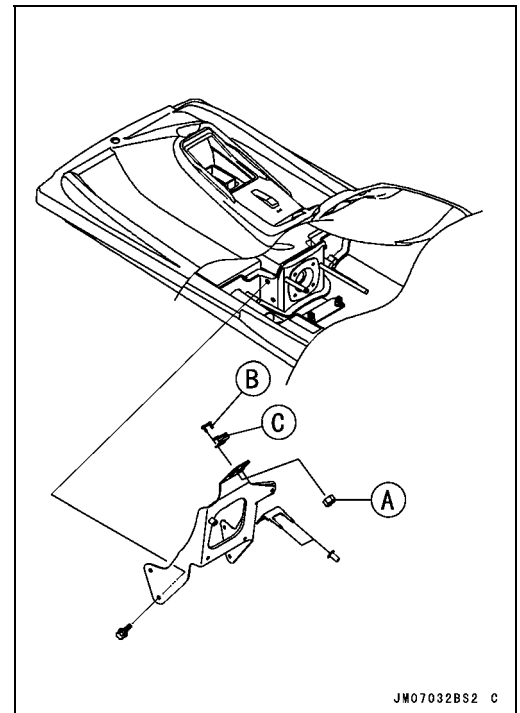


*Electric Case Bracket Installation*

- Apply a non-permanent locking agent to the electric case bracket bolts and tighten them securely.

*Seat Hook Removal*

- Open the engine hood (see Engine Removal).
- Remove:
  - Seat Hook Nuts [A]
  - Plate Bolts [B]
  - Seat Hook [C]



*Seat Hook Installation*

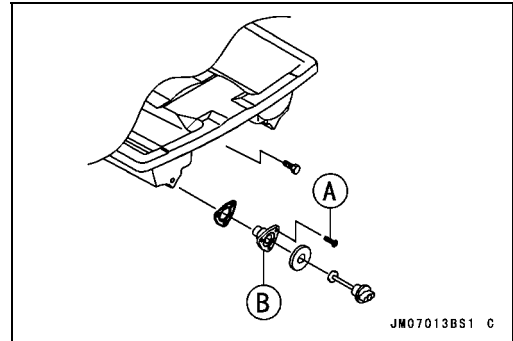
- Installation is the reverse of removal.

## 12-12 HULL/ENGINE HOOD

### Fittings

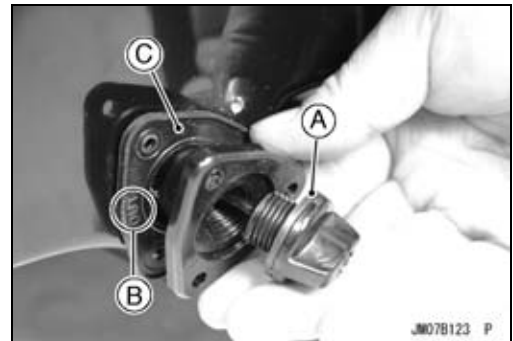
#### Drain Plug Housing Removal

- Unscrew the screws [A] and remove the drain plug housing [B].



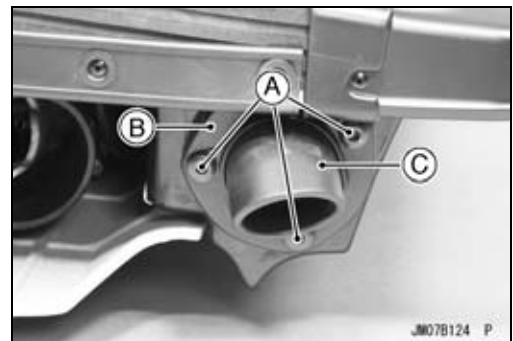
#### Drain Plug Housing Installation

- Check the seals [A] for damage.
- ★ If necessary, replace it with a new one.
- Install the new gasket [C] so that its “OUT” mark [B] faces outwards.



#### Exhaust Outlet Removal

- Unscrew the mounting bolts [A] and remove the holder [B] and exhaust outlet [C].



#### Exhaust Outlet Installation

- Apply a non-permanent locking agent to the mounting bolts and tighten them securely.

#### Rivet Removal

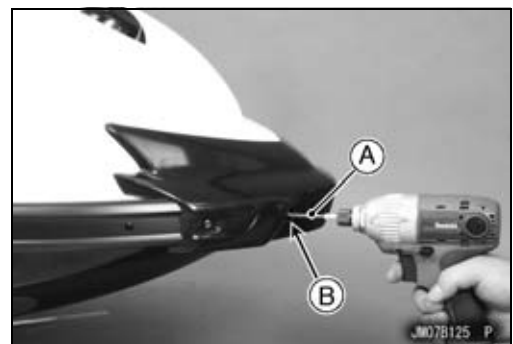
- Drill out the rivet with a drill bit [A] of the correct size.

##### Rivet Removal Drill Bit Size

5.0 mm (0.2 in.)

#### NOTE

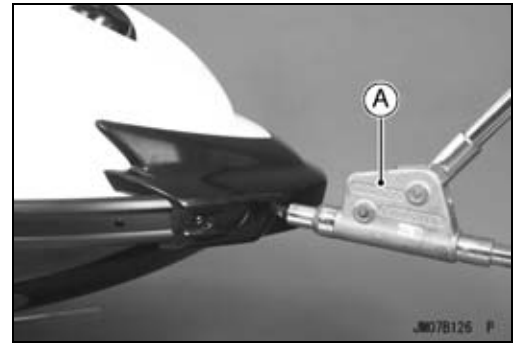
- Stop drilling when the rivet head [B] starts to turn with drill bit.
- Tap the rivet out with a suitable punch and hammer.



**Fittings**

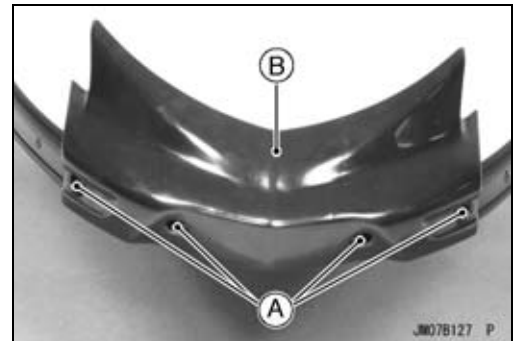
*Rivet Installation*

- Secure the parts to the hull with the rivets using a riveter [A].



*Front Bumper Removal*

- Drill out the rivets [A] (see Rivet Removal).
- Remove the front bumper [B].

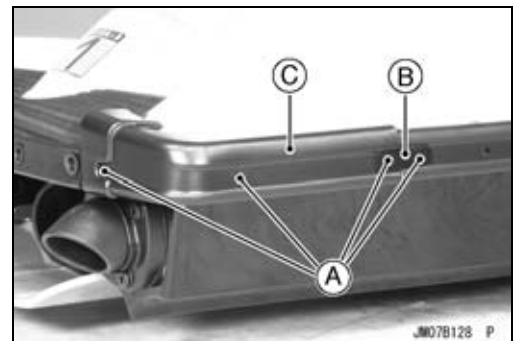


*Front Bumper Installation*

- Secure the front bumper to the hull with the rivets (see Rivet Installation).

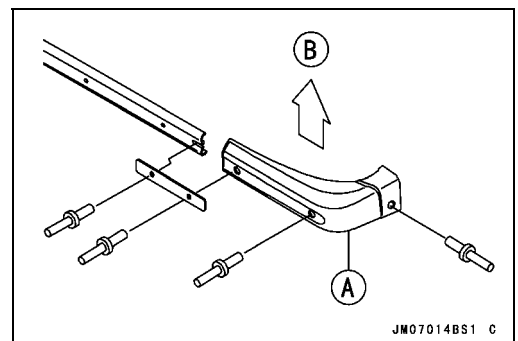
*Corner Bumper Removal*

- Drill out the rivets [A] (see Rivet Removal).
- Remove the plate [B] and the corner bumper [C].



*Corner Bumper Installation*

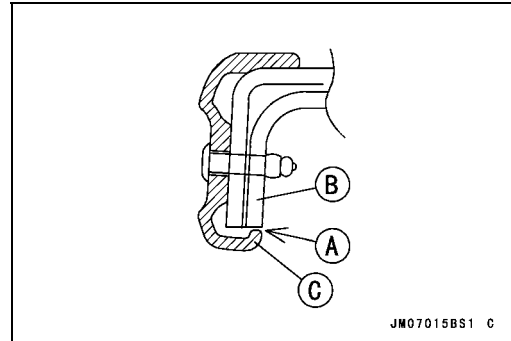
- Secure the corner bumper [A] to the hull with the rivets, pushing up [B] the corner bumper (see Rivet Installation).



## 12-14 HULL/ENGINE HOOD

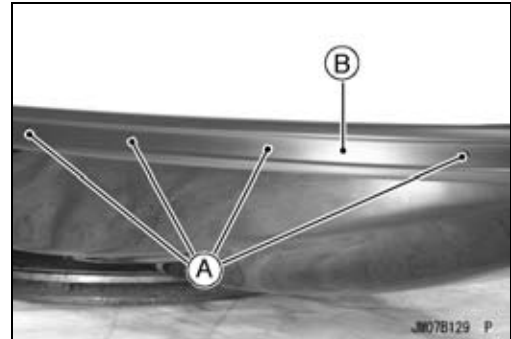
### Fittings

○When installing the corner bumper, the clearance [A] between the flange [B] and the bumper bottom end [C] must be as small as possible.



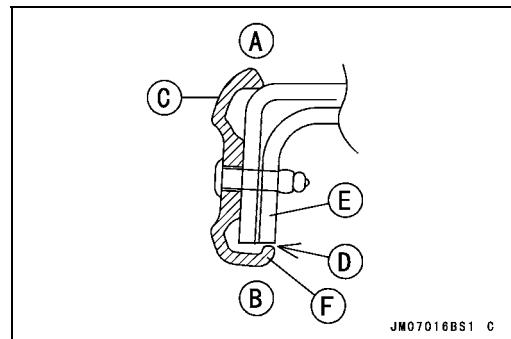
#### Side Bumper Removal

- Remove the front bumper (see Front Bumper Removal).
- Remove the corner bumpers (see Corner Bumper Removal).
- Drill out the pop rivets [A] (see Rivet Removal).
- Remove the side bumper [B].

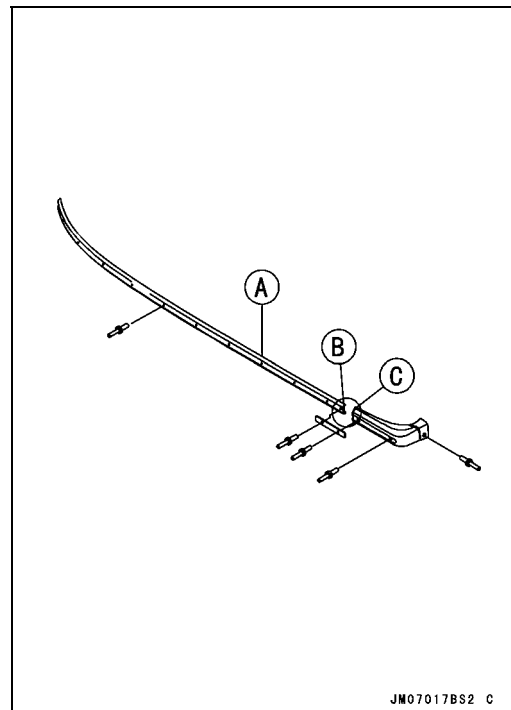


#### Side Bumper Installation

- Note the shape of side bumper.
  - Upper Side [A]
  - Lower Side [B]
- When installing the side bumper [C], the clearance [D] between the flange [E] and bumper bottom end [F] must be as small as possible.



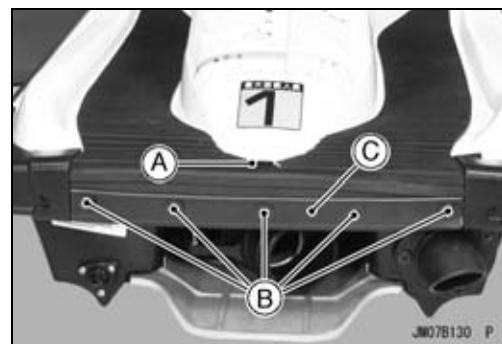
- Install the side bumper [A] from rearward.
- Make sure that the rear end [B] of side bumper touches the front end [C] of corner bumper.
- Secure the side bumper to the hull with the rivets (see Rivet Installation).



### Fittings

#### *Rear Bumper Removal*

- Unscrew the bushing [A] and nut.
- Drill out the rivets [B] and washer (see Rivet Removal).
- Remove the rear bumper [C].



#### *Rear Bumper Installation*

- Secure the rear bumper to the hull with the rivets (see Rivet Installation).

## 12-16 HULL/ENGINE HOOD

---

### Hull Replacement

---

- To replace the hull, remove the various parts in the following suggested order.
  - Battery and Bracket
  - Pump and Hoses
  - Engine Hood and Cables
  - Air Intake Cover
  - Carburetor
  - Exhaust Pipe and Expansion Chamber
  - Electric Case and Bracket
  - Engine and Mounts
  - Fuel Tank
  - Water Box Muffler
  - Drive Shaft and Shaft Holder
  - Control Cables
  - Engine Hood Latch
  - Bilge Breather
  - Bilge and Cooling Hose
  - Fuel Filler Assembly
  - Bypass Hose and Outlet
  - Cable Detents
  - Hose Holder and Bracket
  - Bumpers and Pads
- The following parts cannot be removed from the hull and must be replaced.
  - Decals
  - Labels
  - Mats
- If the new hull is to be painted, do that first. Then install the parts removed in the reverse order of their removal. Finally, install the labels, decals, mats and the registration numbers.



**Rubber Parts**

**NOTE**

○The rubber parts on the watercraft are fastened in place with various adhesives. To replace a rubber part, use a cement in the following table, or an equivalent.

**⚠ WARNING**

Read all warnings and cautions on any solvents and adhesives used. Many of these products are flammable, may be harmful to the skin and eyes, and may give off harmful vapors. Use these solvents and adhesives only in a well-ventilated area and never near an open flame.

For this Application	Type
Mats Water Box Muffler Damper	Synthetic Rubber Adhesive (P/N: 92104-3701)
Engine Hood Gasket Battery Room Gasket Holder Handlebar Grips	Cyanoacrylate cement

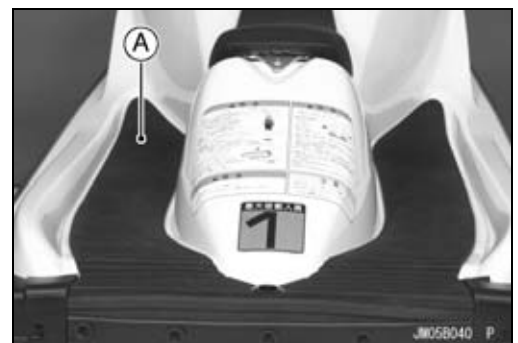
**CAUTION**

Be very careful that the part is positioned correctly when you apply the cement. It may be impossible to reposition the part.

**⚠ WARNING**

Do not get any cyanoacrylate cement in your eyes or on your skin. If you do get some in your eyes, do not try to wash it out. Contact a physician immediately! If you do get some on your fingers, do not touch any other part of your body; your fingers will stick to anything they touch. Allow the cement to cure and it will eventually wear off.

*Rubber Parts Location*  
Deck Floor Mat [A]



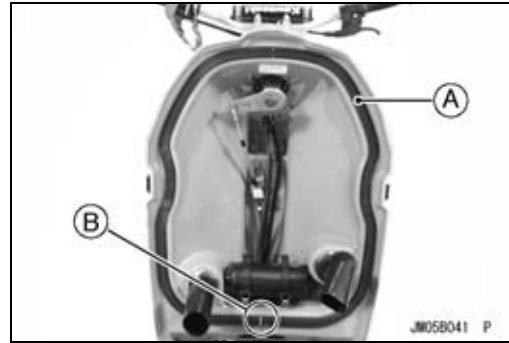
# 12-18 HULL/ENGINE HOOD

## Rubber Parts

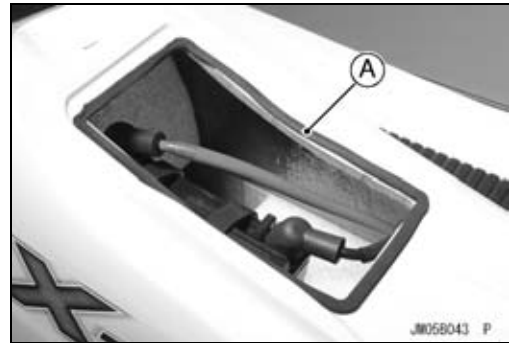
Engine Hood Gasket [A]

**NOTE**

○Joint the both ends of gasket with cyanoacrylate cement at the center [B] of front. Be sure cyanoacrylate cement doesn't come out from bottom of gasket.



Battery Room Gasket [A]



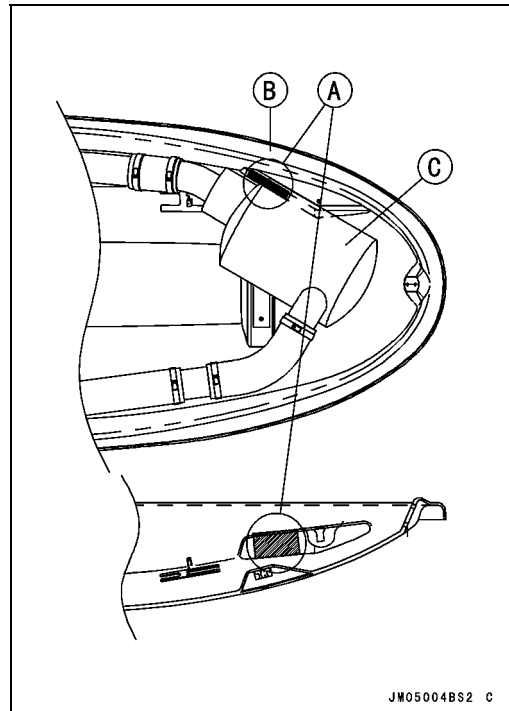
Holder [A]



Water Box Muffler Damper [A]

**NOTE**

○Water box muffler damper [A] protect the hull [B] against the edge of water box muffler [C].



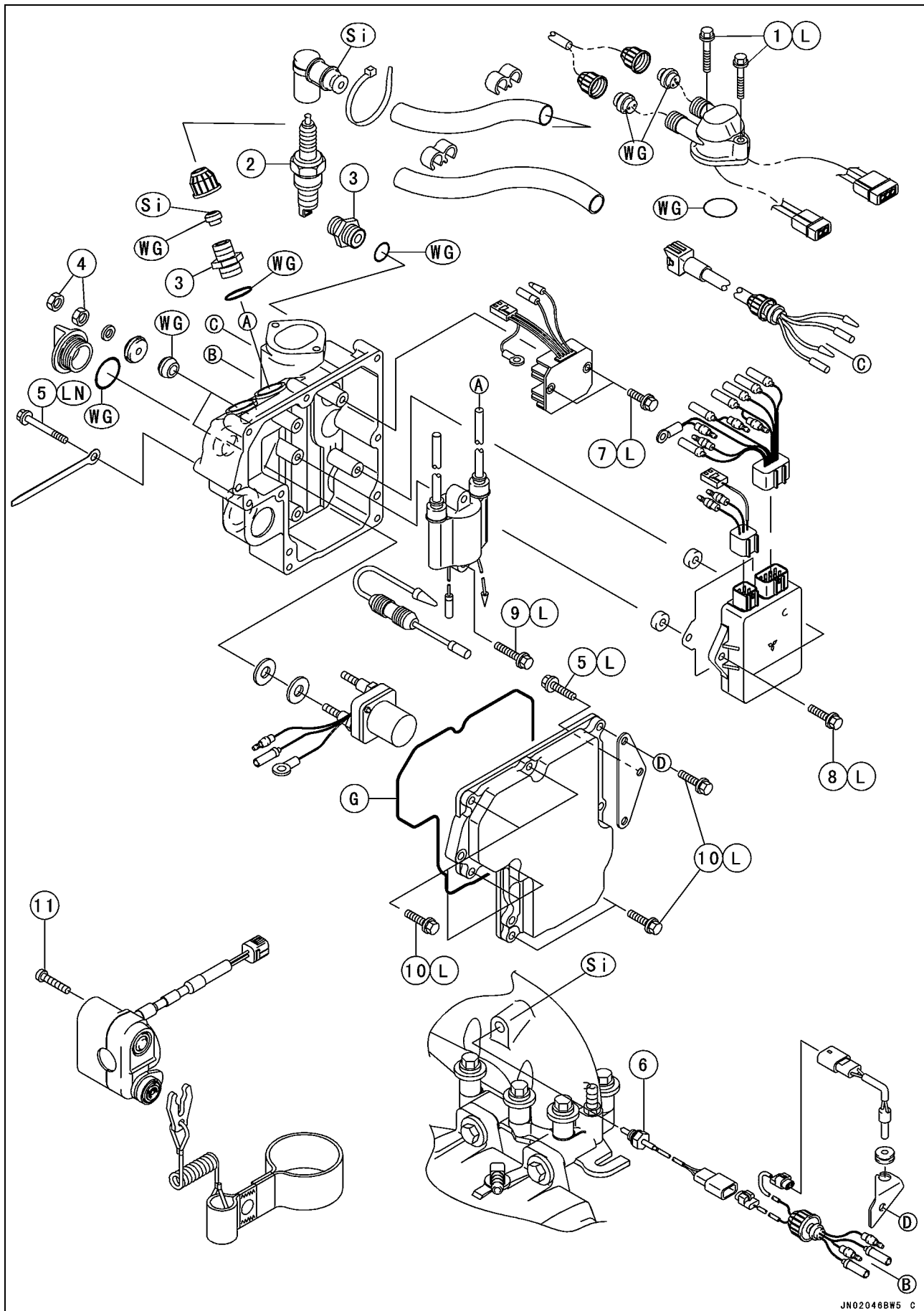
# Electrical System

## Table of Contents

Exploded View .....	13-2	Ignition Coil Removal .....	13-22
Exploded View .....	13-4	Ignition Coil Installation .....	13-23
Specifications .....	13-6	Ignition Coil Inspection .....	13-23
Special Tool .....	13-7	CDI Igniter Removal .....	13-24
Wiring Diagram .....	13-8	CDI Igniter Installation .....	13-24
Battery .....	13-9	Ignition Coil Primary Peak Voltage Inspection .....	13-25
Battery Removal .....	13-9	Crankshaft Sensor Peak Voltage Inspection .....	13-26
Battery Installation .....	13-9	Spark Plug Removal .....	13-26
Battery Management .....	13-9	Spark Plug Installation .....	13-26
Precautions .....	13-11	Spark Plug inspection .....	13-27
Interchange .....	13-12	Spark Plug Adjustment .....	13-27
Charging Condition Inspection .....	13-12	Spark Plug Cleaning .....	13-27
Refreshing Charge .....	13-12	Electric Case .....	13-29
Charging Condition Inspection .....	13-13	Electric Case Removal .....	13-29
Electric Starter System .....	13-14	Electric Case Installation .....	13-29
Reduction Gear Removal/Installa- tion .....	13-14	Electric Case Disassembly .....	13-29
Reduction Gear Inspection .....	13-14	Switches .....	13-32
Starter Motor Removal .....	13-14	Start/Stop Switch Removal .....	13-32
Starter Motor Installation .....	13-14	Start/Stop Switch Installation .....	13-32
Starter Motor Disassembly .....	13-15	Start/Stop Switch Inspection .....	13-33
Starter Motor Assembly .....	13-15	Water Temperature Sensor .....	13-34
Brush Inspection .....	13-16	Water Temperature Sensor Removal .....	13-34
Brush Spring Inspection .....	13-16	Water Temperature Sensor Installation .....	13-34
Commutator Cleaning and Inspection .....	13-16	Water Temperature Sensor Inspection .....	13-35
Armature Inspection .....	13-17	Intake Air Temperature Sensor .....	13-36
Brush Plate Inspection .....	13-17	Inlet Air Temperature Sensor Removal .....	13-36
Brush and Lead Assembly Inspection .....	13-17	Inlet Air Temperature Sensor Installation .....	13-36
Starter Relay Removal .....	13-18	Inlet Air Temperature Sensor Inspection .....	13-36
Starter Relay Installation .....	13-18	Switches .....	13-37
Starter Relay Inspection .....	13-19	Switch Inspection .....	13-37
Charging System .....	13-20	Fuse .....	13-38
Charging System Inspection .....	13-20	Fuse Inspection .....	13-38
Regulator/Rectifier Removal .....	13-20		
Regulator/Rectifier Installation .....	13-21		
Regulator/rectifier Inspection .....	13-21		
Ignition System .....	13-22		
Crankshaft Sensor Inspection .....	13-22		

# 13-2 ELECTRICAL SYSTEM

## Exploded View



## Exploded View

No.	Fastener	Torque			Remarks
		N·m	kgf·m	ft·lb	
1	Electric Case Connector Mounting Bolts	8.8	0.90	78 in·lb	L
2	Spark Plugs	27	2.8	20	
3	Joints	3.9	0.40	35 in·lb	
4	Starter Relay Lead Mounting Nuts	4.4	0.45	39 in·lb	
5	Electric Case Mounting Bolts	8.8	0.90	78 in·lb	LN, L
6	Water Temperature Sensor	15	1.5	20	see text
7	Regulator/Rectifier Mounting Bolts	8.8	0.90	78 in·lb	L
8	CDI Igniter Mounting Bolts	8.8	0.90	78 in·lb	L
9	Ignition Coil Mounting Bolts	8.8	0.90	78 in·lb	L
10	Electric Case Bolts	8.8	0.90	78 in·lb	L
11	Switch Housing Mounting Screws	3.9	0.40	35 in·lb	

G: Apply grease.

L: Apply a non-permanent locking agent.

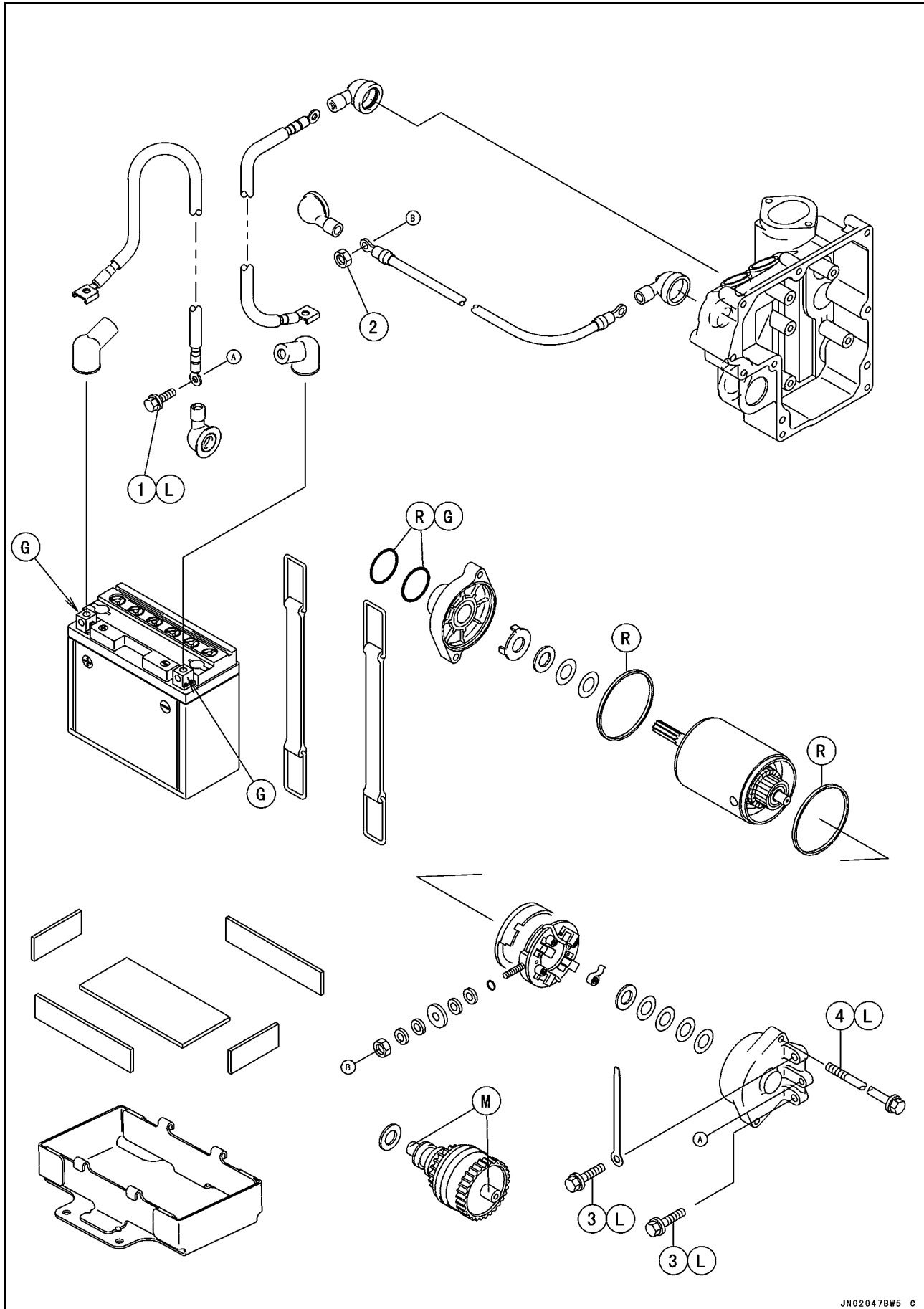
LN: Apply a non-permanent locking agent (High Strength: Loctite 271 Equivalent).

Si: Apply silicone grease. (see text)

WG: Apply water resistance grease.

# 13-4 ELECTRICAL SYSTEM

## Exploded View



**Exploded View**

No.	Fastener	Torque			Remarks
		N·m	kgf·m	ft·lb	
1	Battery Ground Cable Mounting Bolt	8.8	0.90	78 in·lb	L
2	Starter Motor Cable (+) Mounting Nut	7.8	0.80	69 in·lb	
3	Starter Motor Mounting Bolts	8.8	0.90	78 in·lb	L
4	Starter Motor Retaining Bolts	6.3	0.65	56 in·lb	L

G: Apply grease.

L: Apply a non-permanent locking agent.

M: Apply molybdenum disulfided grease.

R: Replacement Parts.

## 13-6 ELECTRICAL SYSTEM

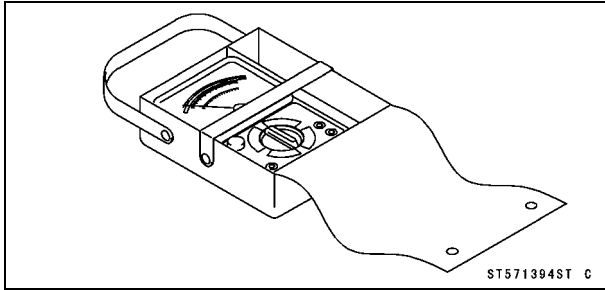
### Specifications

Item	Standard Value	Service Limit
<b>Battery</b>		
Type	12 V 13 Ah, Sealed battery	— — —
<b>Electric Starter System</b>		
Starter Motor:		
Brush Length	12.5 mm (0.49 in.)	6.5 mm (0.26 in.)
Commutator Diameter	28 mm (1.10 in.)	27 mm (1.06 in.)
<b>Charging System</b>		
Regulator/Rectifier Output Voltage	14.0 ~ 15.0 V (Battery voltage)	— — —
Charging Coil Output Voltage	20 V	— — —
Charging Coil Resistance:		
Brown←→Brown	0.7 ~ 1.1 $\Omega$	— — —
Regulator/rectifier Resistance	in the text	— — —
<b>Ignition System</b>		
Ignition Timing	13° BTDC @1 250 rpm (rpm) ~ 20.2° @4 000 rpm (rpm)	— — —
Crankshaft Sensor Resistance	396 ~ 594 $\Omega$	— — —
Ignition Coil:		
3 Needle Arcing Distance	7 mm (0.28 in.) or more	— — —
Primary Winding Resistance	0.08 ~ 0.1 $\Omega$	— — —
Secondary Winding Resistance	3.5 ~ 4.7 k $\Omega$	— — —
Ignition Coil Primary Peak Voltage	150 V or more	— — —
Crankshaft Sensor Peak Voltage	3.0 V or more	— — —
Spark Plugs:		
Type	NGK BR8ES	— — —
Gap	0.7 ~ 0.8 mm (0.028 ~ 0.31 in.)	— — —
<b>Start/Stop Switch</b>		
Start Button:		
Released	$\infty \Omega$	— — —
Depressed	Almost 0 $\Omega$	— — —
Stop Button:		
Released	$\infty \Omega$	— — —
Depressed	Almost 0 $\Omega$	— — —
<b>Water Temperature Sensor</b>		
Temperature Sensor Resistance	in the text	— — —

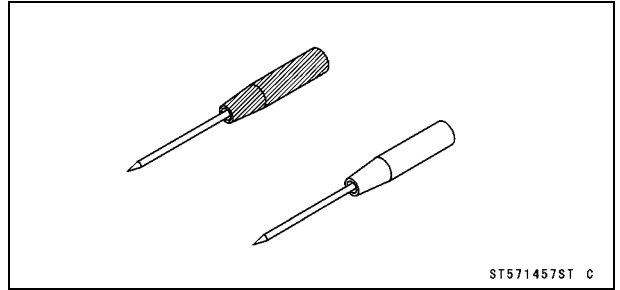


**Special Tool**

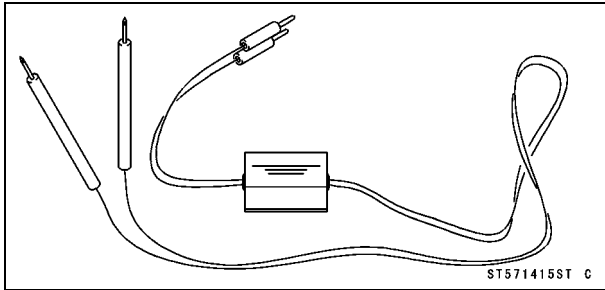
**Hand Tester:  
57001-1394**



**Needle Adapter Set:  
57001-1457**



**Peak Voltage Adapter:  
57001-1415**



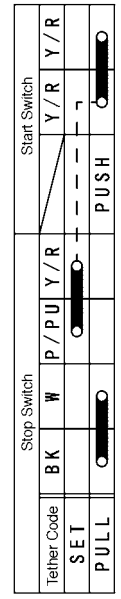
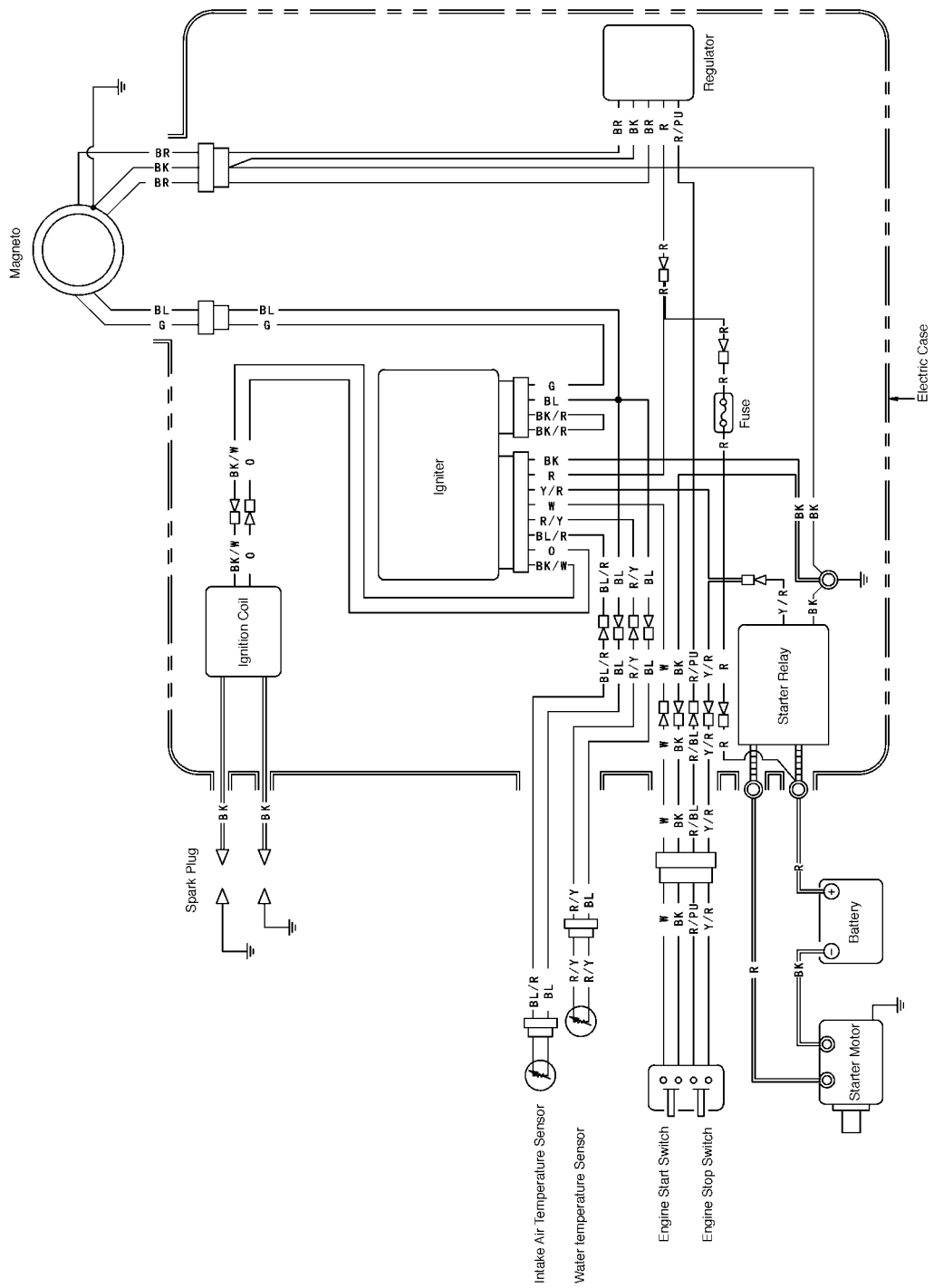
# 13-8 ELECTRICAL SYSTEM

## Wiring Diagram

### JF800-A1

Color Code	
B K	Black
B L	Blue
B R	Brown
G	Green
G Y	Gray
O	Orange
P	Pink
P U	Purple
R	Red
W	White
Y	Yellow

( 9 8 0 5 2 - 3 7 2 2 A )

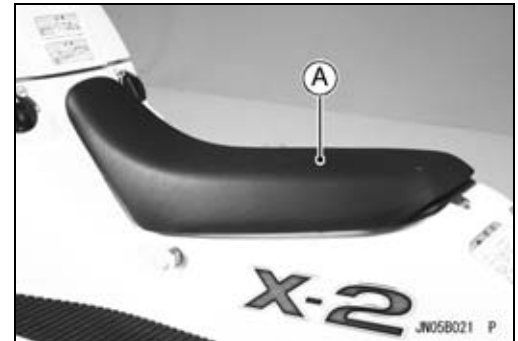


## Battery

### Battery Removal

○Remove:

Seat [A] (see Hull/Engine Hood chapter)

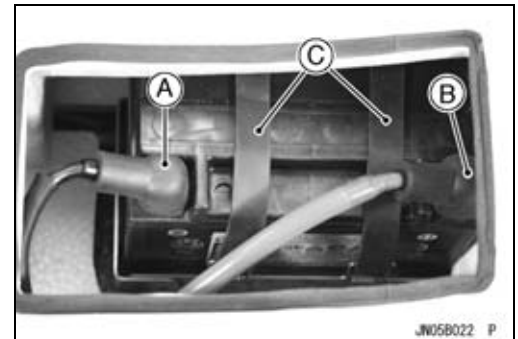


- Disconnect the battery negative (–) cable [A] first, and then the positive (+) cable [B].

### ⚠ WARNING

To prevent possible personal injury and damage to electrical components, always disconnect the negative (–) cable first.

- Unhook the battery straps [C].

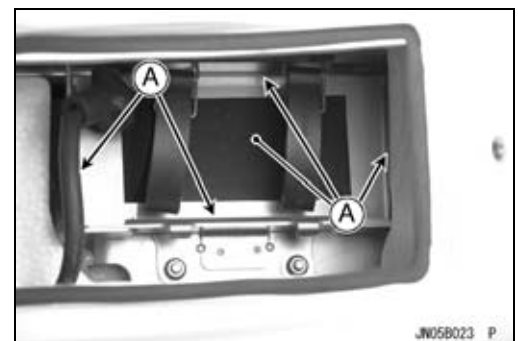


### Battery Installation

- Be sure the battery dampers [A] are in position in the battery compartment.
- Hook the battery straps.
- Connect the battery cables, positive (+) first.
- After attaching both cables, coat the terminals and cable ends with grease to prevent corrosion.
- Slide the protective boot over each terminal.

### ⚠ WARNING

Loose battery cables can create sparks which can cause a fire or explosion resulting in injury or death. Make sure the battery terminal screws are tightened securely and the covers are installed over the terminals.



### CAUTION

Do not reverse the battery connections.

### Battery Management

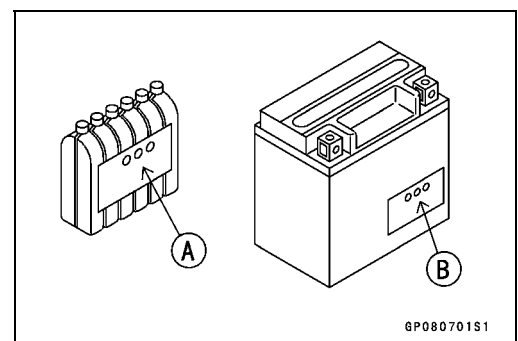
#### Electrolyte Filling

- Make sure that the model name [A] of the electrolyte container matches the model name [B] of the battery. These names must be the same.

**Battery Model Name for JF800-A: YTX15L-BS**

### CAUTION

Be sure to use the electrolyte container with the same model name as the battery since the electrolyte volume and specific gravity vary with the battery type. This is to prevent overfilling of the electrolyte, shorting the battery life, and deterioration of the battery performance.



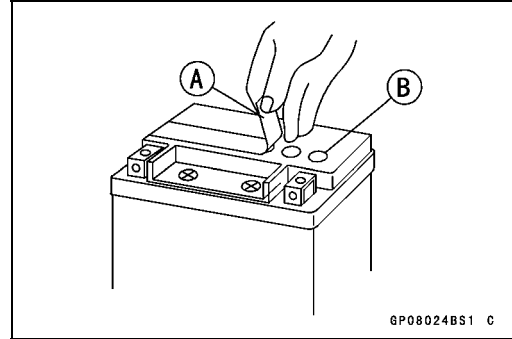
## 13-10 ELECTRICAL SYSTEM

### Battery

- Check to see that there is no peeling, tears or holes in the seal sheet on the top of the battery.
- Place the battery on a level surface.
- Remove the seal sheet [A].

#### CAUTION

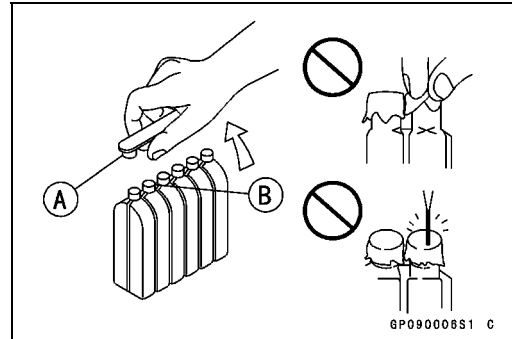
**Do not remove the seal sheet sealing the filler ports [B] until just before use.**



- Take the electrolyte container out of the vinyl bag.
- Detach the strip of cap [A] from the container.

#### NOTE

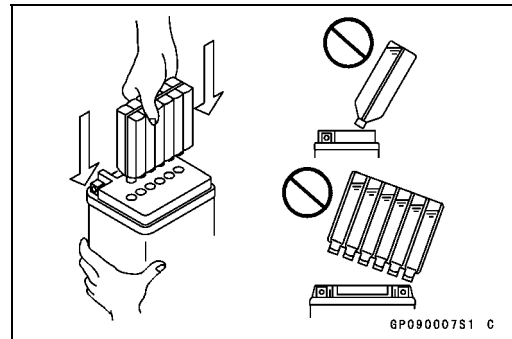
- Do not discard the strip of cap because it is used as the battery plugs later.
- Do not peel back or pierce the seals [B] on the container.



- Place the electrolyte container upside down aligning the six seals with the six battery filler ports.
- Push the container down strongly enough to break the seals. Now the electrolyte should start to flow into the battery.

#### NOTE

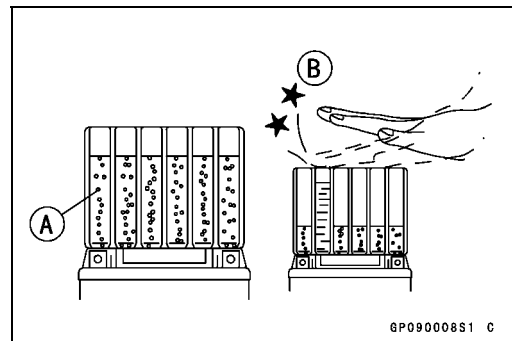
- Do not tilt the container as the electrolyte flow may be interrupted.



- Check the electrolyte flow.
- ★ If no air bubbles [A] are coming up from the filler ports, or if the container cells have not emptied completely, tap the container [B] a few times.
- Keep the container in place for 20 minutes or more. Don't remove the container from the battery until it's empty, the battery requires all the electrolyte from the container for proper operation.

#### CAUTION

**Removal of the container before it is completely empty can shorten the service life of the battery. Do not remove the electrolyte container until it is completely empty and 20 minutes have elapsed.**



- Gently remove the container from the battery.
- Let the battery sit for 60 minutes prior to charging to allow the electrolyte to permeate into the plates for optimum performance.

#### NOTE

- Charging the battery immediately after filling can shorten service life. Let the battery sit for at least 60 minutes after filling.

## Battery

### Initial Charge

- Place the strip [A] of caps loosely over the filler ports.
- Newly activated sealed batteries require an initial charge.

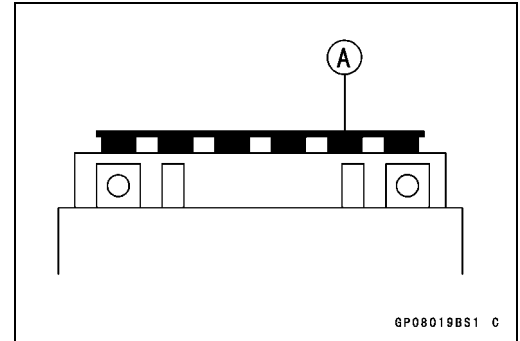
**Standard Charge:**       $1.3 \text{ A} \times 5 \sim 10 \text{ h}$

- ★ If using a recommended battery charger, follow the charger's instructions for newly activated sealed battery.
- ★ Use a battery charger designed for sealed batteries.

### NOTE

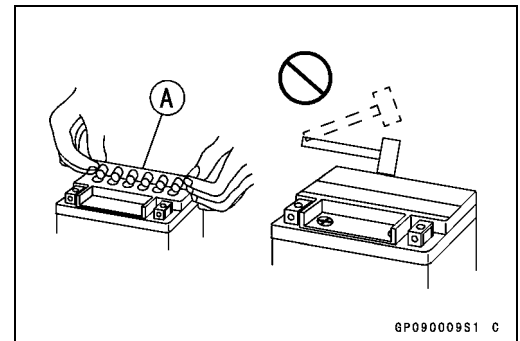
○ Charging rates will vary depending on how long the battery has been stored, temperature, and the type of charger used. Let battery sit 30 minutes after initial charge, then check voltage using a voltmeter. If it is not at least 12.8 volts, repeat charging cycle.

- After charging is completed, press down firmly with both hands to seat the strip of caps [A] into the battery (don't pound or hammer). When properly installed, the strip of the caps will be level with the top of the battery.



### CAUTION

**Once the strip of the caps [A] is installed onto the battery, never remove the caps, nor add water or electrolyte to the battery.**



### NOTE

○ To ensure maximum battery life and customer satisfaction, it is recommended the battery be load tested at three times its amp-hour rating for 15 seconds. Re-check voltage and if less than 12.8 V repeat the charging cycle and load test. If still below 12.8 V the battery is defective.

### Precautions

- 1) No need of topping-up  
No topping-up is necessary in this battery until it ends its life under normal use. Forcibly prying off the seal cap to add water is very dangerous. Never do that.
- 2) Refreshing charge  
If an engine will not start, it indicates the battery has been discharged. Give refresh charge for 5 ~ 10 hours with charge current shown in the specification (see this chapter).  
When a fast charge is inevitably required, do it following precisely the maximum charge current and time conditions indicated on the battery.

### CAUTION

**This battery is designed to sustain no unusual deterioration if refresh-charged according to the method specified above. However, the battery's performance may be reduced noticeably if charged under conditions other than given above. Never remove the seal cap during refresh charge. If by chance an excessive amount of gas is generated due to over-charging, the safety valve operates to keep the battery safe.**

- 3) When you do not use the watercraft for months  
Give a refresh charge before you store the watercraft and store it with the negative lead removed. Give a refresh charge once a month during storage.
- 4) Battery life  
If the battery will not start the engine even after several refresh charges, the battery has exceeded its useful life. Replace it (Provided, however, the watercraft's starting system has no problem).

## 13-12 ELECTRICAL SYSTEM

### Battery

#### **⚠ WARNING**

Keep the battery away from sparks and open flames during charging, since the battery gives off an explosive gas mixture of hydrogen and oxygen. When using a battery charger, connect the battery to the charger before turning on the charger.

This procedure prevents sparks at the battery terminals which could ignite any battery gases.

No fire should be drawn near the battery, or no terminals should have the tightening loosened.

The electrolyte contains sulfuric acid. Be careful not to have it touch your skin or eyes. If touched, wash it off with liberal amount of water. Get medical attention if severe.

#### *Interchange*

A sealed battery can fully display its performance only when combined with a proper watercraft electric system. Therefore, replace a sealed battery only on watercraft which was originally equipped with a sealed battery.

Be careful, if a sealed battery is installed on watercraft which had an ordinary battery as original equipment, the sealed battery's life will be shortened.

#### *Charging Condition Inspection*

○Refer to Battery Charging Condition Inspection in the Periodic Maintenance chapter.

#### *Refreshing Charge*

- Remove the battery [A] (see Battery Removal).
- Refresh-charge by following method according to the battery terminal voltage.

#### **⚠ WARNING**

This battery is sealed type. Never remove the strip of cap [B] even at charging. Never add water. Charge with current and time as stated below.

Terminal Voltage: 11.5 ~ less than 12.8 V

Standard Charge: 1.3 A × 5 ~ 10 h (see following chart)

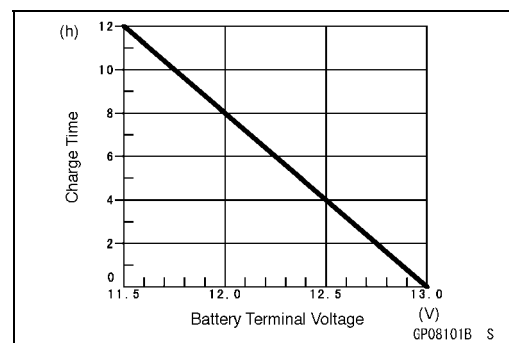
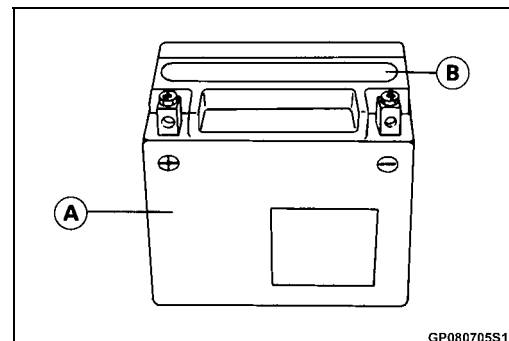
Quick Charge: 6.5 A × 1.0 h

#### **CAUTION**

If possible, do not quick charge. If the quick charge is done due to unavoidable circumstances, do standard charge later on.

Terminal Voltage: less than 11.5 V

Charging Method: 1.3 A × 20 h



## Battery

### NOTE

- Increase the charging voltage to a maximum voltage of 25 V if the battery will not accept current initially. Charge for no more than 5 minutes at the increased voltage then check if the battery is drawing current.
- If the battery will accept current, decrease the voltage and charge by the standard charging method described on the battery case. If the battery will not accept current after 5 minutes, replace the battery.

Battery [A]

Battery Charger [B]

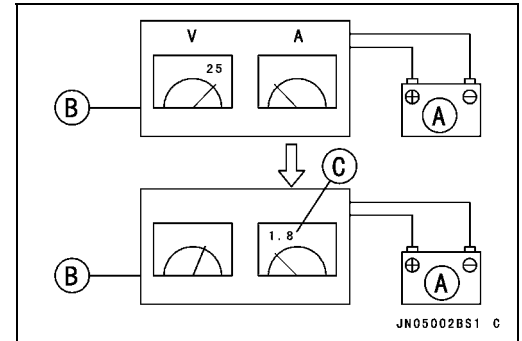
Standard Value [C]

- Check the battery condition after refreshing charge.
- Determine the condition of the battery 30 minutes after completion of the charge by measuring the terminal voltage according to the table below.

Criteria	Judgement
12.8 V or more	Good
12.0 ~ less than 12.8 V	Charge insufficient→Recharge
less than 12.0 V	Unserviceable→Replace

### Charging Condition Inspection

- Refer to Battery in the Periodic Maintenance chapter.

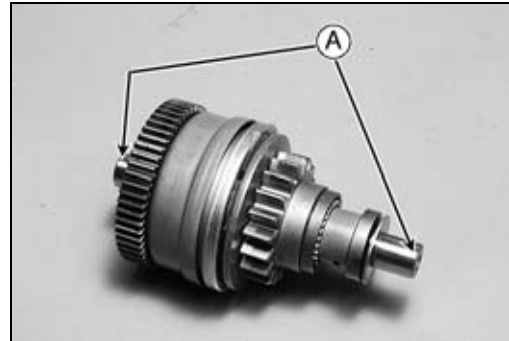


## 13-14 ELECTRICAL SYSTEM

### Electric Starter System

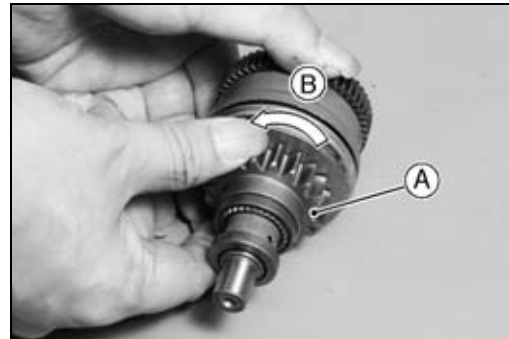
#### Reduction Gear Removal/Installation

- Before removing the reduction gear, remove the magneto flywheel (see Engine Bottom End chapter).
- When installing the reduction gear, apply a molybdenum disulfide grease [A] to both ends of its shaft.

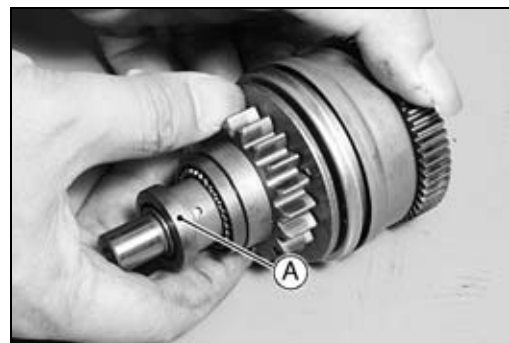


#### Reduction Gear Inspection

- Rotate the pinion gear [A] counterclockwise. The gear must be rotated freely [B].

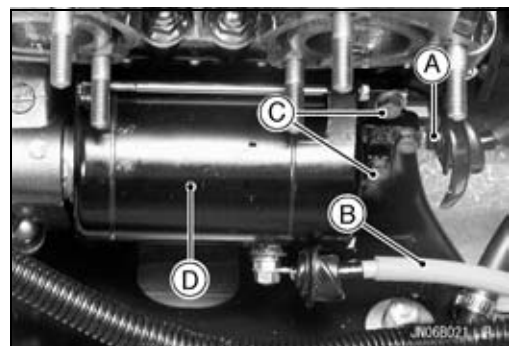


- Rotate the pinion gear clockwise all the way. The pinion gear will be advanced along the reduction gear shaft, and stopped against the stopper [A].
- Release the pinion gear. The pinion gear must return to the initial position rapidly.
- ★ If the pinion gear does not function properly, replace it.



#### Starter Motor Removal

- Remove:
  - Exhaust Manifold (see Fuel System chapter)
  - Battery Ground Cable [A]
  - Starter Motor Cable [B]
- Remove the starter motor mounting bolts [C] and pull out the starter motor [D].



#### CAUTION

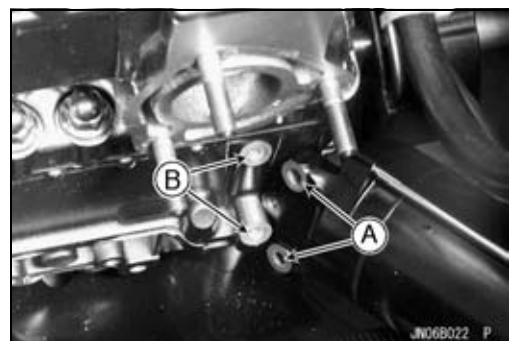
**Do not tap the starter motor shaft or body. Tapping the shaft or body could damage the motor.**

#### Starter Motor Installation

- When installing the starter motor, clean the starter motor legs [A] and crankcase [B] where the starter motor is grounded.
- Apply a small amount of engine oil to the O-ring.
- Apply a non-permanent locking agent to the starter motor mounting bolt and the battery ground cable mounting bolt.
- Connect the battery ground cable.
- Tighten:

**Torque - Starter Motor Mounting Bolts: 8.8 N·m (0.90 kgf·m, 78 in·lb)**

**Battery Ground Cable Mounting Bolt: 8.8 N·m (0.90 kgf·m, 78 in·lb)**





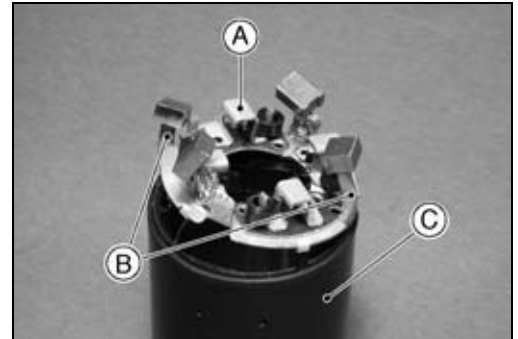
## Electric Starter System

### Starter Motor Disassembly

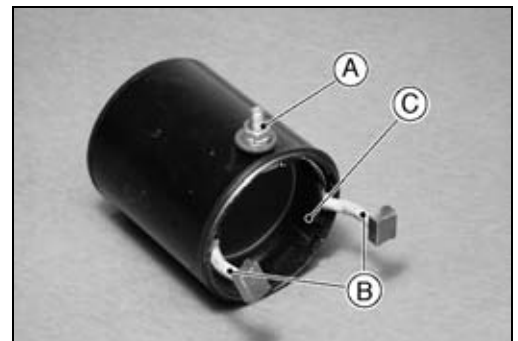
- Unscrew the retaining bolts [A] and remove the both end covers.



- Pull the armature out the pinion gear end.
- Remove the brush plate [A] from the leads [B].  
Yoke [C]



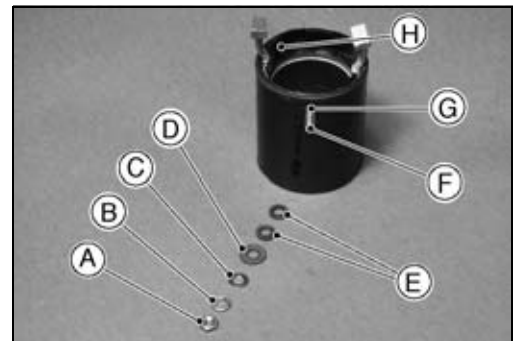
- Remove the nut and terminal bolt [A], and then remove the brush [B] and the plastic holder [C].



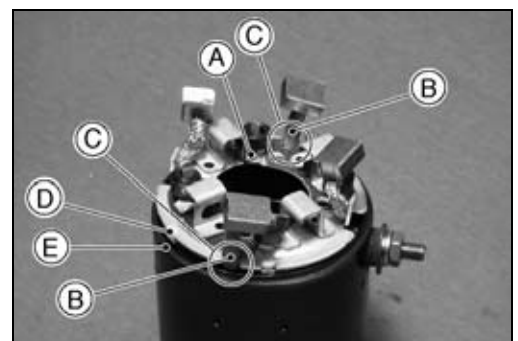
### Starter Motor Assembly

- Install the terminal bolt as shown.

Nut [A]  
Spring Washer [B]  
Washer [C]  
Large Insulator [D]  
Small Insulators [E]  
Terminal Bolt [F]  
O-ring [G]  
Plastic Holder [H]



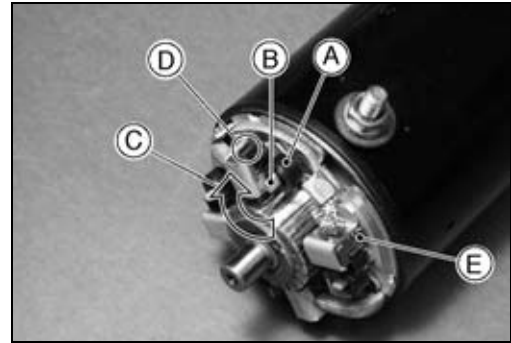
- Install the brush plate as follows.
- Install the brush plate [A] on the yoke fitting and the brush leads [B] into the notches [C] in the plate. Fit the brush plate tongue [D] into the yoke notch [E].



# 13-16 ELECTRICAL SYSTEM

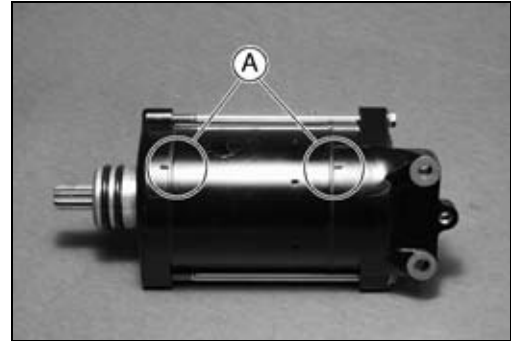
## Electric Starter System

- Insert the armature into the yoke.
- Keeping the motor upright, install the brush spring [A]. Fit the spring on the spring post [B] halfway; the post must be positioned in the D-shaped end of the spring. Turn the other end of the spring a half turn clockwise [C], and fit the end in the brush groove [D]. Push the spring onto the post to the stepped portion.  
Brush [E]



- To install the end covers on the yoke, align [A] the mark on the each end cover with the marks on the yoke.
- Apply a non-permanent locking agent to the starter motor retaining bolts, and tighten them.

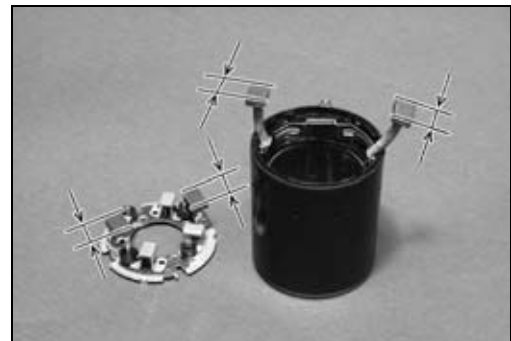
**Torque - Starter Motor Retaining Bolts: 6.3 N·m (0.65 kgf·m, 56 in·lb)**



### Brush Inspection

- Measure the length of each brush.
- ★ If any is worn down to the service limit, replace all the brushes.

**Starter Motor Brush Length**  
**Standard: 12.5 mm (0.49 in.)**  
**Service Limit: 6.5 mm (0.26 in.)**

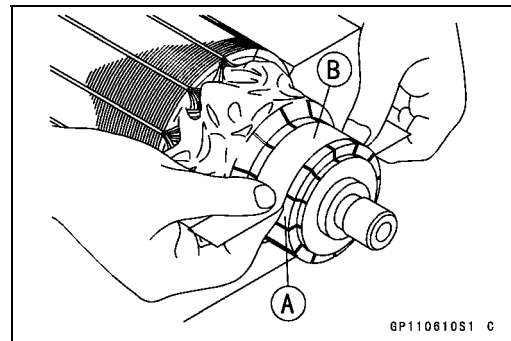


### Brush Spring Inspection

- Check that the brush springs are in place and will snap the brushes firmly into place.
- ★ If not, replace the spring.

### Commutator Cleaning and Inspection

- Smooth the commutator surface [A] if necessary with fine emery cloth [B], and clean out the grooves.



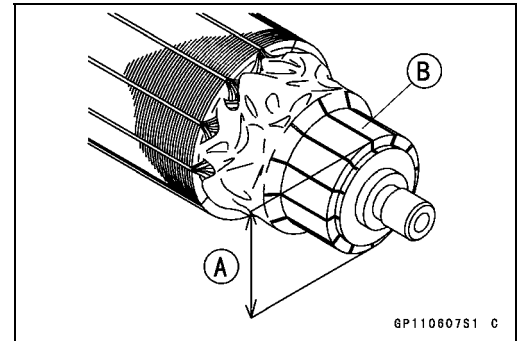
6P110610S1 C

## Electric Starter System

- Measure the diameter [A] of the commutator [B].
- ★ Replace the starter motor with a new one if the commutator diameter is less than the service limit.

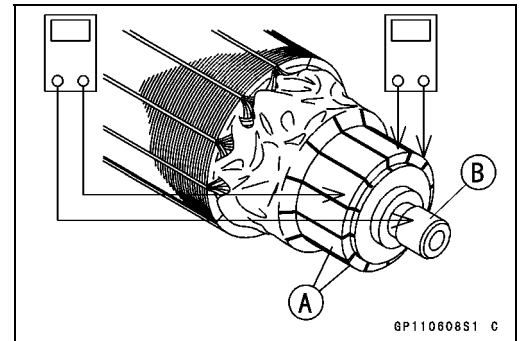
### Commutator Diameter

<b>Standard:</b>	<b>28 mm (1.10 in.)</b>
<b>Service Limit:</b>	<b>27 mm (1.06 in.)</b>



### Armature Inspection

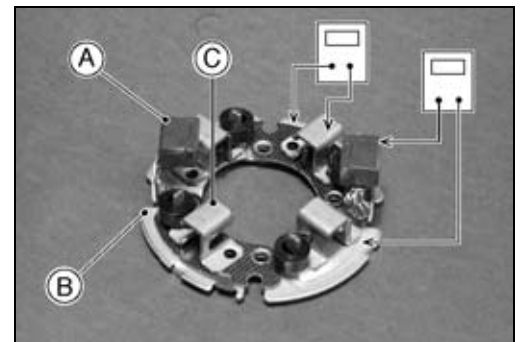
- Using the  $\times 1 \Omega$  hand tester range, measure the resistance between any two commutator segments [A].
- ★ If there is a high resistance or no reading ( $\infty$ ) between any two segments, a winding is open and the starter motor must be replaced.
- Using the highest hand tester range, measure the resistance between the commutator and the shaft [B].
- ★ If there is any reading at all, the armature has a short and the starter motor must be replaced.



Even if the foregoing checks show the armature to be good, it may be defective in some manner not readily detectable with the hand tester. If all other starter motor components and starter motor circuit components check good, but the starter motor still does not turn over or only turns over weakly, replace the starter motor with a new one.

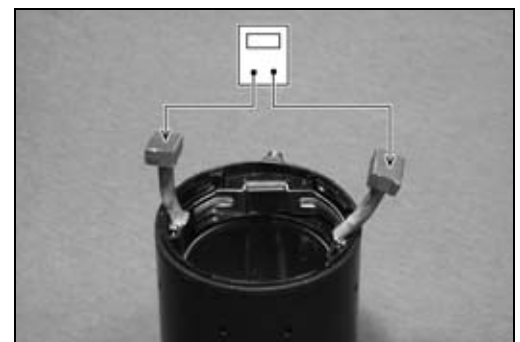
### Brush Plate Inspection

- Using the  $\times 1 \Omega$  hand tester range, measure the resistance between the brush [A] and the brush plate [B].
- ★ If there is not close to zero  $\Omega$ , the brush plate has an open and the brush plate must be replaced.
- Using the  $\times 1 \text{ k}\Omega$  hand tester range, measure the resistance between the brush plate [B] and the brush holders [C].
- ★ If there is any reading at all, the brush holder has a short and the brush plate must be replaced.



### Brush and Lead Assembly Inspection

- Using the  $\times 1 \Omega$  hand tester range, measure the resistance between the brushes.
- ★ If there is high resistance or no reading ( $\infty$ ), a lead is open and the brush and lead assembly must be replaced.



# 13-18 ELECTRICAL SYSTEM

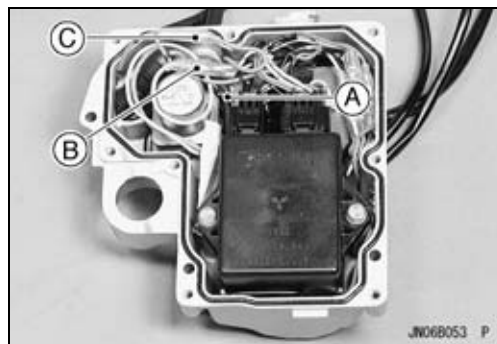
## Electric Starter System

### Starter Relay Removal

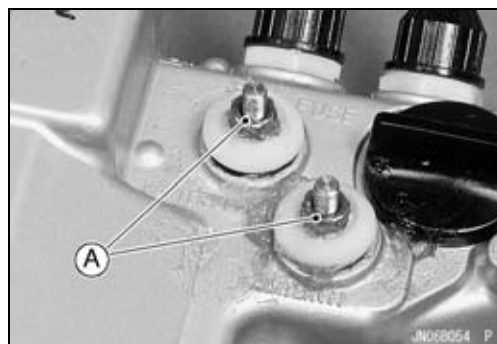
○ Open the electric case (see Electric Case Disassembly).

○ Disconnect:

- Ground Lead [A]
- Y/R Lead [B]
- R Lead [C]



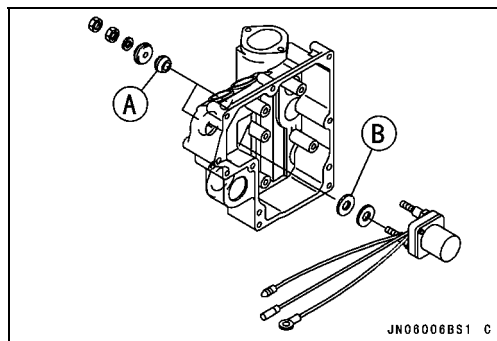
- Remove the nuts [A] from starter terminals on the starter relay.



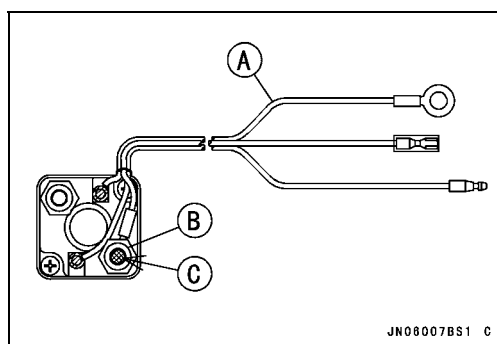
- Slide the starter relay from the electric case being careful not to lose any of the insulating washers or grommets.

### Starter Relay Installation

- Coat the grommets [A] with water resistance grease.
- Be certain all insulating washers [B] and grommets are in position.



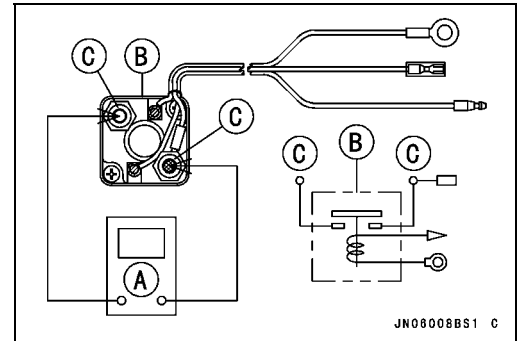
- Connect the ground lead (black) [A] to the ground mounting bolt.
- Connect the battery (+) cable to the terminal [B] having red lead and red color of the thread end [C].



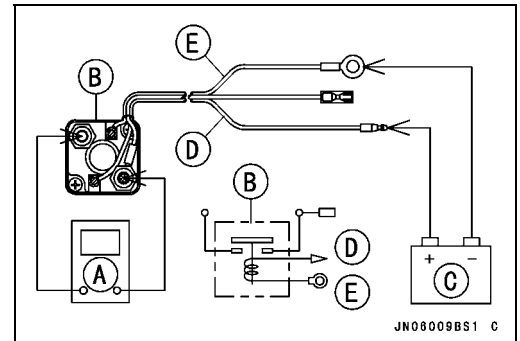
## Electric Starter System

### Starter Relay Inspection

- Set the hand tester [A] to  $\times 1 \Omega$  range.
- **Special Tool - Hand Tester: 57001-1394**
- Connect tester leads to starter relay [B] as shown.  
M6 Terminals [C]
- ★ If resistance is less than infinite, the starter relay must be replaced.



- Set the hand tester [A] to  $\times 1 \Omega$  range.
- **Special Tool - Hand Tester: 57001-1394**
- Connect tester leads to starter relay [B] as shown.
- Activate starter relay by connecting a 12 V battery [C] as shown.  
Y/R Lead [D]  
BK Lead [E]
- ★ If the starter relay clicks and the tester indicates zero resistance, the starter relay is good.
- ★ If the tester indicates high or infinite ( $\infty$ ) resistance, the starter relay is defective and must be replaced.



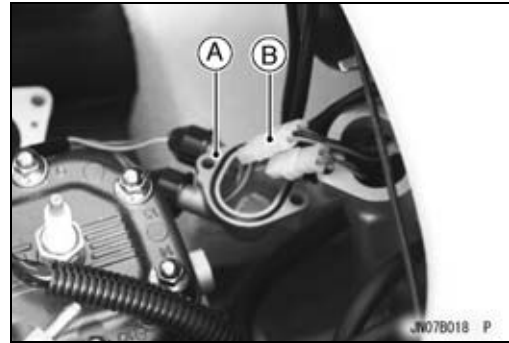
## 13-20 ELECTRICAL SYSTEM

### Charging System

#### Charging System Inspection

○Remove:

- Electric Case Connector [A]
- 3-pin Connector [B]



- With a multimeter, check the charging coil output voltage according to the following table with the engine mounting at 3 000 rpm (r/min).

#### **⚠ WARNING**

**To avoid electrical shock, do not perform this test with the watercraft in the water.**

#### **CAUTION**

**Do not run the engine over 15 seconds without cooling water. Take care not over-rev the engine while running it with no load.**

#### Charging Coil Output Voltage

Meter Range	Connections		Standard Value
	Meter (+)	Meter (-)	
250 V AC	Brown lead	Brown lead	20 V

- ★ If the charging coil output voltage is correct, check the regulator according to the regulator test procedure.
- ★ If the charging coil output voltage is low, check the charging coil resistance with a multimeter according to the following table.

#### Charging Coil Resistance

Meter Range	Connections		Standard Value
	Meter (+)	Meter (-)	
× 1 Ω	Brown lead	Brown lead	0.7 ~ 1.1 Ω

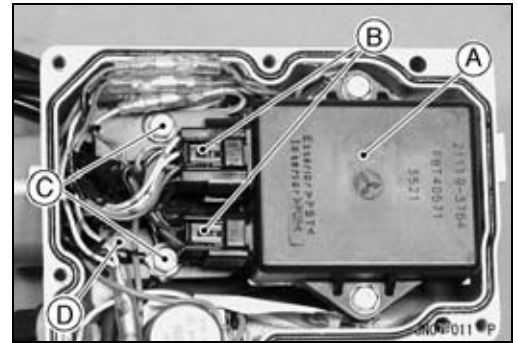
- ★ If the charging coil has normal resistance, but the voltage check shows the charging system to be defective, then the permanent magnets in the flywheel have probably weakened, the flywheel must be replaced.

#### Regulator/Rectifier Removal

- Remove the electric case (see Electric Case Removal) and open the case (see Electric Case Disassemble).

## Charging System

- Remove:
  - CDI Igniter [A]
  - Connectors [B]
  - Regulator/Rectifier Mounting Bolts [C]
  - Regulator/Rectifier [D]
- Disconnect:
  - Regulator/rectifier Lead Connectors

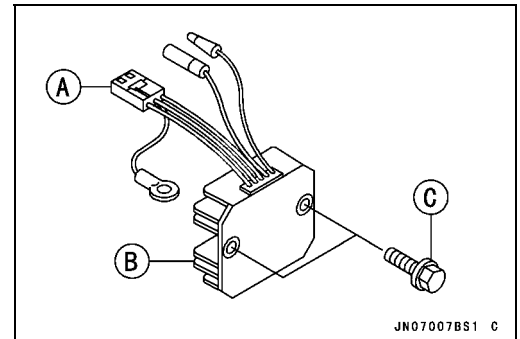


### Regulator/Rectifier Installation

- Run the regulator/rectifier lead connector [A] and CDI igniter lead connector through the electric case hole, before installing the regulator/rectifier [B].
- Apply a non-permanent locking agent to the following bolts, and tighten them.

**Torque - Regulator/Rectifier Mounting Bolts [C]: 8.8 N·m (0.90 kgf·m)**

**Electric Case Bolts: 8.8 N·m (0.90 kgf·m, 78 in·lb)**



### Regulator/rectifier Inspection

- With a multimeter set to the  $\times 1 \text{ k}\Omega$  range, test the regulator/rectifier according the following table.

#### Regulator/rectifier Resistance

	Tester (+) Lead Connection						
	Terminal	Red	Red/Purple	Brown	Brown	Black	Black
(-)*	Red	–	0	18 ~ 110	18 ~ 110	15 ~ 80	15 ~ 80
	Red/Purple	0	–	18 ~ 110	18 ~ 110	15 ~ 80	15 ~ 80
	Brown	1.0 ~ 6.0	1.0 ~ 6.0	–	30 ~ 160	18 ~ 110	18 ~ 110
	Brown	1.0 ~ 6.0	1.0 ~ 6.0	30 ~ 160	–	18 ~ 110	18 ~ 110
	Black	2.0 ~ 12	2.0 ~ 12	1.0 ~ 6.0	1.0 ~ 6.0	–	0
	Black	2.0 ~ 12	2.0 ~ 12	1.0 ~ 6.0	1.0 ~ 6.0	0	–

(-)\*: Tester (-) Lead Connection

★ If any of the values obtained do not agree with the above table, the regulator/rectifier must be replaced.

## 13-22 ELECTRICAL SYSTEM

### Ignition System

#### **⚠ WARNING**

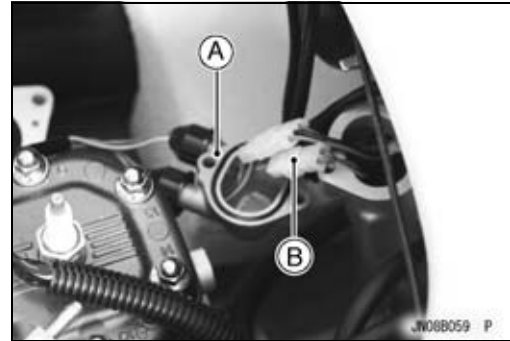
The ignition system produces extremely high voltage. Do not touch the spark plugs, ignition coils, or spark plug leads while the engine is running, or you could receive a severe electrical shock.

#### **CAUTION**

Do not disconnect the battery leads or any other electrical connections when the ignition switch is on, or while the engine is running. This is to protect CDI igniter.

#### *Crankshaft Sensor Inspection*

- Remove the electric case connector [A].
- Disconnect the 2-pin connector [B].



- Set the hand tester to the  $\times 100 \Omega$  range, and connect it to the crankshaft sensor lead terminals (Green and Blue) in the connector.

**Special Tool - Hand Tester: 57001-1394**

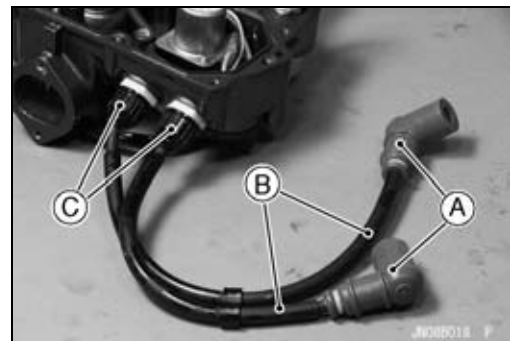
- ★ If there is more resistance than the specified value, the coil must be replaced. Much less than this resistance means the coil is shorted, and must be replaced.

#### **Crankshaft Sensor Resistance**

**Standard: 396 ~ 594  $\Omega$**

#### *Ignition Coil Removal*

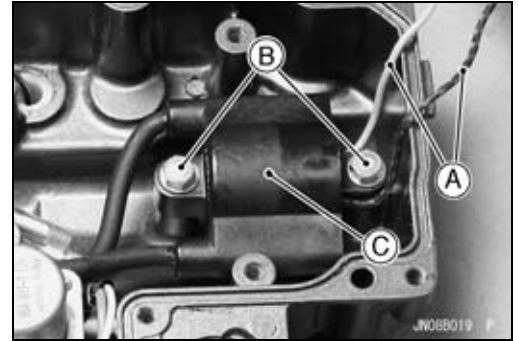
- Open the electric case (see Electric Case Disassembly).
- Pull the spark plug cap [A], and slide off the protector tubes [B].
- Unscrew the grommet caps [C] and slide off the grommets. Lubricate the leads with a penetrating rust inhibitor.





## Ignition System

- Disconnect the ignition coil primary lead connectors [A].
- Unscrew the ignition coil mounting bolts [B] and remove the ignition coil [C].



### Ignition Coil Installation

- Apply a non-permanent locking agent to the ignition coil mounting bolts and tighten them.

**Torque - Ignition Coil Mounting Bolts: 8.8 N·m (0.90 kgf·m, 78 in·lb)**

### Ignition Coil Inspection

Measuring arcing distance:

The most accurate test for determining the condition of the ignition coil is made by measuring arcing distance.

- Remove the ignition coil.
- Connect the ignition coil [A] (with the spark plug cap left installed on the spark plug lead) to the tester [B], and measure the arcing distance.

### **⚠ WARNING**

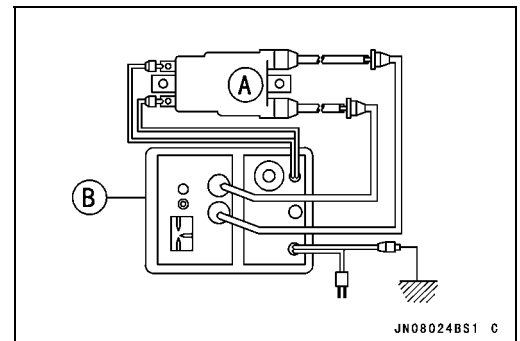
**To avoid extremely high voltage shocks, do not touch the coil or lead.**

- ★ If the distance reading is less than the specified value, the ignition coil or spark plug cap is defective.

#### **3 Needle Arcing Distance**

**Standard: 7 mm (0.28 in.) or more**

- To determine which part is defective, measure the arcing distance again with the spark plug caps removed from the ignition coil.
- ★ If the arcing distance is subnormal as before, the trouble is with the ignition coil itself. If the arcing distance is now normal, the trouble is with the spark plug caps.



## 13-24 ELECTRICAL SYSTEM

### Ignition System

#### Measuring Coil Resistance:

If the coil tester is not available, the coil can be checked for a broken or badly shorted winding with a hand tester. However, a hand tester can not detect layer shorts and shorts resulting from insulation breakdown under high voltage.

- Disconnect the primary leads from the coil terminals.
- Measure the primary winding resistance [A].
- Connect the tester between the coil terminals.
- Set the tester to the  $\times 1 \Omega$  range, and read the tester.
- Measure the secondary winding resistance [B].
- Remove the plug caps by turning them counterclockwise.
- Connect the tester between the spark plug leads.
- Set the tester to the  $\times 100 \Omega$  range, and read the tester.
- ★ If the hand tester does not read as specified, replace the coil.

#### Winding Resistance

**Standard:**            **Primary windings 0.08 ~ 0.1  $\Omega$**   
                              **Secondary windings 3.5 ~ 4.7 k $\Omega$**

- ★ If the tester reads as specified, the ignition coil windings are probably good. However, if the ignition system still does not perform as it should after all other components have been checked, replace the coil with one known to be good.
- Check the spark plug lead for visible damage.
- ★ If the spark plug lead is damaged, replace the coil.

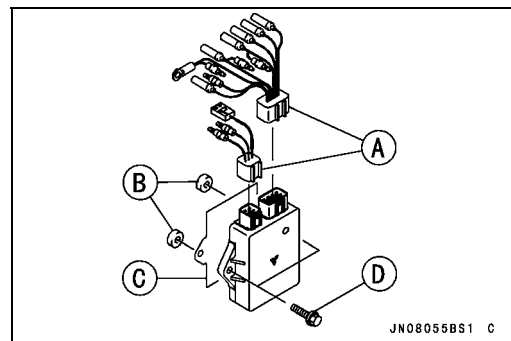
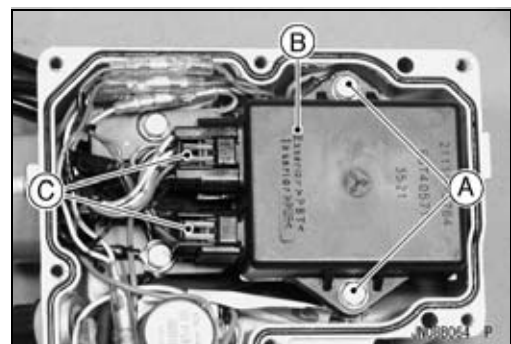
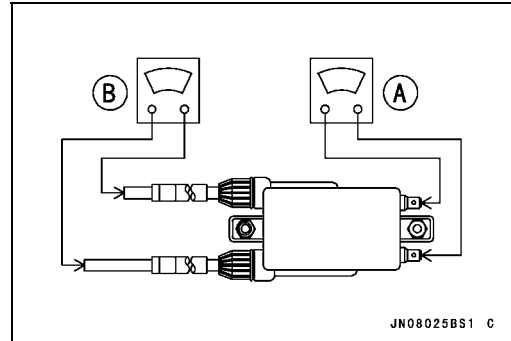
#### CDI Igniter Removal

- Remove the electric case and open the case (see Electrical Case Disassembly).
- Remove:
  - CDI Igniter Mounting Bolts [A]
  - CDI Igniter [B], Plate and Collars
  - Connectors [C]

#### CDI Igniter Installation

- Run the regulator/rectifier lead connector [A] and CDI igniter lead connector through the electric case hole, before installing the regulator/rectifier.
- Install:
  - Collars [B]
  - Plate [C]
  - Bolts [D]
- Apply a non-permanent locking agent to the following bolts, and tighten them.

**Torque - CDI Igniter Mounting Bolts [C]: 8.8 N·m (0.90 kgf·m, 78 in·lb)**  
**Electric Case Bolts: 8.8 N·m (0.90 kgf·m, 78 in·lb)**



## Ignition System

### Ignition Coil Primary Peak Voltage Inspection

**NOTE**

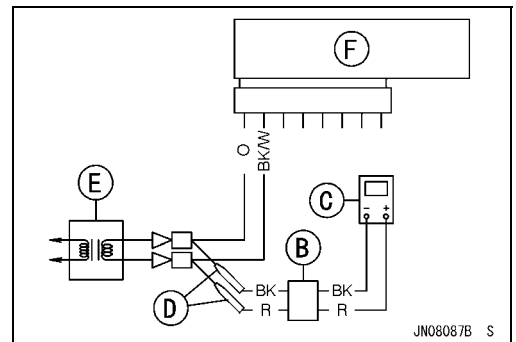
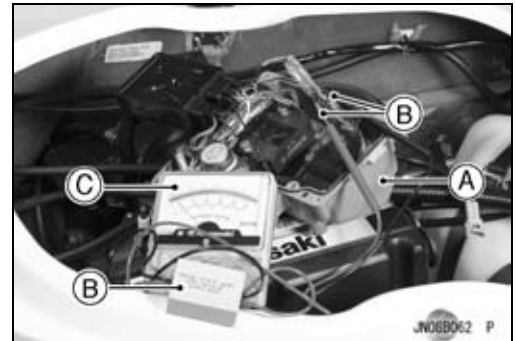
○Be sure the battery is fully charged.

- Remove the electric case [A] and open the case (see Electric Case Disassembly).
- Pull all the spark plug caps from the spark plugs and push the caps fully onto the spark plug cap holder.

**NOTE**

○Maintain the correct value of compression pressure for the cylinder (Be sure to measure the voltage with the spark plug installed to the cylinder head).

- Undo the igniter mounting bolts, remove the plate and collar and turn the igniter inside out.
- Install the peak voltage adapter [B] to the hand tester [C] and needle adapter set [D].
- Connect the adapter between the BK/W and O leads in the ignition coil primary lead connector.  
Ignition Coil [E]  
CDI Igniter [F]



- Special Tools - Hand Tester: 57001-1394**  
**Needle Adapter Set: 57001-1457**  
**Peak Voltage Adapter:57001-1415**  
**Type: KEK-54-9-B**

**Hand Tester Range: 250 V DC**

**Primary Lead Connections**

Ignition Coil	Adapter	Tester
BK/W ↔	R ↔	(+)
O ↔	BK ↔	(-)

**⚠ WARNING**

**To avoid extremely high voltage shocks, do not touch the spark plug leads or tester connections.**

- Push the lanyard key under the stop button.
- Pushing the starter button, crank the engine 4 ~ 5 seconds to measure the primary peak voltage
- Do not operate the starter for longer than 5 seconds. Wait at least 15 seconds before using it again.
- Repeat the measurements 5 or more times.

**Ignition Coil Primary Peak Voltage**

**Standard: 150 V or more**

- ★If the reading is less than the specified value, check the following.  
Ignition Coils (see Ignition Coil Inspection)  
Crankshaft Sensors (see Crankshaft Sensor Inspection)
- ★If the ignition coil and crankshaft sensor are good condition, replace the CDI igniter.

## 13-26 ELECTRICAL SYSTEM

### Ignition System

#### Crankshaft Sensor Peak Voltage Inspection

##### NOTE

○Be sure the battery is fully charged.

- Remove:
  - Electric Case Connector [A]
- Pull all the spark plug caps from the spark plugs and push the caps [B] fully onto the spark plug cap holders.

##### NOTE

○Maintain the correct value of compression pressure for the cylinder (Be sure to measure the voltage with the spark plug installed to the cylinder head).

- Connect a peak voltage adapter [C] to the hand tester [D] and needle adapter set [E].

**Special Tools - Hand Tester: 57001-1394**

**Needle Adapter Set: 57001-1457**

**Peak Voltage Adapter:57001-1415**

**Type: KEK-54-9-B**

**Hand Tester Range: 10 V DC**

- Connect the adapter between the G and BL leads in the crankshaft sensor lead connector.

Crankshaft Sensor		Adapter		Tester
G	↔	BK	↔	(-)
BL	↔	R	↔	(+)

- Push the lanyard key under the stop button.
- Pushing the starter button, crank the engine 4 ~ 5 seconds to measure the crankshaft sensor peak voltage.
- Do not operate the starter for longer than 5 seconds. Wait at least 15 seconds before using it again.
- Repeat the measurements 5 or more times.

##### Crankshaft Sensor Peak Voltage

**Standard: 3.0 V or more**

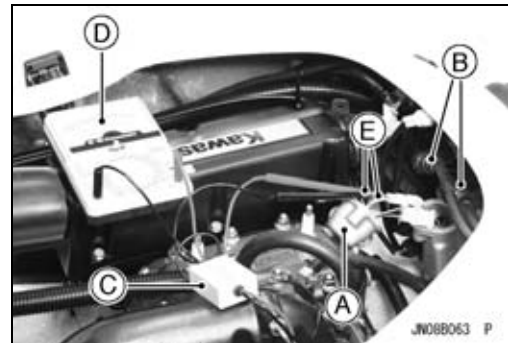
- ★If the reading is less than the specified value, check the crankshaft sensor (see crankshaft sensor Inspection).

#### Spark Plug Removal

- Open the engine hood.
- Pull off the spark plug caps.
- Remove the spark plugs.
- Be careful to avoid breaking the ceramic on the spark plugs.

#### Spark Plug Installation

- Be sure the spark plug threads are clean and dry.
- Tighten:
  - Torque - Spark Plugs: 27 N·m (2.8 kgf·m, 20 ft·lb)**
- Be careful to avoid breaking the ceramic on the spark plugs.

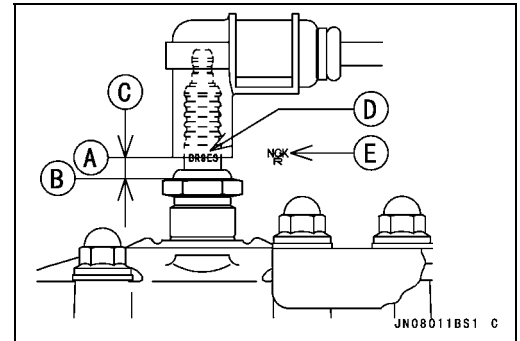


## Ignition System

- Install the spark plug cap onto the spark plug securely.
- Push the cap onto the plug so that the distance between the lower end [A] of the cap and the upper surface of the plug hexagonal nut is 6 mm (0.24 in.) [C].

### NOTE

- For easier correct installation of the spark plug cap, push the cap onto the plug until the figures "BR8ES" [D] printed on the plug are half covered with the cap or the figures "NGK" [E] of "NGK/R" are completely covered.



### Spark Plug inspection

- Refer to the Spark Plug Inspection in the Periodic Maintenance chapter.

### Spark Plug Adjustment

- Refer to the Spark Plug Adjustment in the Periodic Maintenance chapter.

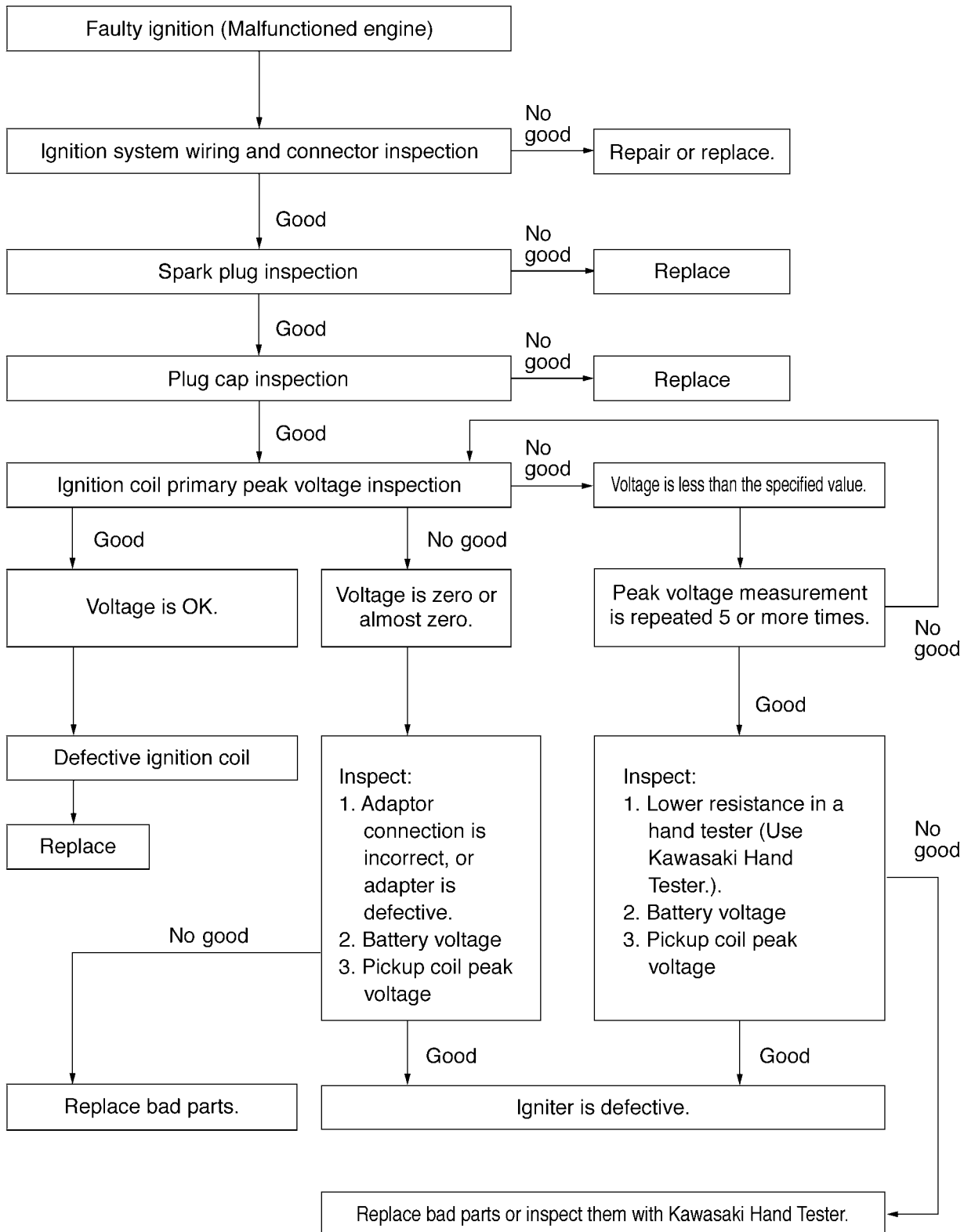
### Spark Plug Cleaning

- Refer to the Spark Plug Cleaning in the Periodic Maintenance chapter.

# 13-28 ELECTRICAL SYSTEM

## Ignition System

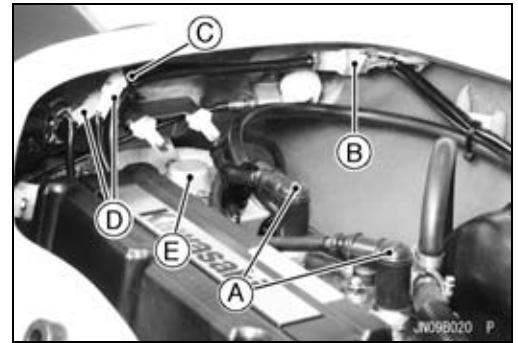
### Ignition System Troubleshooting



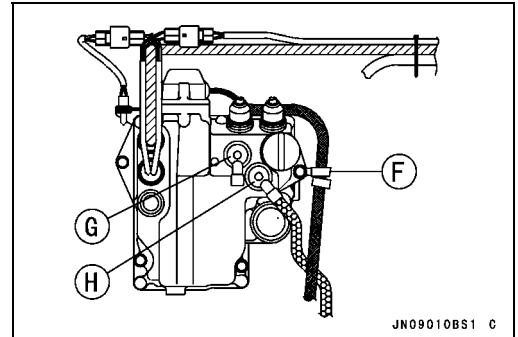
## Electric Case

### Electric Case Removal

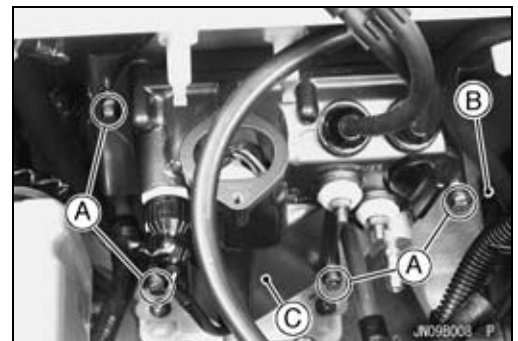
- Remove:
  - Battery Cable (-) (see Battery Removal)
  - Spark Plug Caps [A]
  - Starter and Stop Switch Lead Connector [B]
  - Band [C]
  - Connectors [D]
  - Electric Case Connector [E]
  - 2-pin and 3-pin Connectors



- Remove:
  - Clamp [F]
  - Battery Cable (+) [G]
  - Starter Motor Cable [H]



- Remove:
  - Electric Case Mounting Bolts [A] and Clamp [B]
  - Electric Case [C]



### Electric Case Installation

- Apply water resistance grease to the electric case connector O-ring [A].
- Apply a non-permanent locking agent to the electric case mounting bolts and tighten them.

**Torque - Electric Case Mounting Bolts: 8.8 N·m (0.90 kgf·m, 78 in·lb)**



### Electric Case Disassembly

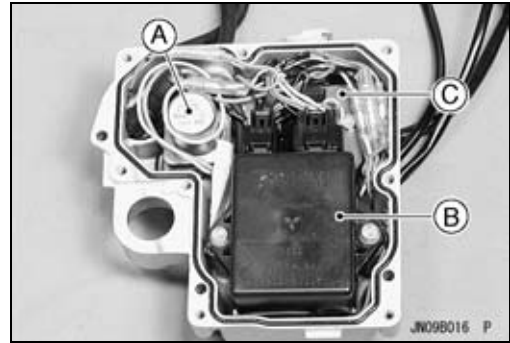
- Remove:
  - Electric Case (see Electric Case Removal)
  - Electric Case Bolts [A]
  - Inlet Air Temperature Sensor [B] and Bracket [C]



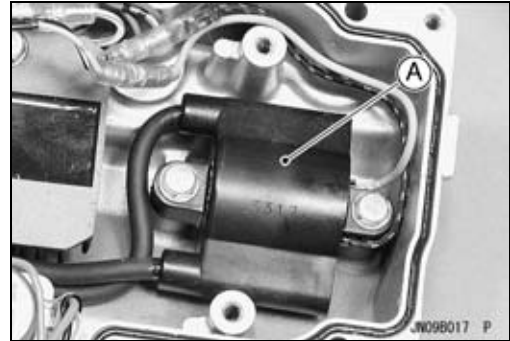
# 13-30 ELECTRICAL SYSTEM

## Electric Case

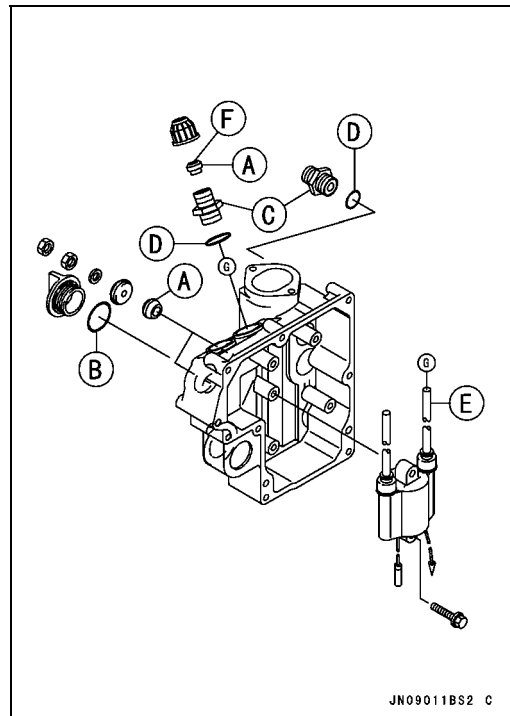
- Open the electric case.
- Remove:
  - Starter Relay [A]
  - CDI Igniter [B]
  - Regulator/Rectifier [C]



- Remove:
  - Ignition Coil [A]



- Apply water resistance grease to the grommets [A] and O-ring [B].
- When installing the joints [C], apply water resistance grease to the O-ring [D] and tighten it.  
**Torque - Joints: 3.9 N·m (0.40 kgf·m, 0.35 in·lb)**
- When inserting the spark plug leads [E] of ignition coil into the grommets, apply silicone grease to the inside [F] of the grommets.





## Electric Case

- Run the lead connectors [A] of the igniter and regulator/rectifier through the electric case hole, before installing the regulator/rectifier.
- Connect the ground lead (black) terminals of the regulator/rectifier, igniter and starter relay to the regulator/rectifier mounting bolt [B].
- Install:
  - Ignition Coil [C] (see Ignition Coil Installation)
  - Regulator/Rectifier [D] (see Regulator/Rectifier Installation)
  - CDI Igniter [E] (see CDI Igniter Installation)
  - Starter Relay [F] (see Starter Relay Installation)
  - Water Temperature Sensor [G] (see Water Temperature Sensor Installation)
  - Fuse Assembly [H]
- Apply a non-permanent locking agent to the following bolts, and tighten them.

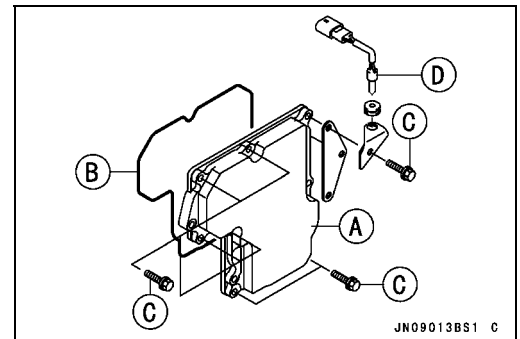
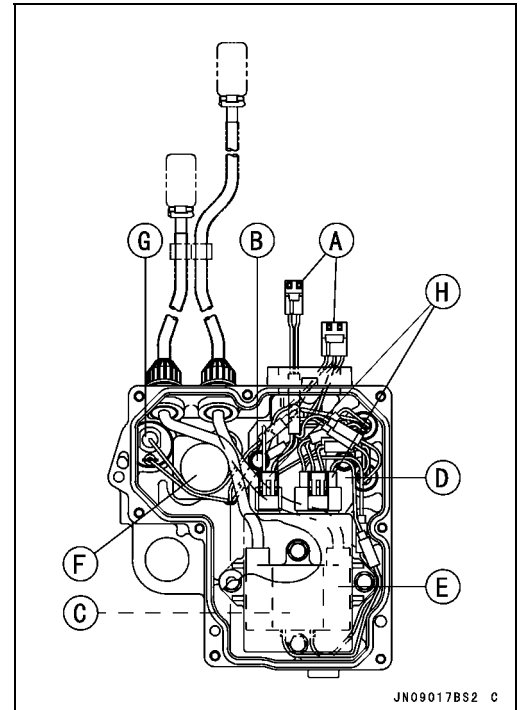
**Torque - Regulator/Rectifier Mounting Bolts: 8.8 N·m (0.90 kgf·m, 78 in·lb)**

**CDI Igniter Mounting Bolts: 8.8 N·m (0.90 kgf·m, 78 in·lb)**

**Ignition Coil Mounting Bolts: 8.8 N·m (0.90 kgf·m, 78 in·lb)**

- When assembling the electric case [A], be careful not to pinch leads between electric cases. At this time, apply grease to the O-ring [B] to assemble easily.
- Apply a non-permanent locking agent to the following bolts and tighten them with inlet air temperature sensor [D] bracket.

**Torque - Electric Case Bolts [C]: 8.8 N·m (0.90 kgf·m, 78 in·lb)**

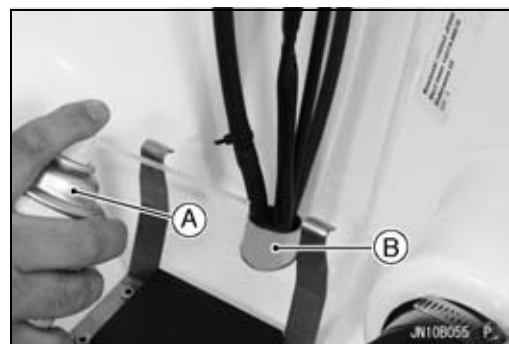
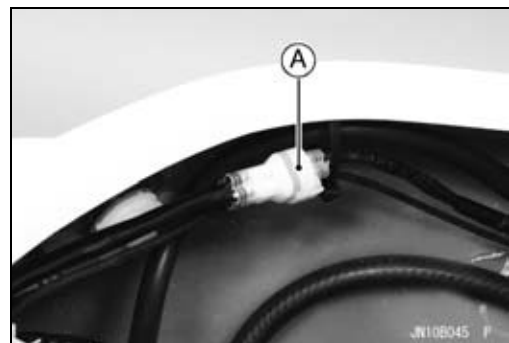
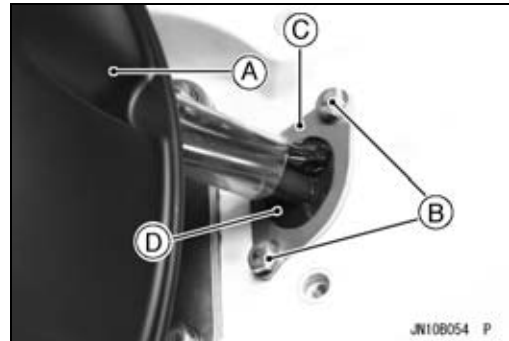
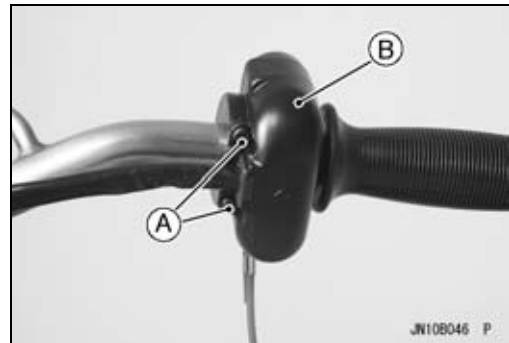


## 13-32 ELECTRICAL SYSTEM

### Switches

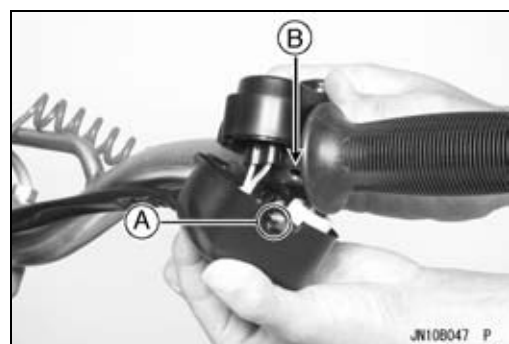
#### Start/Stop Switch Removal

- Remove:
  - Switch Case Mounting Screws [A]
  - Switch Case [B]
- Unscrew the steering cover mounting bolts and lift the steering cover [A].
- Remove the grommet mounting bolts [B], the plate [C] and the grommet [D].
- Remove:
  - Open the engine hood (see Hull/Engine Hood chapter).
  - Start/Stop Switch Lead Connector [A]
- Carefully pull the start/stop switch lead up through the pipe.
- If it is hard to pull it off, lubricate the cable passage [B] of the pipe with a penetrating rust inhibitor [A].



#### Start/Stop Switch Installation

- The switch case has an indexing dowel [A].
- Position the dowel in the handlebar hole [B].
- Be sure that the handlebar moves smoothly without sticking.



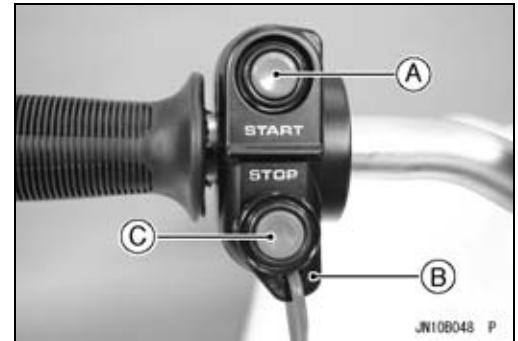
## Switches

### Start/Stop Switch Inspection

- Examine the start/stop switch case and wiring.
- ★ If the switch case is broken or damaged in any way, replace the switch assembly.
- ★ If the wiring is damaged, repair it or replace the switch assembly.
- Test the start switch [A].
- Push the lanyard key [B] under the stop switch [C].
- Set the hand tester to the  $\times 1 \Omega$  range.

**Special Tool - Hand Tester: 57001-1394**

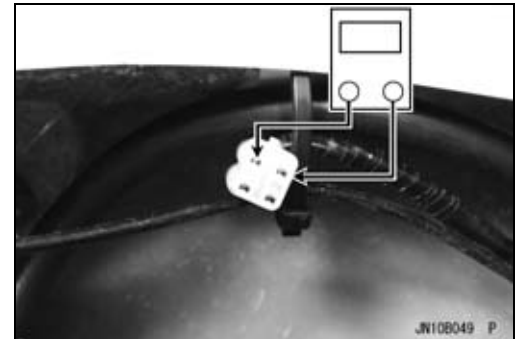
- Connect the tester leads to the red/purple and yellow/red start switch leads.
- Check switch resistance with the stop button released.



### Start Switch Resistance

Start Button	Reading
Released	$\infty \Omega$
Depressed	Almost $0 \Omega$

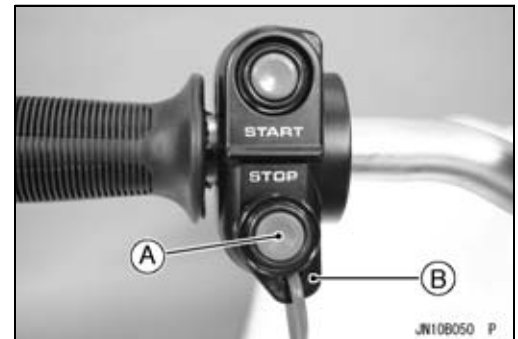
- ★ If either meter reading is incorrect, replace the start/stop switch.



- Test the stop switch [A].
- Push the lanyard key [B] under the stop switch.
- Set the hand tester to the  $\times 1 \Omega$  range.

**Special Tool - Hand Tester: 57001-1394**

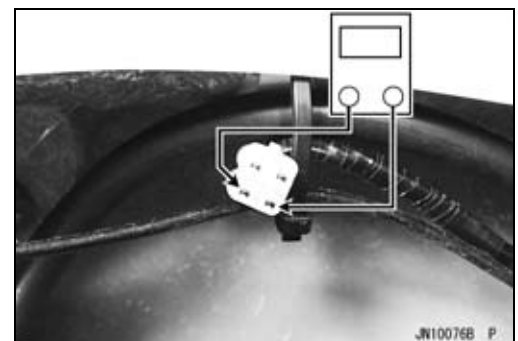
- Connect the tester leads to the black and white stop switch leads.
- Check switch resistance with the stop button released, and with the stop button depressed.



### Stop Switch Resistance

Stop Button	Reading
Released	$\infty \Omega$
Depressed	Almost $0 \Omega$

- ★ If either meter reading is incorrect, replace the start/stop switch.
- If the meter reading is not  $0\Omega$ , with Lanyard key not pushed under stop button, replace the start/stop switch.



## 13-34 ELECTRICAL SYSTEM

### Water Temperature Sensor

A water temperature sensor is installed on the exhaust Pipe. Whenever the cooling water temperature rises to 100°C (212°F) or higher, the contacts in the water temperature sensor does and the igniter works to cut spark intermittently. The engine speed decreases to 3 500 rpm.

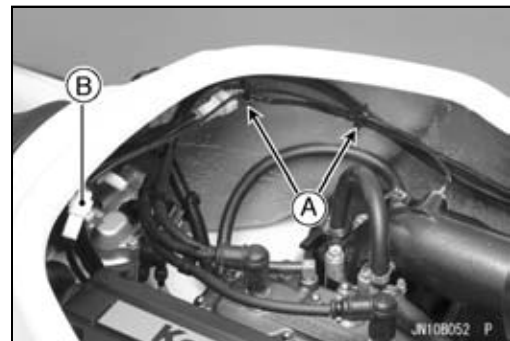
If the watercraft slows down even with the throttle on and the engine running, return to shore immediately and check the cooling system for clogging.

#### CAUTION

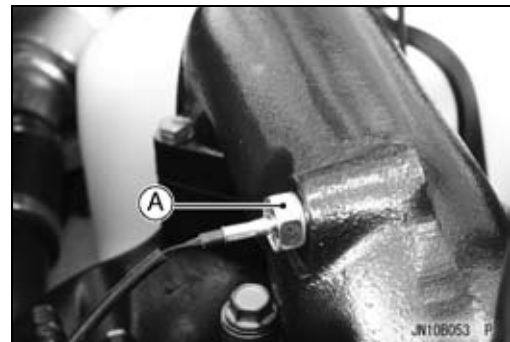
**If the watercraft slows down while running, return to the shore immediately. Overheating will cause severe engine and exhaust system damage. Do not operate the craft until the source of the problem is found and correct.**

#### Water Temperature Sensor Removal

- Remove:
  - Band [A]
  - Water Temperature Sensor Connector [B]

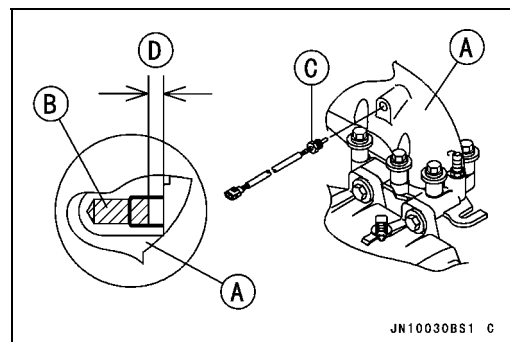


- Remove the water temperature sensor [A].



#### Water Temperature Sensor Installation

- Remove:
  - Expansion Chamber (see Expansion Chamber Removal)
- Fill the hollow of the expansion pip [A] with the specified silicone grease [B] before installing the water temperature sensor [C].
  - 5 mm [D]
  - Specified Silicone Grease:92137-1002
- Tighten:
  - Torque - Water Temperature Sensor: 15 N·m (1.5 kgf·m, 11 ft·lb)**



## Water Temperature Sensor

### Water Temperature Sensor Inspection

- Remove the water temperature sensor (see Water Temperature Sensor Removal).
- Suspend the sensor [A] in a container of water so that the temperature sensing protection is submerged.
- Suspend a thermometer [B] in the water.

#### NOTE

○ The sensor and thermometer must not touch the container side or bottom.

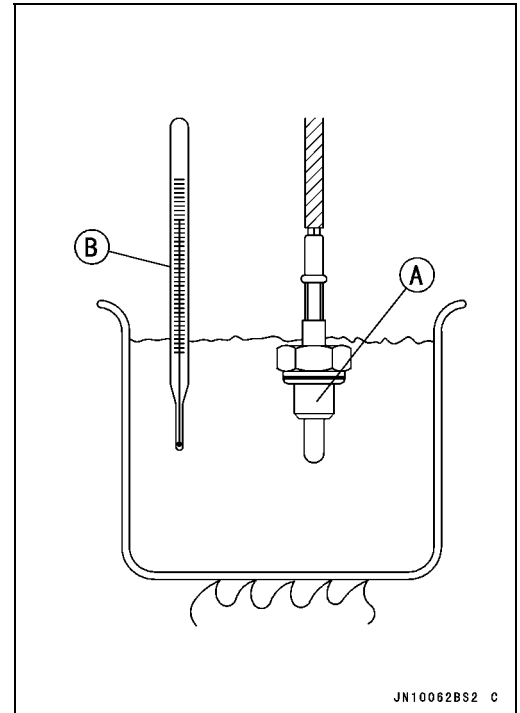
- Place the container over a source of heat and gradually rise the temperature of the water while stirring the water gently.
- Using the hand tester, measure the internal resistance of the sensor at the temperatures shown in the table.

**Special Tool - Hand Tester: 57001-1394**

- ★ If the hand tester does not show the specified values, replace the sensor.

### Water Temperature Sensor Resistance

Water Temperature	Sensor Resistance
20°C (68°F)	Approx. 293 kΩ
50°C (122°F)	Approx. 78.5 kΩ
90°C (194°F)	Approx. 18.1 kΩ
100°C (212°F)	Approx. 13.2 kΩ



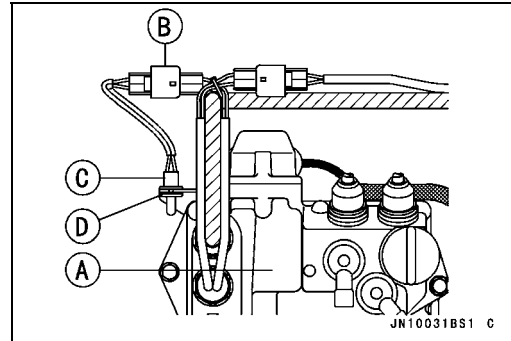
JN10062BS2 C

## 13-36 ELECTRICAL SYSTEM

### Intake Air Temperature Sensor

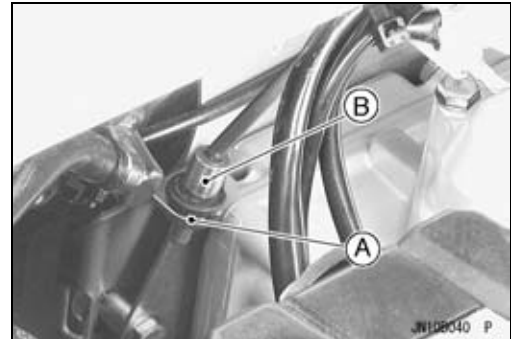
#### Inlet Air Temperature Sensor Removal

- Disconnect the inlet air temperature sensor connector [B]. Remove the inlet air temperature sensor [C] from the bracket [D].
- Electric Case [A]



#### Inlet Air Temperature Sensor Installation

- Connect the inlet air temperature sensor connector and place the inlet air temperature sensor [B] into the bracket [A].



#### Inlet Air Temperature Sensor Inspection

- Remove the inlet air temperature sensor (see Inlet Air Temperature Sensor Removal)
- Suspend the sensor [A] in a container of water so that the temperature sensing protection is submerged.
- Suspend a thermometer [B] in the water.

#### NOTE

○ The sensor and thermometer must not touch the container side or bottom.

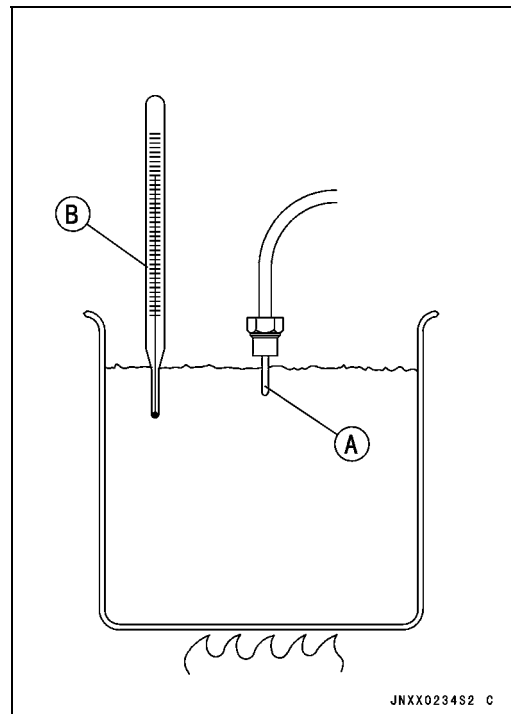
- Place the container over a source of heat and gradually rise the temperature of the water while stirring the water gently.
- Using the hand tester, measure the internal resistance of the sensor at the temperatures shown in the table.

**Special Tool - Hand Tester: 57001-1394**

- ★ If the hand tester does not show the specified values, replace the sensor.

#### Inlet Air Temperature Sensor Resistance

Water Temperature	Sensor Resistance
10C (50°F)	Approx. 3.74 kΩ
20C (68°F)	Approx. 2.47 kΩ
50C (122°F)	Approx. 0.833 kΩ
70C (158°F)	Approx. 0.448 kΩ



**Switches**

*Switch Inspection*

- Using a hand tester, check to see that only the connections shown in the table have continuity (about zero ohms).
- For the switch housing and the ignition switch, refer to the tables in the Wiring Diagram.
- ★ If the switch has an open or short circuit, repair it or replace it with a new one.

**Special Tool - Hand Tester: 57001-1394**

**Start Switch**

	Y/R	Y/R
PUSH	○ —	○ —

JN10082B S

**Stop Switch**

	BK	W
FREE		
PUSH	○ —	○ —

JN10083B S

**Tether Switch**

	TETHER CORD	BK	W	R/PU	Y/R
	SET			○ —	○ —
PUSH	PULL	○ —	○ —		

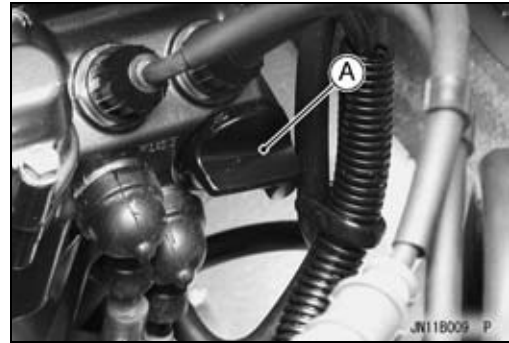
JN10084B S

## 13-38 ELECTRICAL SYSTEM

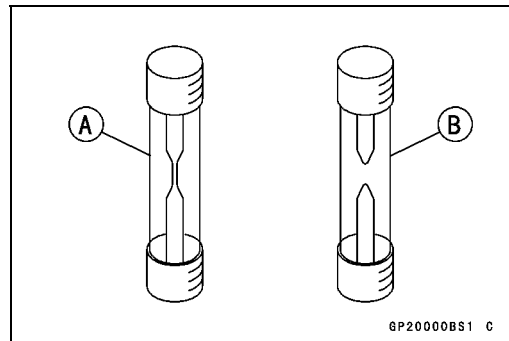
### Fuse

#### Fuse Inspection

- Remove:
  - Engine Hood (see Hull/Engine Hood chapter)
  - Fuse Plug [A]
  
- Pull the cap [A], and take out the fuse [B] (10 A).



- Inspect the fuse element.
- ★ If it is down out, replace the fuse. Before replacing a blown fuse, always check the amperage in the affected circuit. If the amperage is equal to or greater than the fuse rating, check the wiring and related components for a short circuit.
  - [A] Normal
  - [B] Failed



#### CAUTION

**When replacing a fuse, be sure the new fuse matches the specified fuse rating for that circuit. Installation of a fuse with a higher rating may cause damage to wiring and components.**



---

---

# Storage

## Table of Contents

Preparation for Storage .....	14-2
Cooling System .....	14-2
Bilge System .....	14-2
Fuel System .....	14-2
Engine .....	14-3
Battery .....	14-3
Lubrication .....	14-3
General .....	14-4
Removal from Storage .....	14-5
Lubrication .....	14-5
General Inspection .....	14-5
Fuel System .....	14-5
Test Run .....	14-6

## 14-2 STORAGE

### Preparation for Storage

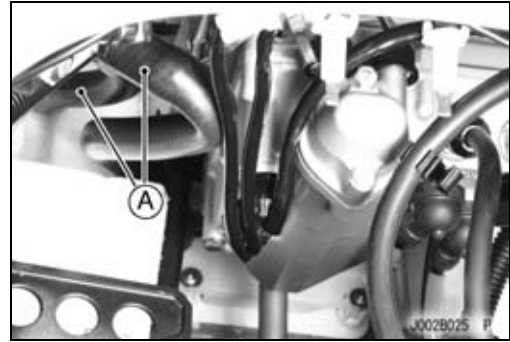
During the winter, or whenever the watercraft will not be in use for a long period of time, proper storage is essential. It consists of checking and replacing missing or worn parts; lubricating parts to ensure that they do not become rusted; and, in general, preparing the watercraft so that when the time comes to use it again, it will be in top condition.

#### Cooling System

- Clean the cooling system (see Cooling System Flushing in the Periodic Maintenance chapter).

#### Bilge System

- Clean the bilge system (see Bilge System Flushing in the Periodic Maintenance chapter). Before reconnecting the hoses to the plastic breather fitting, blow air through both hoses [A] to force all water out of the bilge system.

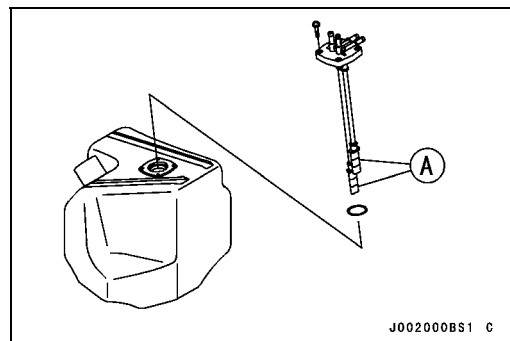
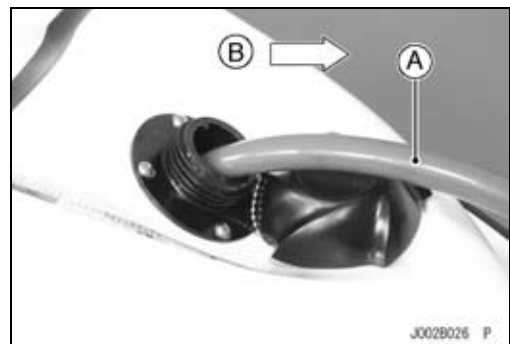


#### Fuel System

#### ⚠ WARNING

**Gasoline is extremely flammable and can be explosive under certain conditions. Pull the lanyard key off the stop button. Do not smoke. Make sure the area is well ventilated and free from any source of flame or sparks; this includes any appliance with a pilot light.**

- Drain the fuel tank. This should be done with a siphon or pump.  
Siphon Hose [A]  
Bow [B]
- Clean the filter screens [A] (see Fuel Filter Screen Cleaning in the Periodic Maintenance chapter).
- Inspect/replace the fuel filters (see Fuel Filter Inspection and Cleaning in the Fuel System chapter).
- Leave the fuel filter cap loose to prevent condensation in the tank.



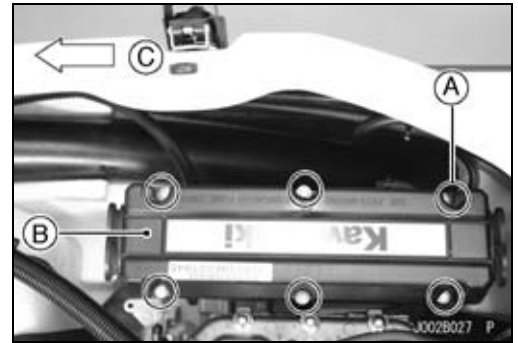
- Push the lanyard key under the stop button, and start the engine and run it in 15 second periods until all fuel in the carburetor is used up. Wait 5 minutes between 15 second running periods.
- Pull the lanyard key off the stop button.

#### CAUTION

**Do not run the engine without cooling water supply for more than 15 seconds, especially in high revolutionary speed, or severe engine and exhaust system damage will occur.**

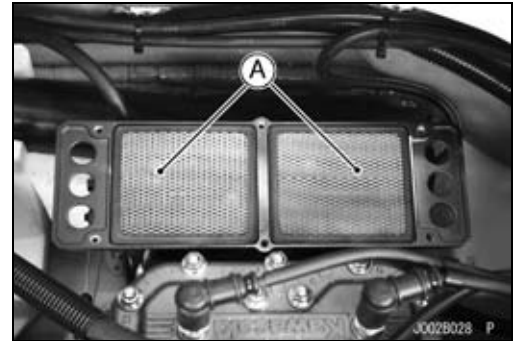
## Preparation for Storage

- Unscrew the bolt [A] and remove the air inlet cover [B] from the carburetor assembly.  
Bow [C]



- Lift out the flame arresters [A] and clean them, if necessary (see Flame Arrester Cleaning and Inspection in the Periodic Maintenance chapter).
- Spray a penetrating rust inhibitor down the carburetor bore.
- Install the flame arresters.
- Reinstall the cover, apply a non-permanent locking agent to the threads of the air inlet cover bolts.

**Torque - Air Inlet Cover Mounting Bolts: 8.8 N·m (0.90 kgf·m, 78 in·lb)**



### Engine

- Remove the spark plugs and push the plug caps fully onto the plug cap holders [A] on the rear of the engine compartment.
- Pour one ounce of motor oil into each cylinder.

### CAUTION

**Do not use too much oil, or the crank seals may be damaged when the engine is next started.**

- Push the lanyard key under the stop button. Turn the engine over several times with the start button to coat the cylinder walls with oil.
- Pull the lanyard key off the stop button.
- Reinstall the spark plugs and caps.



### Battery

- Give a refresh charge before you store the watercraft and store it with the negative lead removed. Give a refresh charge once a month during storage.
- Remove the battery (see Battery Removal in the Electrical System chapter).
- Clean the exterior with a solution of baking soda and water (one heaping tablespoon of baking soda in one cup of water). Rinse thoroughly with water.
- Cover both battery terminals with grease.
- Store the battery in a cool, dry place. Do not expose it to freezing temperatures.

### Lubrication

- Carry out all recommended lubrication procedures (see Lubrication in the Periodic Maintenance chapter).
- During the storage, lubricate the following with penetrating rust inhibitor as well.

Steering Cable Joint Connector at Steering Nozzle

## 14-4 STORAGE

### Preparation for Storage

#### General

- Open the engine hood (see Hull/Engine Hood chapter).
- Wash the engine compartment with fresh water and remove the drain screw [A] in the stern to drain the water. Wipe up any water left in the compartment.

#### CAUTION

**Use only a mild detergent in water to wash the hull. Harsh solvents may attack the surface or smear the colors.**

- Apply a good grade of wax to all exterior hull surfaces.
- Lightly spray all exposed metal parts with a penetrating rust inhibitor.
- Open the engine hood or block the engine hood up with 10 mm spacers to insure adequate ventilation, and prevent corrosion.
- Cover the watercraft and store it in a clean, dry place.



---

## Removal from Storage

---

### *Lubrication*

- Carry out all recommended lubrication procedures (see Lubrication in the Periodic Maintenance chapter).

### *General Inspection*

- Check for binding or sticking throttle, choke or steering mechanism. The throttle lever must return fully when released.
- Clean and gap spark plugs (see Spark Plug Cleaning and Spark Plug Adjustment in the Periodic Maintenance chapter).
- Check all rubber hoses for weathering a cracking or looseness.
- Check that the drain screw in the stern is securely tightened.
- Check the fire extinguisher for a full charge.
- Check the battery, charge if necessary, and clean the terminals.
- Install the battery (see Battery Installation in the Electrical System chapter).

### *Fuel System*

- Check and clean or replace the fuel filter screens as necessary (see Fuel Filter Screen Cleaning in the Periodic Maintenance chapter).

#### **⚠ WARNING**

**Gasoline is extremely flammable and can be explosive under certain conditions. Pull the lanyard key off the stop button. Do not smoke. Make sure the area is well ventilated and free from any source of flame or spark; this includes any appliance with a pilot light.**

- After refueling and before starting the engine, tilt the engine hood to the rear for several minutes to ventilate the engine compartment.

#### **⚠ WARNING**

**A concentration of gasoline fumes in the engine compartment can cause a fire or explosion.**

- Check for fuel leaks. Repair if necessary.
- Check the engine oil level. Fill the oil tank with the specified oil.

## 14-6 STORAGE

---

### Removal from Storage

---

#### *Test Run*

#### **⚠ WARNING**

**Do not run the engine in a closed area. Exhaust gases contain carbon monoxide, a colorless, odorless, poisonous gas. Breathing exhaust gas leads to carbon monoxide poisoning, asphyxiation, and death.**

- Start the engine and run it only for 15 seconds. Check for fuel, oil and exhaust leaks. Any leaks must be repaired.

#### **CAUTION**

**Do not run the engine without cooling water supply for more than 15 seconds, or severe engine and exhaust system damage will occur.**

- Install the engine hood (see Hull/Engine Hood chapter), making sure it is locked.

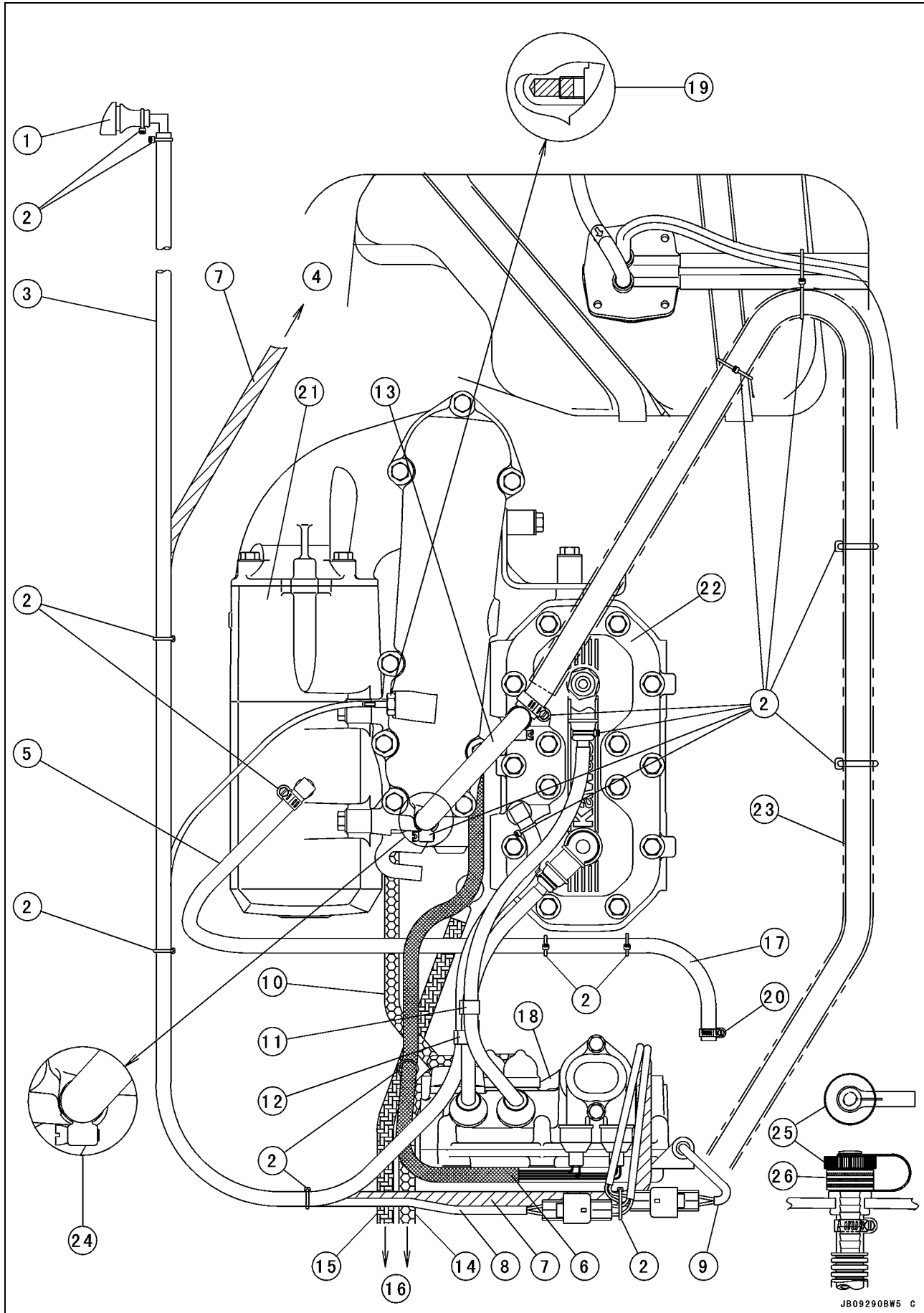
# Appendix

## Table of Contents

Cable, Wire and Hose Routing .....	15-2
Troubleshooting .....	15-22

# 15-2 APPENDIX

## Cable, Wire and Hose Routing





---

**Cable, Wire and Hose Routing**

---

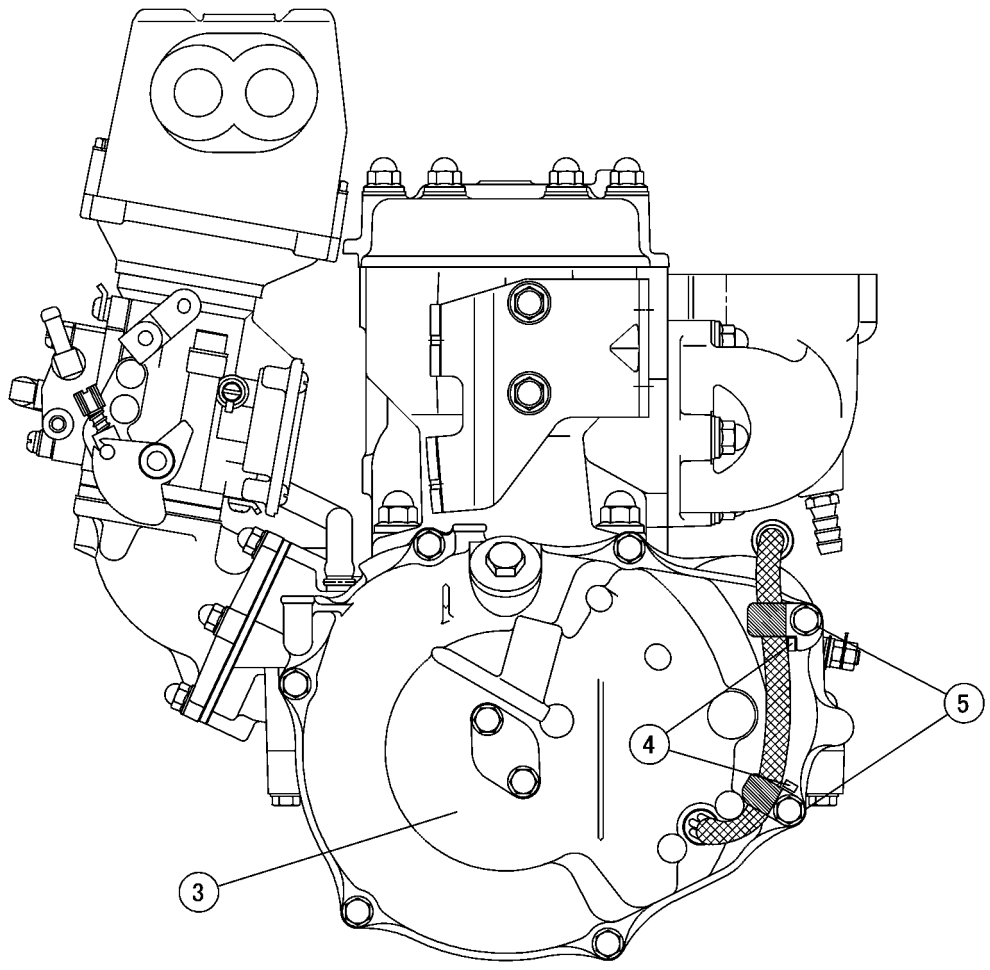
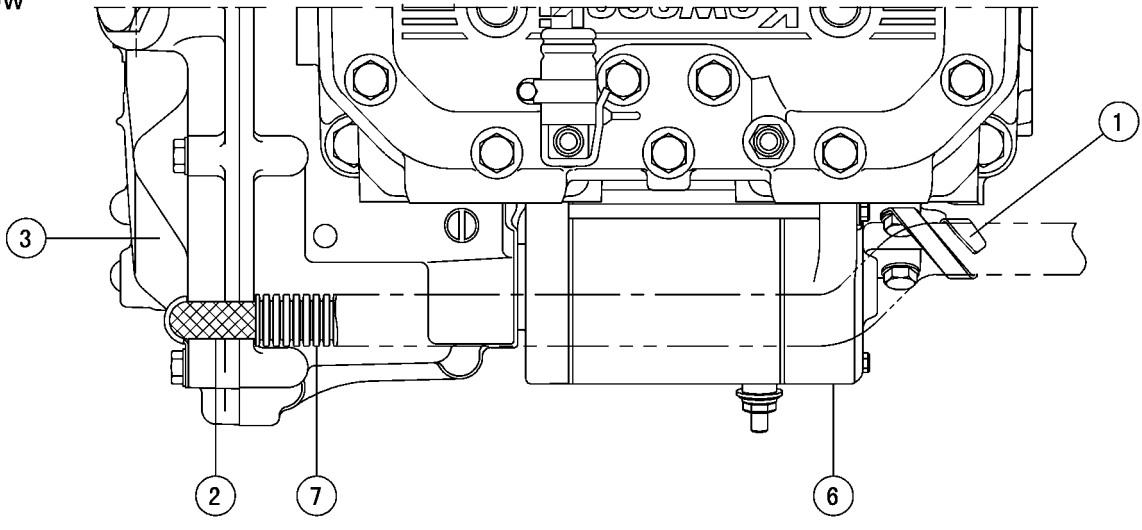
1. Bypass Outlet
2. Clamps
3. Bypass Cooling Hose (Cylinder Head ~ Bypass Outlet)
4. To Start/Stop Switch
5. Cooling Hose (Water Box Muffler ~ Hull)
6. Magneto Leads
7. Start/Stop Switch Leads
8. Water Temperature Sensor Leads
9. Inlet Air Temperature Sensor Leads
10. Starter Motor Cable
11. Clamp the #1 and #2 spark plug leads.
12. Clamp the bypass cooling hose and #2 spark plug lead.
13. Cooling Hose (Cylinder Head ~ Exhaust Pipe)
14. Battery (+) Cable
15. Battery (-) Cable
16. Battery
17. Cooling Hose (Water Box Muffler ~ Hull)
18. Electric Case
19. Fill the hollow with the specified silicone grease (Kawasaki Bond (Silicone Grease): 92137-1002) (See the text).
20. To Hull
21. Exhaust Chamber
22. Cylinder Head
23. Flushing Hose
24. Position the clamp screw as shown.
25. Flushing Cap
26. Flushing Fitting

# 15-4 APPENDIX

## Cable, Wire and Hose Routing



Bow



Viewed from Bow

---

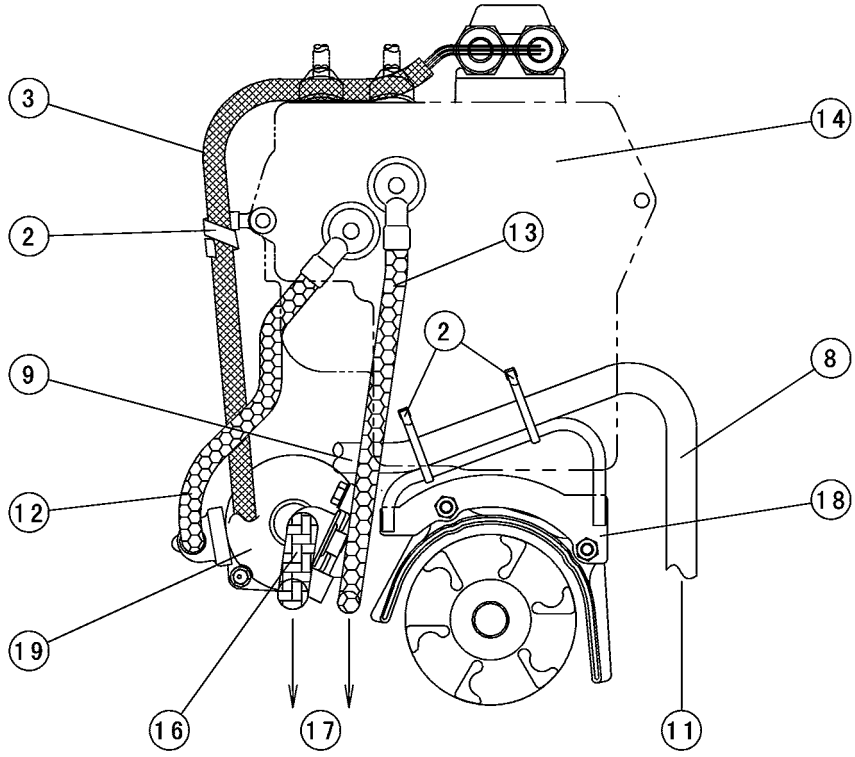
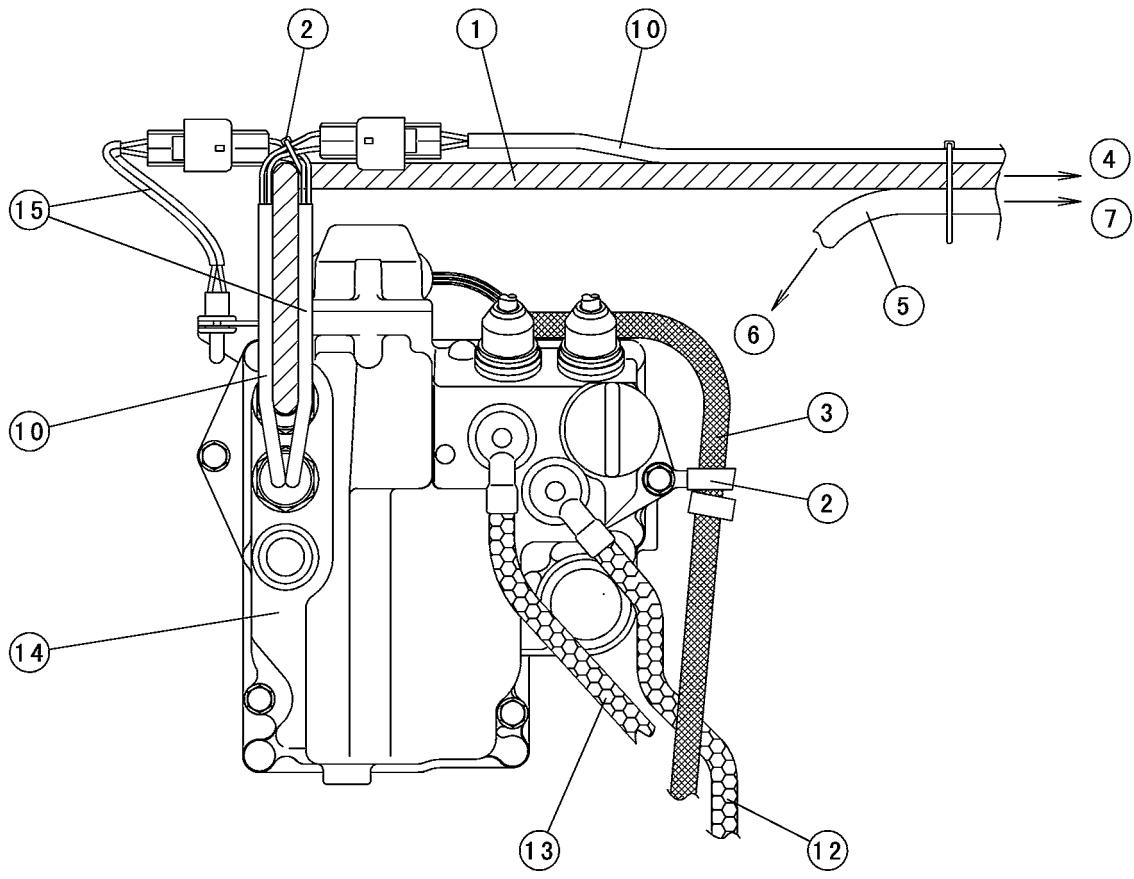
**Cable, Wire and Hose Routing**

---

1. Clamp
2. Magneto Leads
3. Magneto Cover
4. Stopper
5. Be sure that the clamps touch the stoppers.
6. Starter Motor
7. Protect Tube

# 15-6 APPENDIX

## Cable, Wire and Hose Routing



---

**Cable, Wire and Hose Routing**

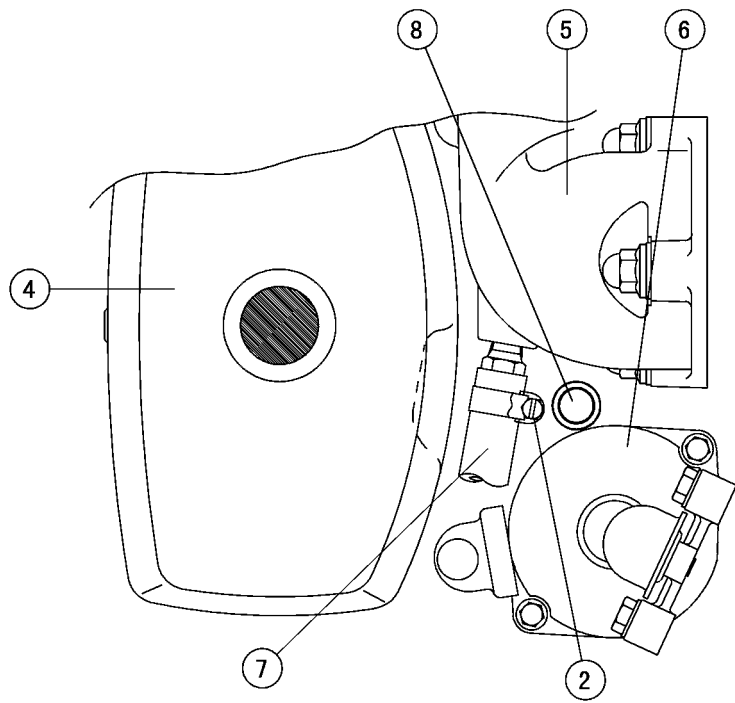
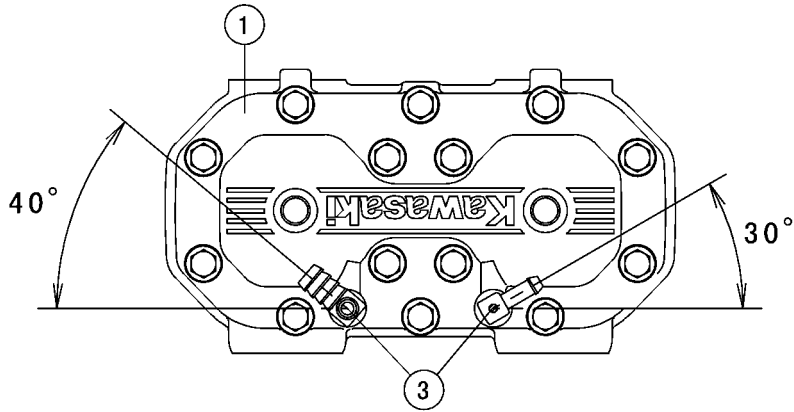
---

1. Start/Stop Switch Leads
2. Clamps
3. Magneto Leads
4. To Start/Stop Switch
5. Bypass Cooling Hose
6. From Cylinder Head
7. To Bypass Outlet
8. Cooling Hoses
9. From Water Box Muffler
10. Water Temperature Sensor Leads
11. To Hull
12. Starter Motor Cable
13. Battery (+) Cable
14. Electric Case
15. Inlet Air Temperature Sensor Leads
16. Battery (-) Cable
17. Battery
18. Coupling Cover
19. Starter Motor

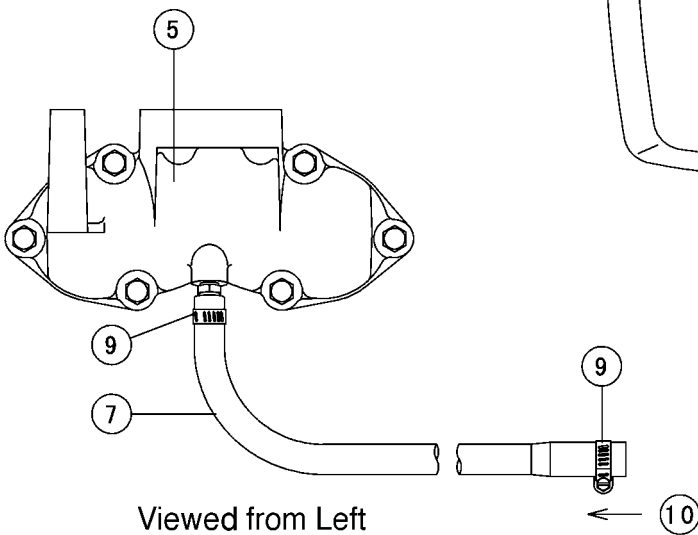
# 15-8 APPENDIX

## Cable, Wire and Hose Routing

Bow ←



Viewed from Stern



Viewed from Left

---

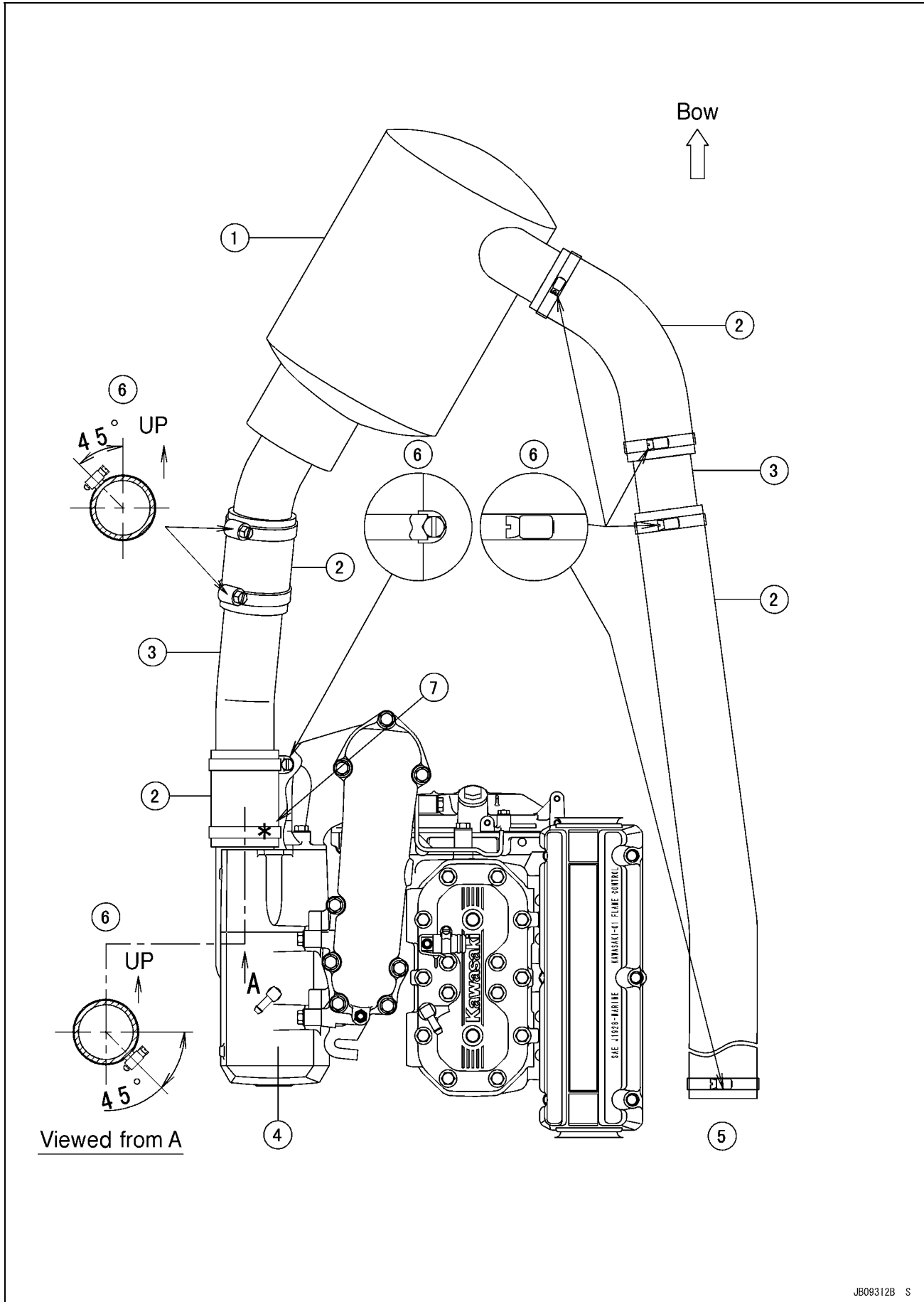
**Cable, Wire and Hose Routing**

---

1. Cylinder Head
2. Position the clamp screw as shown.
3. Water Hose Joint (Position as shown.)
4. Exhaust Chamber
5. Exhaust Manifold
6. Starter Motor
7. Inlet Cooling Hose
8. Magneto Leads
9. Clamps
10. From Pump to Inlet Cooling Hose

# 15-10 APPENDIX

## Cable, Wire and Hose Routing





---

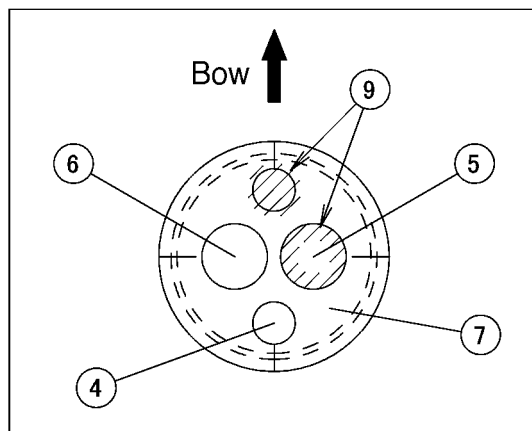
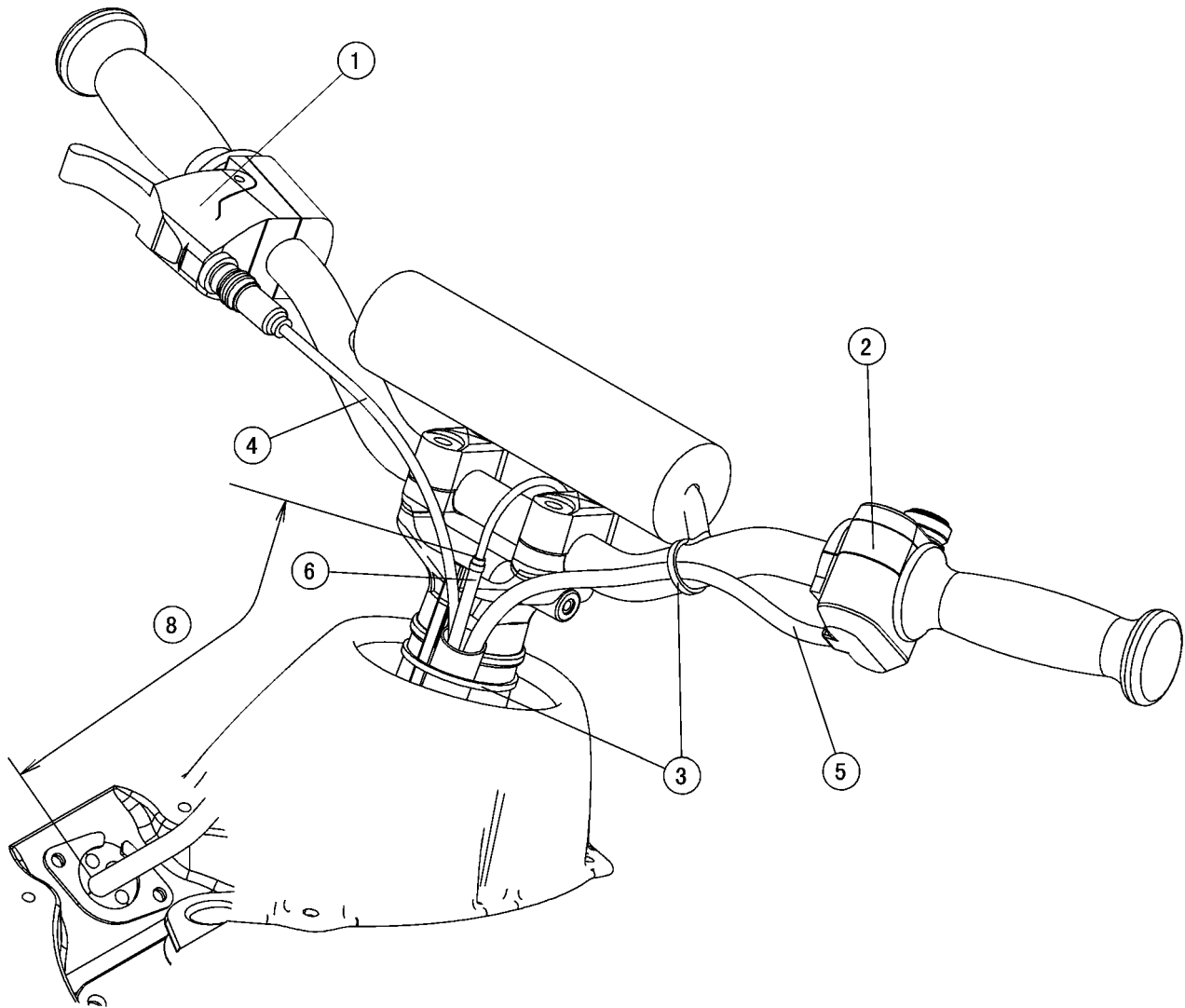
**Cable, Wire and Hose Routing**

---

1. Water Box Muffler
2. Exhaust Tube
3. Exhaust Pipe
4. Exhaust Chamber
5. To Tail Pipe
6. Position the clamp screw as shown.
7. Position the clamp screw to the mark.

# 15-12 APPENDIX

## Cable, Wire and Hose Routing



---

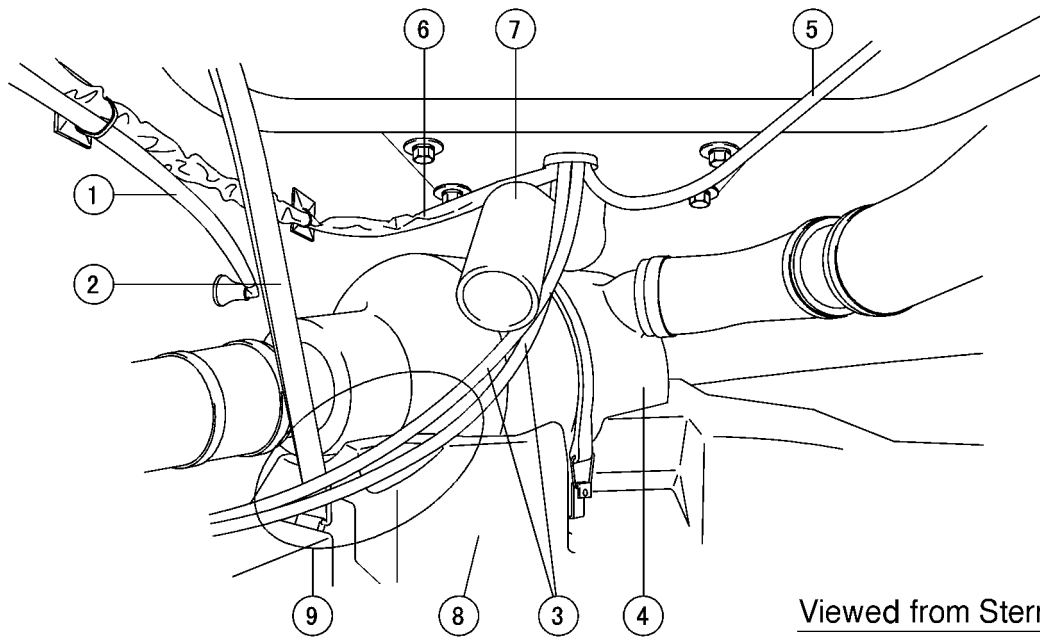
**Cable, Wire and Hose Routing**

---

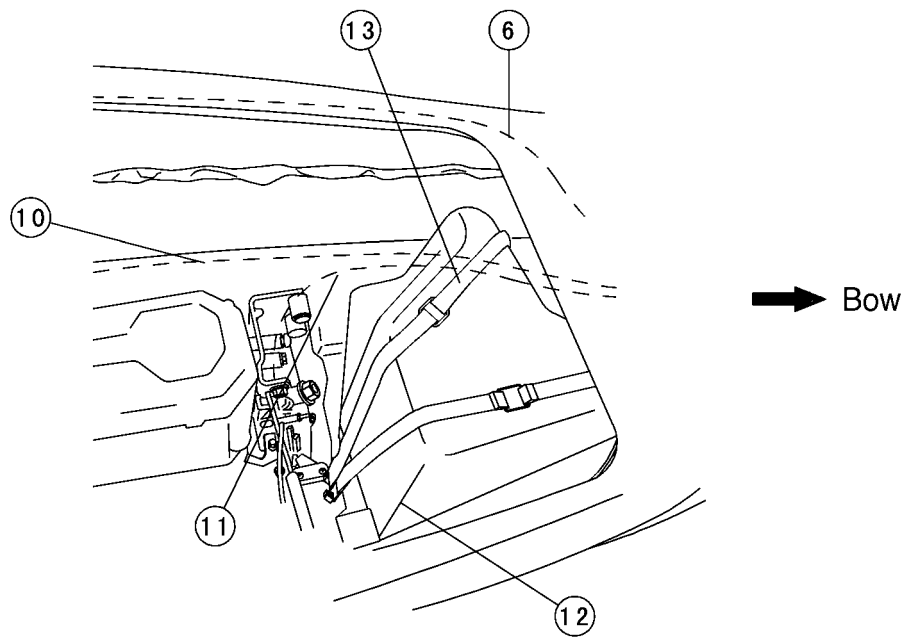
1. Throttle Case
2. Start/Stop Switch
3. Clamps
4. Throttle Cable
5. Start/Stop Switch Leads
6. Fuel Vent Hose
7. Grommet
8. 200 mm
9. Apply Silicon Sealant.

# 15-14 APPENDIX

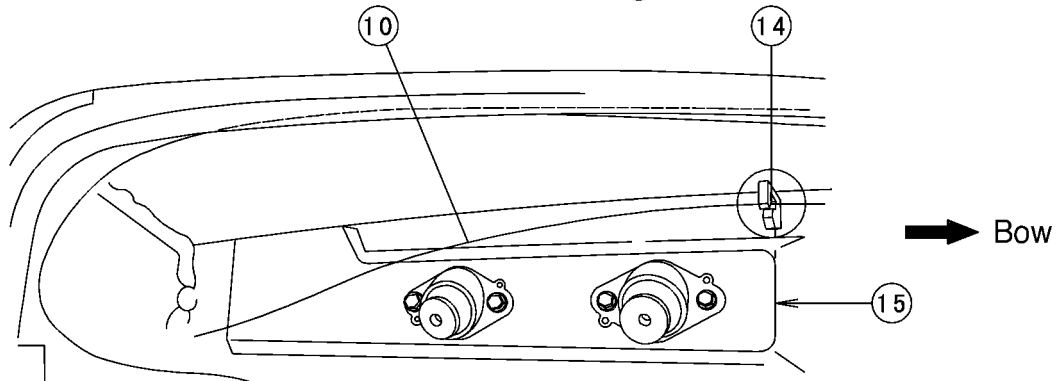
## Cable, Wire and Hose Routing



Viewed from Stern



→ Bow



→ Bow

---

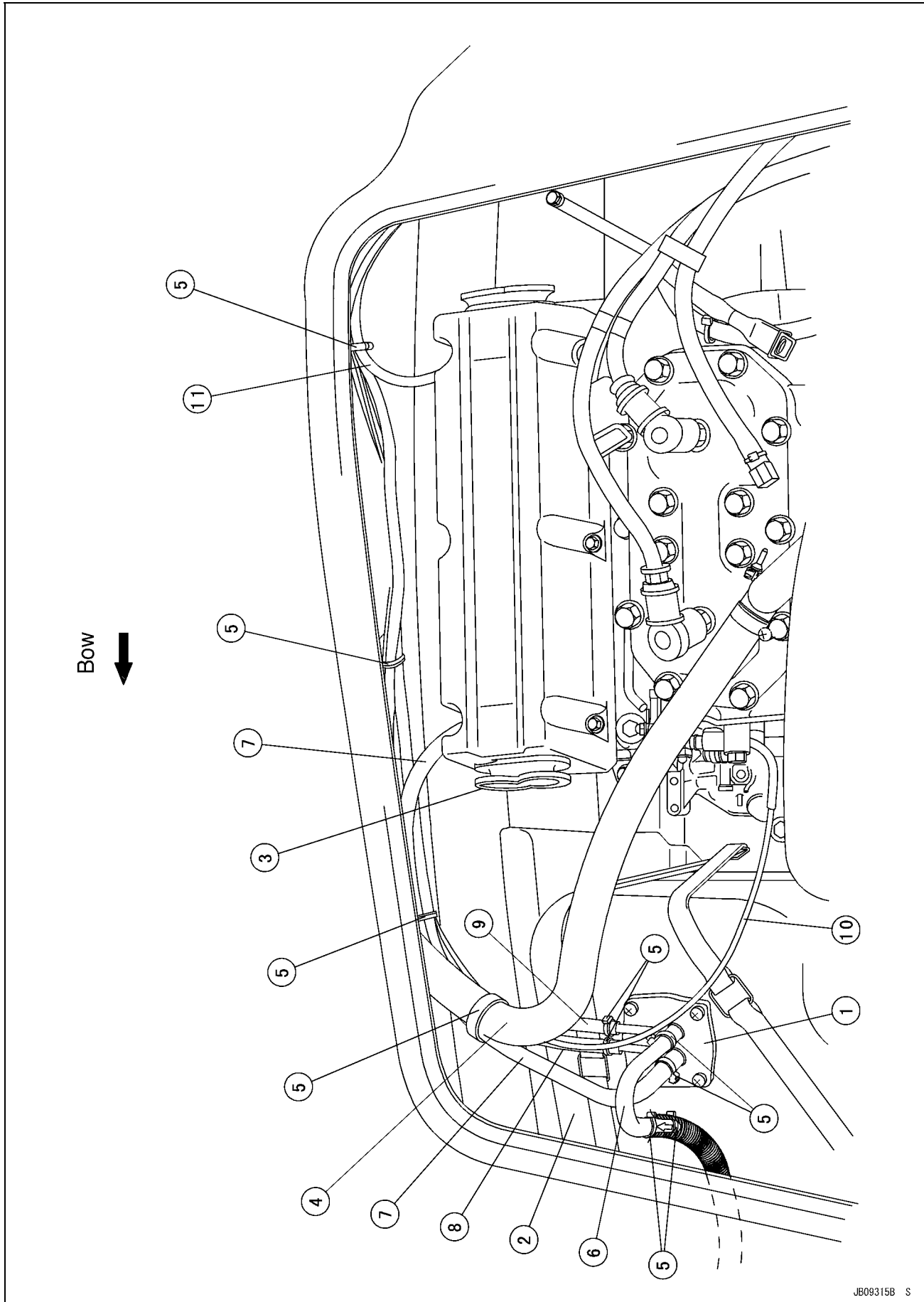
**Cable, Wire and Hose Routing**

---

1. Bypass Cooling Hose
2. Fuel Tank Strap
3. Steering Cable and Throttle Cable
4. Water Box Muffler
5. Fuel Vent Hose
6. Start/Stop Switch Leads (Run the leads above the fuel filler tube.)
7. Fuel Filler Tube
8. Foam
9. Fit the cables to the form recess and run the cables between the fuel tank and the strap.
10. Steering Cable
11. Throttle Cable
12. Fuel Tank
13. Fuel Tank Strap
14. Install the detent to the end of engine mount surface.
15. Engine Mount Surface End

# 15-16 APPENDIX

## Cable, Wire and Hose Routing



---

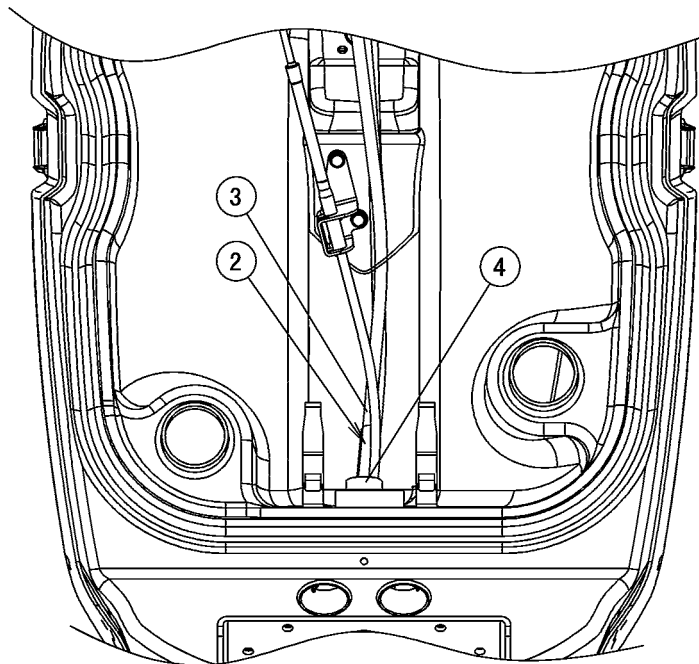
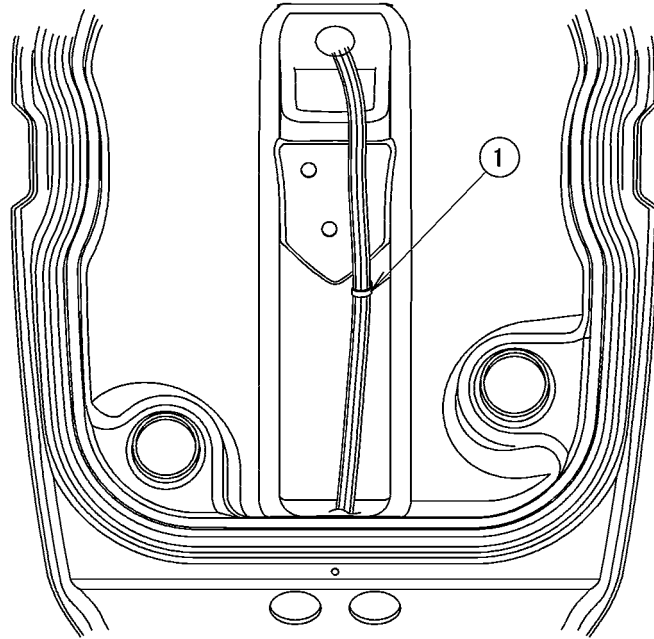
**Cable, Wire and Hose Routing**

---

1. Fuel Filter Assembly
2. Fuel Tank
3. Air Intake Cover
4. Flushing Hose
5. Clamps
6. Fuel Vent Hose
7. Fuel Hose (Return)
8. Fuel Hose (Main)
9. Fuel Hose (Reserve)
10. Choke Cable
11. Fuel Hose (Supply)

# 15-18 APPENDIX

## Cable, Wire and Hose Routing





---

**Cable, Wire and Hose Routing**

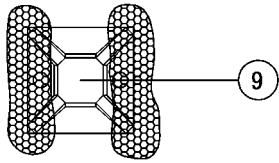
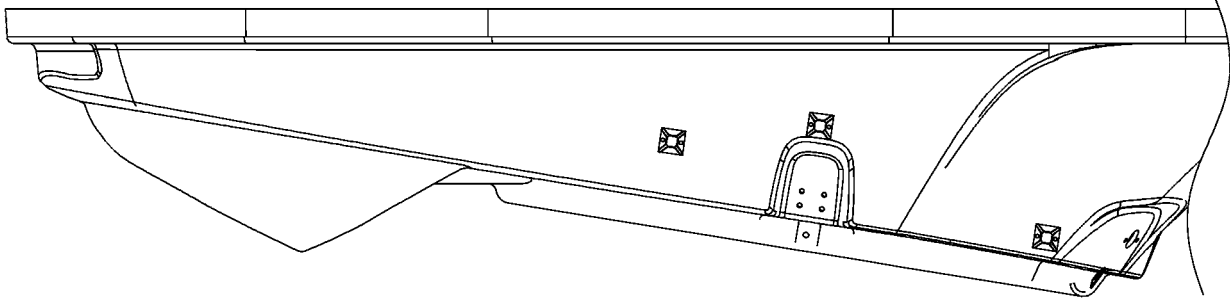
---

1. Clamps (Steering Cable, Throttle Cable, Start/Stop Switch Leads, Fuel Vent Hose)
2. Protective tube (To protect the fuel vent hose, leave the protective tube protruding from the upper pipe end as shown.)
3. Fuel Vent Hose
4. Pipe

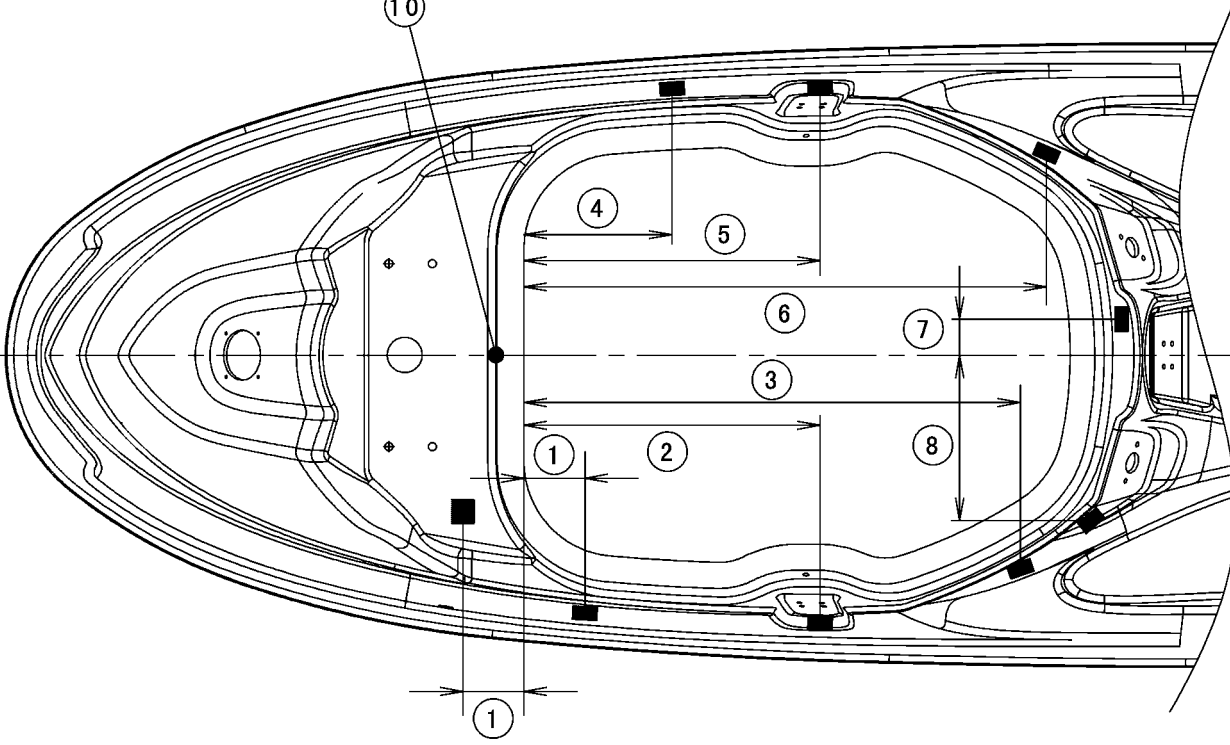
# 15-20 APPENDIX

## Cable, Wire and Hose Routing

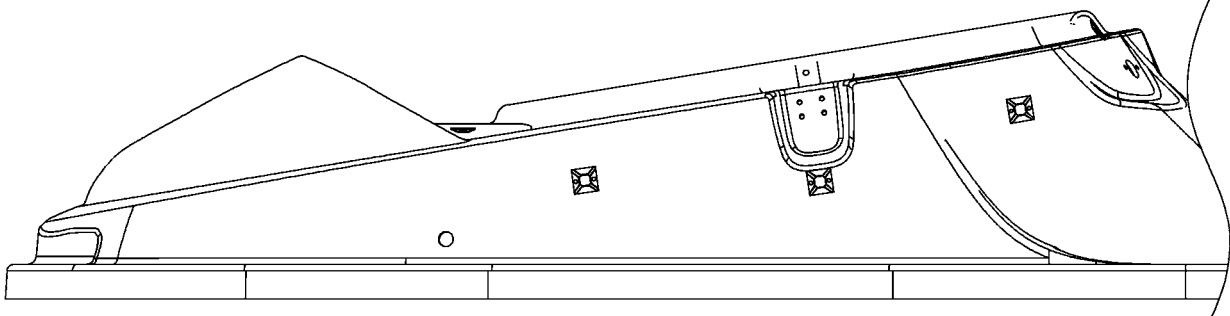
Viewed from Right



10



Viewed from Left



---

**Cable, Wire and Hose Routing**

---

1. 70 mm
2. 340 mm
3. 570 mm
4. 170 mm
5. 340 mm
6. 600 mm
7. 40 mm
8. 160 mm
9. Holder
10. Standard Point

## 15-22 APPENDIX

### Troubleshooting

---

#### Starting difficulty or failure to start

##### Ignition System

###### Spark

- Fault in fuel system
- Lack of compression

###### No spark

- Faulty spark plug
- Faulty plug wire insulation
- Faulty CDI igniter
- Faulty ignition coil
- Faulty magneto
- Battery voltage low

##### Fuel system (check that fuel tank contains fuel)

###### Outside Carburetor

- Fuel feed line leaking or clogged
- Pulse line leaking or clogged
- Fuel filter screen clogged
- Vent line clogged
- Faulty fuel pump

###### Inside Carburetor

- Carburetor diaphragm damaged
- Mixture screw not adjusted
- Water in carburetor
- Float arm not adjusted

##### Battery/Starter System

- Faulty magneto solenoid switch
- Battery voltage low
- Starter motor brushes worn
- Faulty reduction gear
- Lanyard key not pushed under stop button.

#### Engine starts but stops right away

##### Compression

- Faulty crankshaft oil seal
- Crankcase joint leak
- Worn piston and rings
- Head gasket leak
- Spark plug leak

##### Fuel System

###### Outside Carburetor

- Misuse of choke
- Fuel filter screen clogged
- Fuel feed line leaking or clogged
- Pulse line leaking or clogged
- Vent line clogged
- Faulty fuel pump

###### Inside Carburetor

- Water in carburetor
- Carburetor diaphragm damaged
- Mixture screw not adjusted
- Float arm not adjusted

##### Electrical System

- Faulty spark plug
- Poor wiring connection
- Faulty magneto

---

## Troubleshooting

---

### Engine misfires, does not run smoothly

#### Fuel System

##### Fuel mixture too lean

##### Fault in Carburetor

- Wrong mixture screw
- Obstruction in fuel passage or outlet
- Diaphragm leaking or damaged
- Float arm not adjusted

##### Other

- Poor fuel supply (fuel filter screens, hoses, or vent line clogged)
- Carburetor mounting loose
- Faulty fuel pump

##### Fuel mixture too rich

##### Fault in Carburetor

- Diaphragm needle dirty or damaged
- Float arm not adjusted
- Choke of adjusted
- Mixture screw not adjusted

##### Other

- Flame arrester clogged

#### Electrical System

##### Other

- Ignition timing wrong

##### Weak Spark

- Faulty ignition coil
- High voltage insulation breakdown
- Spark plug fouled
- Spark plug gap wrong
- Poor wiring connection, spark plug cap
- Faulty CDI igniter
- Faulty magneto
- Battery voltage low

### Abnormal engine sound

#### During normal cruising

- Slight piston seizure
- Piston ring broken or sticking
- Main bearing worn or damaged

#### During sudden acceleration

- Excessive clearance between connecting rod small end and piston pin, or between pin and piston
- Excessive connecting rod big end clearance

#### Pinging

- Ignition timing too advanced
- Carbon accumulation in cylinder head
- Poor quality gasoline
- Spark plug wrong heat range

#### When the engine is idling while cold

- Excessive piston clearance
- Piston rings worn
- Piston worn
- Connecting rod bent, twisted

## 15-24 APPENDIX

### Troubleshooting

---

#### **Low engine power (This trouble often has more than one cause, and trouble symptoms may not be clear)**

##### **Ignition System**

- Spark plug gap or heat range wrong
- Ignition timing wrong
- Reduced ignition coil output
- Loose wiring connection in ignition circuit

##### **Fuel System**

- Insufficient fuel supply to carburetor
- Carburetor diaphragm damaged
- Pulse line leaking or clogged
- High speed nozzle clogged
- Throttle valve does not fully open
- Fuel filter screen clogged
- Faulty fuel pump

##### **Other**

- Flame arrester clogged
- Muffler or exhaust system clogged
- Water or foreign matter in gasoline
- Exhaust gas leak in engine compartment

##### **Overheating**

- Ignition wrong
- Carburetor not adjusted
- Carbon accumulation in combustion chamber
- Wrong type of gasoline or oil
- Wrong gas/oil mixture
- Cooling water line leaking or clogged

##### **Heavy Fuel Consumption**

- Carburetor not adjusted
- Flame arrester clogged
- Muffler or exhaust system clogged
- Worn cylinder, piston or piston ring
- Fuel feed line leaking
- Carburetor diaphragm needle dirty or damaged

#### **Poor performance though engine runs properly**

##### **Jet Pump**

- Inlet area obstructed
- Impeller or pump case damaged
- Excessive clearance between impeller and pump case

#### **Poor steering control (Since faulty steering is dangerous, this problem should be examined by an authorized Jet Ski dealer)**

##### **Handlebar pivot nut too tight**

- Steering maladjusted
- Bushings damaged or cracked
- Steering shaft bent
- No lubricant on steering pivot
- Steering cable damaged or improperly routed

## MODEL APPLICATION

Year	Model	Beginning Hull No.
2006	JF800A6F	US-KAW60001□506

□: This digit in the hull number changes from one machine to another.



KAWASAKI HEAVY INDUSTRIES, LTD.  
Consumer Products & Machinery Company

Part No.99924-1378-01

Printed in Japan