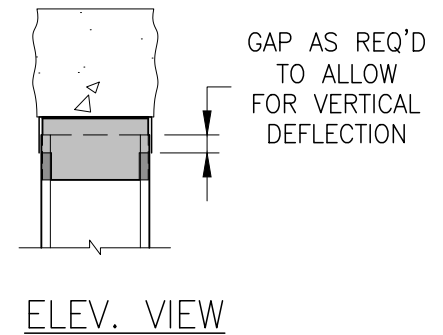
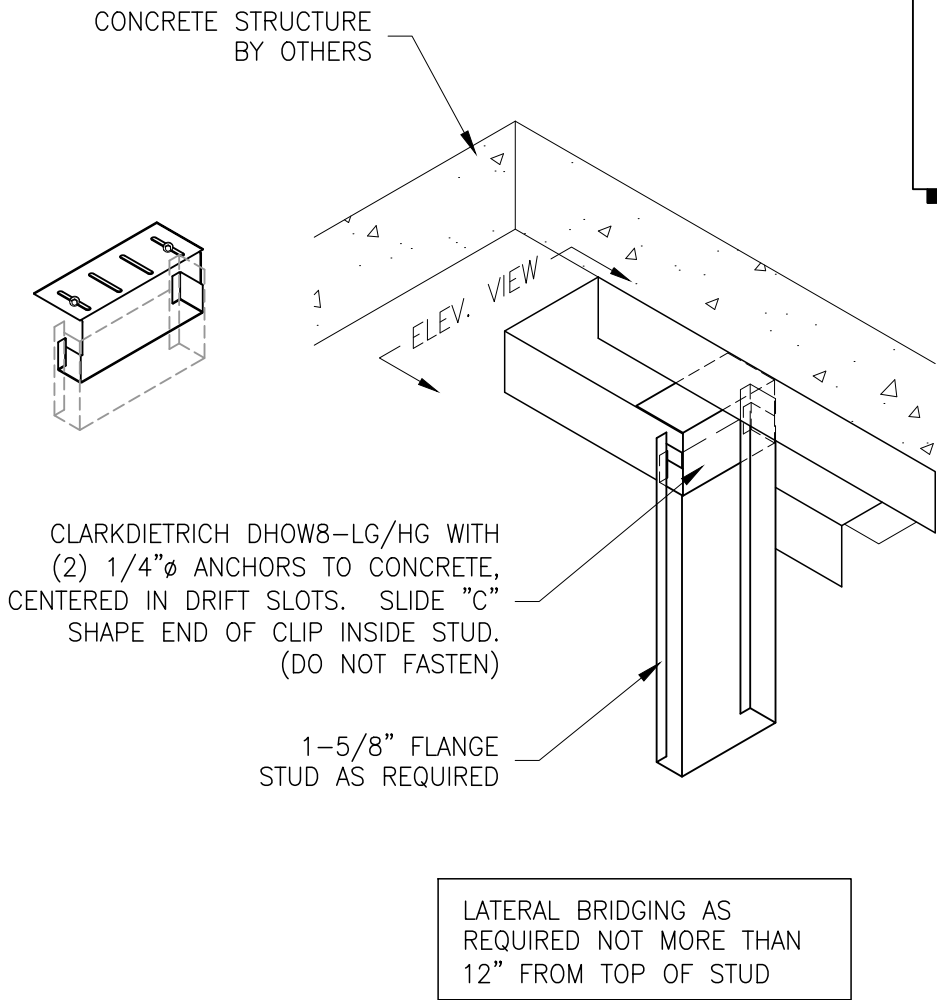


**INSTALLATION NOTES:**

- 1) TO ENSURE DRIFT, BACK OUT THE FASTENERS TO THE STRUCTURE ABOUT 1/2 TURN.
- 2) INSTALLER TO ENSURE DRYWALL SCREWS DO NOT INTERFERE WITH CLIP MOVEMENT.



DRIFT HEAD-OF-WALL (DHOW8)  
to Concrete Structure



Engineering Services: (877) 832-3206

Technical Services: (888) 437-3244