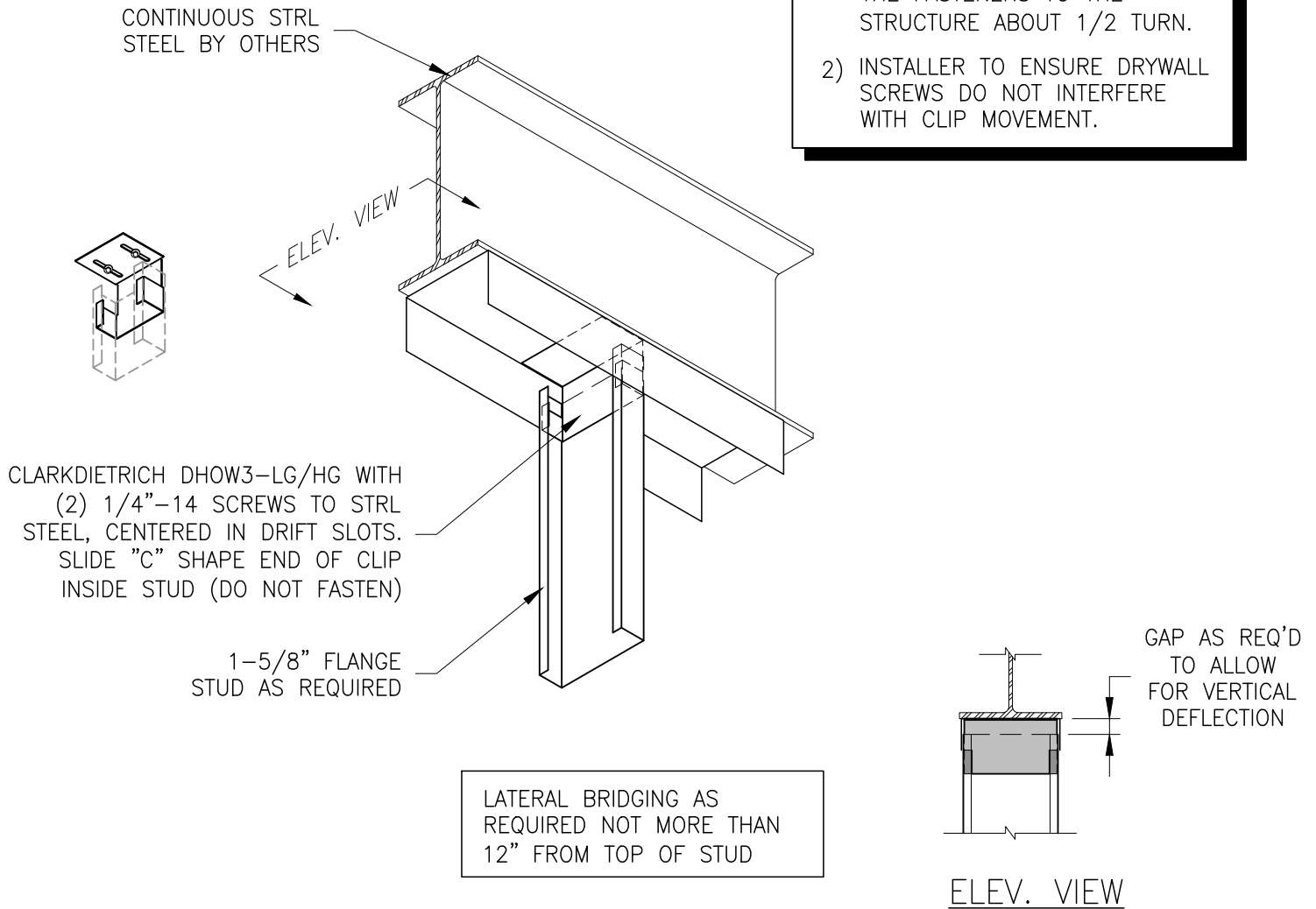


**INSTALLATION NOTES:**

- 1) TO ENSURE DRIFT, BACK OUT THE FASTENERS TO THE STRUCTURE ABOUT 1/2 TURN.
- 2) INSTALLER TO ENSURE DRYWALL SCREWS DO NOT INTERFERE WITH CLIP MOVEMENT.



DRIFT HEAD-OF-WALL (DHOW3)  
CONNECTION TO STEEL STRUCTURE



Engineering Services: (877) 832-3206

Technical Services: (888) 437-3244

The CAD detail library is intended to provide general framing details only and does not replace the judgments and designs of a qualified architect and/or engineer. The details are provided as a starting tool to assist the user in creating and detailing cold-formed steel framing construction details. Each detail including accompanying text must be thoroughly evaluated and approved by a qualified architect or engineer. | Find over 500 CAD details at [cad.clarkdietrich.com](http://cad.clarkdietrich.com) | © Copyright 2020 ClarkDietrich