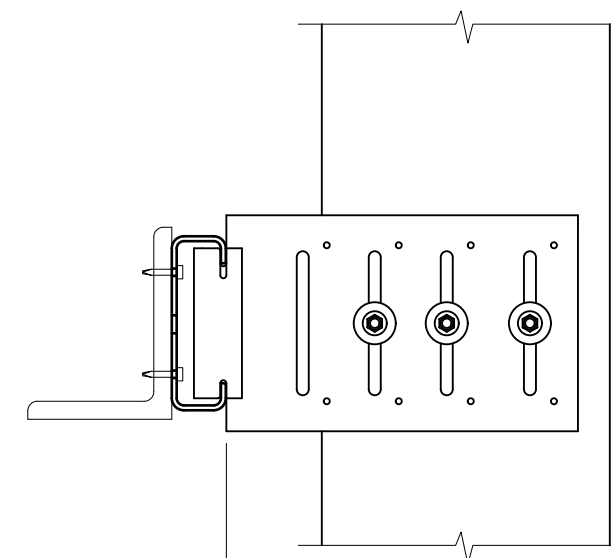


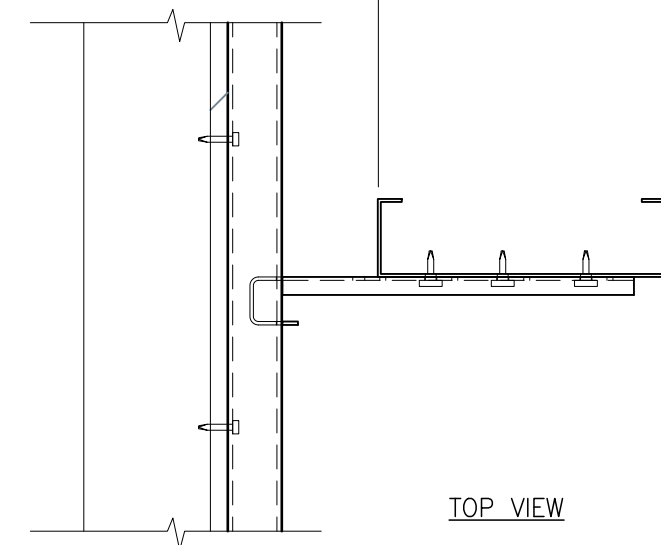
- INSTALLATION NOTE:**
 TO INSTALL CLIP INTO RAIL:
- START WITH CLIP PLACED HORIZONTAL
 - INSERT CLIP INTO RAIL
 - LINE UP SLOTS OF CLIP WITH RAIL RETURNS
 - ROTATE CLIP SO IT'S VERTICAL

ClarkDietrich DRIFT RAIL AND DRC8-68 OR DRC8-97 ATTACHED TO STUDS W/(3) PROPRIETARY SCREWS (PROVIDED W/CLIP) IN CENTER OF VERTICAL SLOTS. CLIP THICKNESS AS REQ'D BY DESIGN.

ClarkDietrich 12' DRIFT RAIL 12GA (97 MILS) ATTACH TO STRUCTURAL SYSTEM AT 6" O.C. AS REQ'D BY DESIGN.



1/8" MIN TO 2-7/8" MAX



STUD CONNECTION W/DRC8-68 OR DRC8-97

ClarkDietrich DRIFT RAIL AND CLIP FOR 6" STUDS
 CURTAIN WALL BYPASS WITH DRIFT & VERTICAL DEFLECTION



Engineering Services: (877) 832-3206

Technical Services: (888) 437-3244

The CAD detail library is intended to provide general framing details only and does not replace the judgments and designs of a qualified architect and/or engineer. The details are provided as a starting tool to assist the user in creating and detailing cold-formed steel framing construction details. Each detail including accompanying text must be thoroughly evaluated and approved by a qualified architect or engineer. | Find over 500 CAD details at cad.clarkdietrich.com | © Copyright 2020 ClarkDietrich