



9100 Centre Pointe Dr.  
Suite 210  
West Chester, OH 45088  
Phone: (513) 870-9100

**ClarkDietrich**  
BUILDING SYSTEMS

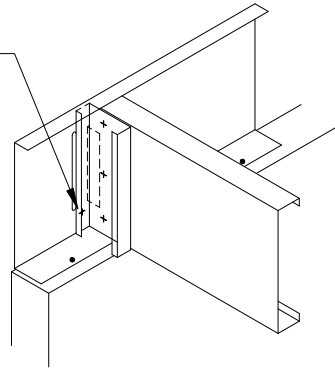
Engineering Services: (877) 832-3206

**TradeReady® FLOOR DETAILS**

Technical Services: (888) 437-3244

DRAWING:  
**F1300**

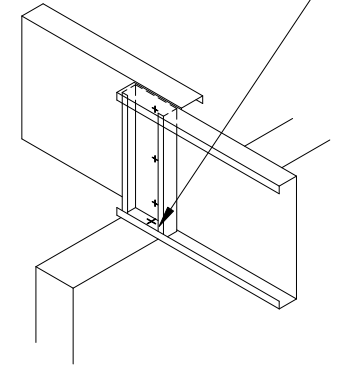
(1) SCREWS AS REQUIRED,  
THROUGH BASE  
OF RIM TO WEB  
STIFFENER FLANGE



**TYPE II**

**NOTE:**  
STIFFENER MUST EXTEND TO  
WITHIN 1/8" OF TOP AND  
BOTTOM FLANGE OF JOIST.

FASTEN JOIST TO BEARING  
SUPPORT WITH APPROPRIATE  
FASTENER



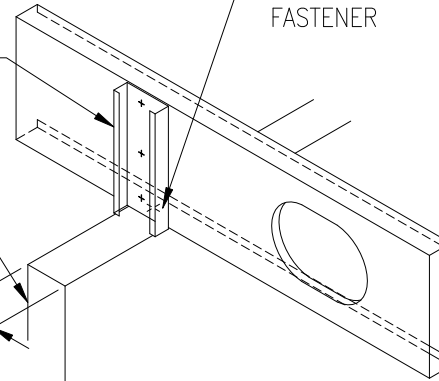
**TYPE III**

ClarkDietrich BUILDING SYSTEMS  
4" TSB 14ga. (400T125-68),  
33ksi OR 3-5/8" CSJ 16ga.  
(362S162-54), 50ksi WEB STIFFENER  
WITH (3) SCREWS AS REQUIRED, TO JOIST

FASTEN JOIST TO BEARING  
SUPPORT WITH APPROPRIATE  
FASTENER

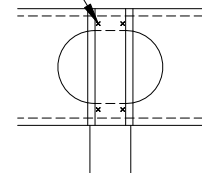
BEARING SUPPORT  
BY OTHERS

3-1/2"(MIN)  
BEARING



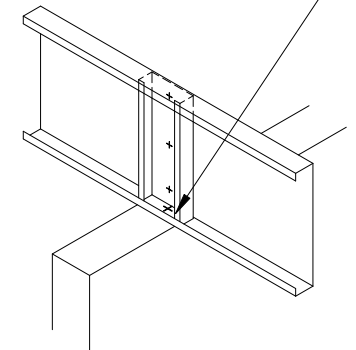
**TYPE I**

(4) SCREWS AS REQUIRED, TO JOIST



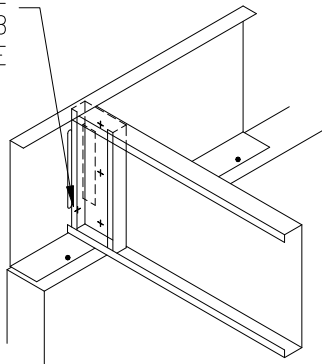
**TYPE I - @ KNOCKOUT**

FASTEN JOIST TO BEARING  
SUPPORT WITH APPROPRIATE  
FASTENER



**TYPE V**

(1) SCREWS AS REQUIRED,  
THROUGH BASE  
OF RIM TO WEB  
STIFFENER FLANGE



**TYPE IV**

# WEB STIFFENER – STANDARD

F1300

ClarkDietrich TradeReady Floor Joist System