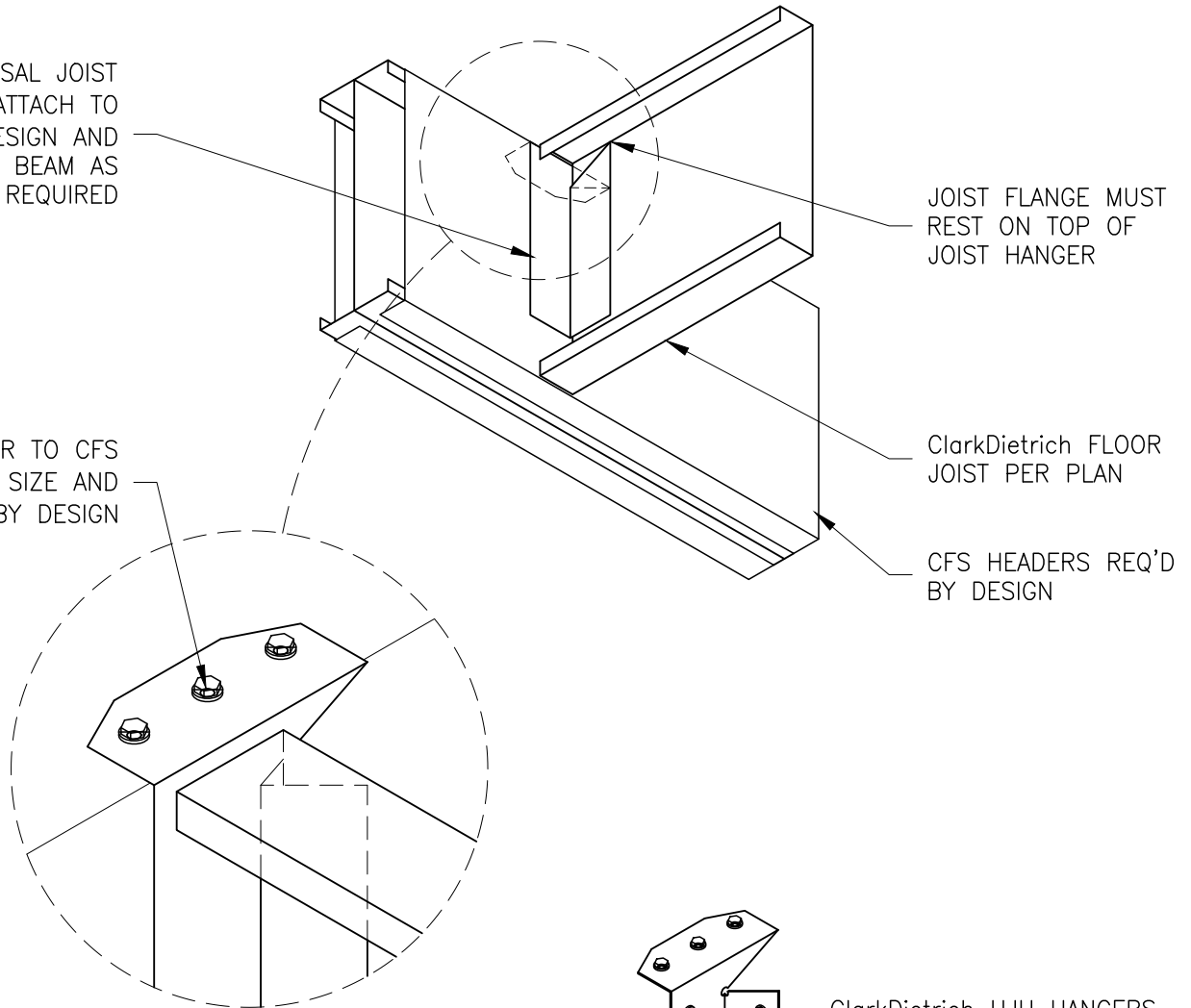


ClarkDietrich UNIVERSAL JOIST HANGER (UJH). ATTACH TO JOIST AS REQ'D BY DESIGN AND ATTACH TO STEEL BEAM AS REQUIRED

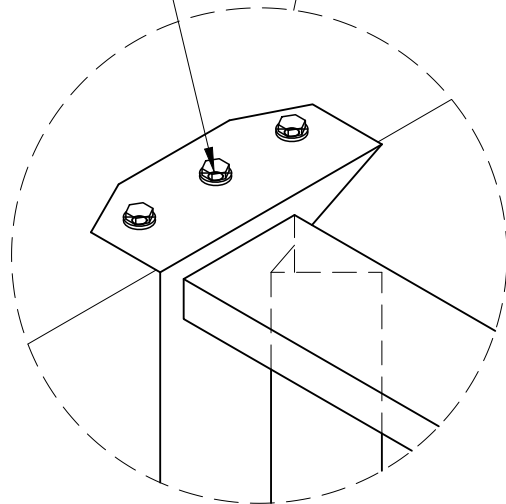
ATTACH UJH HANGER TO CFS HEADER W/ SCREWS. SIZE AND QUANTITY AS REQ'D BY DESIGN



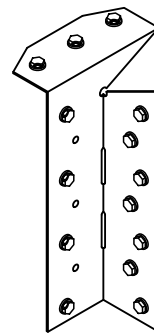
JOIST FLANGE MUST REST ON TOP OF JOIST HANGER

ClarkDietrich FLOOR JOIST PER PLAN

CFS HEADERS REQ'D BY DESIGN



VIEW FROM TOP



ClarkDietrich UJH HANGERS ARE AVAILABLE IN 68 MILS (14GA) OR 97 MILS (12GA)

UNIVERSAL JOIST HANGER UJH — 3

ATTACHED TO CFS HEADER WITH SCREWS



Engineering Services: (877) 832-3206

Technical Services: (888) 437-3244

The CAD detail library is intended to provide general framing details only and does not replace the judgments and designs of a qualified architect and/or engineer. The details are provided as a starting tool to assist the user in creating and detailing cold-formed steel framing construction details. Each detail including accompanying text must be thoroughly evaluated and approved by a qualified architect or engineer. | Find over 500 CAD details at cad.clarkdietrich.com | © Copyright 2020 ClarkDietrich