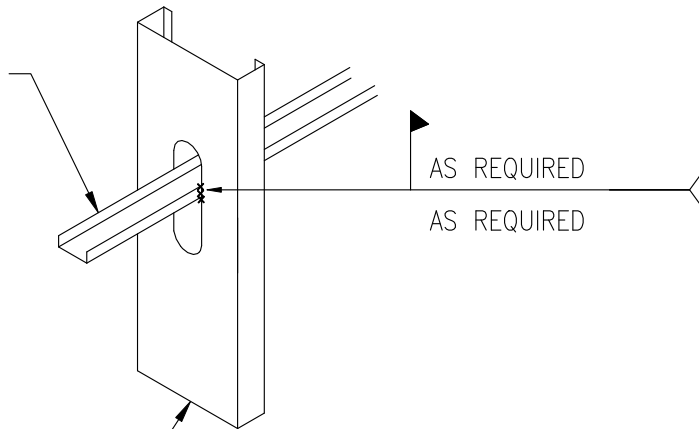


ClarkDietrich BUILDING SYSTEMS
1-1/2" x 16ga. U-CHANNEL
BRIDGING, VERTICAL SPACING
AS REQUIRED



ClarkDietrich BUILDING SYSTEMS
TYPICAL STUD, SIZE AND
GAGE AS REUIRED

NOTE:
MAXIMUM 6" STUD DEPTH WITH DIRECT
WELD DETAIL

U CHANNEL BRIDGING CONNECTION 2



ClarkDietrich
BUILDING SYSTEMS

Engineering Services: (877) 832-3206

Technical Services: (888) 437-3244