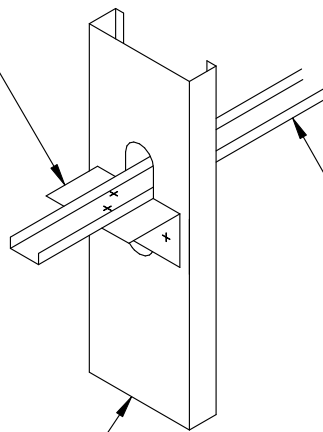


ClarkDietrich BUILDING SYSTEMS
1-1/2" x 1-1/2" x 16ga., CLIP ANGLE
FASTENED W/ (4) SCREWS AS REQUIRED,
SHOWN: ANGLE LENGTH SHALL NOT BE
LESS THAN STUD DEPTH, MINUS 1/2"



ClarkDietrich BUILDING SYSTEMS
1-1/2" x 16ga., U-CHANNEL
BRIDGING SPACING AS REQUIRED

ClarkDietrich BUILDING SYSTEMS
TYPICAL STUD, SIZE AND
GAGE AS REQUIRED

U CHANNEL BRIDGING CONNECTION



ClarkDietrich
BUILDING SYSTEMS

Engineering Services: (877) 832-3206

Technical Services: (888) 437-3244

The CAD detail library is intended to provide general framing details only and does not replace the judgments and designs of a qualified architect and/or engineer. The details are provided as a starting tool to assist the user in creating and detailing cold-formed steel framing construction details. Each detail including accompanying text must be thoroughly evaluated and approved by a qualified architect or engineer. | Find over 500 CAD details at cad.clarkdietrich.com | © Copyright 2015 ClarkDietrich Building Systems