

The CAD detail library is intended to provide general framing details only and does not replace the judgment and design of a qualified architect and/or engineer. The details are provided on a standing tool to assist the user in creating and detailing cold-formed steel framing construction details. Each detail including accompanying text must be thoroughly evaluated and approved by a qualified architect or engineer. Find over 500 CAD details at coldformedsteel.com Copyright 2015 ClarkDietrich Building Systems

- NOTES:**
- 1) ATTACH SHEATHING TO BLOCKING W/ (4) #8 SCREWS OR EQUIVALENT.
 - 2) BLOCK LENGTH SHALL BE 1/8" (MIN.) TO 1" (MAX.) SHORTER THAN JOIST SPACE.
 - 3) SPACE BLOCKS @ 12" o.c. (MAX.), AND EA. END OF JOIST RUN.

TABLE T.1

SUPPORT TYPE	SUGGESTED FASTENER
STRUCTURAL STEEL, CONCRETE, OR CMU BEARING	0.145" P.D.F.
WOOD	#8(MIN) APPROPRIATE SCREW
LIGHT GAUGE METAL FRAMING	#10-16 SCREWS

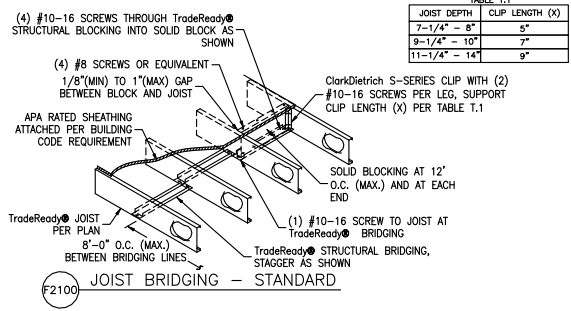
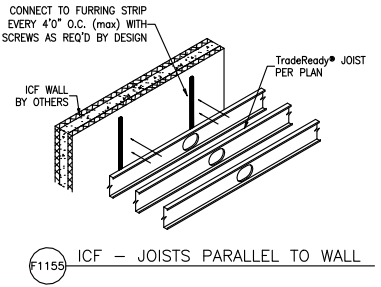
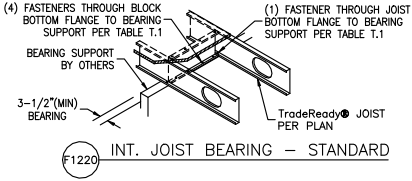
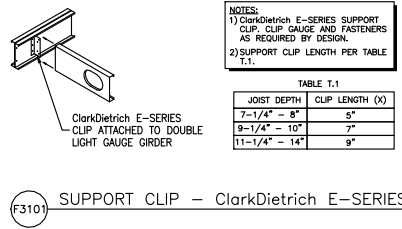
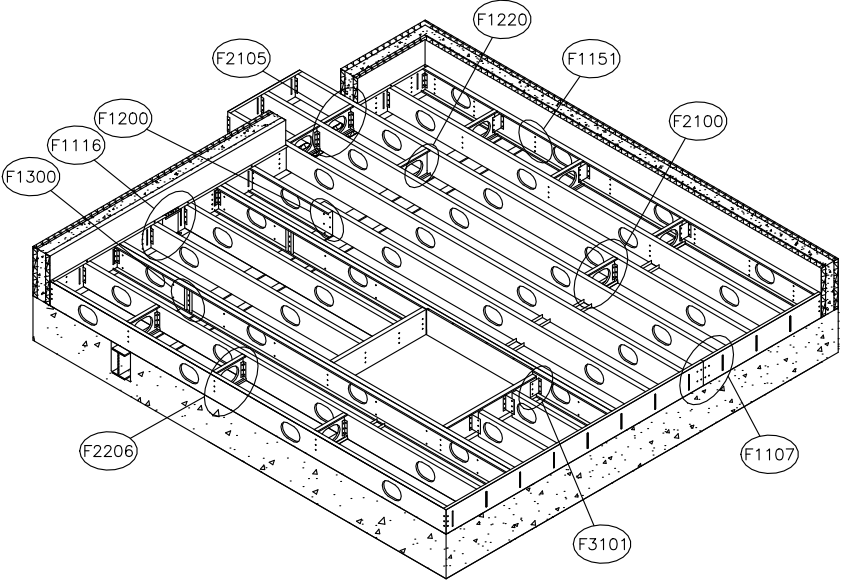
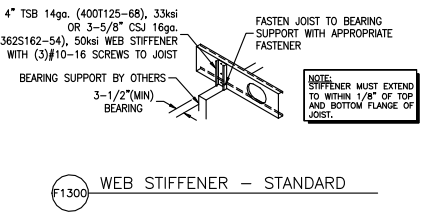


TABLE T.1

JOIST DEPTH	CLIP LENGTH (X)
7-1/4" - 8"	5"
9-1/4" - 10"	7"
11-1/4" - 14"	9"



NOTES:

- 1) ClarkDietrich E-SERIES SUPPORT CLIP, CLIP GAUGE AND FASTENERS AS REQUIRED BY DESIGN.
- 2) SUPPORT CLIP LENGTH PER TABLE T.1.

TABLE T.1

JOIST DEPTH	CLIP LENGTH (X)
7-1/4" - 8"	5"
9-1/4" - 10"	7"
11-1/4" - 14"	9"

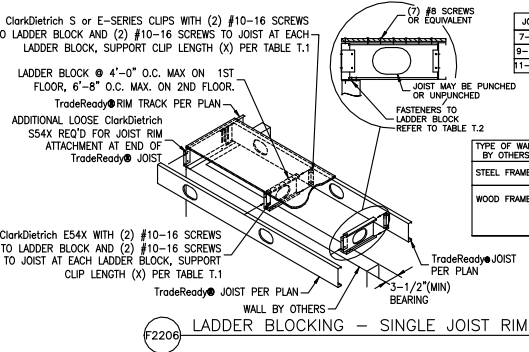
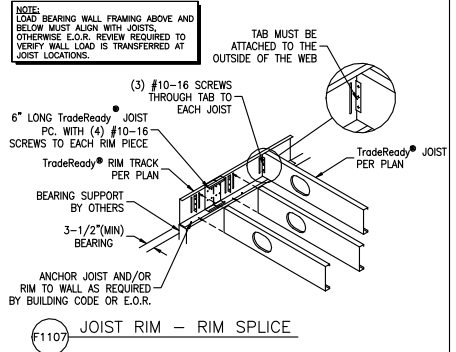
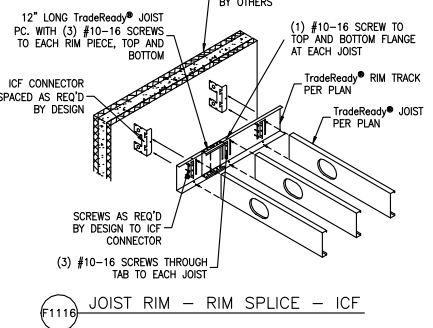
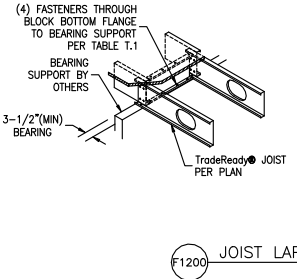


TABLE T.1

JOIST DEPTH	CLIP LENGTH (X)
7-1/4" - 8"	5"
9-1/4" - 10"	7"
11-1/4" - 14"	9"

TABLE T.2

TYPE OF WALL BY OTHERS	(#) OF FASTENERS
STEEL FRAMED	(4) #10-16 SCREWS MIN. SPACING & EDGE DIST. = 1/2"
WOOD FRAMED	(5) COMMON NAILS #84 OR #8 WOOD SCREWS (1-1/2") MIN. EDGE DIST. = 1/2" o.c. SPACING = 1/2" o.c.



- NOTES:**
- 1) ATTACH BLOCKING TO SHEATHING W/ (4) #8 SCREWS OR EQUIVALENT.
 - 2) BLOCK LENGTH SHALL BE 1/8" (MIN.) TO 1" (MAX.) SHORTER THAN JOIST SPACE.
 - 3) SPACE BLOCKS @ 12" o.c. (MAX.), AND EA. END OF JOIST RUN.
 - 4) USE (4) # 10-16 SCREWS AS SHOWN AT JOIST LAP.

TABLE T.1

SUPPORT TYPE	SUGGESTED FASTENER
STRUCTURAL STEEL, CONCRETE, OR CMU BEARING	0.145" P.D.F.
WOOD	#8(MIN) APPROPRIATE SCREW
LIGHT GAUGE METAL FRAMING	#10-16 SCREWS

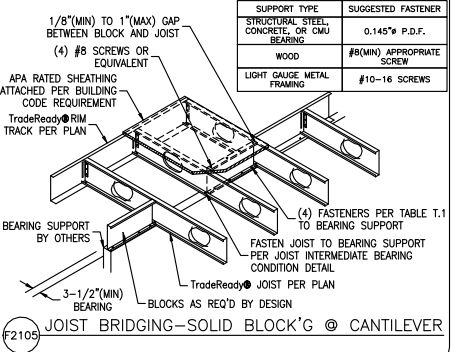


TABLE T.1

SUPPORT TYPE	SUGGESTED FASTENER
STRUCTURAL STEEL, CONCRETE, OR CMU BEARING	0.145" P.D.F.
WOOD	#8(MIN) APPROPRIATE SCREW
LIGHT GAUGE METAL FRAMING	#10-16 SCREWS