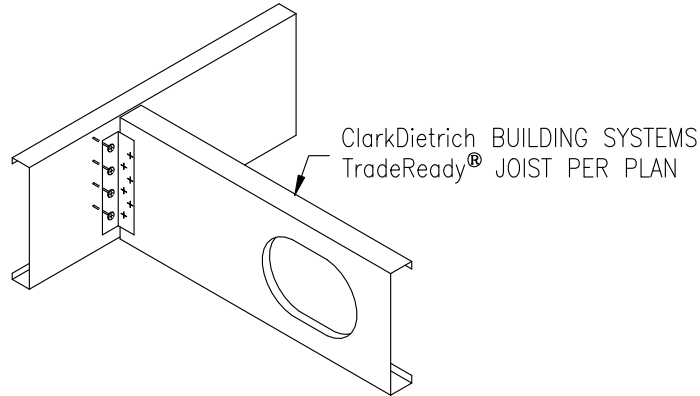
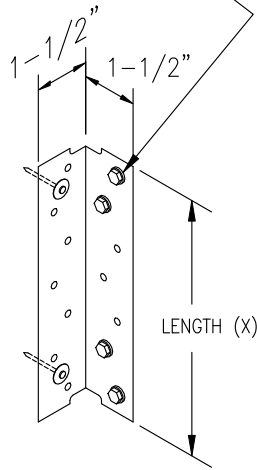
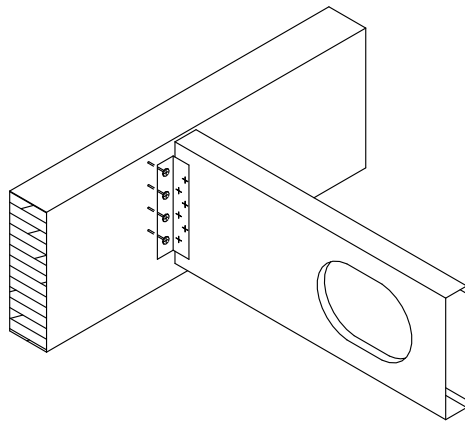


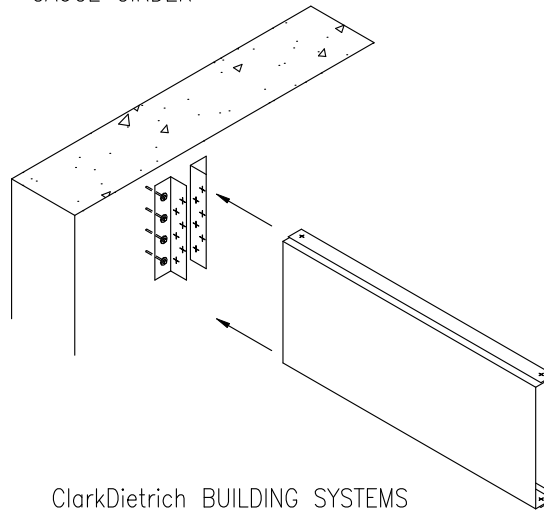
USE #10 (MIN.) SELF DRILLING SCREWS INSTALLED THROUGH CLIP HOLES TO LIGHT GAUGE FRAMING. PLACE FASTENERS IN A SYMMETRIC MANNER FROM THE OUTSIDE—IN AS SHOWN



ClarkDietrich BUILDING SYSTEMS S-SERIES SUPPORT CLIP ATTACHED TO LIGHT GAUGE GIRDER



ClarkDietrich BUILDING SYSTEMS S-SERIES SUPPORT CLIP ATTACHED TO WOOD GIRDER



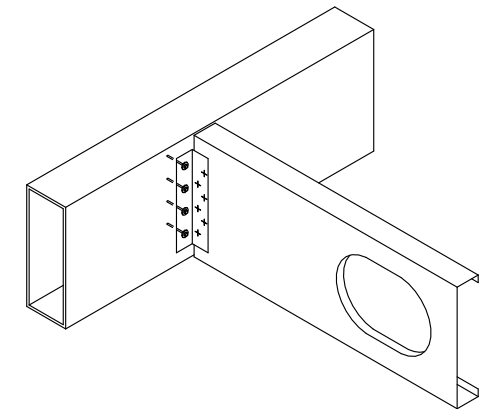
ClarkDietrich BUILDING SYSTEMS DOUBLE S-SERIES SUPPORT CLIP ATTACHED TO CONCRETE

NOTES:

- 1) ClarkDietrich S-SERIES SUPPORT CLIP. CLIP GAUGE AND FASTENERS AS REQUIRED BY DESIGN.
- 2) SUPPORT CLIP LENGTH PER TABLE T.1.

TABLE T.1

JOIST DEPTH	CLIP LENGTH (X)
7-1/4" - 8"	5"
9-1/4" - 10"	7"
11-1/4" - 14"	9"



ClarkDietrich BUILDING SYSTEMS S-SERIES SUPPORT CLIP ATTACHED TO TUBE STEEL GIRDER


SUPPORT CLIP – ClarkDietrich S-SERIES

 ClarkDietrich TradeReady Floor Joist System