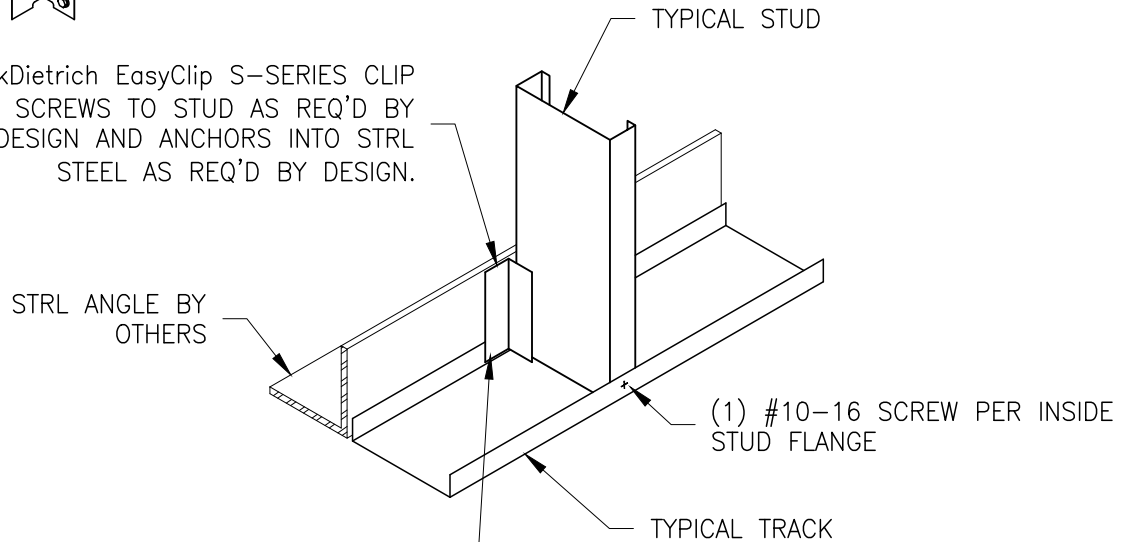


ClarkDietrich EasyClip S-SERIES CLIP
WITH SCREWS TO STUD AS REQ'D BY
DESIGN AND ANCHORS INTO STRL
STEEL AS REQ'D BY DESIGN.



NOTE:
THIS FASTENER MUST BE
INSTALLED THROUGH THE
CONNECTOR LEG AND THE TRACK
FLANGE TO THE STRL ANGLE.

STUD CONNECTION TO STRUCTURAL ANGLE & TRACK

WITH EasyClip S-Series CLIP



Engineering Services: (877) 832-3206

Technical Services: (888) 437-3244