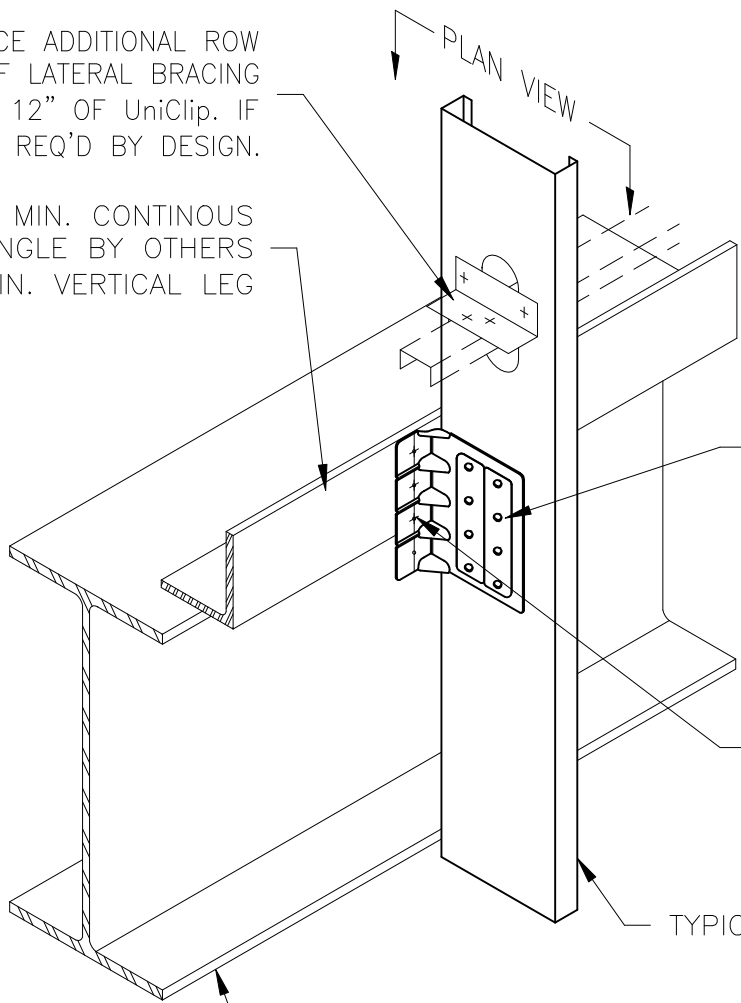


PLACE ADDITIONAL ROW OF LATERAL BRACING WITHIN 12" OF UniClip. IF REQ'D BY DESIGN.

3/16" MIN. CONTINUOUS STR. ANGLE BY OTHERS  
3" MIN. VERTICAL LEG

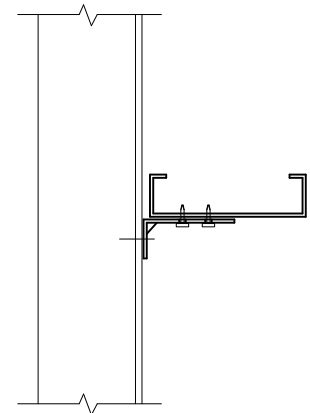


ClarkDietrich BUILDING SYSTEMS  
UNI-CLIP ATTACHED TO STUD AS  
REQ'D BY DESIGN.

ATTACH TO ANGLE AS  
REQ'S BY DESIGN.

TYPICAL STUD

STRUCTURAL STEEL  
BY OTHERS



PLAN VIEW

## STUD CONNECTION WITH UNI-CLIP



**ClarkDietrich**  
BUILDING SYSTEMS

Engineering Services: (877) 832-3206

Technical Services: (888) 437-3244

The CAD detail library is intended to provide general framing details only and does not replace the judgments and designs of a qualified architect and/or engineer. The details are provided as a starting tool to assist the user in creating and detailing cold-formed steel framing construction details. Each detail including accompanying text must be thoroughly evaluated and approved by a qualified architect or engineer. | Find over 500 CAD details at [cad.clarkdietrich.com](http://cad.clarkdietrich.com) | © Copyright 2015 ClarkDietrich Building Systems