



9100 Centre Pointe Dr.
Suite 210
West Chester, OH 45088
Phone: (513) 870-9100

ClarkDietrich
BUILDING SYSTEMS

Engineering Services: (877) 832-3206

TradeReady® FLOOR DETAILS

Technical Services: (888) 437-3244

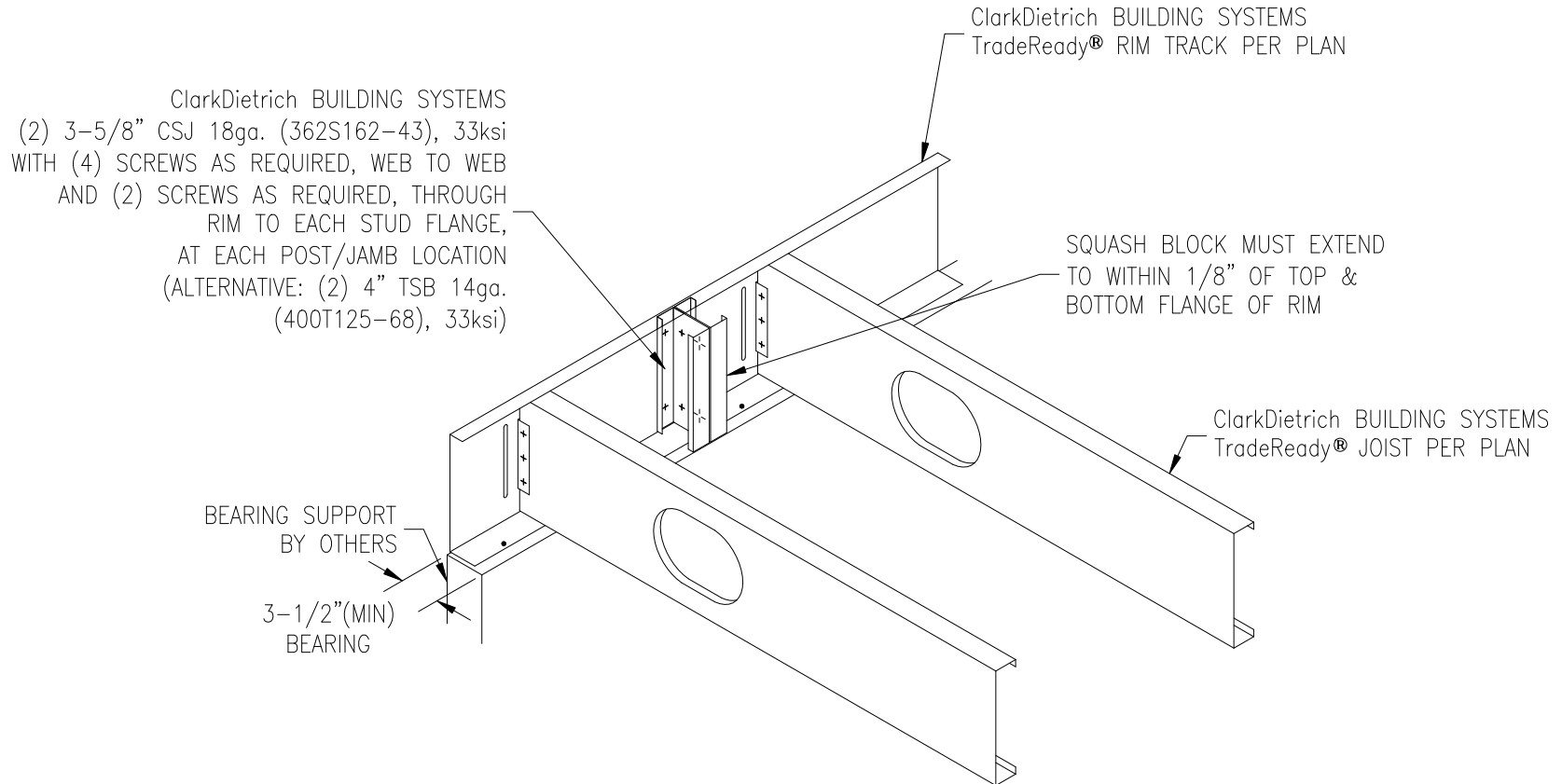
DRAWING:
F1320

NOTE:

LOAD BEARING WALL FRAMING ABOVE AND BELOW MUST ALIGN WITH JOISTS, OTHERWISE E.O.R. REVIEW REQUIRED TO VERIFY WALL LOAD IS TRANSFERRED AT JOIST LOCATIONS.

NOTE:

SQUASH BLOCK CAPACITY = 6697 lbs.
IF ACTUAL LOADS EXCEED CAPACITY,
FURTHER ENGINEERING REVIEW IS REQUIRED.



F1320

SQUASH BLOCK – STANDARD

ClarkDietrich TradeReady Floor Joist System