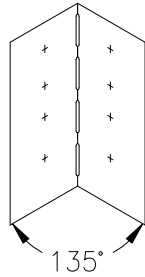
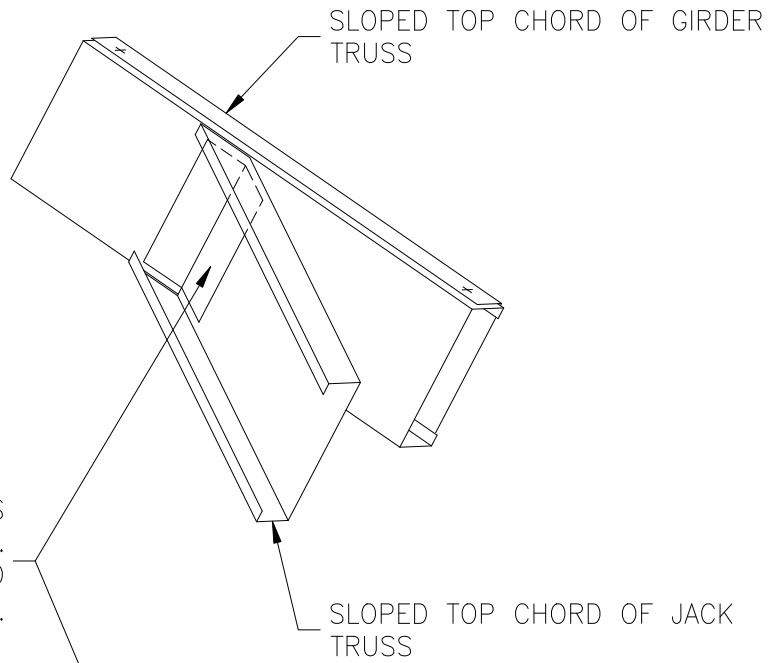


PLAN

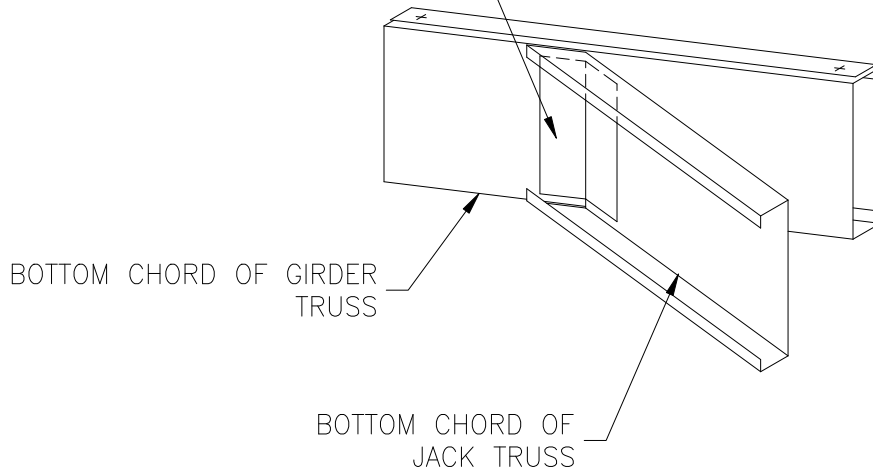


ClarkDietrich BUILDING SYSTEMS
SKEWABLE ANGLE.
FIELD BEND AND ATTACH TO
CHORDS AS REQ'D BY DESIGN.



SLOPED TOP CHORD OF GIRDER TRUSS

SLOPED TOP CHORD OF JACK TRUSS



BOTTOM CHORD OF GIRDER TRUSS

BOTTOM CHORD OF JACK TRUSS

SKEWABLE ANGLE ROOF-2



ClarkDietrich
BUILDING SYSTEMS

Engineering Services: (877) 832-3206

Technical Services: (888) 437-3244