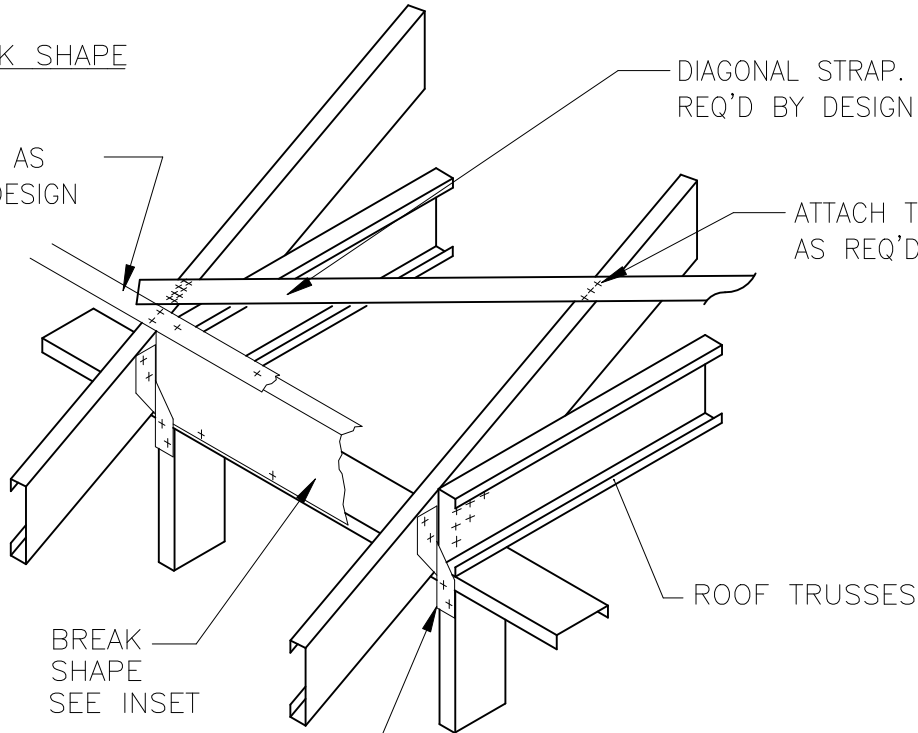


BREAK SHAPE

FLAT STRAP AS
REQ'D BY DESIGN

DIAGONAL STRAP. ATTACH AS
REQ'D BY DESIGN

ATTACH TO EACH TRUSS
AS REQ'D BY DESIGN



BREAK
SHAPE
SEE INSET

ROOF TRUSSES

ClarkDietrich SEISMIC AND HURRICANE TIES.
SYSTEM AND CONNECTION AS REQ'D BY
DESIGN.

ROOF TRUSS BLOCKING



ClarkDietrich
BUILDING SYSTEMS

Engineering Services: (877) 832-3206

Technical Services: (888) 437-3244

The CAD detail library is intended to provide general framing details only and does not replace the judgments and designs of a qualified architect and/or engineer. The details are provided as a starting tool to assist the user in creating and detailing cold-formed steel framing construction details. Each detail including accompanying text must be thoroughly evaluated and approved by a qualified architect or engineer. | Find over 500 CAD details at cad.clarkdietrich.com | © Copyright 2015 ClarkDietrich Building Systems