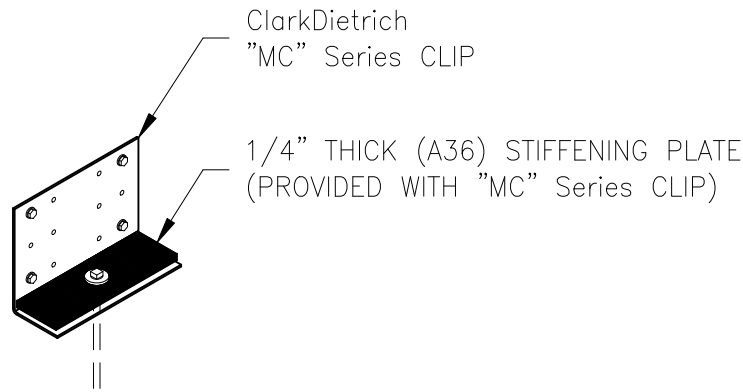
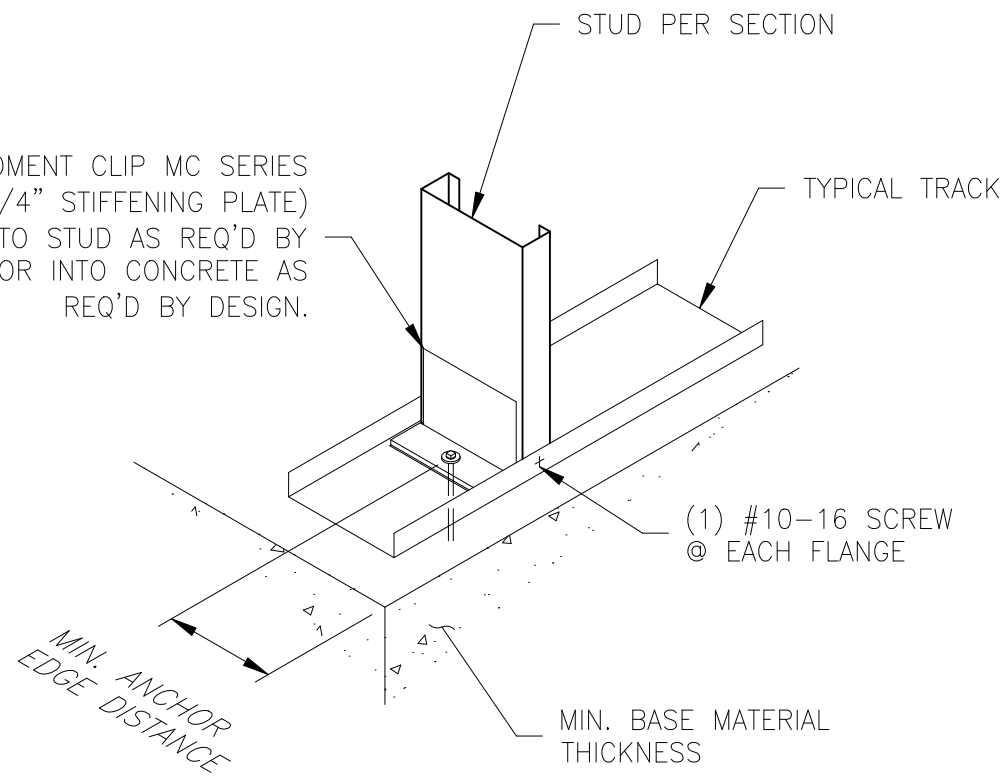


DESIGN/APPLICATION NOTES:

- REF. ANCHOR MFR FOR EDGE DISTANCE AND BASE MAT'L REQUIREMENTS.
- WHEN USING CLIP ON "OPEN" SIDE OF STUDS, USE NEXT SIZE DOWN (I.E. USE MC683 ON 6" STUDS, ETC.)



ClarkDietrich MOMENT CLIP MC SERIES  
(WITH PROVIDED 1/4" STIFFENING PLATE)  
W/ SCREWS TO STUD AS REQ'D BY  
DESIGN AND ANCHOR INTO CONCRETE AS  
REQ'D BY DESIGN.



## MOMENT CLIP CONNECTION DETAIL 1



Engineering Services: (877) 832-3206

Technical Services: (888) 437-3244