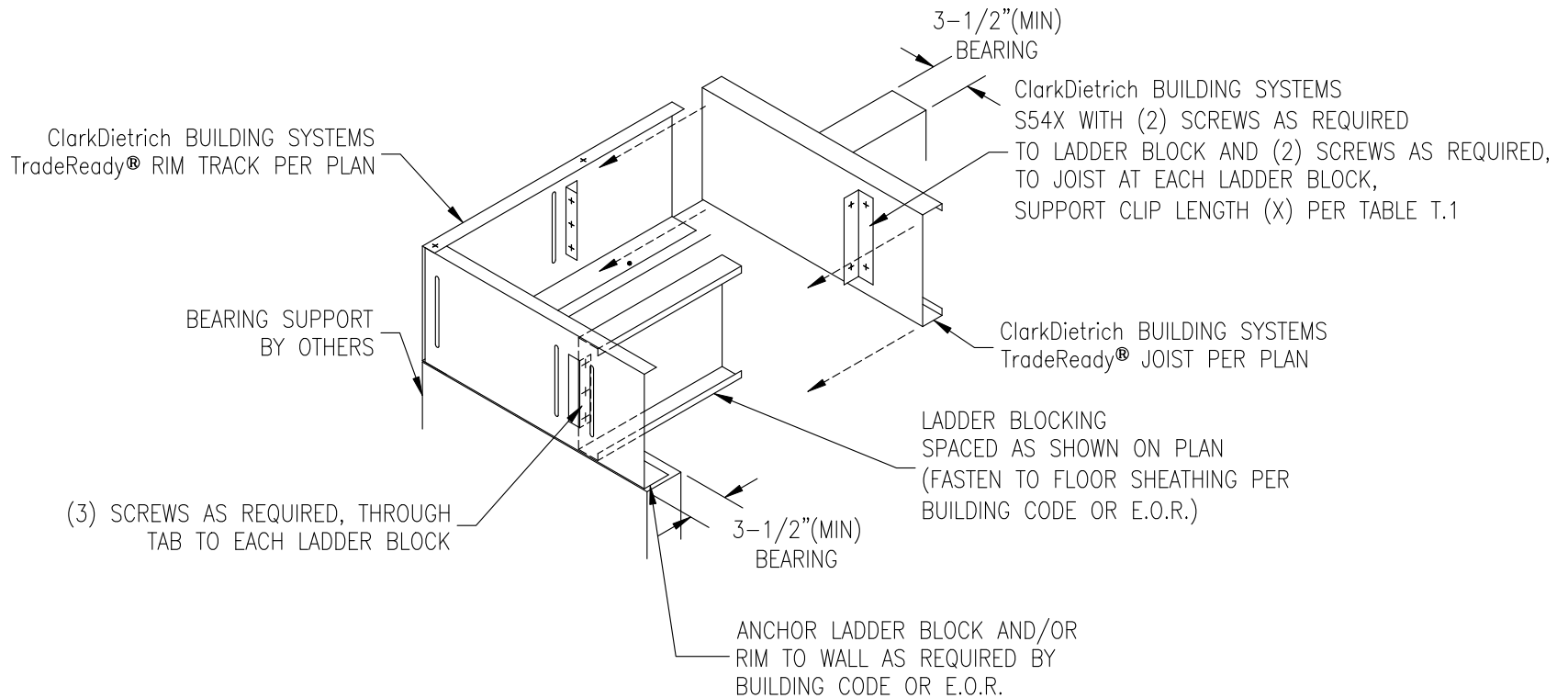


NOTE:
 LOAD BEARING WALL FRAMING ABOVE AND BELOW MUST ALIGN WITH LADDER BLOCKS, OTHERWISE E.O.R. REVIEW REQUIRED TO VERIFY WALL LOAD IS TRANSFERRED AT LADDER BLOCK LOCATIONS.

TABLE T.1

JOIST DEPTH	CLIP LENGTH (X)
7-1/4" - 8"	5"
9-1/4" - 10"	7"
11-1/4" - 14"	9"



(F2201) **LADDER BLOCKING – STANDARD W/OUT TDSB**
 ClarkDietrich TradeReady Floor Joist System