

TABLE T.1

JOIST DEPTH	CLIP LENGTH (X)
7-1/4" - 8"	5"
9-1/4" - 10"	7"
11-1/4" - 14"	9"

ADDITIONAL LOOSE ClarkDietrich BUILDING SYSTEMS
S54X REQ'D FOR JOIST RIM ATTACHMENT
AT BOTH ENDS OF JOIST RIM

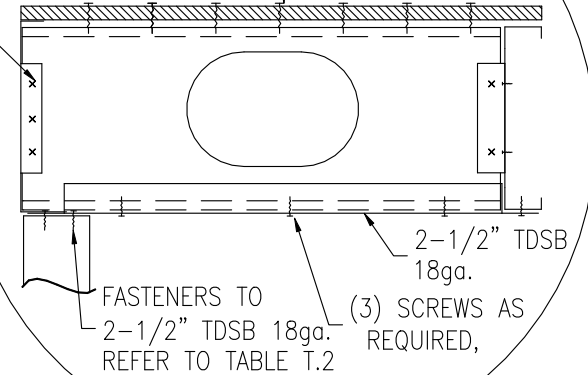
(3) SCREWS AS REQUIRED,
THRU TAB INTO
LADDER BLOCKING

ClarkDietrich BUILDING SYSTEMS
TradeReady® RIM TRACK PER PLAN

LADDER BLOCK @ 4'-0" O.C. MAX

ClarkDietrich BUILDING SYSTEMS
S54X OR E54X WITH (2) SCREWS
AS REQUIRED, TO LADDER BLOCK AND
(2) SCREWS AS REQUIRED, TO
JOIST AT EACH LADDER BLOCK,
SUPPORT CLIP LENGTH (X) PER TABLE T.1

(7) SCREWS AS
REQUIRED, OR
EQUIVALENT



ClarkDietrich BUILDING SYSTEMS
TradeReady® JOIST REFER TO PLAN
TABLE T.2

TYPE OF WALL BY OTHERS	(#) OF FASTENERS
STEEL FRAMED	(4) #10-16 SCREWS
WOOD FRAMED	(5) COMMON NAILS 8d SPACING PER UBC REQUIREMENTS

ClarkDietrich BUILDING SYSTEMS
TradeReady® RIM TRACK PER PLAN

WALL BY OTHERS

3-1/2"(MIN)
BEARING

F2200 LADDER BLOCKING - STANDARD
ClarkDietrich TradeReady Floor Joist System