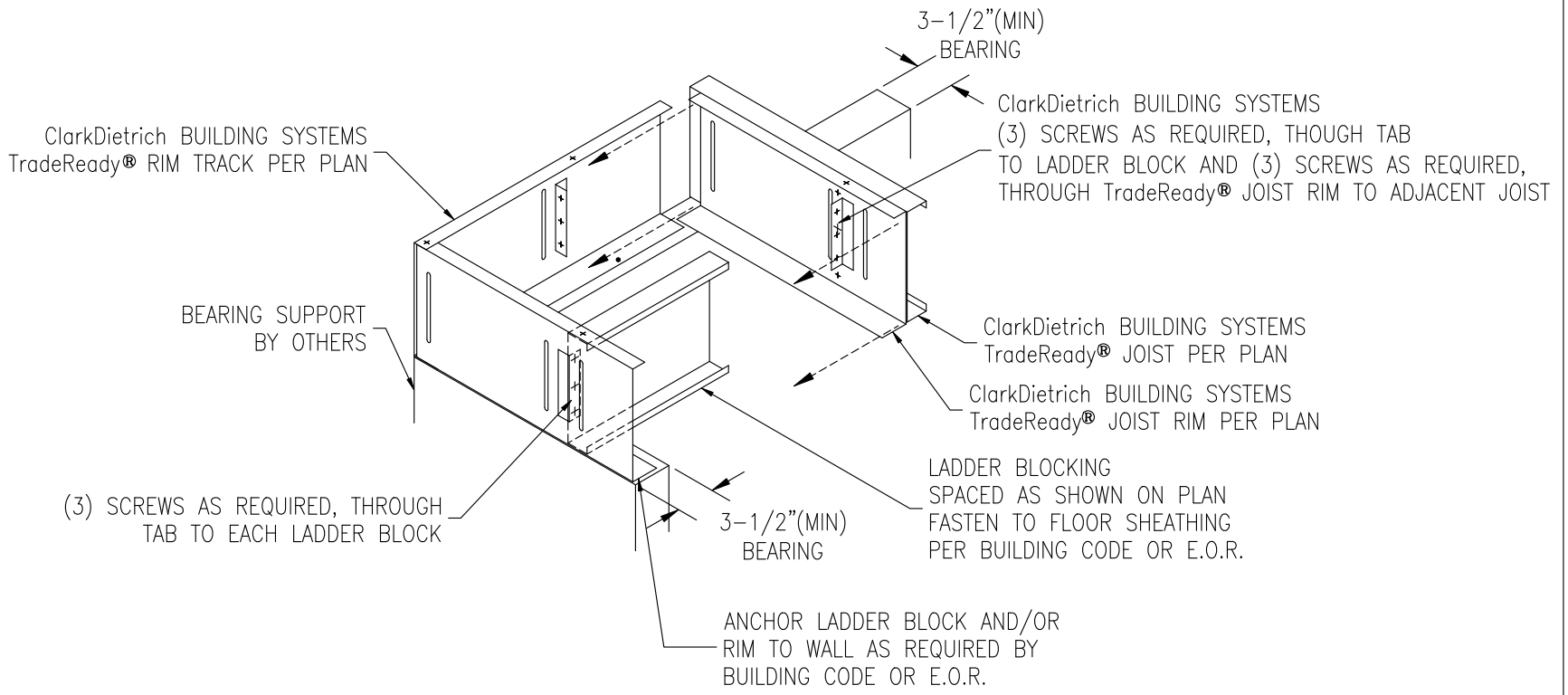


NOTE:
 LOAD BEARING WALL FRAMING ABOVE AND BELOW MUST ALIGN WITH LADDER BLOCKS, OTHERWISE E.O.R. REVIEW REQUIRED TO VERIFY WALL LOAD IS TRANSFERRED AT LADDER BLOCK LOCATIONS.



F2205

LADDER BLOCKING – RIM-BACKED JOIST

ClarkDietrich TradeReady Floor Joist System