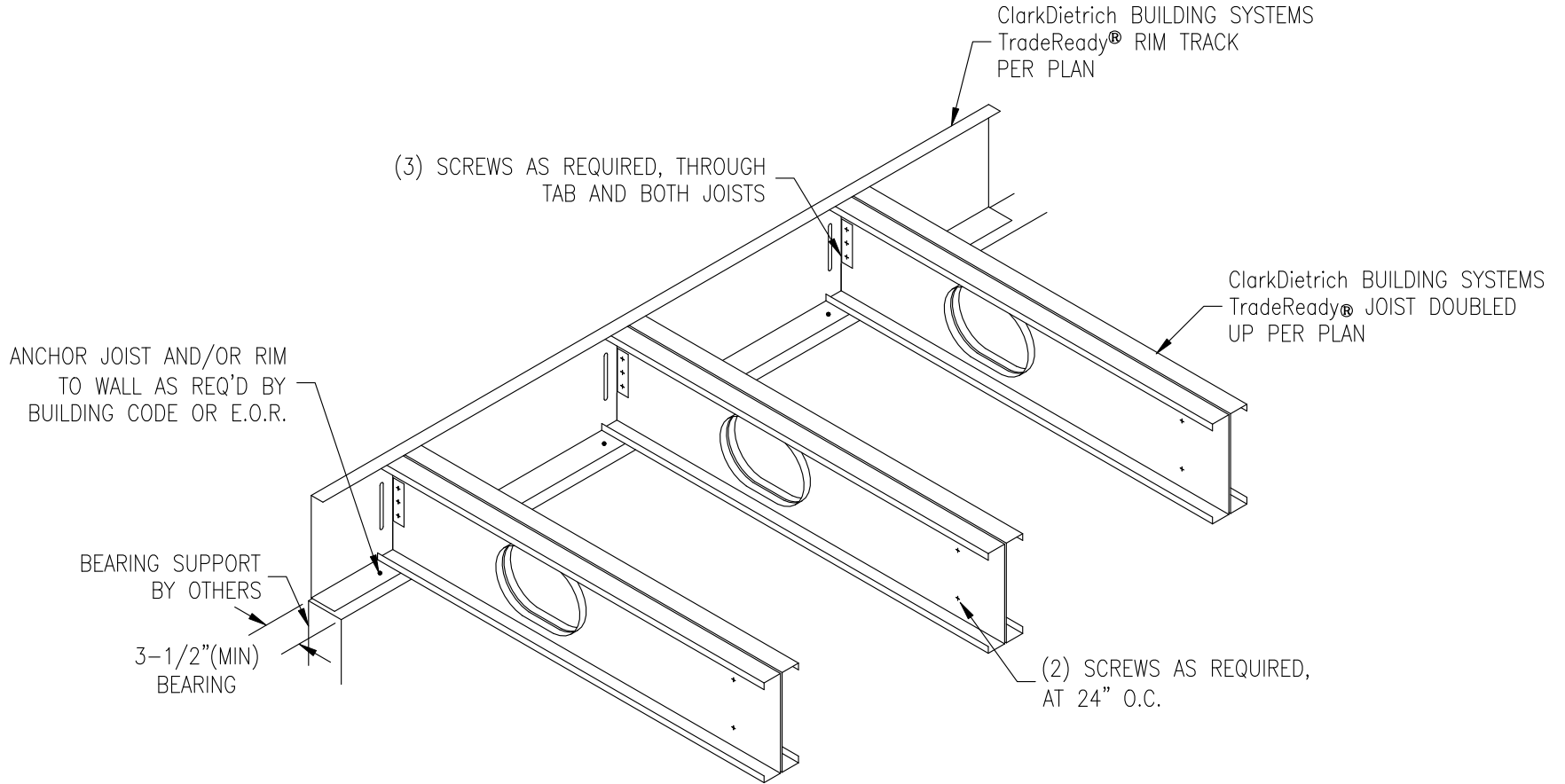


NOTE:

LOAD BEARING WALL FRAMING ABOVE AND BELOW MUST ALIGN WITH JOISTS, OTHERWISE E.O.R. REVIEW REQUIRED TO VERIFY WALL LOAD IS TRANSFERRED AT JOIST LOCATIONS.



F1103

JOIST RIM — DOUBLE JOISTS

ClarkDietrich TradeReady Floor Joist System