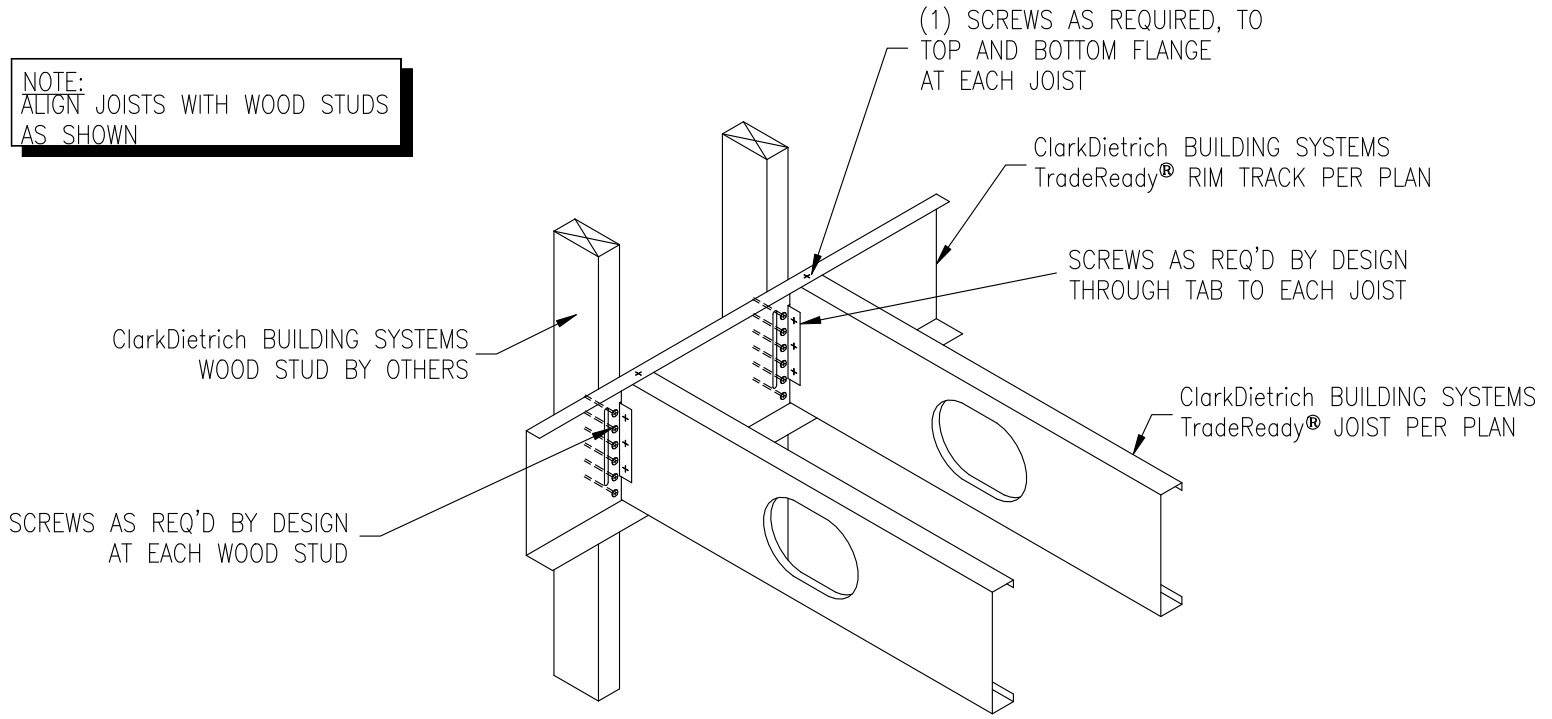


**NOTE:**  
ALIGN JOISTS WITH WOOD STUDS  
AS SHOWN



F1109

# JOIST RIM — WOOD WALL — BALLOON

ClarkDietrich TradeReady Floor Joist System

DRAWING:  
**F1109**