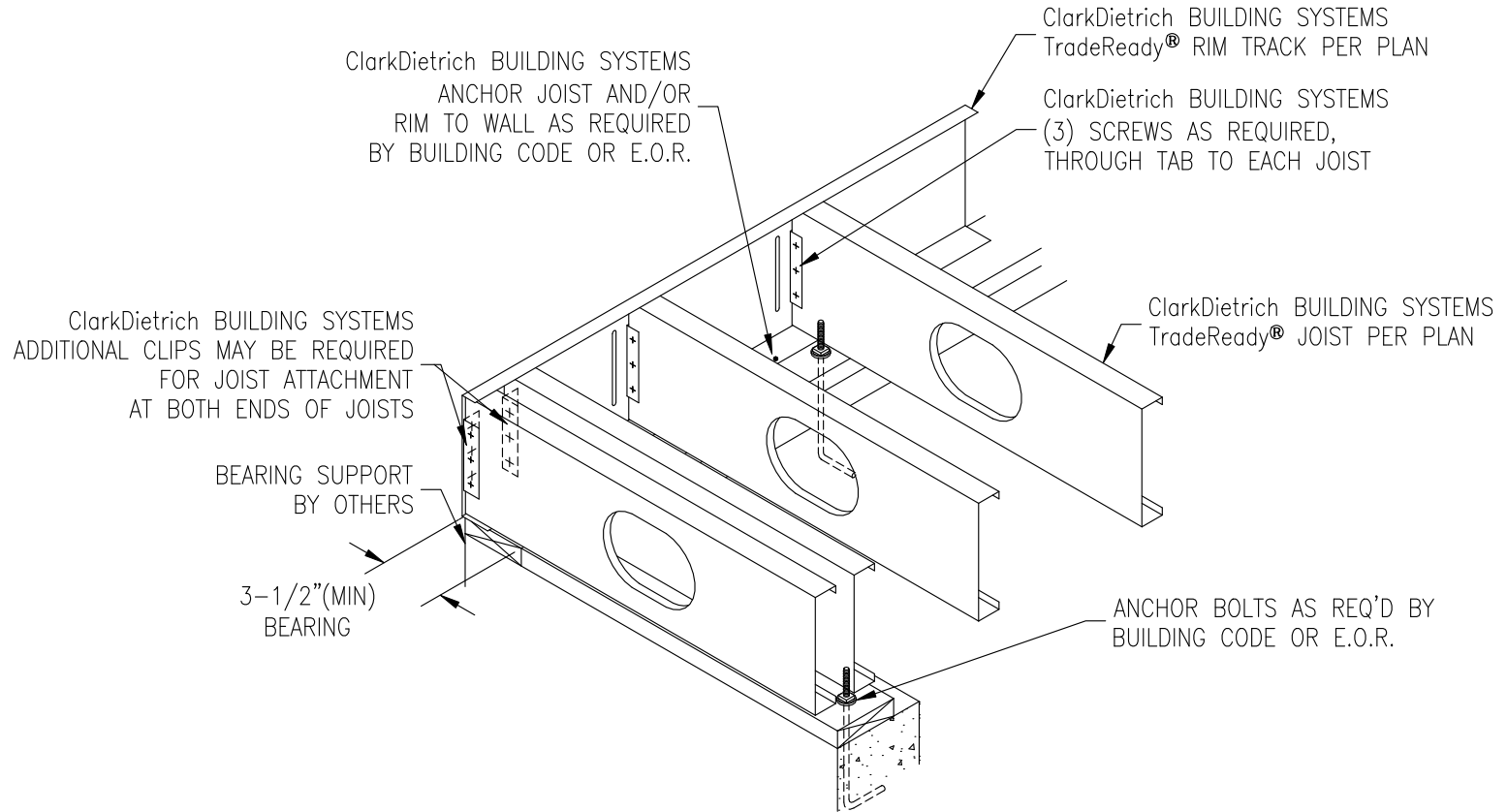


**NOTE:**  
 LOAD BEARING WALL FRAMING ABOVE AND BELOW  
 MUST ALIGN WITH JOISTS, OTHERWISE E.O.R.  
 REVIEW REQUIRED TO VERIFY WALL LOAD IS  
 TRANSFERRED AT JOIST LOCATIONS.



F1101 **JOIST RIM – WOOD SILL PLATE**  
 ClarkDietrich TradeReady Floor Joist System