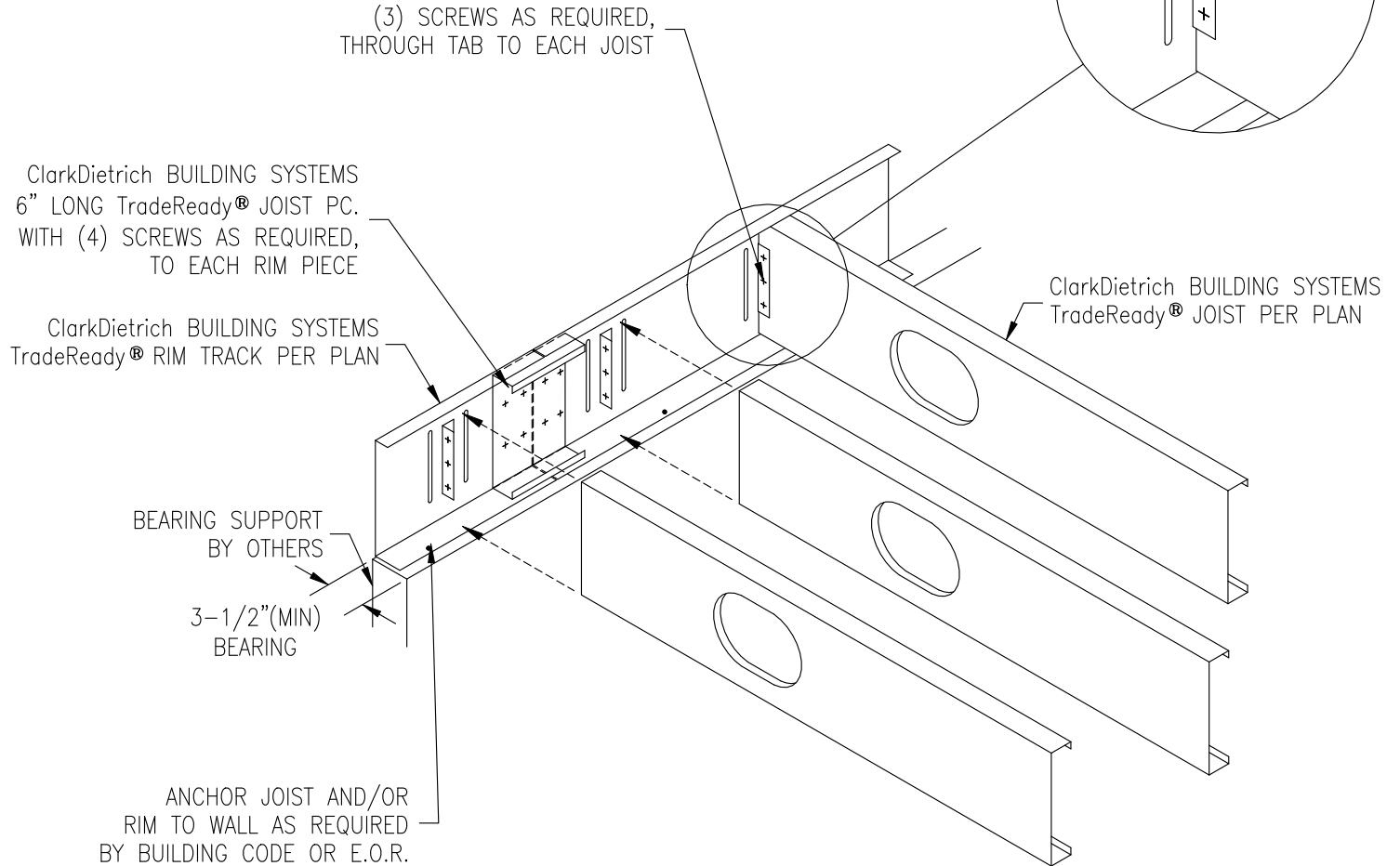


NOTE:

LOAD BEARING WALL FRAMING ABOVE AND BELOW MUST ALIGN WITH JOISTS, OTHERWISE E.O.R. REVIEW REQUIRED TO VERIFY WALL LOAD IS TRANSFERRED AT JOIST LOCATIONS.

TAB MUST BE ATTACHED TO THE OUTSIDE OF THE WEB



F1107

JOIST RIM – RIM SPLICE

 ClarkDietrich TradeReady Floor Joist System