

ANCHOR BOLTS SIZE AND SPACING AS REQUIRED BY DESIGN. (STAGGER HIGH/LOW AS SHOWN)

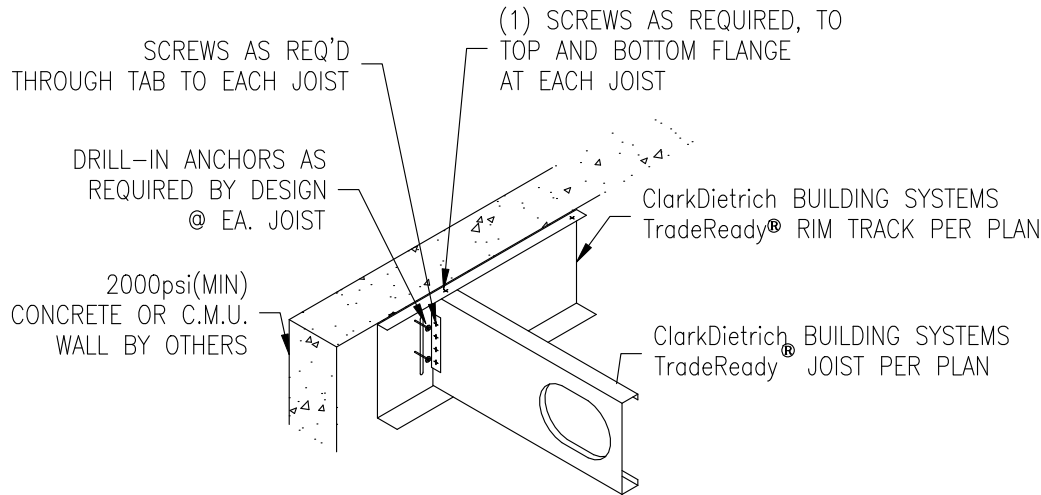
2000psi(MIN) CONCRETE OR C.M.U. WALL BY OTHERS

SCREWS AS REQ'D THROUGH TAB TO EACH JOIST

ClarkDietrich BUILDING SYSTEMS TradeReady® RIM TRACK PER PLAN

(1) SCREWS AS REQUIRED TO TOP AND BOTTOM FLANGE AT EACH JOIST

ClarkDietrich BUILDING SYSTEMS TradeReady® JOIST PER PLAN



F1113
   
**JOIST RIM — CMU WALL — BALLOON**
  
 ClarkDietrich TradeReady Floor Joist System