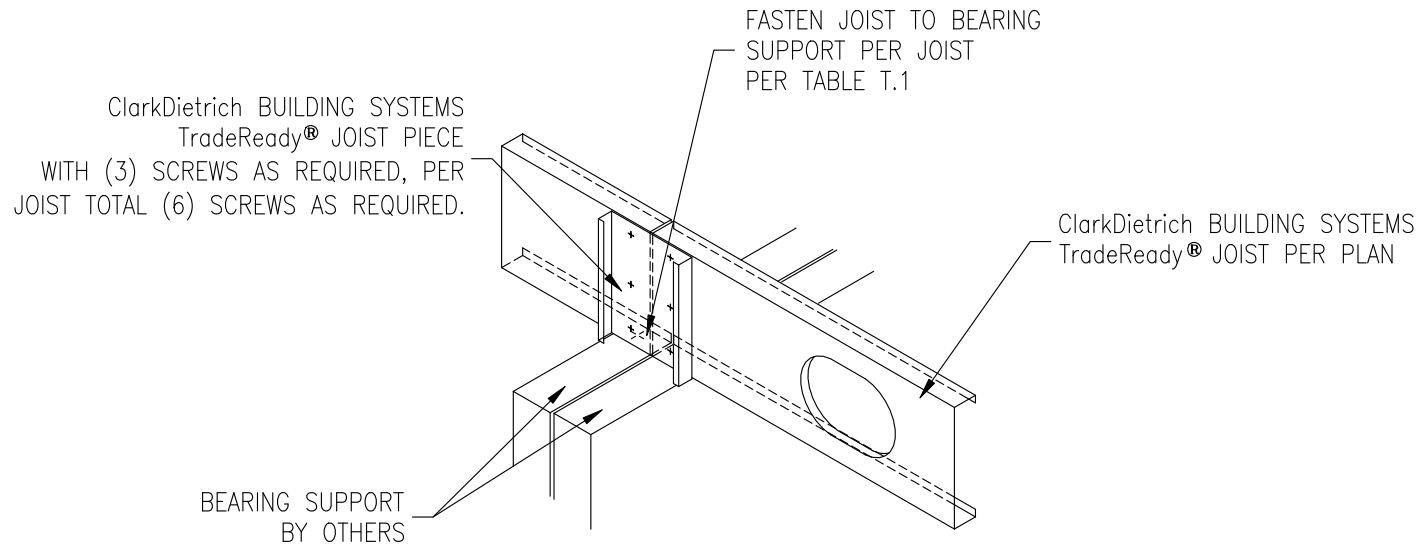


TABLE T.1

SUPPORT TYPE	SUGGESTED FASTENER
STRUCTURAL STEEL, CONCRETE, OR CMU BEARING	0.145"Ø P.D.F.
WOOD	#8(MIN) APPROPRIATE SCREW
LIGHT GAUGE METAL FRAMING	#10-16 SCREWS



F1202 JOIST LAP — END-TO-END W/SPLICE BLOCK
   
 ClarkDietrich TradeReady Floor Joist System