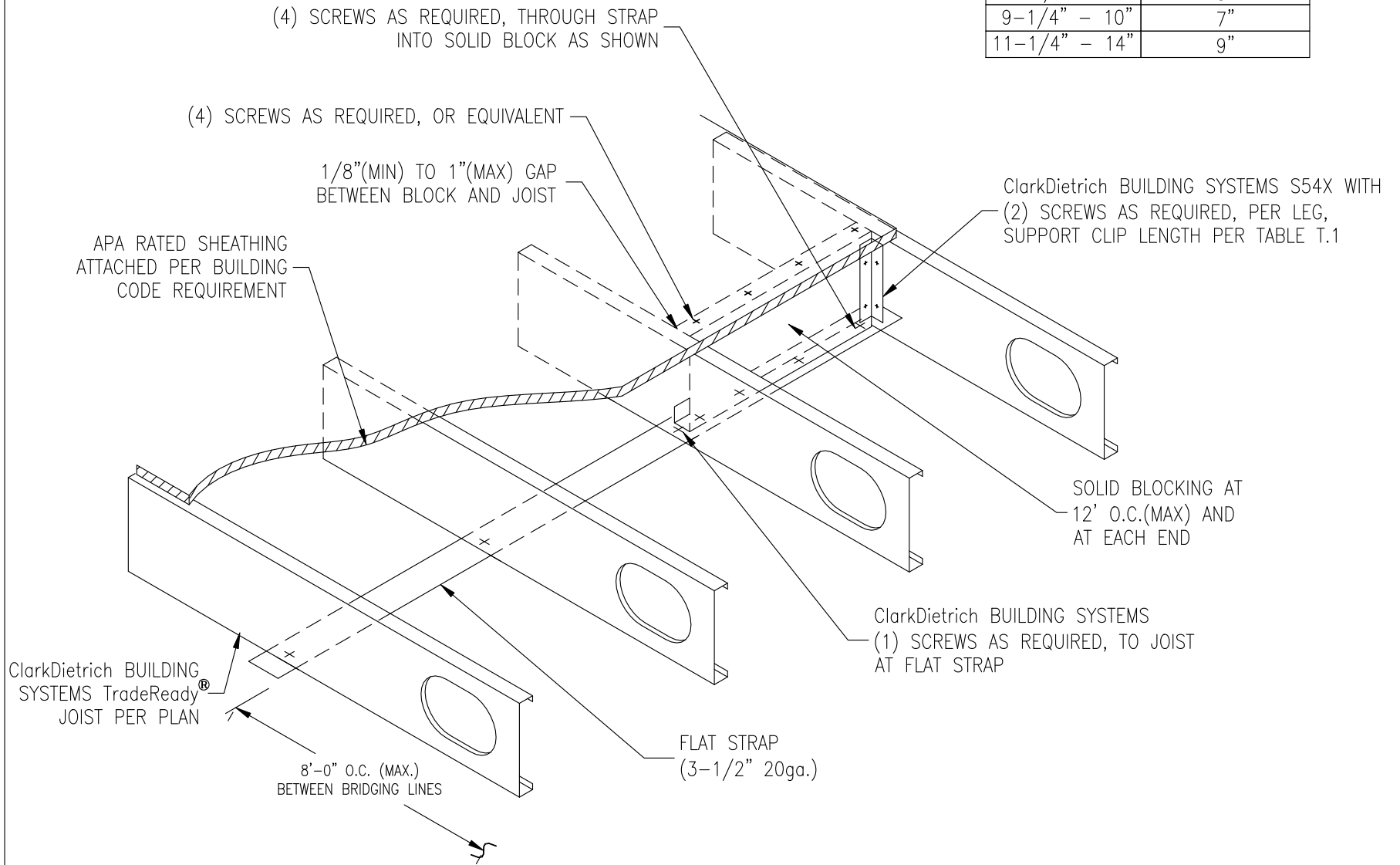


TABLE T.1

| JOIST DEPTH | CLIP LENGTH (X) |
|---------------|-----------------|
| 7-1/4" - 8" | 5" |
| 9-1/4" - 10" | 7" |
| 11-1/4" - 14" | 9" |



F2107

JOIST BRIDGING – TENSION STRAP

 ClarkDietrich TradeReady Floor System