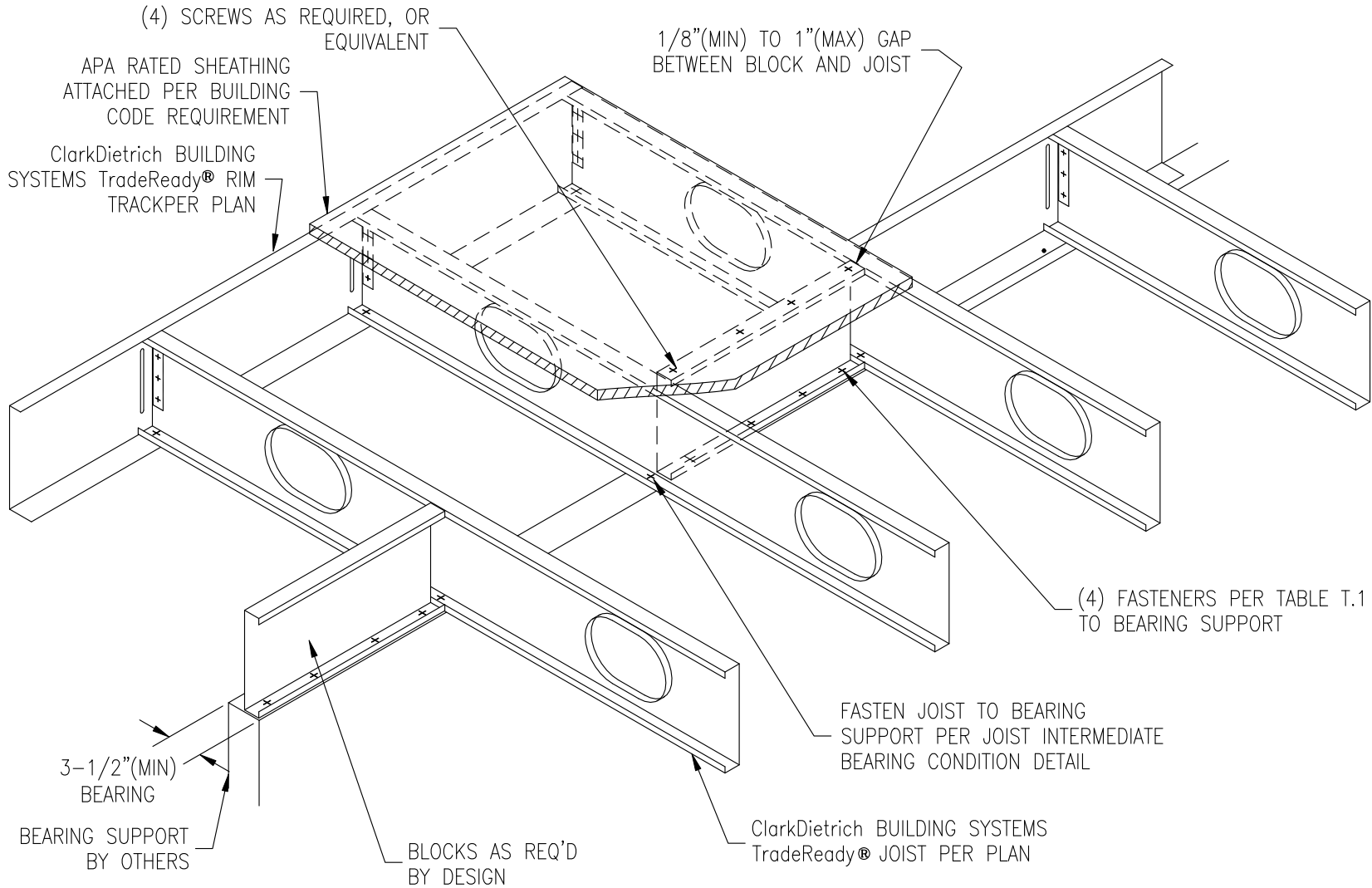


TABLE T.1

SUPPORT TYPE	SUGGESTED FASTENER
STRUCTURAL STEEL, CONCRETE, OR CMU BEARING	0.145"Ø P.D.F.
WOOD	#8(MIN) APPROPRIATE SCREW
LIGHT GAUGE METAL FRAMING	#10-16 SCREWS



F2105 **JOIST BRIDGING – SOLID BLOCKING AT CANTILEVER**
 ClarkDietrich TradeReady Floor Joist System