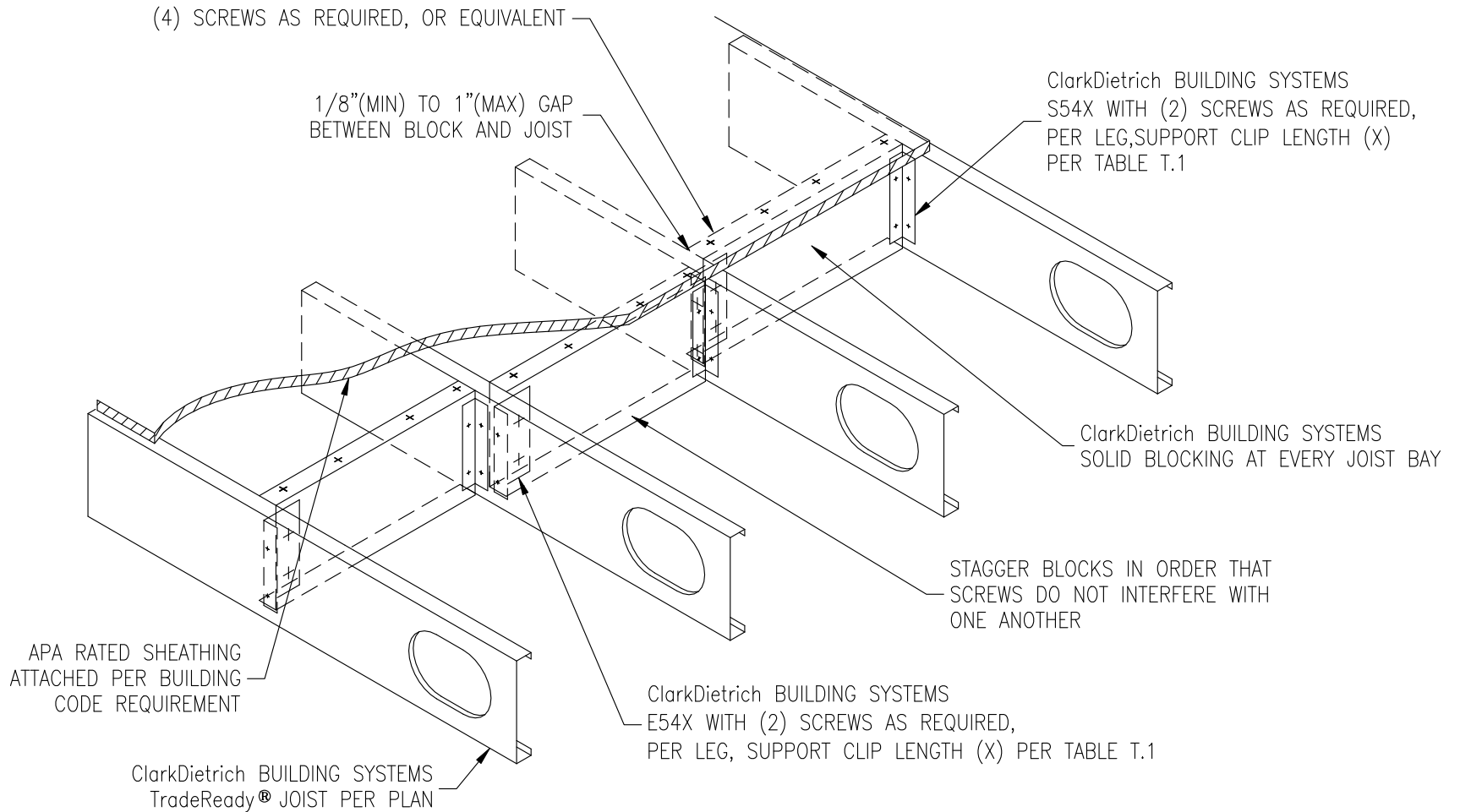


TABLE T.1

JOIST DEPTH	CLIP LENGTH (X)
7-1/4" - 8"	5"
9-1/4" - 10"	7"
11-1/4" - 14"	9"



F2104

JOIST BRIDGING – SOLID BLOCKING

ClarkDietrich TradeReady Floor Joist System