



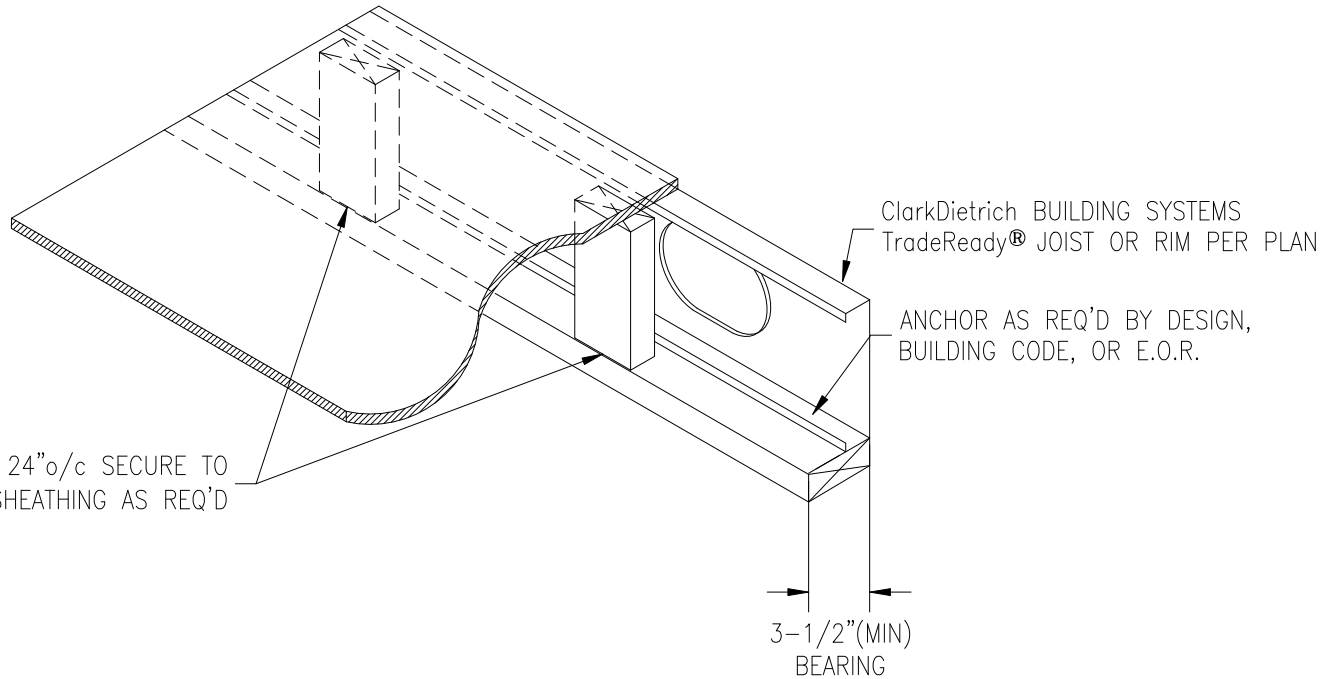
ClarkDietrich
BUILDING SYSTEMS
9100 Centre Pointe Dr. West Chester, OH 45088
Suite 210 Phone: (613) 870-9100

Engineering Services: (877) 832-3206

TradeReady® FLOOR DETAILS

Technical Services: (888) 437-3244

DRAWING:
F1120



2" X 4" WOOD BLOCKS @ 24"o/c SECURE TO BEARING/SHEATHING AS REQ'D

3-1/2"(MIN)
BEARING

F1120 JOIST — RIM — FRAMING PARALLEL TO WALL

ClarkDietrich TradeReady Floor Joist System