

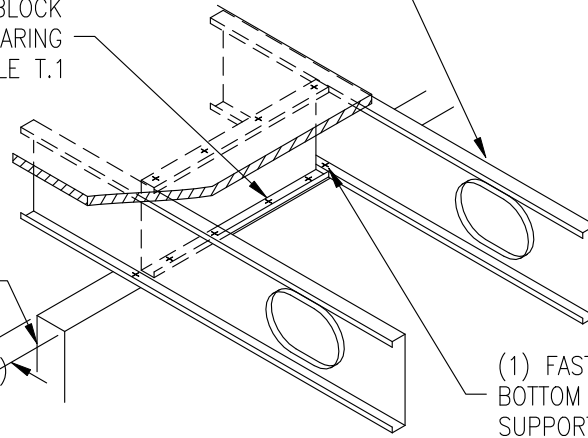
ClarkDietrich BUILDING SYSTEMS
TradeReady® JOIST PER PLAN

TABLE T.1

SUPPORT TYPE	SUGGESTED FASTENER
STRUCTURAL STEEL, CONCRETE OR CMU BEARING	0.145"Ø P.D.F.
WOOD	#8(MIN) APPROPRIATE SCREW
LIGHT GAUGE METAL FRAMING	#10-16 SCREWS

(4) FASTENERS THROUGH BLOCK BOTTOM FLANGE TO BEARING SUPPORT PER TABLE T.1

BEARING SUPPORT BY OTHERS
3-1/2"(MIN) BEARING



(1) FASTENER THROUGH JOIST BOTTOM FLANGE TO BEARING SUPPORT PER TABLE T.1

OPTION 1-DIRECT JOIST/BLOCK ATTACHMENT

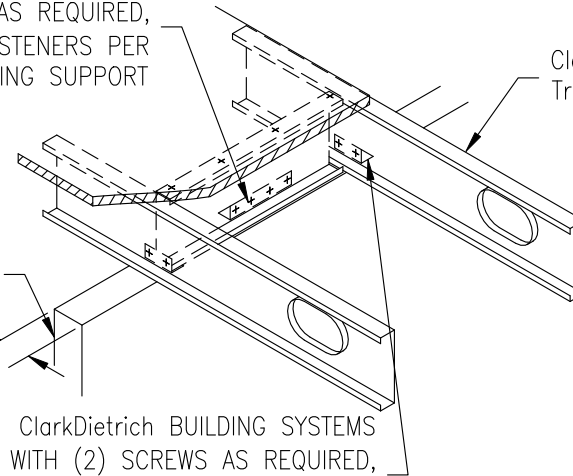
NOTES:

- 1) ATTACH SHEATHING TO BLOCKING W/(4) #8 SCREWS OR EQUIVALENT.
- 2) BLOCK LENGTH SHALL BE 1/8" (MIN.) TO 1" (MAX.) SHORTER THAN JOIST SPACE.
- 3) SPACE BLOCKS @ 12'o.c. (MAX.), AND EA. END OF JOIST RUN.

ClarkDietrich BUILDING SYSTEMS
S547 WITH (4) SCREWS AS REQUIRED, TO BLOCK AND (4) FASTENERS PER TABLE T.1 TO BEARING SUPPORT

ClarkDietrich BUILDING SYSTEMS
TradeReady® JOIST PER PLAN

BEARING SUPPORT BY OTHERS
3-1/2"(MIN) BEARING



ClarkDietrich BUILDING SYSTEMS
S543 WITH (2) SCREWS AS REQUIRED, TO JOIST AND (1) FASTENER PER TABLE T.1 TO BEARING SUPPORT

OPTION 2-JOIST/BLOCK ATTACHMENT WITH CLIPS

F1220

INT. JOIST BEARING – STANDARD

ClarkDietrich TradeReady Floor Joist System