



ClarkDietrich
BUILDING SYSTEMS

9100 Centre Pointe Dr. West Chester, OH 45088
Suite 210 Phone: (613) 870-9100

TradeReady® FLOOR DETAILS

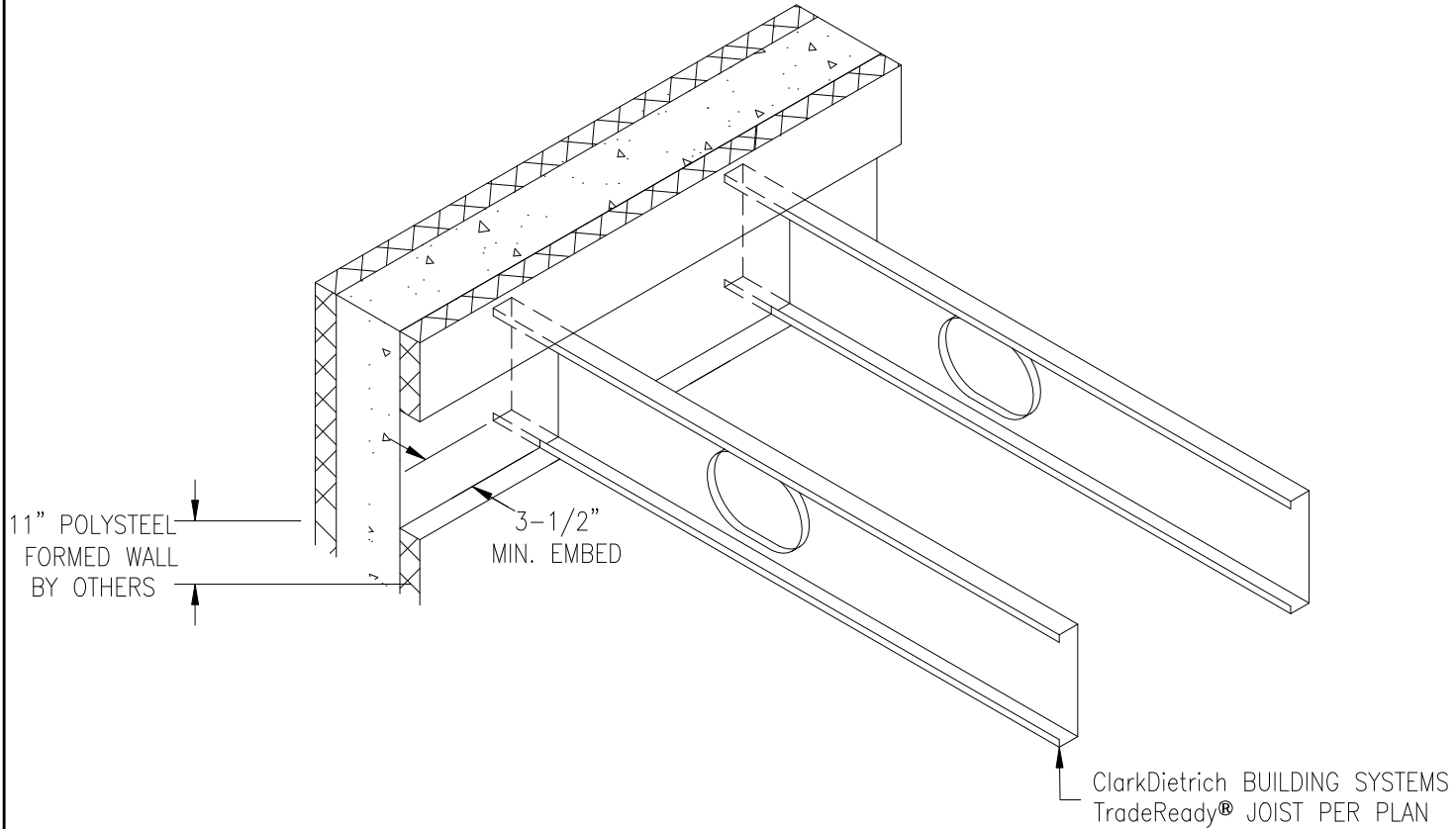
Engineering Services: (877) 832-3206

Technical Services: (888) 437-3244

DRAWING:
F1153

WARNING

UNDER SERVICE CONDITIONS, ICF WALL MUST BE FREE FROM MOISTURE @ JOIST BEARING, OTHERWISE JOIST CORROSION MAY OCCUR.



F1153

ICF — EMBEDDED JOISTS

ClarkDietrich TradeReady Floor Joist System