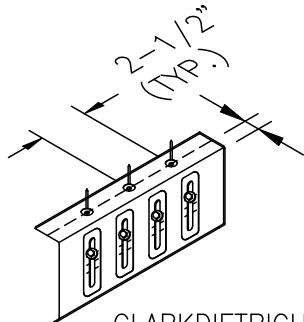


ENGINEER OF RECORD:  
PLEASE VERIFY TORSIONAL  
STABILITY OF BEAM.

CONTINUOUS STRL  
STEEL BY OTHERS

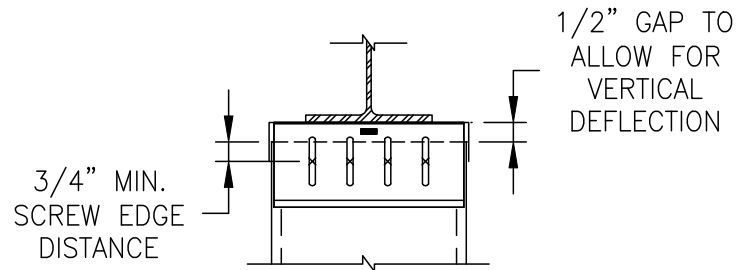
ELEV. VIEW



CLARKDIETRICH FTC10 WITH  
(4) PROPRIETARY SCREWS AT TOP  
SCORELINE TO STUD AND ATTACHED TO  
STRL STEEL AS REQUIRED BY DESIGN

CLARKDIETRICH BUILDING  
SYSTEMS TYPICAL STUD

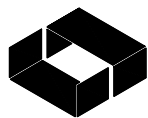
ENGINEER OF RECORD:  
VERIFY GAP DEPTH.



ELEV. VIEW

0" to 3/4" GAP = TOP SCORELINE  
> 3/4" to 1-1/4" MAX. = MIDDLE SCORELINE  
> 1-1/4" to 1-1/2" MAX. = BOTTOM SCORELINE

## FAST TOP CLIPS (FTC10)-STEEL



**ClarkDietrich.**  
BUILDING SYSTEMS

Engineering Services: (877) 832-3206

Technical Services: (888) 437-3244

The CAD detail library is intended to provide general framing details only and does not replace the judgments and designs of a qualified architect and/or engineer. The details are provided as a starting tool to assist the user in creating and detailing cold-formed steel framing construction details. Each detail including accompanying text must be thoroughly evaluated and approved by a qualified architect or engineer.

Find over 500 CAD details at [cad.clarkdietrich.com](http://cad.clarkdietrich.com)

© Copyright 2019 ClarkDietrich