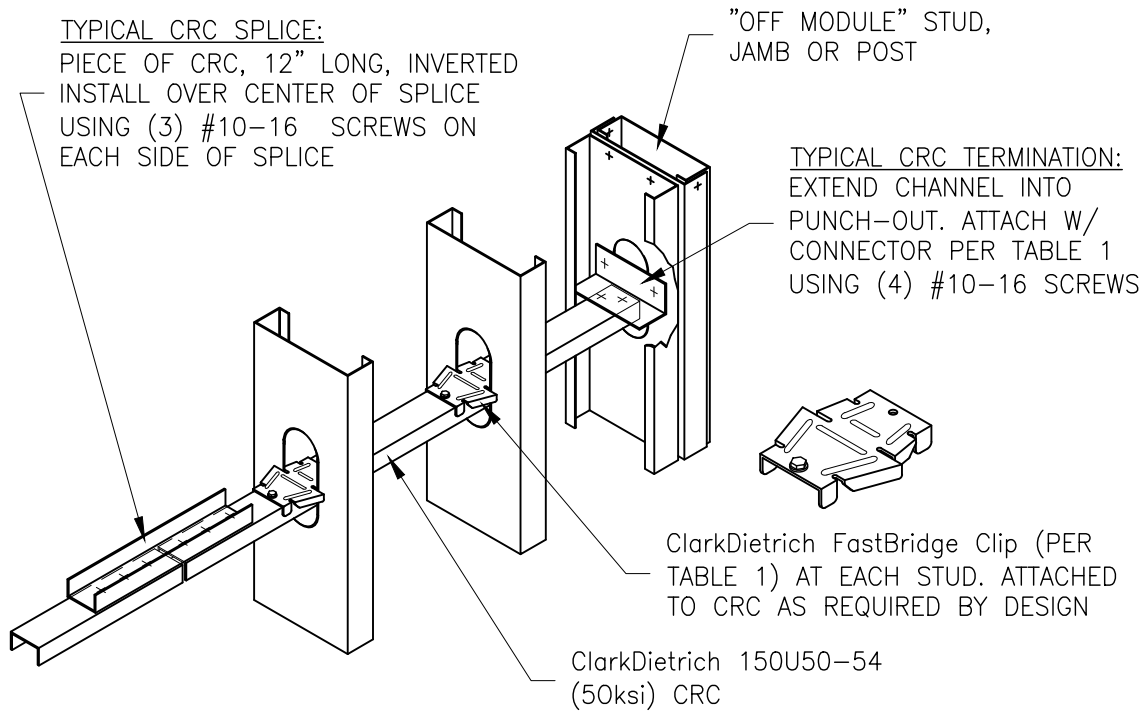


TABLE 1	
STUD DEPTH	CONNECTOR
3-5/8"	ClarkDietrich SwiftClip LS543
6"	ClarkDietrich SwiftClip LS545
8"	ClarkDietrich SwiftClip LS547
OTHER	1-1/2" x 1-1/2" x 16GA. (50ksi) CLIP ANGLE, LENGTH: 1/2" LESS THAN STUD DEPTH

TABLE 2	
STUD THICKNESS	CONNECTOR
33 - 43 MIL	ClarkDietrich FB-43
54 - 97 MIL	ClarkDietrich FB-68



THIS DETAIL IS NOT SUITABLE FOR
WALL STUDS DEEPER THAN 8"

FastBridge LATERAL BRACING 2

Using ClarkDietrich's FastBridge Clip



Engineering Services: (877) 832-3206

Technical Services: (888) 437-3244

The CAD detail library is intended to provide general framing details only and does not replace the judgments and designs of a qualified architect and/or engineer. The details are provided as a starting tool to assist the user in creating and detailing cold-formed steel framing construction details. Each detail including accompanying text must be thoroughly evaluated and approved by a qualified architect or engineer. | Find over 500 CAD details at cad.clarkdietrich.com | © Copyright 2020 ClarkDietrich