

CUT FLANGE AND BEND WEB TO FORM
 CORNER, OR USE 2 SEPARATE RIM
 PIECES AND FASTEN TradeReady® RIM TRACK SPLICE PLATE
 W/ (3) SCREWS AS REQUIRED, AT EACH CLIP LEG

ClarkDietrich BUILDING SYSTEMS
 TradeReady® RIM TRACK SPLICE
 PLATE WITH (3) SCREWS
 AS REQUIRED, PER LEG

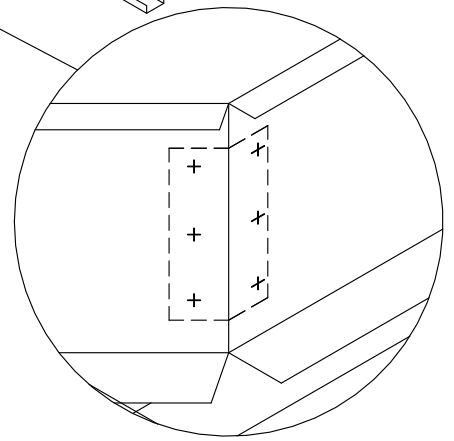
ClarkDietrich BUILDING SYSTEMS
 TradeReady® RIM TRACK

(1) SCREWS AS REQUIRED, TO
 TOP AND BOTTOM FLANGE
 ClarkDietrich BUILDING
 SYSTEMS TradeReady® RIM
 TRACK PER PLAN

ClarkDietrich BUILDING SYSTEMS
 TradeReady® JOIST PER PLAN

3-1/2" (MIN)
 BEARING

BEARING SUPPORT
 BY OTHERS



F1241 **CANTILEVER — SKEWED RIM**
 ClarkDietrich TradeReady Floor Joist System