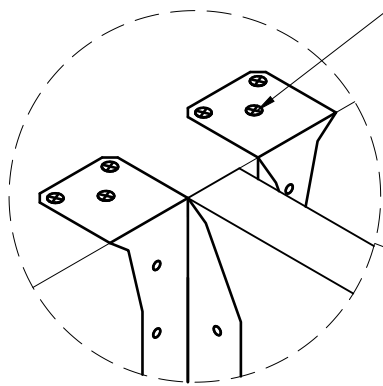
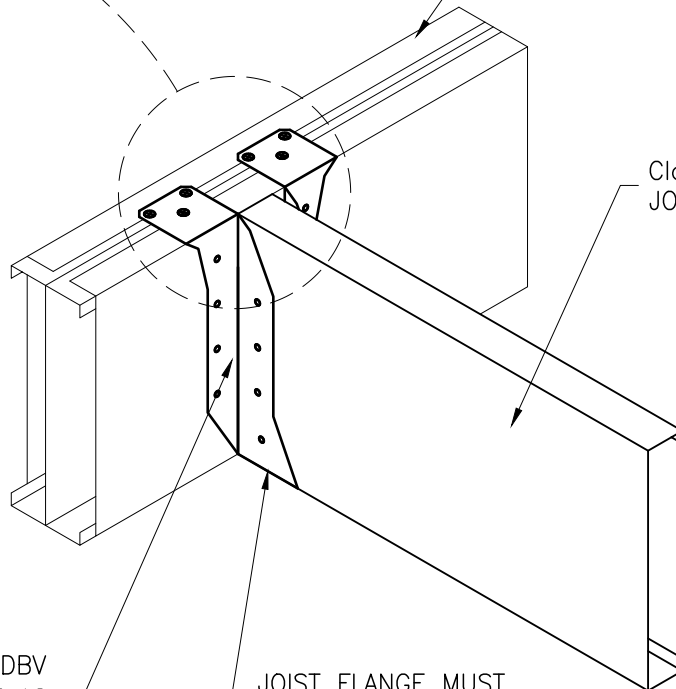


ATTACH BRIDLE HANGER TO CFS  
HEADER W/ SCREWS. SIZE &  
QUANTITY AS REQ'D BY DESIGN



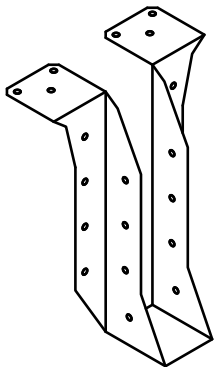
VIEW FROM TOP

CFS HEADER AS REQ'D  
BY DESIGN



ClarkDietrich FLOOR  
JOIST PER PLAN

JOIST FLANGE MUST  
REST ON BOTTOM OF  
BRIDLE HANGER



ClarkDietrich BRIDLE  
HANGERS ARE AVAILABLE  
IN 68 MILS (14GA) OR  
97 MILS (12GA)

ClarkDietrich BRIDLE HANGER (CDBV  
& CDMB). ATTACH TO JOIST AS  
REQ'D BY DESIGN AND ATTACHED TO  
CFS HEADER AS REQ'D BY DESIGN.

## BRIDLE JOIST HANGER CDBV, CDMB — 3

ATTACHED TO CFS HEADER WITH SCREWS



Engineering Services: (877) 832-3206

Technical Services: (888) 437-3244

The CAD detail library is intended to provide general framing details only and does not replace the judgments and designs of a qualified architect and/or engineer. The details are provided as a starting tool to assist the user in creating and detailing cold-formed steel framing construction details. Each detail including accompanying text must be thoroughly evaluated and approved by a qualified architect or engineer. | Find over 500 CAD details at [cad.clarkdietrich.com](http://cad.clarkdietrich.com) | © Copyright 2020 ClarkDietrich