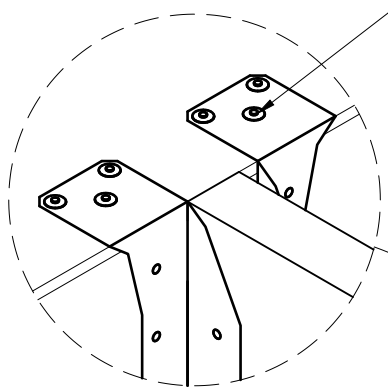


ATTACH BRIDLE HANGER TO BEAM
W/ PAF (POWER-ACTUATED
FASTENERS). SIZE & QUANTITY
AS REQ'D BY DESIGN

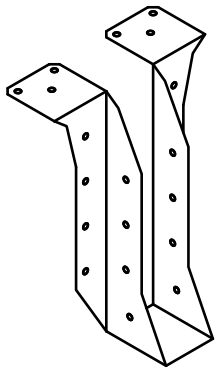
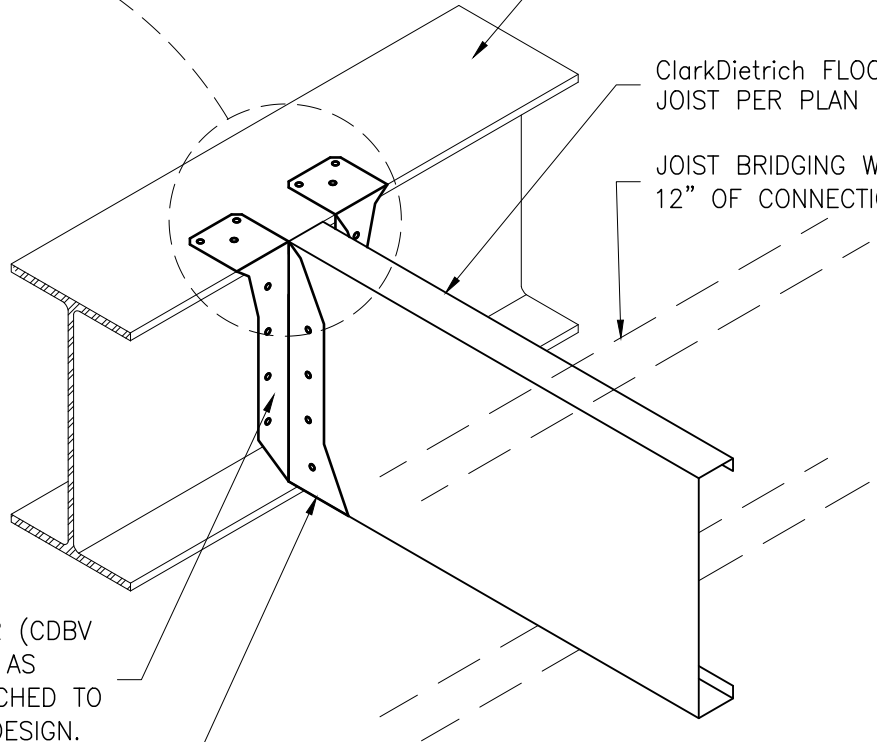


VIEW FROM TOP

STRUCTURAL BEAM
BY OTHERS

ClarkDietrich FLOOR
JOIST PER PLAN

JOIST BRIDGING WITHIN
12" OF CONNECTION



ClarkDietrich BRIDLE
HANGERS ARE AVAILABLE
IN 68 MILS (14GA) OR
97 MILS (12GA)

ClarkDietrich BRIDLE HANGER (CDBV
& CDMB). ATTACH TO JOIST AS
REQ'D BY DESIGN AND ATTACHED TO
STEEL BEAM AS REQ'D BY DESIGN.

JOIST FLANGE MUST REST ON BOTTOM
OF BRIDLE HANGER

BRIDLE JOIST HANGER CDBV, CDMB - 2

ATTACHED TO STEEL BEAM WITH PAFs



Engineering Services: (877) 832-3206

Technical Services: (888) 437-3244

The CAD detail library is intended to provide general framing details only and does not replace the judgments and designs of a qualified architect and/or engineer. The details are provided as a starting tool to assist the user in creating and detailing cold-formed steel framing construction details. Each detail including accompanying text must be thoroughly evaluated and approved by a qualified architect or engineer. | Find over 500 CAD details at cad.clarkdietrich.com | © Copyright 2020 ClarkDietrich