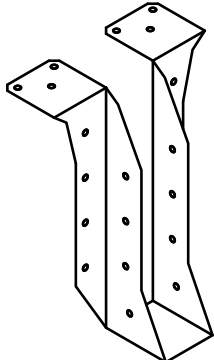
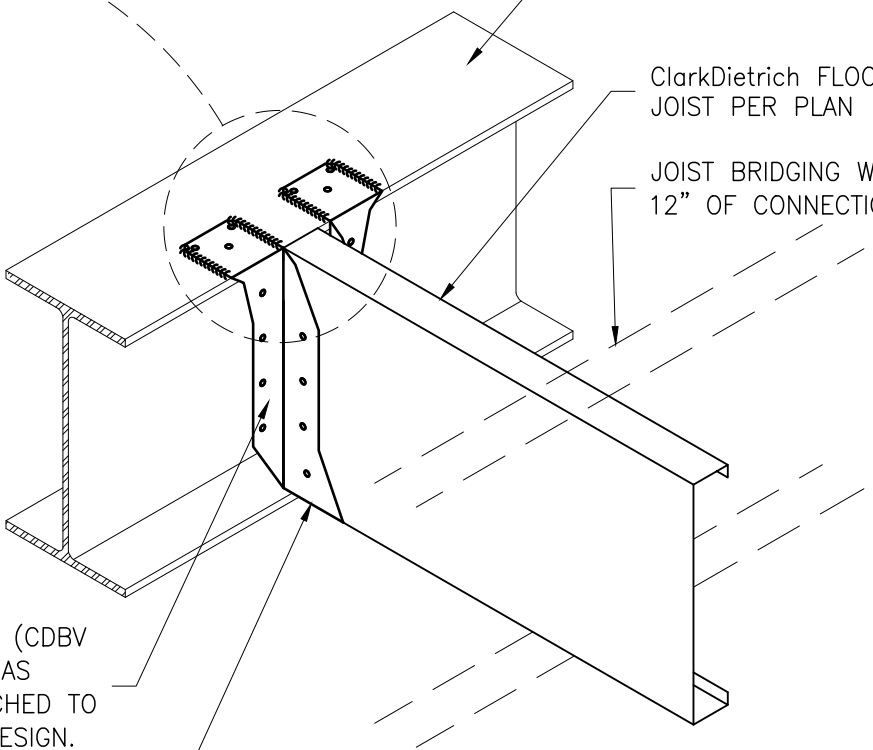


WELD CLIP TO TOP  
FLANGE OF BEAM W/ 2"  
FILLET WELD EACH SIDE  
OF CLIP FLANGE

STRUCTURAL BEAM  
BY OTHERS

ClarkDietrich FLOOR  
JOIST PER PLAN

JOIST BRIDGING WITHIN  
12" OF CONNECTION



ClarkDietrich BRIDLE  
HANGERS ARE AVAILABLE  
IN 68 MILS (14GA) OR  
97 MILS (12GA)

ClarkDietrich BRIDLE HANGER (CDBV  
& CDMB). ATTACH TO JOIST AS  
REQ'D BY DESIGN AND ATTACHED TO  
STEEL BEAM AS REQ'D BY DESIGN.

JOIST FLANGE MUST REST ON BOTTOM  
OF BRIDLE HANGER

BRIDLE JOIST HANGER CDBV, CDMB — 1  
WELDED CONNECTION TO STEEL BEAM



Engineering Services: (877) 832-3206

Technical Services: (888) 437-3244

The CAD detail library is intended to provide general framing details only and does not replace the judgments and designs of a qualified architect and/or engineer. The details are provided as a starting tool to assist the user in creating and detailing cold-formed steel framing construction details. Each detail including accompanying text must be thoroughly evaluated and approved by a qualified architect or engineer. | Find over 500 CAD details at [cad.clarkdietrich.com](http://cad.clarkdietrich.com) | © Copyright 2020 ClarkDietrich