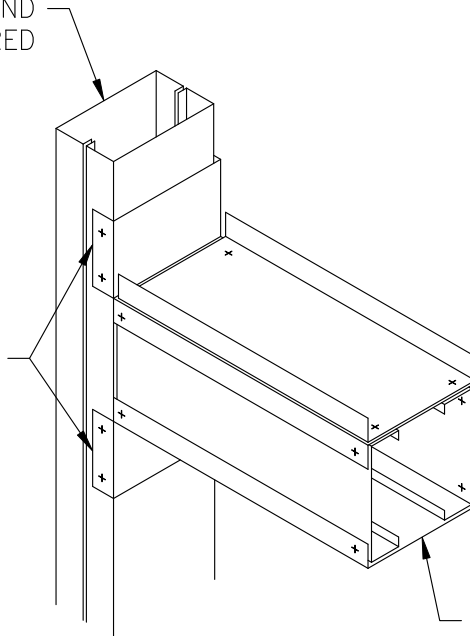


ClarkDietrich BUILDING SYSTEMS
JAMB, SIZE AND
GAGE AS REQUIRED

CUT FLANGE AND BEND
WEB TO FORM AN OVERLAP.
FASTEN EACH SIDE AS
REQUIRED



ClarkDietrich BUILDING SYSTEMS
BOXED HEADER, SIZE
AND GAGE AS REQUIRED

BOXED HEADER CONNECTION 5



ClarkDietrich
BUILDING SYSTEMS

Engineering Services: (877) 832-3206

Technical Services: (888) 437-3244

The CAD detail library is intended to provide general framing details only and does not replace the judgments and designs of a qualified architect and/or engineer. The details are provided as a starting tool to assist the user in creating and detailing cold-formed steel framing construction details. Each detail including accompanying text must be thoroughly evaluated and approved by a qualified architect or engineer. | Find over 500 CAD details at cad.clarkdietrich.com | © Copyright 2015 ClarkDietrich Building Systems