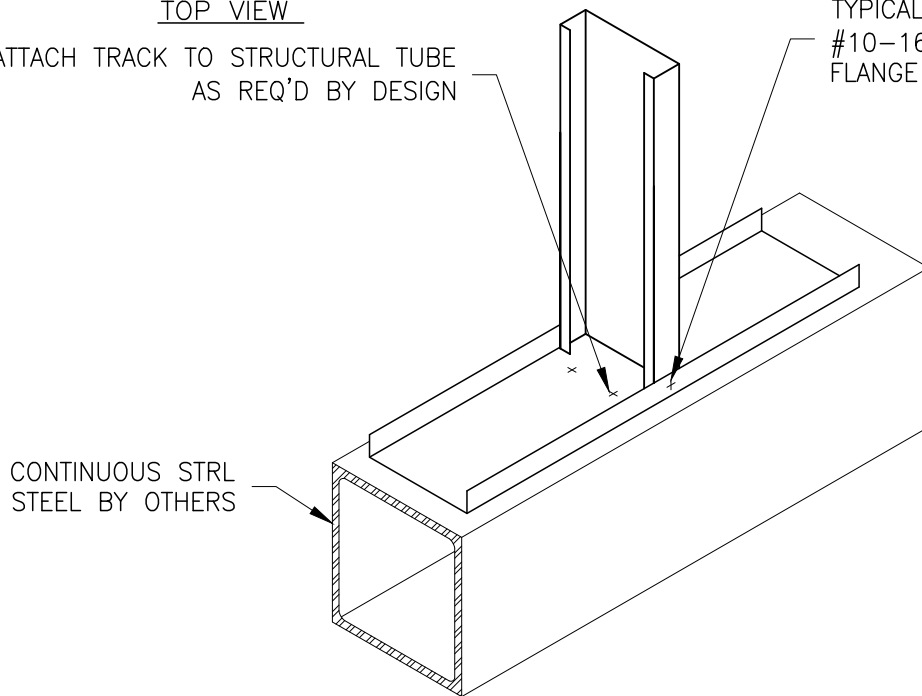


TOP VIEW

ATTACH TRACK TO STRUCTURAL TUBE  
AS REQ'D BY DESIGN

TYPICAL TRACK W/(1)  
#10-16 SCREW PER STUD  
FLANGE



## BASE CONNECTION TO TUBE STEEL



Engineering Services: (877) 832-3206

Technical Services: (888) 437-3244

The CAD detail library is intended to provide general framing details only and does not replace the judgments and designs of a qualified architect and/or engineer. The details are provided as a starting tool to assist the user in creating and detailing cold-formed steel framing construction details. Each detail including accompanying text must be thoroughly evaluated and approved by a qualified architect or engineer. | Find over 500 CAD details at [cad.clarkdietrich.com](http://cad.clarkdietrich.com) | © Copyright 2020 ClarkDietrich