


002
PCB TERMINAL
BLOCKS081
TERMINAL STRIPS095
WIRE TO BOARD
CONNECTORS100
CIRCULAR
CONNECTORS151
IP68 CONNECTORS158
INTERFACE
MODULES AND
RELAY BASES

3.81mm pitch pluggable screwless terminal blocks

Product overview

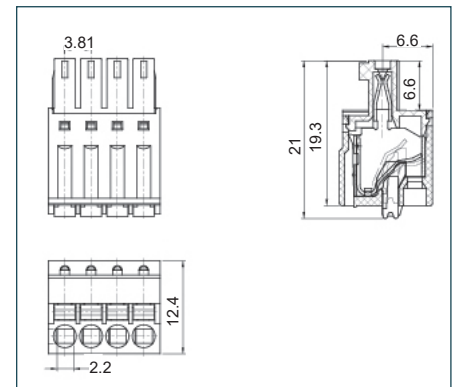
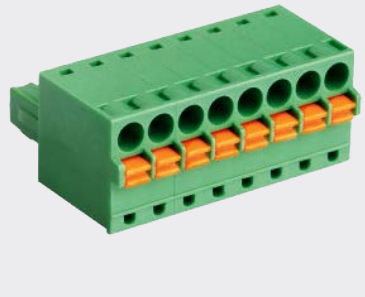
- 2-12 pole solid block
- Screwless connection
- Moulded in green UL94-V0 flame retardant PA66
- Cable acceptance - 0.08 to 1.31mm² (28-16 AWG) solid and stranded cable
- Compatible with all 3.81mm pluggable male headers
- Pluggable female connectors
-  approved

SPECIFICATION

Rating	UL=8A/300V, IEC=10A/250V
Insulation resistance	500M Ω /500V
Withstand voltage	AC2000V/1min
Contact resistance	20m Ω (max)
Working temperature	-40°C to +105°C
Moulding	UL94-V0, flame retardant PA66
Spring	Stainless steel
Contact	Bronze, Ni plated

PART NO.	POLES	LENGTH
/2	2	8.41mm
CSTBP92HE/3	3	12.22mm
CSTBP92HE/4	4	16.03mm
CSTBP92HE/5	5	19.84mm
CSTBP92HE/6	6	23.65mm
CSTBP92HE/7	7	27.46mm
CSTBP92HE/8	8	31.27mm
CSTBP92HE/9	9	35.08mm
CSTBP92HE/10	10	38.89mm
CSTBP92HE/11	11	42.7mm
CSTBP92HE/12	12	46.51mm

CSTBP92HE



ASSOCIATED PRODUCTS

CSTBP92HE mates with male terminal blocks CTB93HE and CTBP93VE.

CTBP93HE - page 61

CTBP93VE - page 61