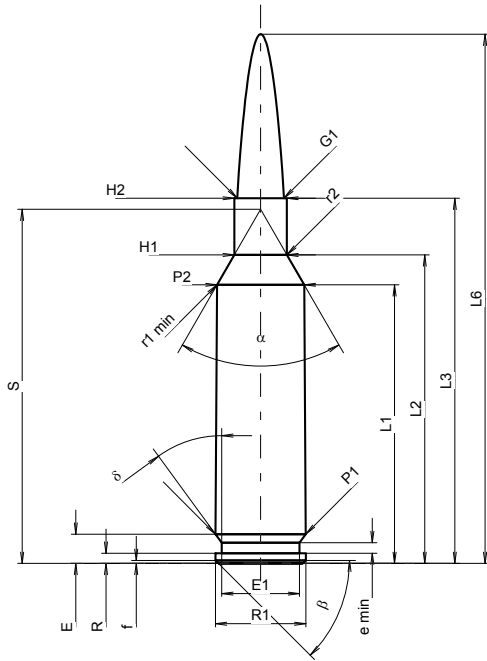


C.I.P.

6 XC

TAB. I
Date 08-04-15

Country of Origin: SE

Revision

CARTRIDGE MAXI
Lengths

L1 ¹⁾	=	36.85	-0.20
L2 ¹⁾	=	40.81	-0.20
L3 ¹⁾	=	48.30	
L4	=		
L5	=		
L6	=	70.00	

Case Head

R	=	1.35	
R1	=	11.95	
R3	=		
E	=	3.86	
E1	=	10.30	
e min	=	1.40	
delta	=	36°	
f	=	0.40	
beta	=	45°	

Powder Chamber

P1	=	11.92	
P2 ¹⁾ *	=	11.53	-0.20

Junction Cone

alpha *	=	60°	
S *	=	46.84	
r1 min	=	1.00	
r2	=	1.50	

Collar

H1 *	=	6.96	
H2 ¹⁾	=	6.96	

Projectile

G1 ¹⁾	=	6.18	
G2	=		
F	=		
L3+G ¹⁾	=	57.87	

Pressures (Energies)
Method Transducer

Pmax	=	4400 bar	
PK	=	5060 bar	
PE	=	5500 bar	
M	=	25.00	
EE	=	3080 Joule	

Miscellaneous Dimensions

Fe ¹⁾³⁾	=	0.10	
delta L	=		

CHAMBER MINI
Lengths

L1	=	36.85	
L2	=	40.81	
L3 ¹⁾	=	48.54	

Breech

R	=		
R1	=	11.98	
R2	=		
R3	=		
r	=		

Powder Chamber

E	=	3.83	
P1 ¹⁾	=	11.94	
P2 *	=	11.56	

Junction Cone

alpha ¹⁾ *	=	60°	
S *	=	46.86	
r1 max	=		
r2	=	1.52	

Collar

H1 *	=	6.98	
H2 ¹⁾	=	6.98	

Commencement of Rifling

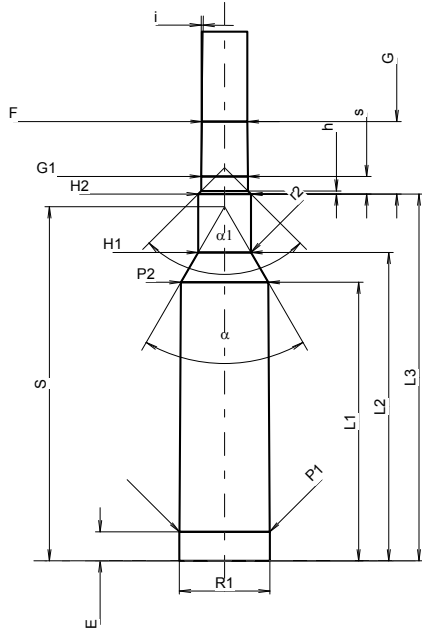
G1 ¹⁾ *	=	6.19	
G ¹⁾	=	9.57	
alpha 1 *	=	90°	
h	=	0.39	
s	=	2.31	
i ¹⁾ *	=	0°45'	
w	=		

Barrel

F ¹⁾ *	=	6.00	
Z ¹⁾	=	6.20	

Grooves

b	=	2.29	
N	=	4	
u	=	203.20	
Q	=	29.21	mm ²



Scale 1:1

 Dimensions in << mm >>
 Dimensions and Tolerances for Proof Barrels
 see Appendix CR 1.

 Notes: 1) Check for safety reasons
 3) Headspace on Shoulder
 * Basic dimensions