

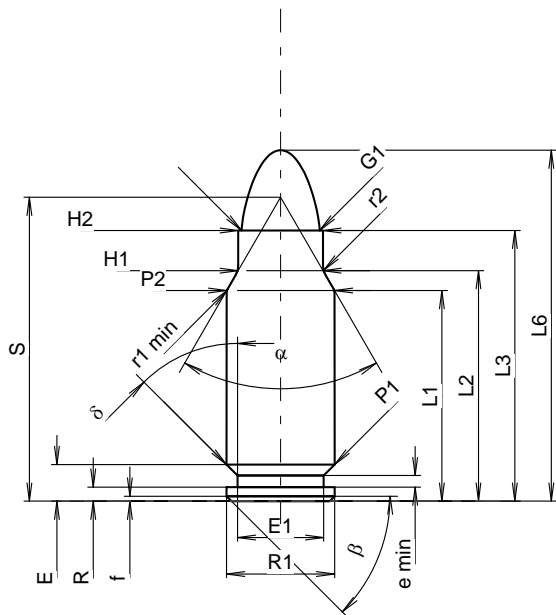
**C.I.P.****7,5 FK**

TAB. IV

Date 15-05-19

Country of Origin: CZ

Revision 17-05-17

**CARTRIDGE MAXI****Lengths**

L1 <sup>1)</sup>	=	21.01	-0.20
L2 <sup>1)</sup>	=	23.00	-0.20
L3 <sup>1)</sup>	=	27.00	
L4	=		
L5	=		
L6	=	35.00	

**Case Head**

R	=	1.40	
R1	=	10.80	
R3	=		
E	=	3.65	
E1	=	8.60	
e min	=	1.15	
delta	=	45°	
f	=	0.50	
beta	=	45°	

**Powder Chamber**

P1	=	10.80	
P2 <sup>1)</sup> *	=	10.75	-0.15

**Junction Cone**

alpha *	=	60°	
S *	=	30.31	
r1 min	=	0.50	
r2	=	2.00	

**Collar**

H1 *	=	8.45	
H2 <sup>1)</sup>	=	8.45	

**Projectile**

G1 <sup>1)</sup>	=	7.80	
G2	=		
F	=		
L3+G <sup>1)</sup>	=	33.57	

**Pressures (Energies)****Method Transducer**

Pmax	=	3500 bar	
PK	=	4025 bar	
PE	=	4550 bar	
M	=	17.50	

**Miscellaneous Dimensions**

Fe <sup>1)3)</sup>	=	0.20	
delta L	=	0.02	

**CHAMBER MINI****Lengths**

L1	=	20.98	
L2	=	22.92	
L3 <sup>1)</sup>	=	27.20	

**Breech**

R	=		
R1	=	10.90	
R2	=		
R3	=		
r	=		

**Powder Chamber**

E	=	3.30	
P1 <sup>1)</sup>	=	10.90	
P2 *	=	10.80	

**Junction Cone**

alpha <sup>1)</sup> *	=	60°	
S *	=	30.33	
r1 max	=	0.50	
r2	=	1.00	

**Collar**

H1 *	=	8.56	
H2 <sup>1)</sup>	=	8.53	

**Commencement of Rifling**

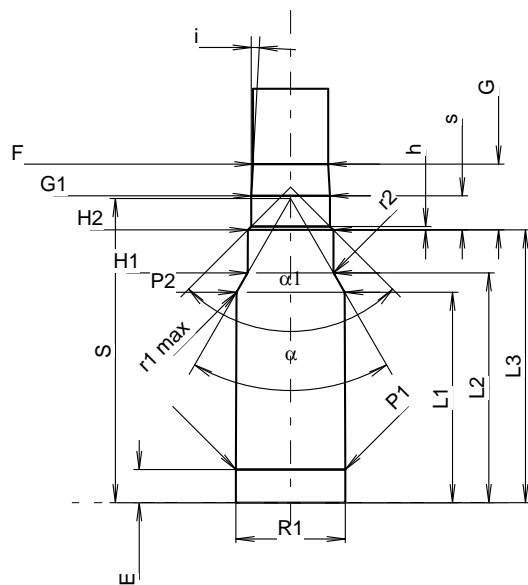
G1 <sup>1)</sup> *	=	7.85	
G <sup>1)</sup>	=	6.57	
alpha l	=	90°	
h	=	0.34	
s *	=	3.40	
i <sup>1)</sup> *	=	3°04'11"	
w	=		

**Barrel**

F <sup>1)</sup> *	=	7.51	
Z <sup>1)</sup>	=	7.77	

**Grooves**

b	=	3.75	
N	=	4	
u	=	270.00	
Q	=	46.33	mm <sup>2</sup>



Scale 1.33:1

Dimensions in << mm >>  
Dimensions and Tolerances for Proof Barrels  
see Appendix CR1.

Notes: 1) Check for safety reasons  
3) Headspace on Shoulder  
\* Basic dimensions